



US00D742706S

(12) **United States Design Patent**
Sui

(10) **Patent No.:** **US D742,706 S**

(45) **Date of Patent:** **** Nov. 10, 2015**

(54) **WRENCH**

(71) Applicant: **Yongming Sui**, Ontario, CA (US)

(72) Inventor: **Yongming Sui**, Ontario, CA (US)

(73) Assignee: **Field Sport Inc.**, Ontario, CA (US)

(**) Term: **14 Years**

(21) Appl. No.: **29/504,079**

(22) Filed: **Oct. 1, 2014**

(51) **LOC (10) Cl.** **08-05**

(52) **U.S. Cl.**

USPC **D8/21; D8/17**

(58) **Field of Classification Search**

USPC D8/17, 21-29; 81/60, 177.1, 177.85,
81/121.1, 124.3, 165-170, 110.1, 176.2,
81/124.6, 176.1, 176.15, 177.2; 16/110.1;
D15/144.1; 219/75, 227, 229, 121.16,
219/121.18

CPC B25B 13/00

See application file for complete search history.

(56) **References Cited**

U.S. PATENT DOCUMENTS

5,247,715 A * 9/1993 Nishiguchi 7/138
D418,727 S * 1/2000 Hsieh D8/28

D445,655 S * 7/2001 Maddox D8/17
D456,226 S * 4/2002 Doshay D8/26
D464,239 S * 10/2002 Hamlin D8/27
D467,777 S * 12/2002 Van Horn et al. D8/27
D473,436 S * 4/2003 Pilatzke et al. D8/28
6,637,299 B1 * 10/2003 Steele 81/124.5
D548,552 S * 8/2007 Elkaim D8/17
D564,316 S * 3/2008 Elkaim D8/17
D598,723 S * 8/2009 Cheng D8/17
D601,393 S * 10/2009 Cui D8/17

* cited by examiner

Primary Examiner — Randall Gholson

(74) *Attorney, Agent, or Firm* — Che-Yang Chen; Law Office of Michael Chen

(57) **CLAIM**

The ornamental design for a wrench, as shown and described.

DESCRIPTION

FIG. 1 is a perspective view of a wrench showing my new design;

FIG. 2 is a front elevational view thereof;

FIG. 3 is a rear elevational view thereof;

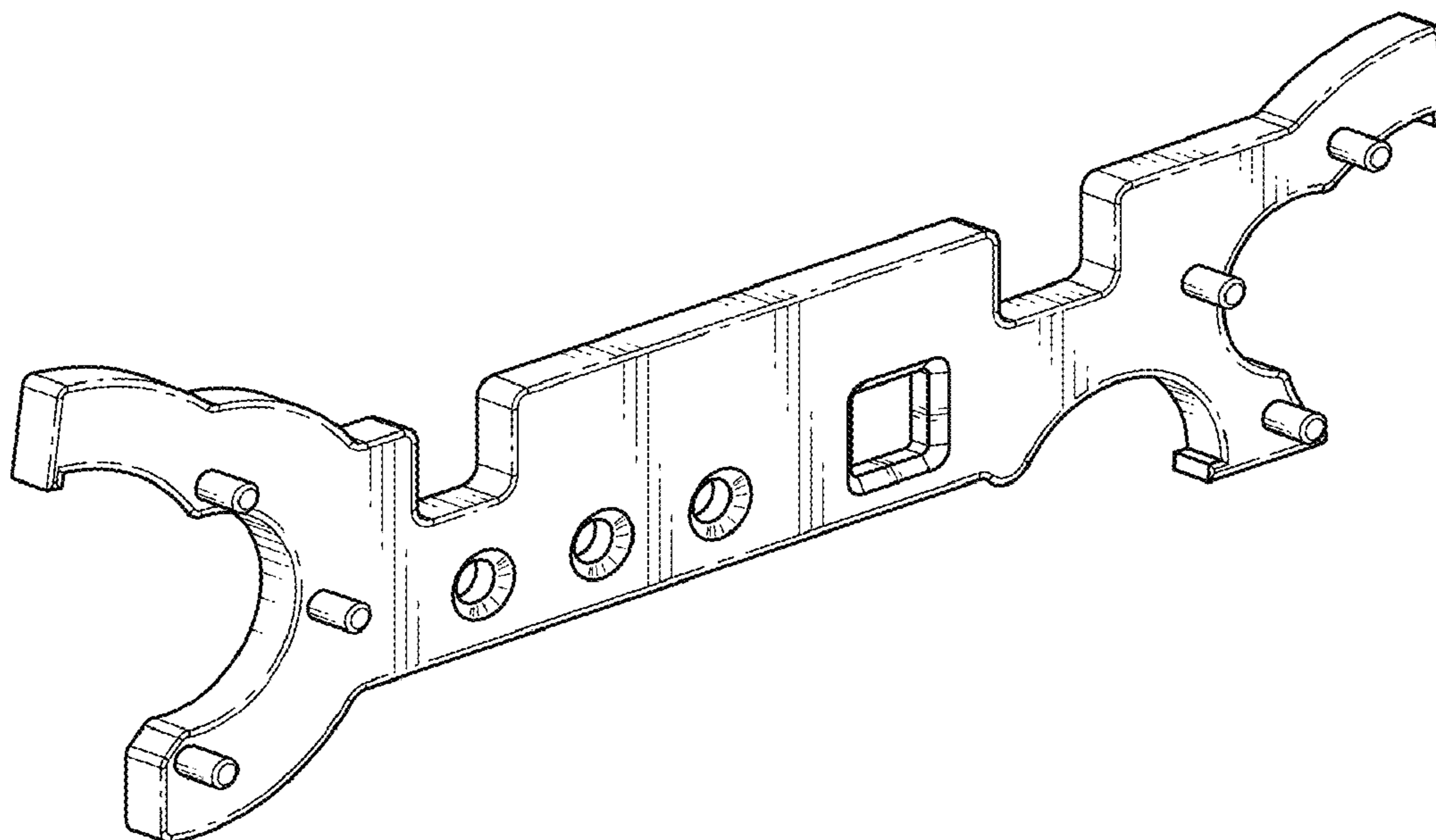
FIG. 4 is a left side elevational view thereof;

FIG. 5 is a right side elevational view thereof;

FIG. 6 is a top plan view thereof; and,

FIG. 7 is a bottom plan view thereof.

1 Claim, 2 Drawing Sheets



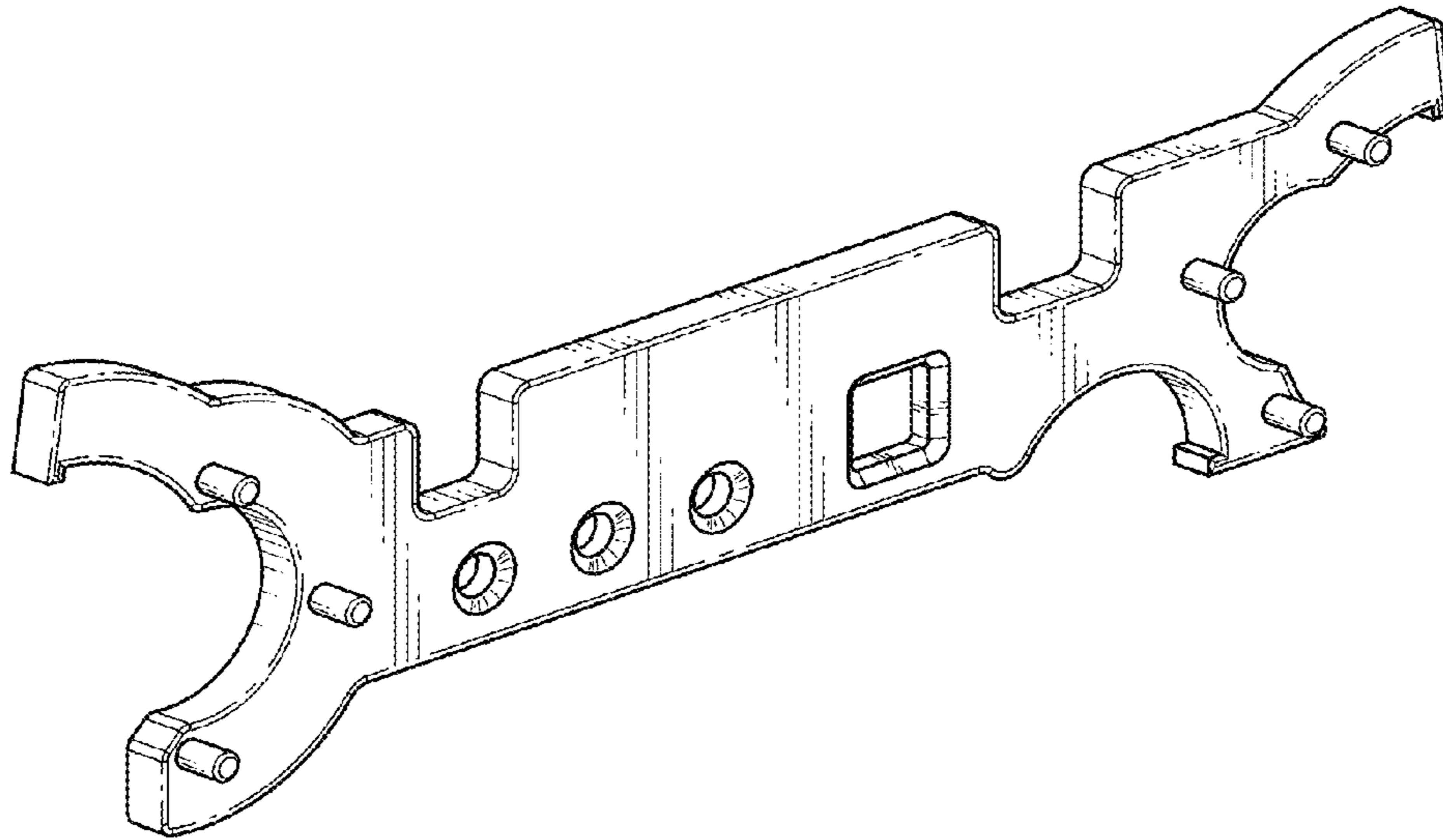


FIG. 1

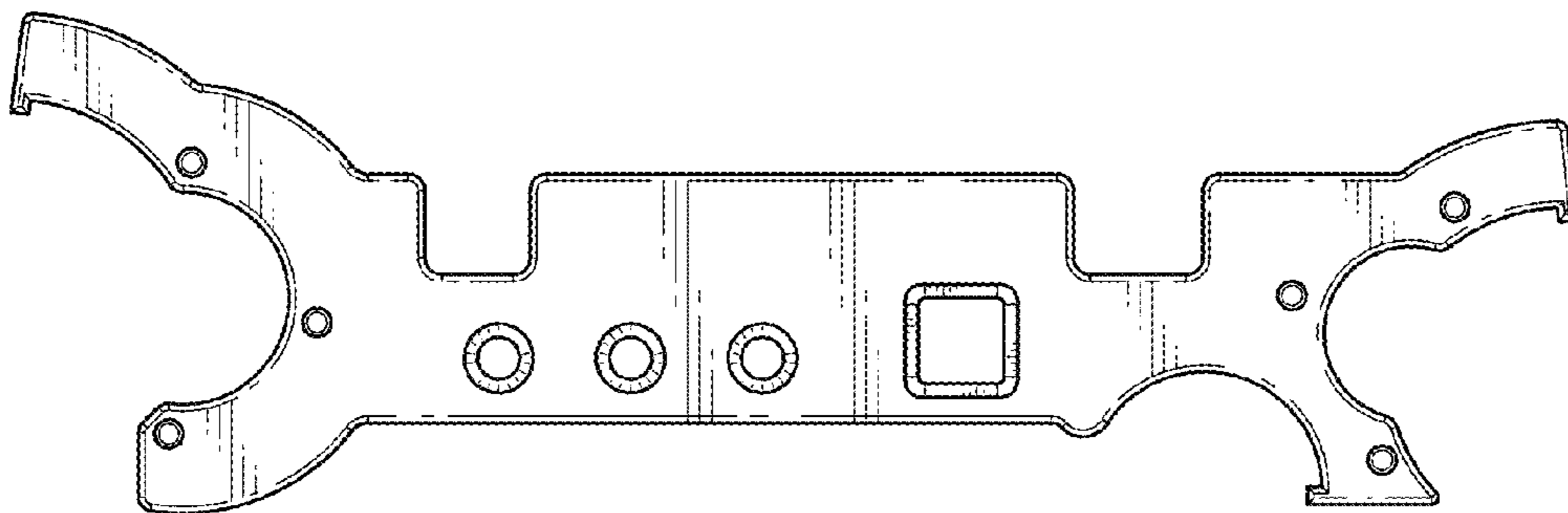


FIG. 2

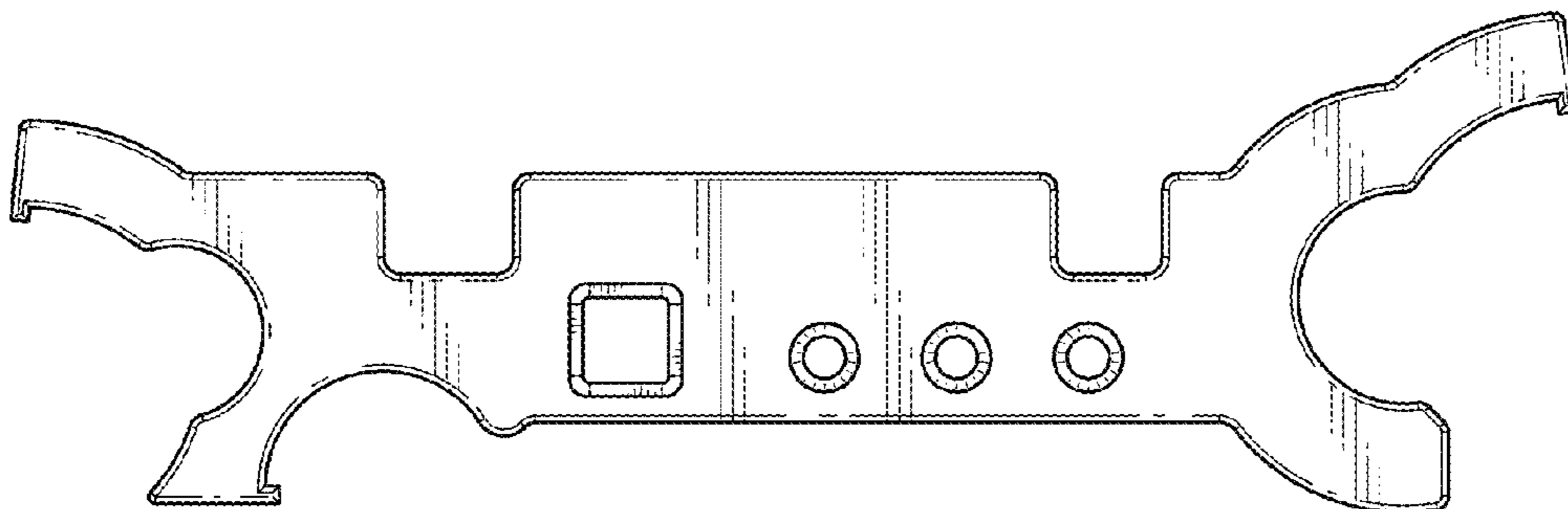


FIG. 3

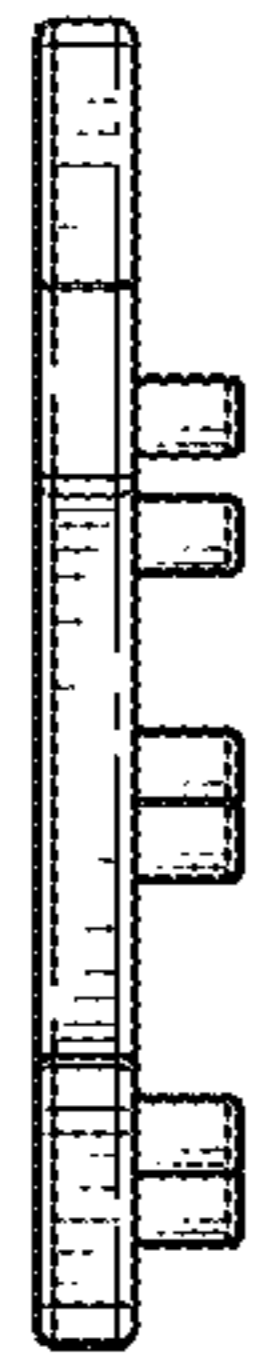


FIG. 4

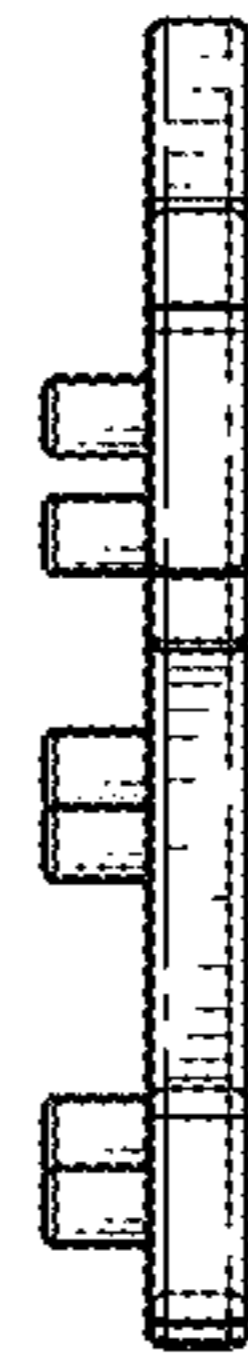


FIG. 5

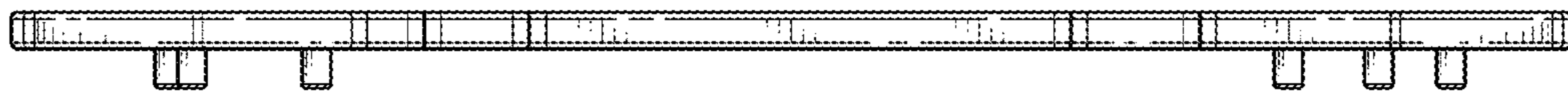


FIG. 6

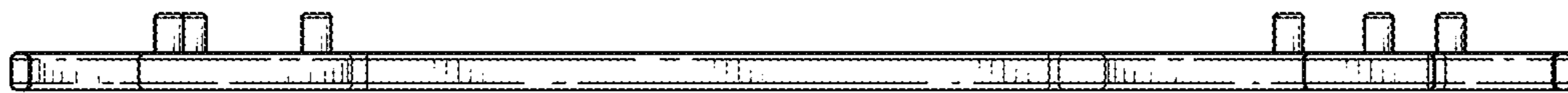


FIG. 7