



US00D742705S

(12) **United States Design Patent**  
**Harris**

(10) **Patent No.:** **US D742,705 S**

(45) **Date of Patent:** **\*\* Nov. 10, 2015**

(54) **PORTABLE MATERIAL SEPARATOR**

(71) Applicant: **Al Harris**, Chico, CA (US)

(72) Inventor: **Al Harris**, Chico, CA (US)

(\*\*) Term: **14 Years**

(21) Appl. No.: **29/525,760**

(22) Filed: **May 1, 2015**

(51) **LOC (10) Cl.** ..... **08-01**

(52) **U.S. Cl.**  
USPC ..... **D8/1**

(58) **Field of Classification Search**  
USPC ..... D7/600, 600.1, 667, 325, 359, 369, 402,  
D7/403, 409, 213; D34/5, 6, 7, 39; D8/1,  
D8/499

CPC ..... B07B 1/00; B07B 1/02; B07B 1/04;  
B07B 1/06

See application file for complete search history.

(56) **References Cited**

**U.S. PATENT DOCUMENTS**

711,410	A *	10/1902	Means	.....	220/9.1
D219,530	S *	12/1970	Billings, Jr.	.....	D15/28
4,988,005	A *	1/1991	Graham	.....	209/419
D317,104	S *	5/1991	Lyon	.....	D7/667
5,423,430	A *	6/1995	Zaffiro et al.	.....	209/315
D373,291	S *	9/1996	Auker	.....	D8/1
D422,175	S *	4/2000	Varakian et al.	.....	D7/391
D422,390	S *	4/2000	Chipman	.....	D34/6
D434,283	S *	11/2000	Dewey	.....	D8/1
D512,284	S *	12/2005	Massey	.....	D8/1

D527,215	S *	8/2006	Dow et al.	.....	D7/325
D555,989	S *	11/2007	Sais	.....	D8/1
D635,404	S *	4/2011	Ciarrocchi, Jr.	.....	D7/600.1
D735,541	S *	8/2015	Anderson	.....	D8/1
2005/0155914	A1 *	7/2005	Bettencourt	.....	209/418
2013/0220895	A1 *	8/2013	Tucker et al.	.....	209/235
2014/0190874	A1 *	7/2014	Rieck	.....	209/364

\* cited by examiner

*Primary Examiner* — Sandra Snapp

*Assistant Examiner* — Ieisha Price

(74) *Attorney, Agent, or Firm* — William Bodnar

(57) **CLAIM**

I claim the ornamental design for a portable material separator, as shown and described.

**DESCRIPTION**

FIG. 1 is a perspective view of the portable material separator. FIG. 2 is a side view of the portable material separator. FIG. 3 is an opposite side view of the portable material separator.

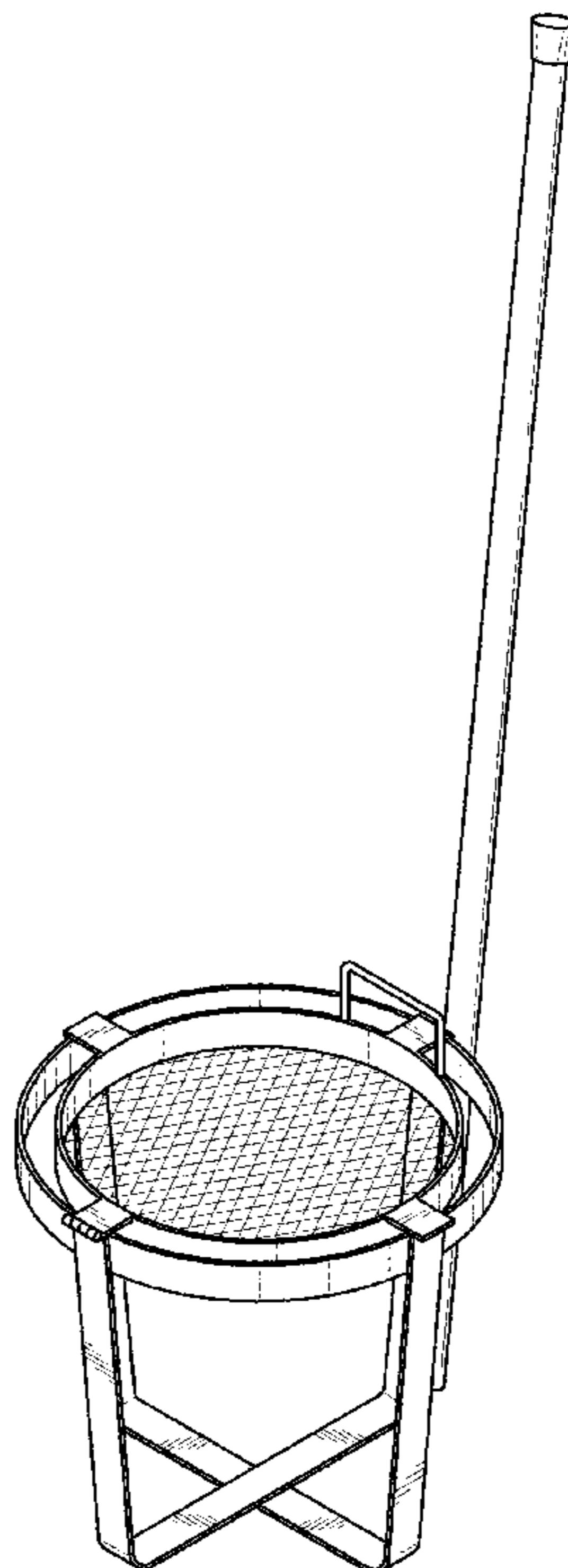
FIG. 4 is another side view of the portable material separator. FIG. 5 is a top view of the portable material separator.

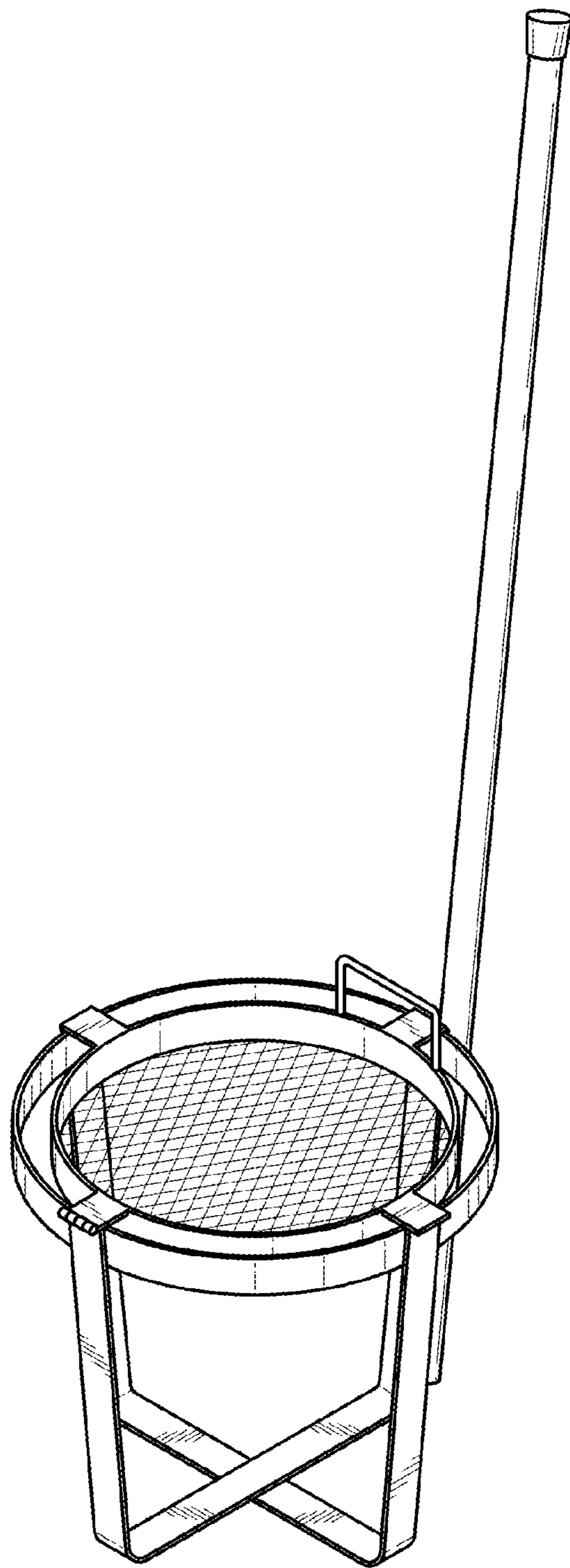
FIG. 6 is a bottom view of the portable material separator; and,

FIG. 7 is a perspective view of the portable material separator with a bucket (illustrated by broken lines).

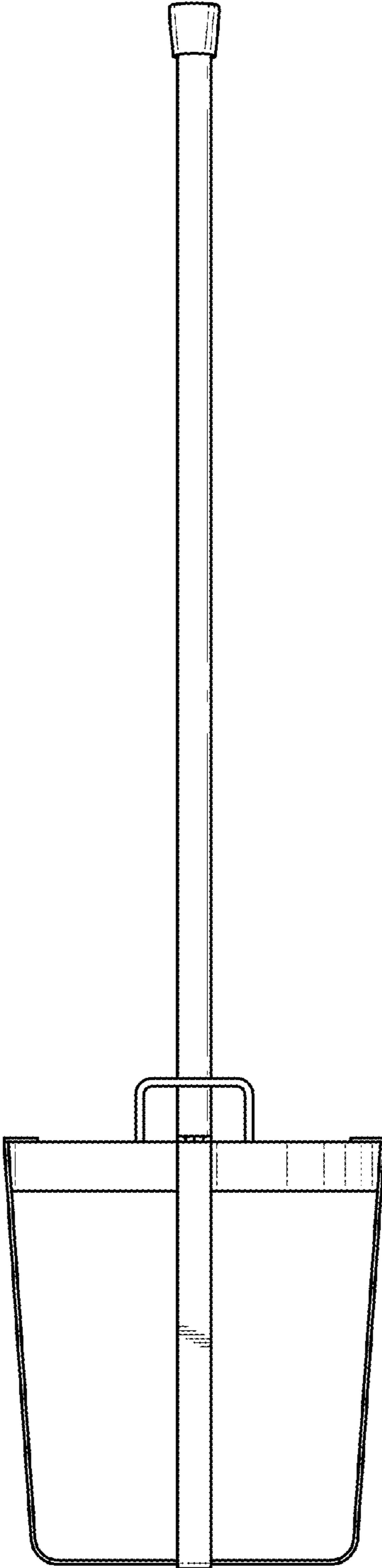
The broken lines shown in FIG. 7 depict a container (such as a bucket) utilized with the portable material separator and represent unclaimed subject matter and form no part of the claimed design.

**1 Claim, 4 Drawing Sheets**

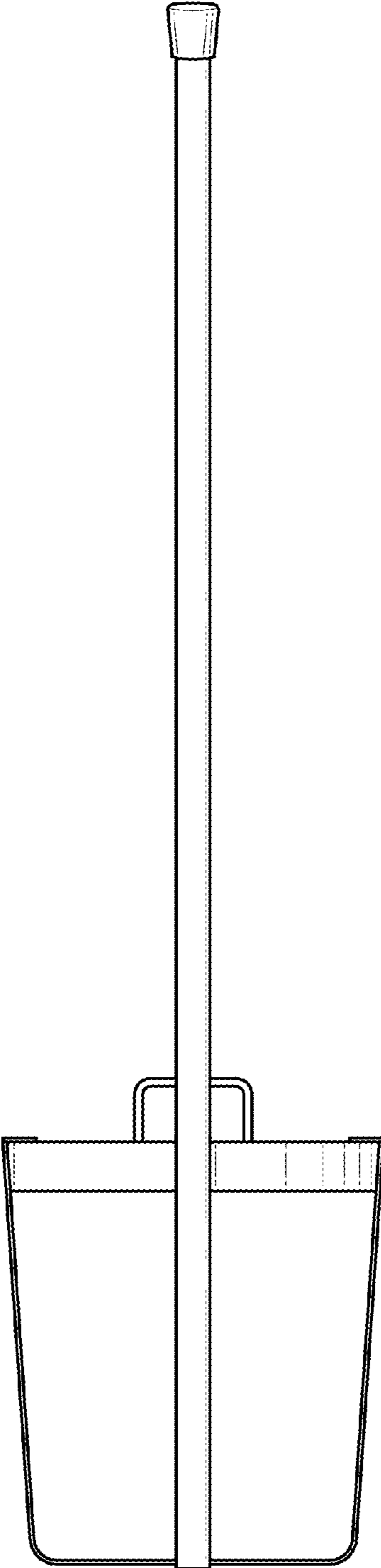




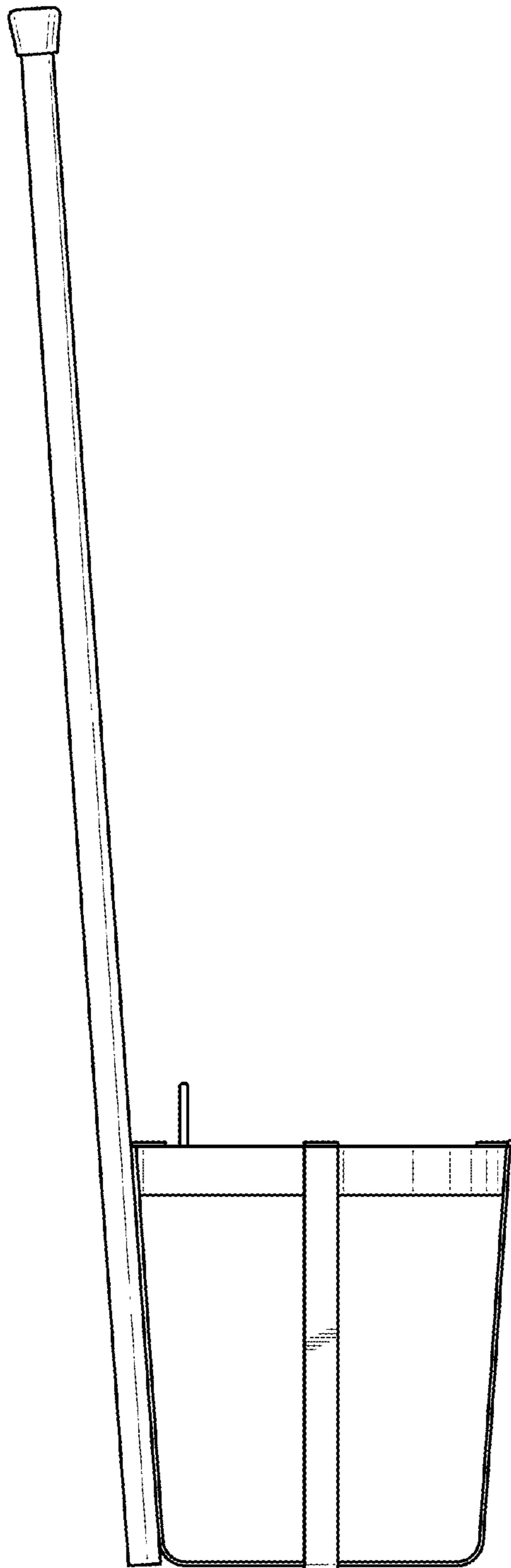
**FIG. 1**



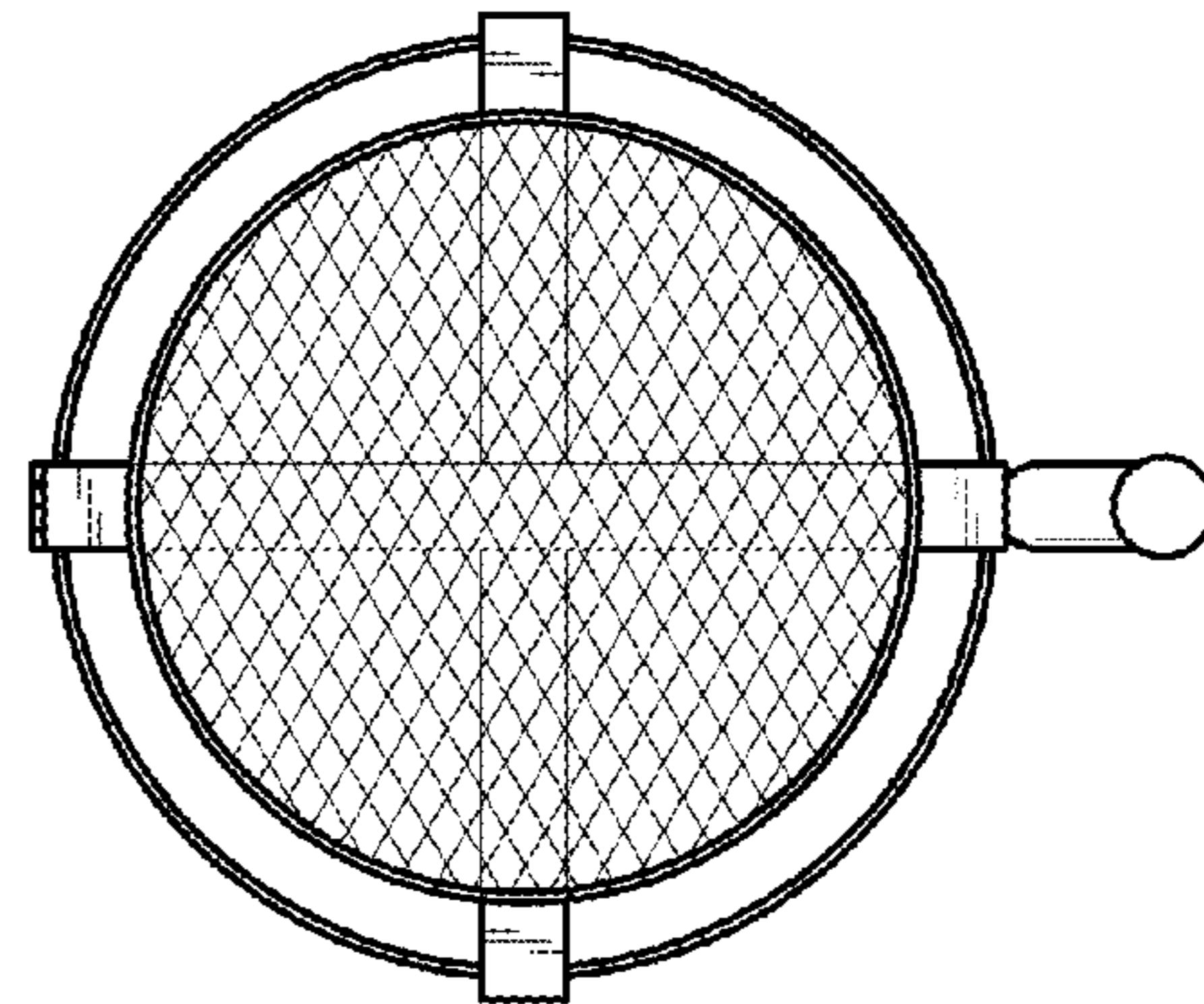
*FIG. 2*



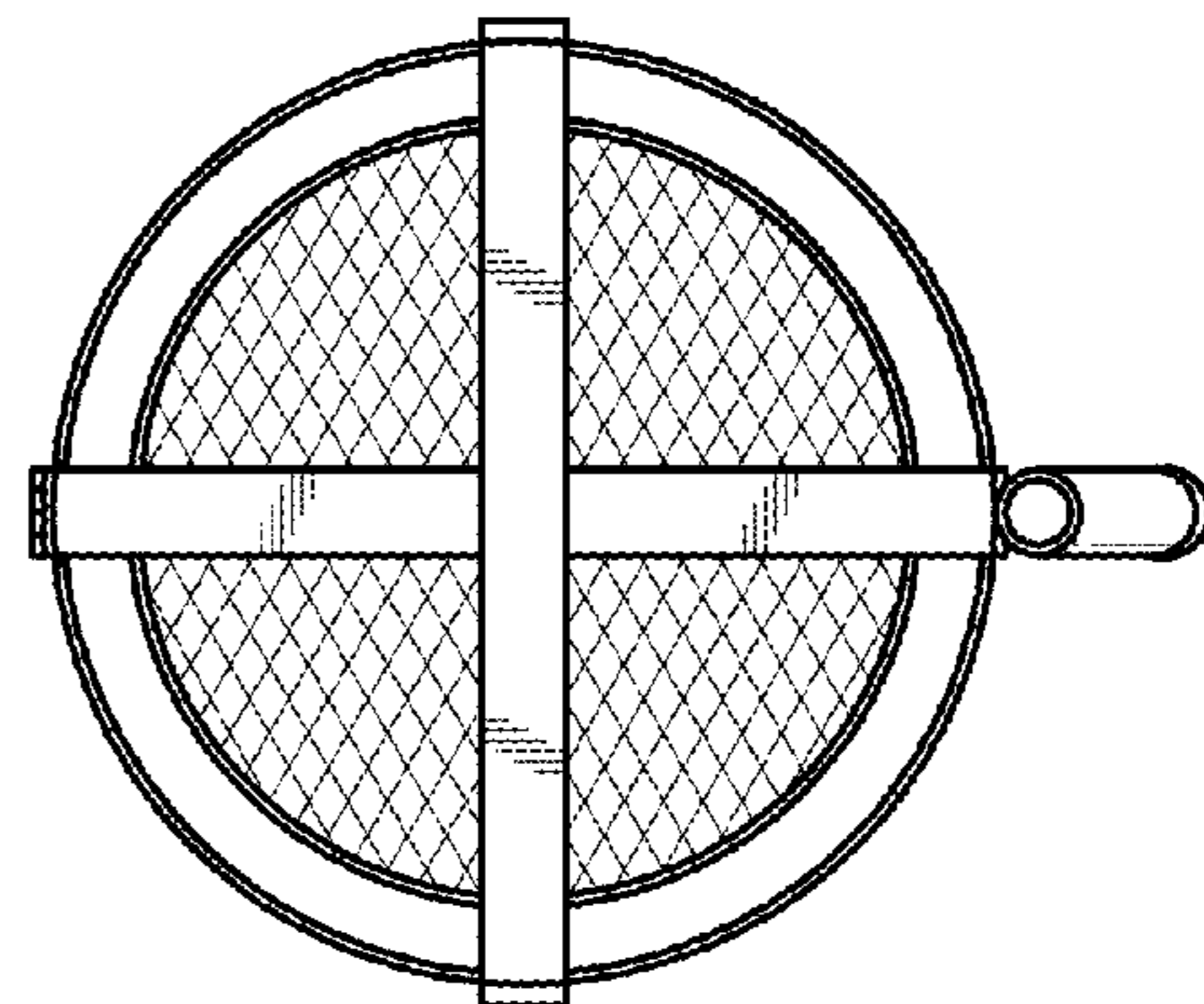
*FIG. 3*



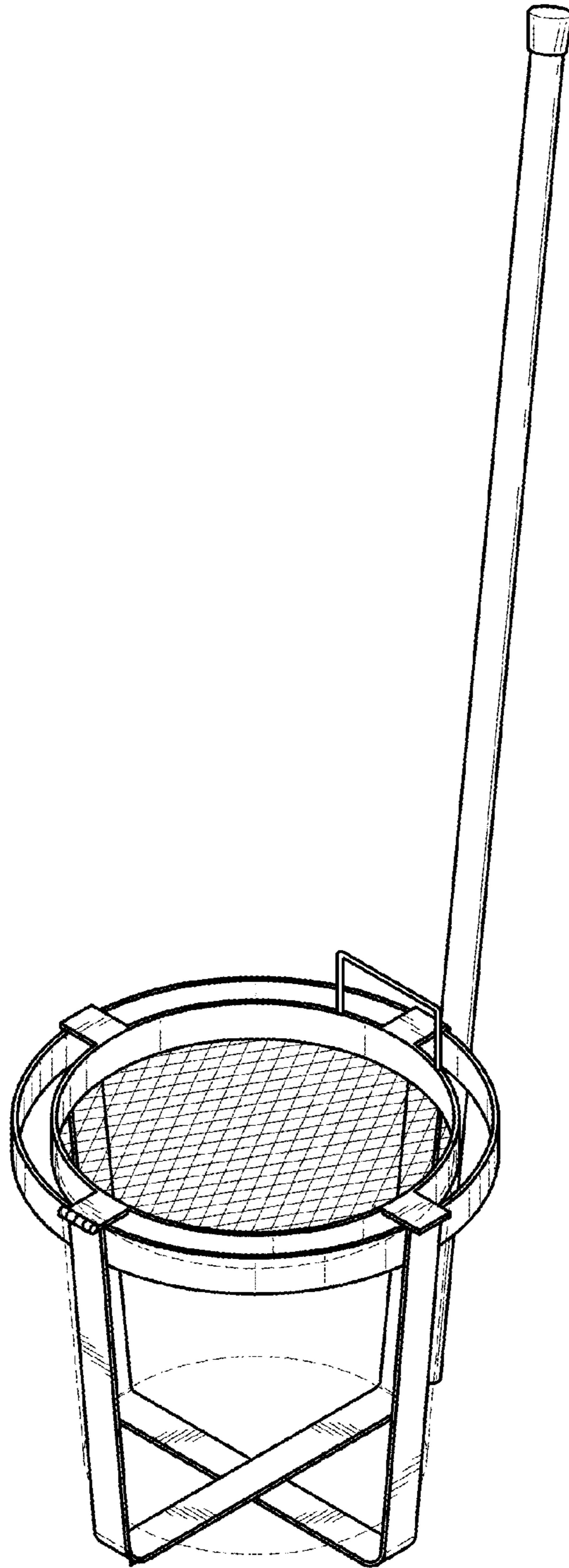
**FIG. 4**



**FIG. 5**



**FIG. 6**



**FIG. 7**