



US00D742704S

(12) **United States Design Patent**
Park et al.

(10) **Patent No.:** **US D742,704 S**

(45) **Date of Patent:** **** Nov. 10, 2015**

(54) **WINE RACK**

(71) Applicant: **Samsung Electronics Co., Ltd.**,
Suwon-Si, Gyeonggi-Do (KR)

(72) Inventors: **Seojin Park**, Seoul (KR); **Dajeong Kim**,
Seoul (KR)

(73) Assignee: **Samsung Electronics Co., Ltd.**,
Gyeonggi-do (KR)

(**) Term: **14 Years**

(21) Appl. No.: **29/453,847**

(22) Filed: **May 3, 2013**

(30) **Foreign Application Priority Data**

Nov. 5, 2012 (KR) 30-2012-0052713

(51) **LOC (10) Cl.** **07-06**

(52) **U.S. Cl.**
USPC **D7/701**

(58) **Field of Classification Search**

USPC D7/708, 701, 702, 703, 704, 705, 706,
D7/707, 600.1–600.4, 501, 505, 590, 592,
D7/601, 602, 603, 619.1–625, 630, 631,
D7/637, 640, 641, 639, 638, 506, 507,
D7/580; D6/570, 552, 512, 513, 514, 522,
D6/534, 528, 516, 520, 567, 315, 317,
D6/309; 211/74, 70.6, 70.7, 70.8, 71.01,
211/13.1, 181.1, 182, 85.5, 59.4, 62, 64,
211/70.1, 72, 75, 79, 85.18, 85.26, 99,
211/126.7, 133.1, 133.2, 135, 70;
248/311.3, 309.1, 127, 137, 141, 139,
248/146, 152, 155.2, 174, 176.1, 183.1,
248/183.2, 186.2; 141/364, 369, 375, 106;
D15/89, 91

See application file for complete search history.

(56) **References Cited**

U.S. PATENT DOCUMENTS

76,120	A *	3/1868	Veber	211/74
2,348,187	A *	5/1944	Beskin	294/87.28
3,480,152	A *	11/1969	Walsh	211/74
4,276,984	A *	7/1981	Simmons	211/81
4,494,788	A *	1/1985	Altemose	294/161
4,700,849	A *	10/1987	Wagner	211/41.2
D349,268	S *	8/1994	Jones	D12/183
5,567,029	A *	10/1996	Haenisch et al.	312/405.1
5,639,138	A *	6/1997	Smith	294/142
D441,234	S *	5/2001	Root	D6/534
D463,499	S *	9/2002	Marcos	D20/10
D525,368	S *	7/2006	Clark	D25/48.7
D602,724	S *	10/2009	Liu	D6/567

(Continued)

Primary Examiner — Ian Simmons

Assistant Examiner — Shannon Morgan

(74) *Attorney, Agent, or Firm* — Harness, Dickey & Pierce

(57) **CLAIM**

The ornamental design for a wine rack, as shown and described.

DESCRIPTION

FIG. 1 is a front, right, top perspective view of a wine rack showing our new design;

FIG. 2 is a front elevational view thereof;

FIG. 3 is a rear elevational view thereof;

FIG. 4 is a left side elevational view thereof;

FIG. 5 is a right side elevational view thereof;

FIG. 6 is a top plan view thereof;

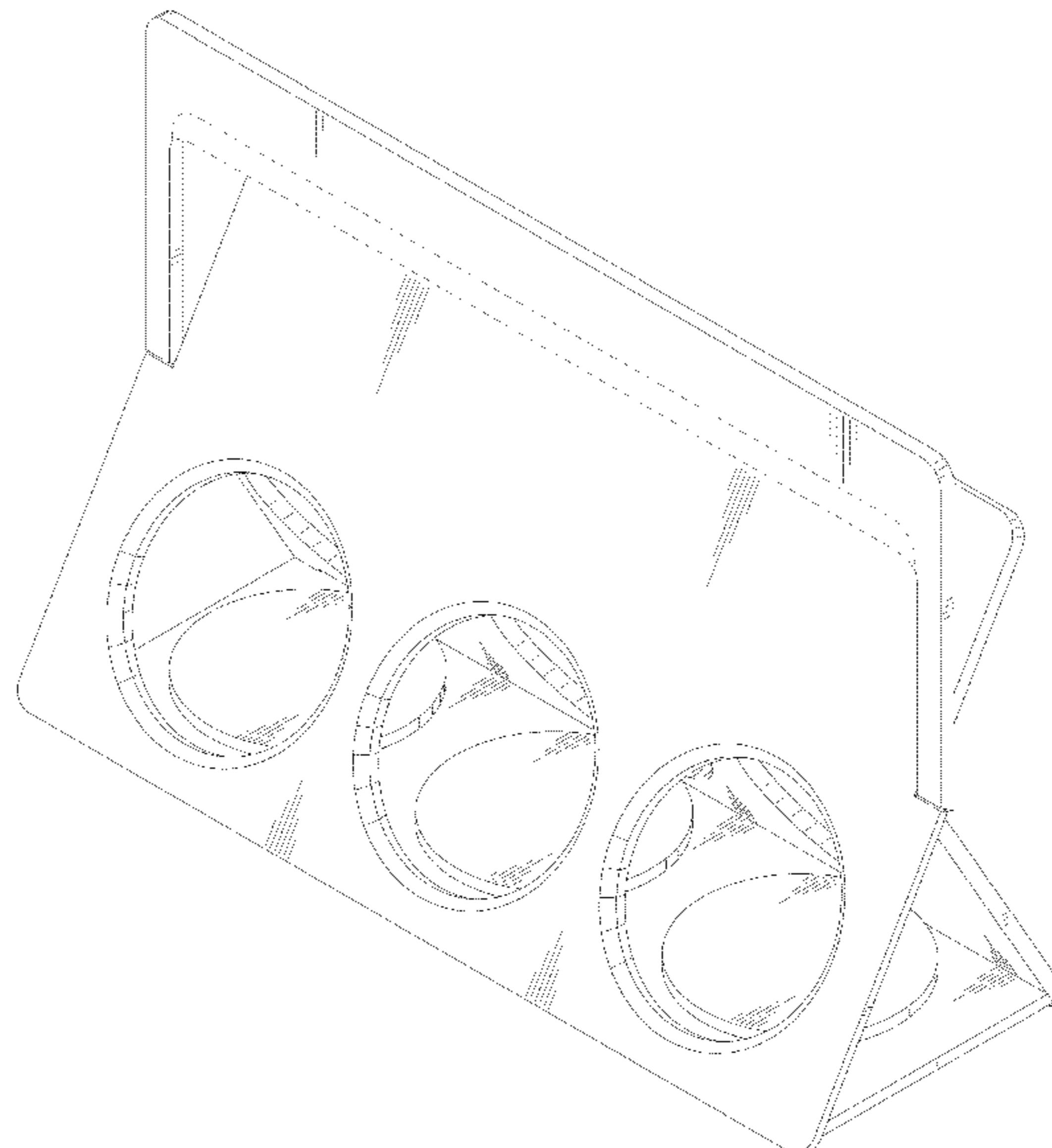
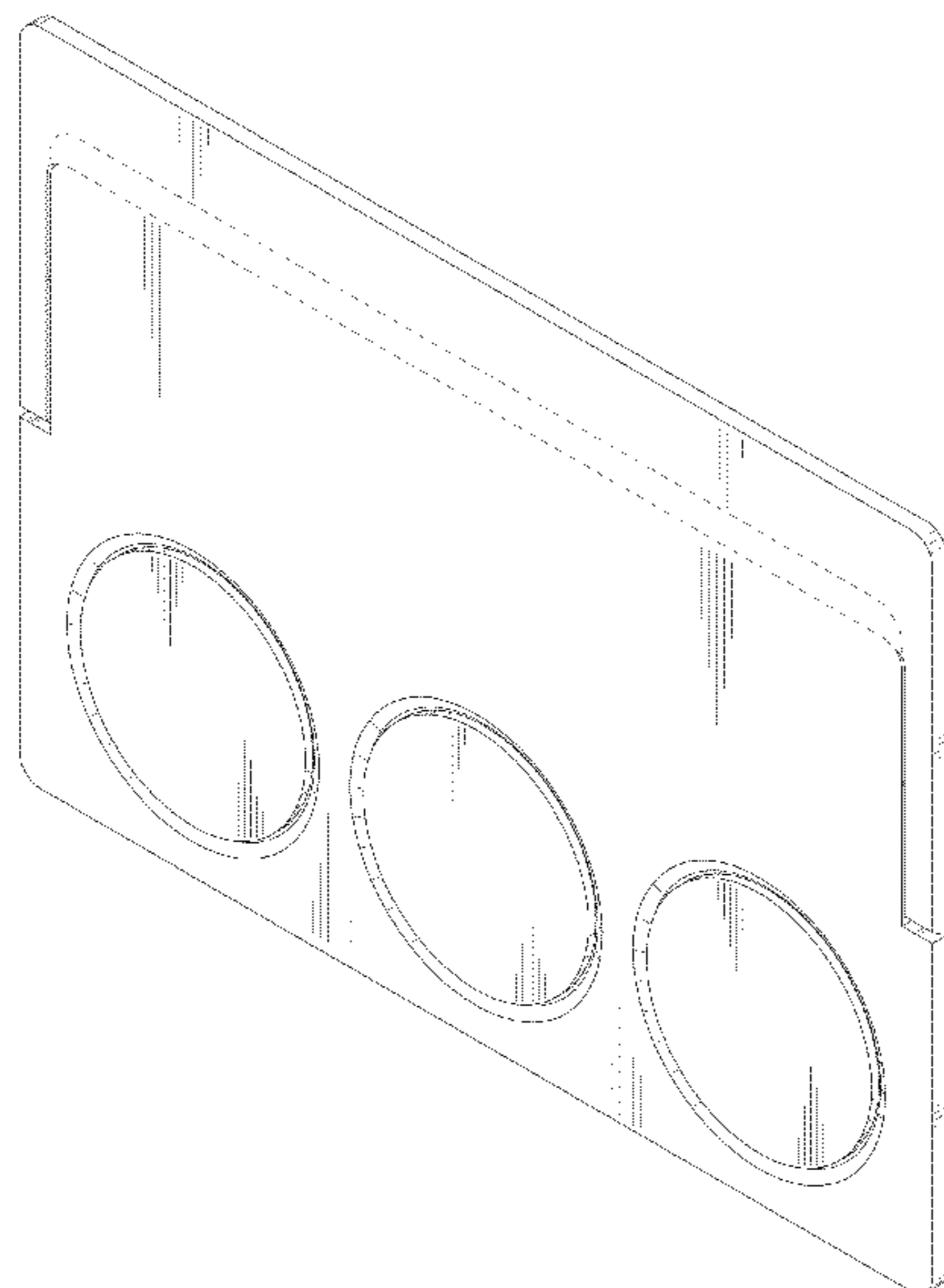
FIG. 7 is a bottom plan view thereof;

FIG. 8 is a perspective view of the wine rack of FIG. 1 shown in an open position thereof; and,

FIG. 9 is another front, right, top perspective view of the wine rack of FIG. 1.

The broken lines shown in FIGS. 1-9 represent portions of the wine rack that form no part of the claimed design.

1 Claim, 8 Drawing Sheets



US D742,704 S

Page 2

(56)

References Cited

U.S. PATENT DOCUMENTS

D608,577 S *	1/2010	Racanelli	D6/534	D702,886 S *	4/2014	Bohman	D28/73
D639,816 S *	6/2011	Bau	D14/447	D705,785 S *	5/2014	Wang	D14/447
D648,728 S *	11/2011	Atkins et al.	D14/447	D710,914 S *	8/2014	Park et al.	D15/89
D676,053 S *	2/2013	Izen et al.	D14/447	D711,436 S *	8/2014	Park et al.	D15/89
D676,054 S *	2/2013	Izen et al.	D14/447	2011/0266176 A1 *	11/2011	Still	206/320
				2013/0187023 A1 *	7/2013	Renwick	248/683
				2014/0110547 A1 *	4/2014	Consaul	248/231.9

* cited by examiner

FIG. 1

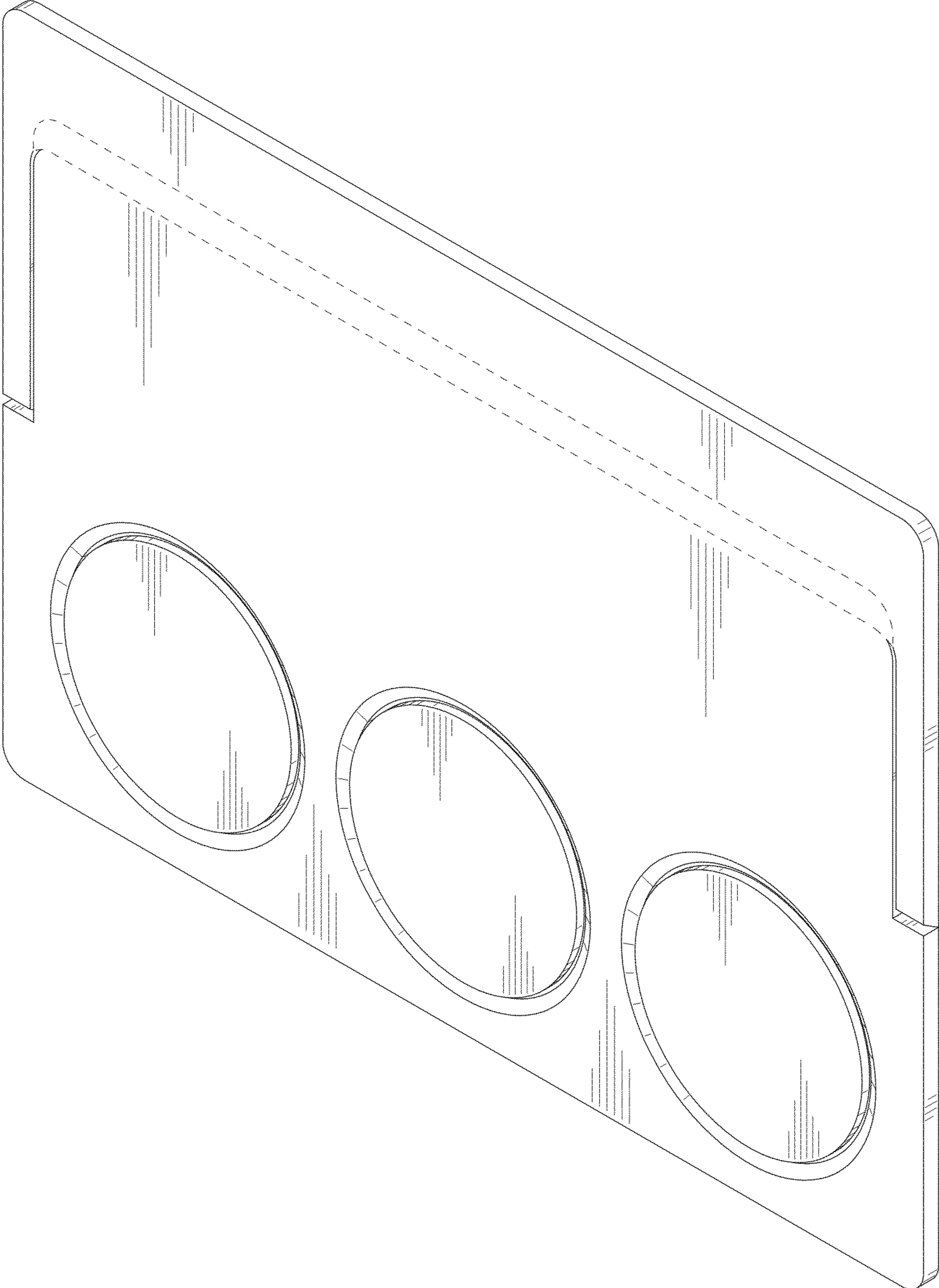


FIG.2

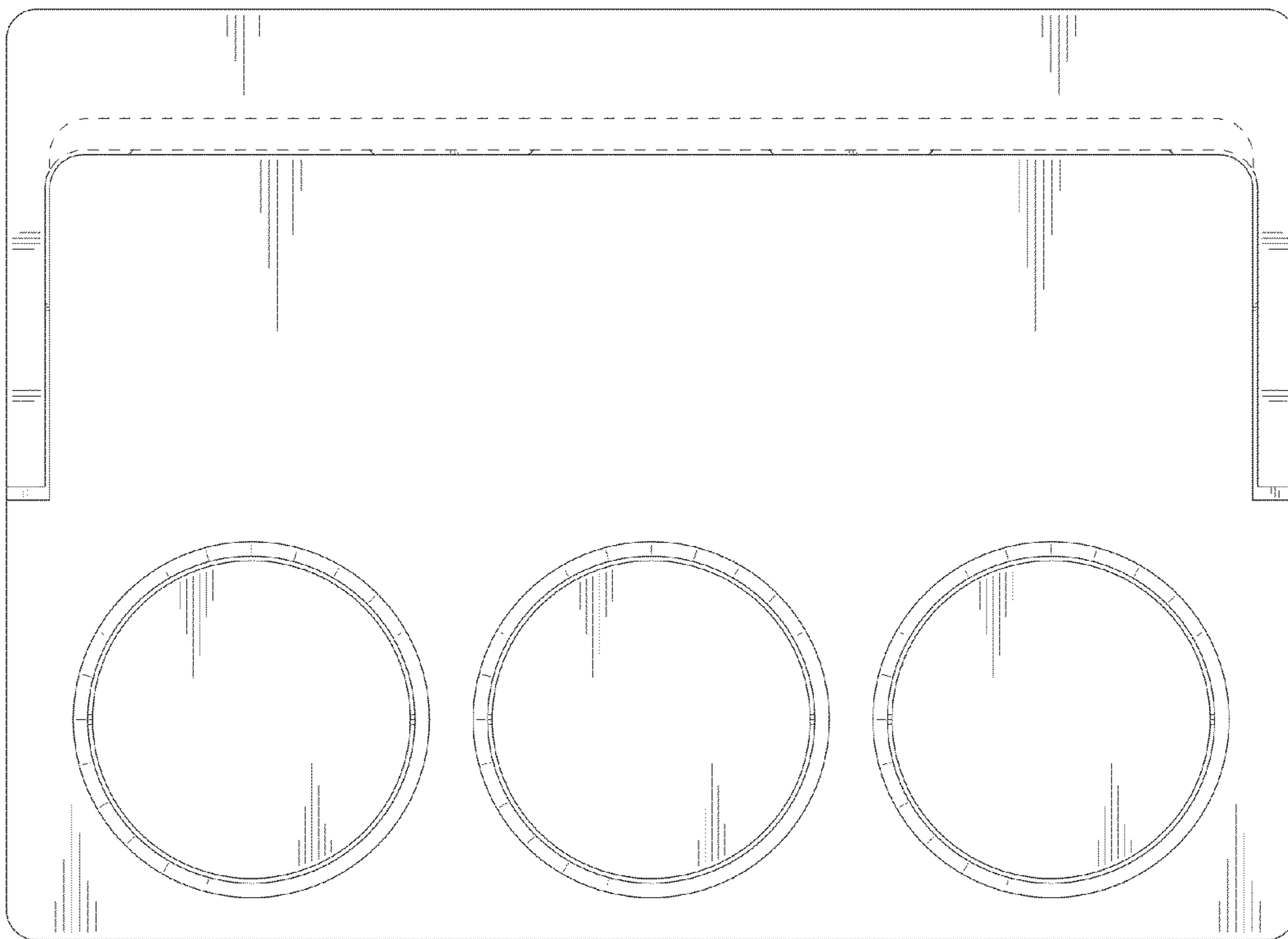


FIG.3

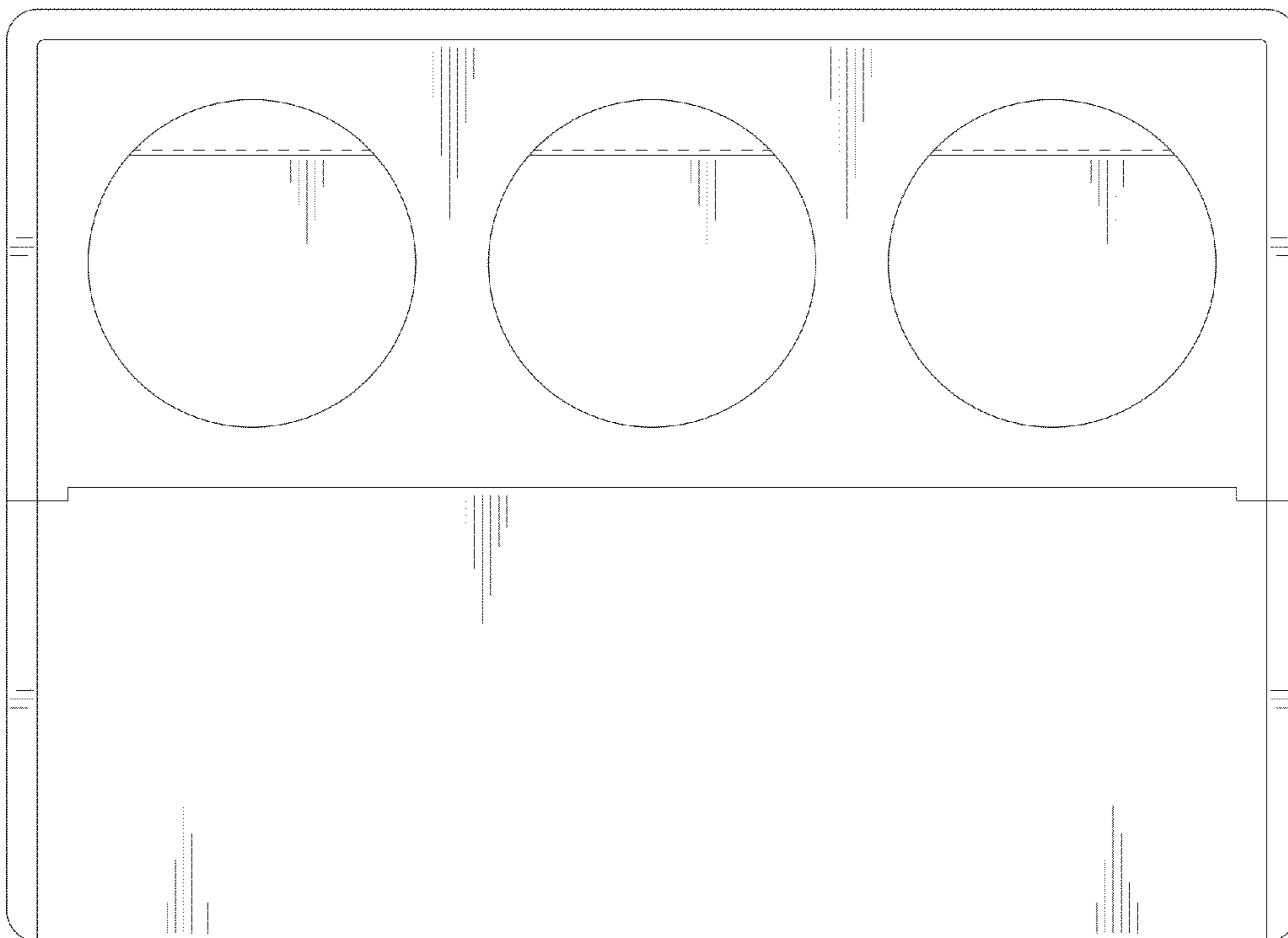


FIG.4



FIG.5

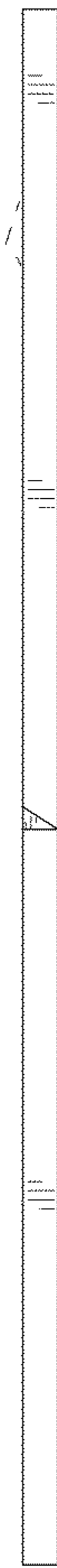


FIG.6

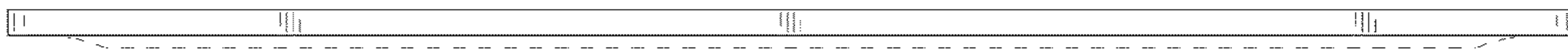


FIG.7

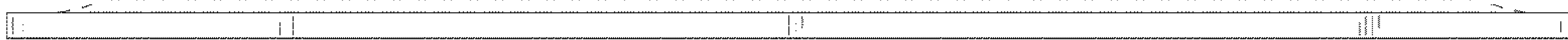


FIG. 8

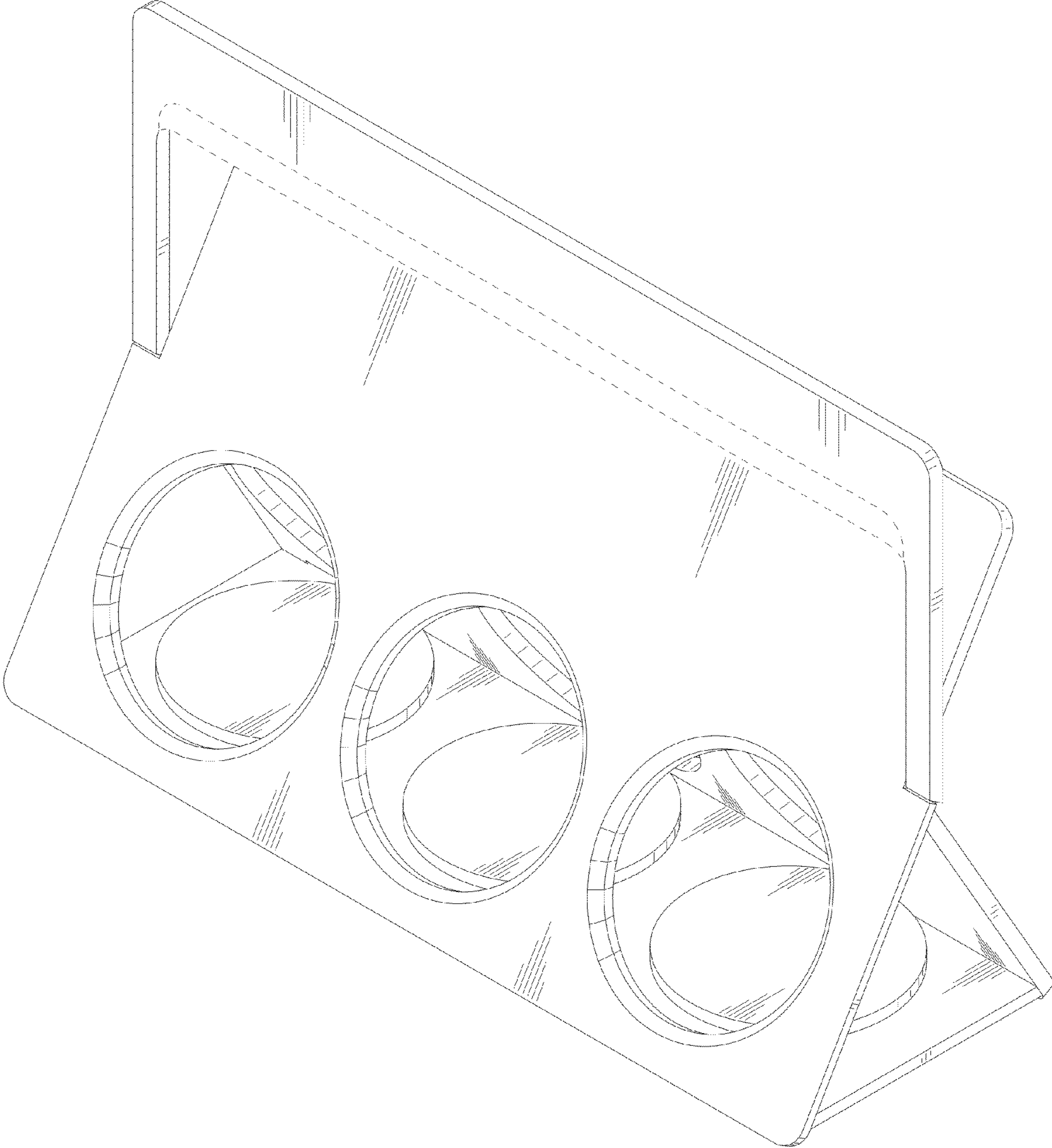


FIG.9

