



US00D742703S

(12) **United States Design Patent**
Jossem

(10) **Patent No.:** **US D742,703 S**

(45) **Date of Patent:** **** Nov. 10, 2015**

(54) **GARLIC CHOPPER**

(71) Applicant: **Chef'n Corporation**, Seattle, WA (US)

(72) Inventor: **Adam A. Jossem**, Seattle, WA (US)

(73) Assignee: **Chef'n Corporation**, Seattle, WA (US)

(**) Term: **14 Years**

(21) Appl. No.: **29/484,907**

(22) Filed: **Mar. 13, 2014**

(51) **LOC (10) Cl.** **07-04**

(52) **U.S. Cl.**
USPC **D7/693**

(58) **Field of Classification Search**
USPC D7/693, 694; 99/537, 538, 552-556,
99/559-564, 543, 467, 580, 646 C, 967
CPC A47J 43/26
See application file for complete search history.

(56) **References Cited**

U.S. PATENT DOCUMENTS

2,271,175	A	1/1942	Mantelet	
D335,609	S *	5/1993	Cesaroni et al. D7/693
D399,617	S	10/1998	Fujita	
D477,754	S	7/2003	Holcomb et al.	

D537,305	S	2/2007	Wan	
7,264,189	B2	9/2007	Holcomb et al.	
D555,305	S	11/2007	Chun et al.	
D556,398	S	11/2007	Shin	
D576,836	S	9/2008	Jossem et al.	
D623,892	S *	9/2010	Hull et al. D7/384
D678,736	S *	3/2013	Junker et al. D7/693

* cited by examiner

Primary Examiner — Terry Wallace

(74) *Attorney, Agent, or Firm* — Seed IP Law Group PLLC

(57) **CLAIM**

The ornamental design for a garlic chopper, as shown and described.

DESCRIPTION

FIG. 1 is a perspective view of a garlic chopper showing my new design.

FIG. 2 is a left side elevation view thereof.

FIG. 3 is a right side elevation view thereof.

FIG. 4 is a rear elevation view thereof.

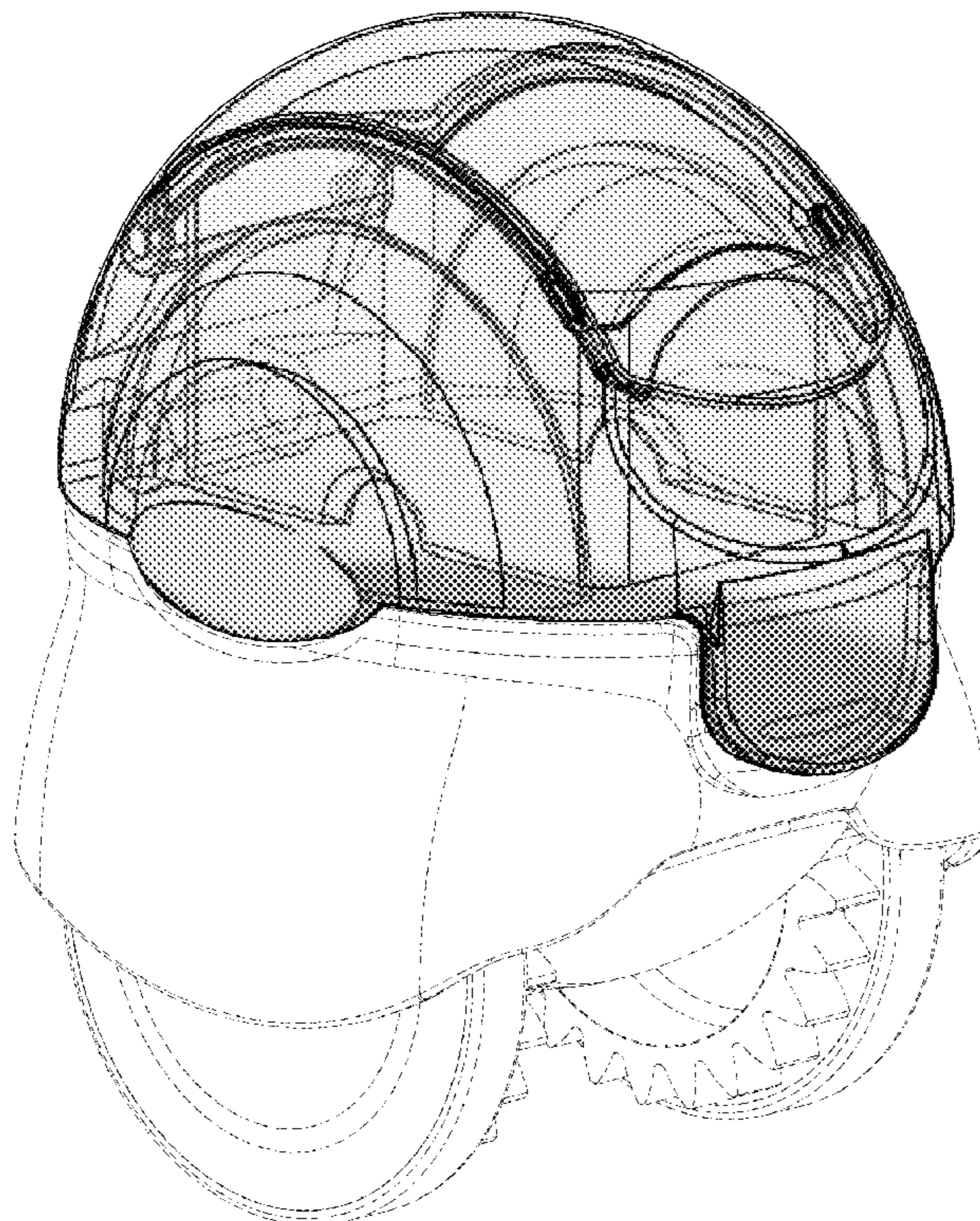
FIG. 5 is a front elevation view thereof.

FIG. 6 is a top plan view thereof; and,

FIG. 7 is a bottom plan view thereof.

The broken lines in the figures form no part of the claimed design.

1 Claim, 7 Drawing Sheets



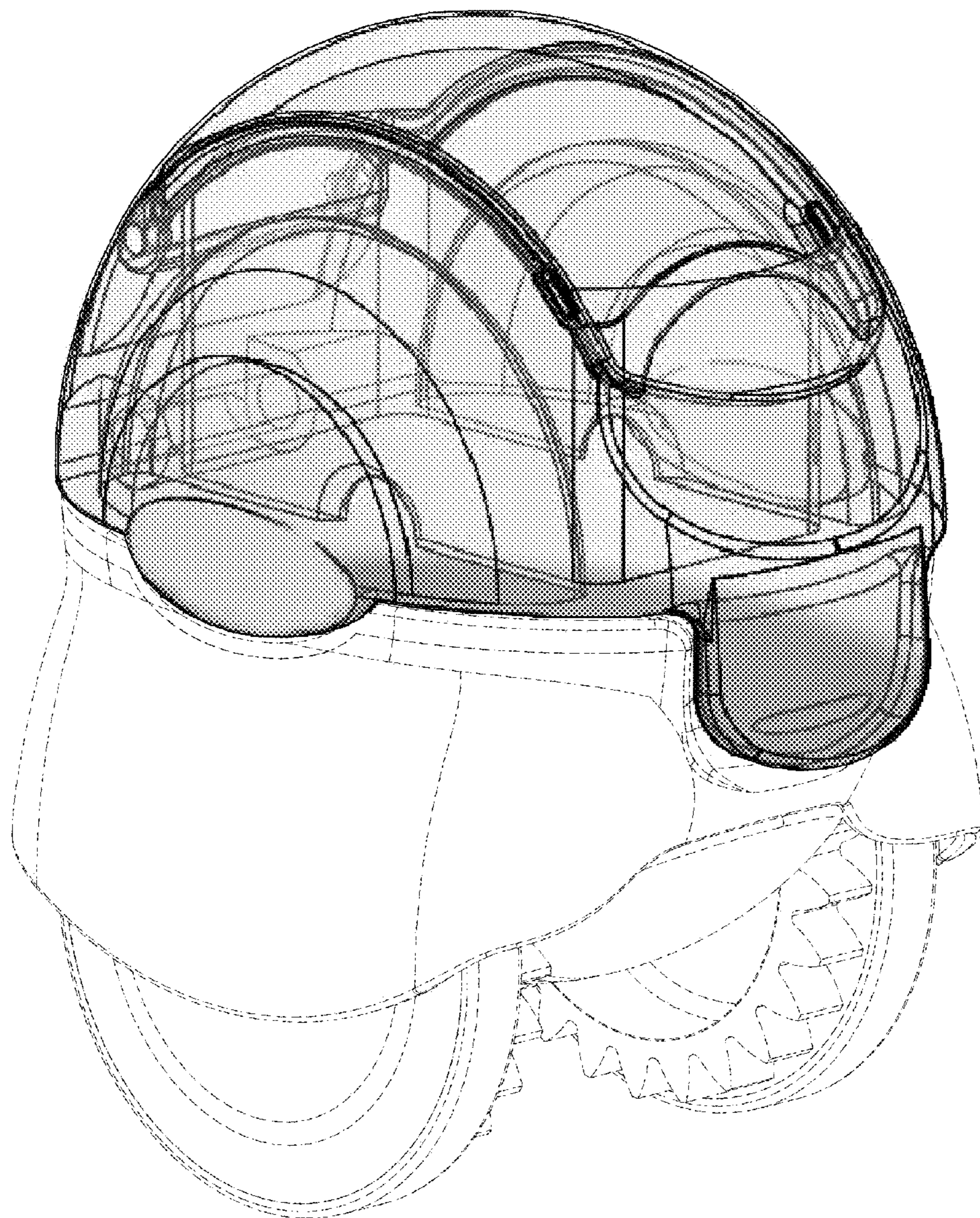


FIG. 1

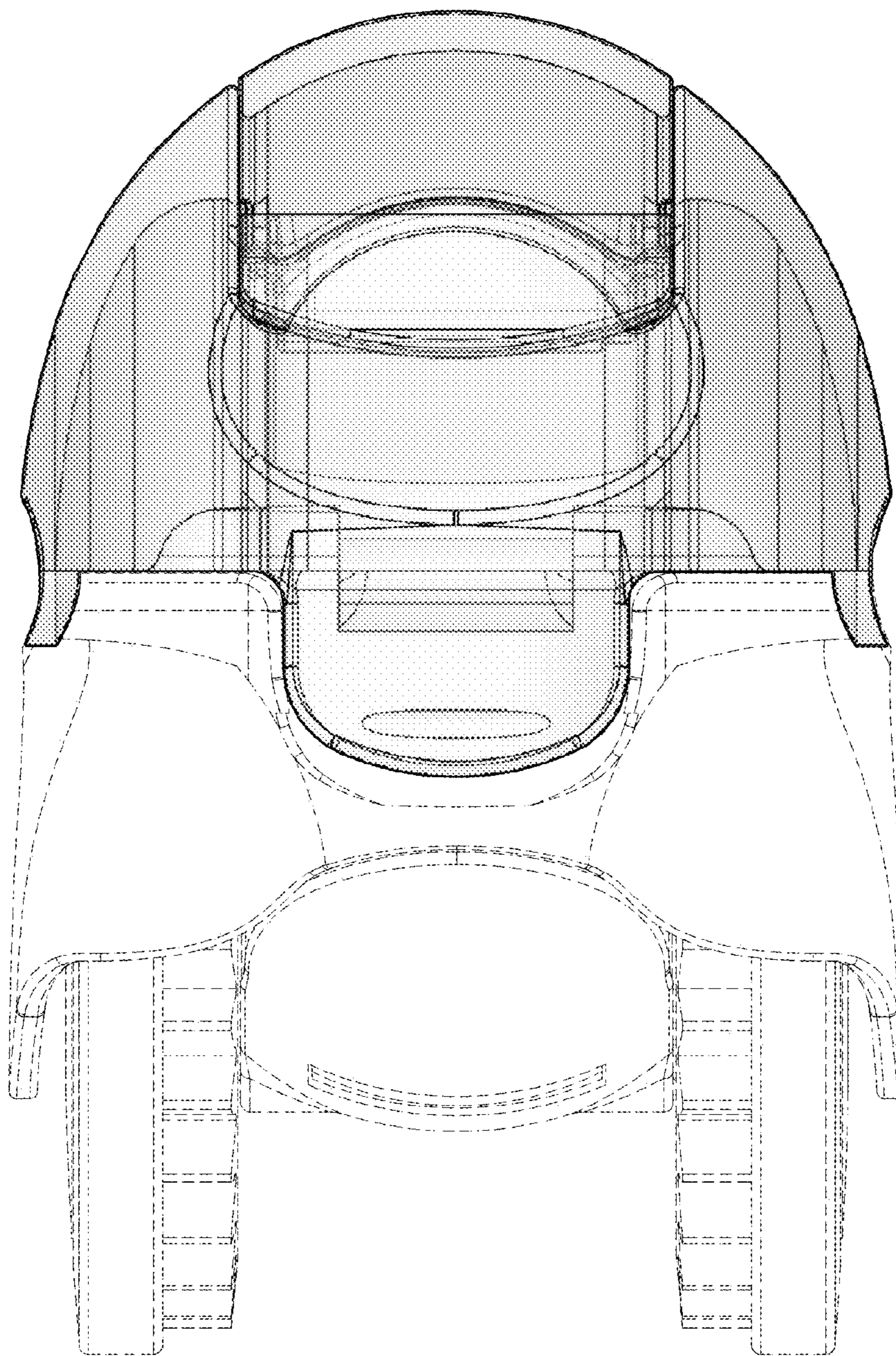


FIG. 2

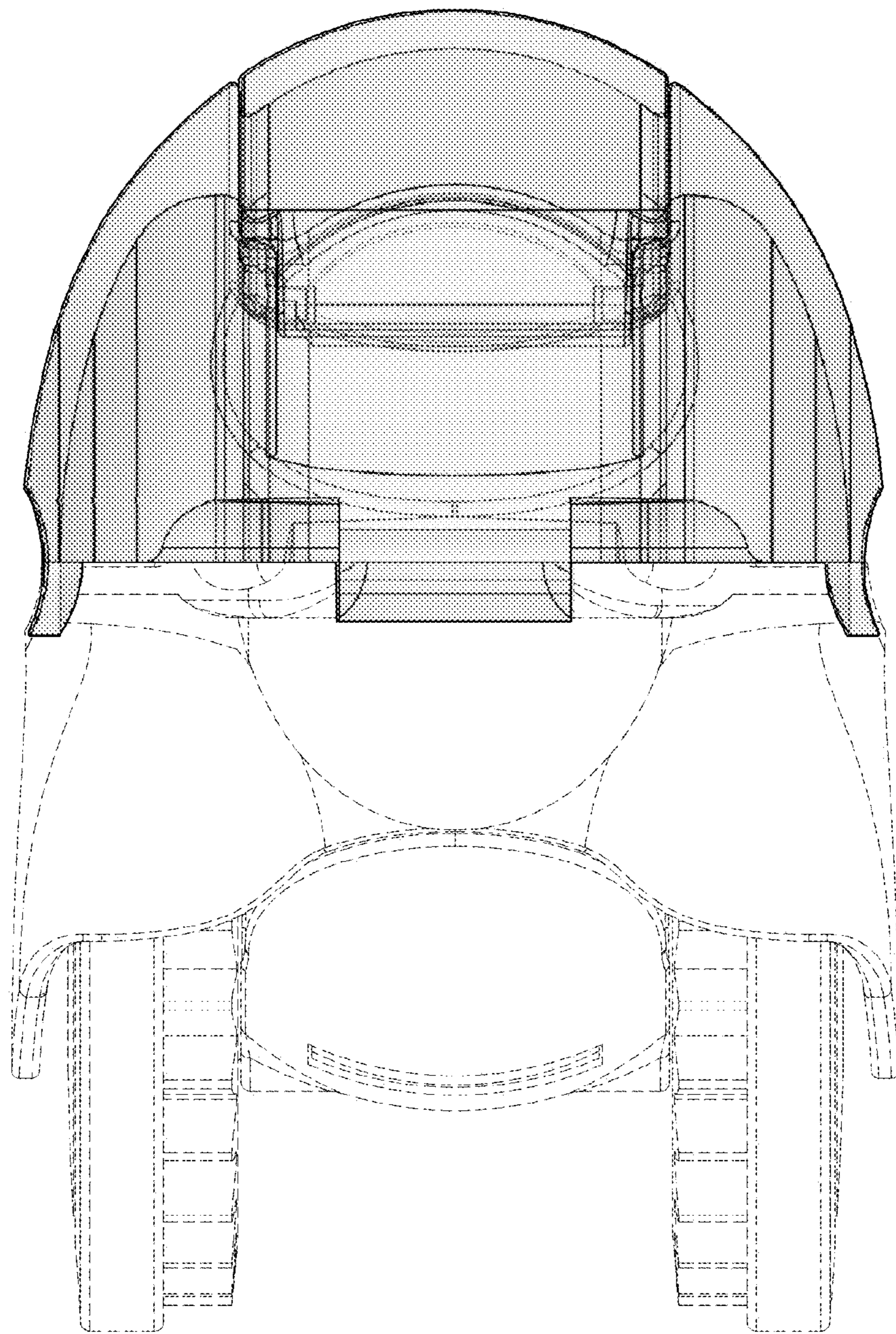


FIG. 3

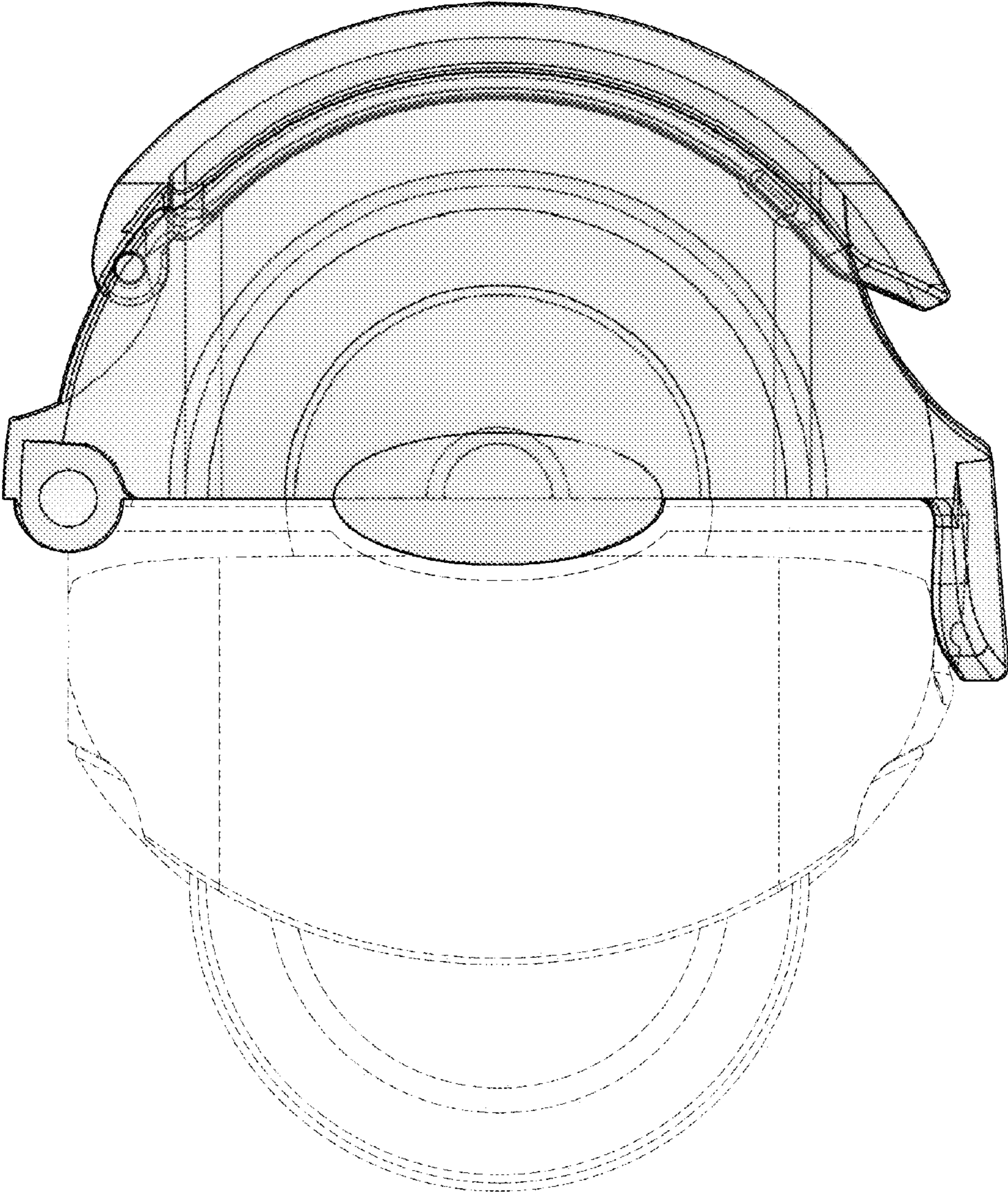


FIG. 4

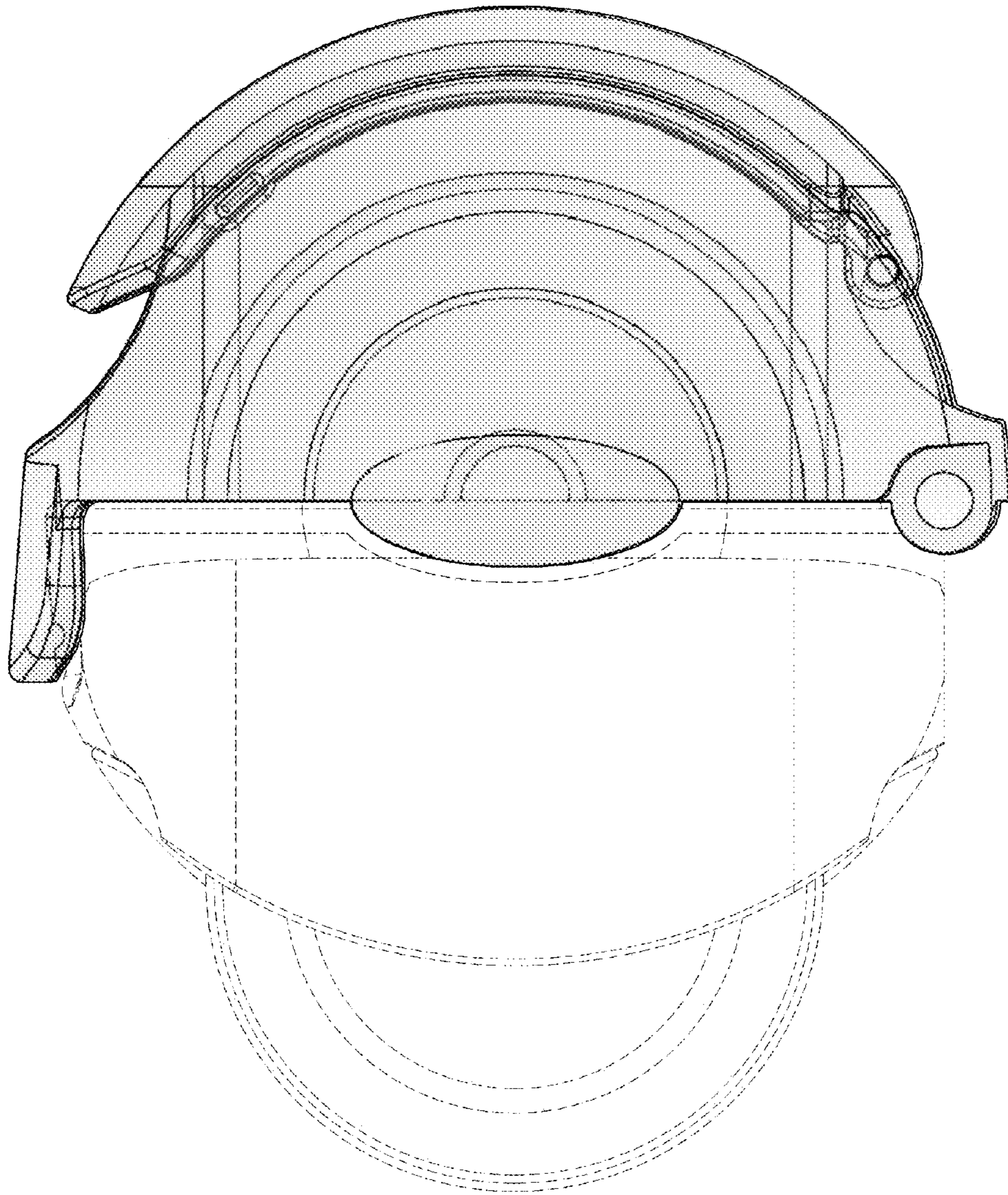


FIG. 5

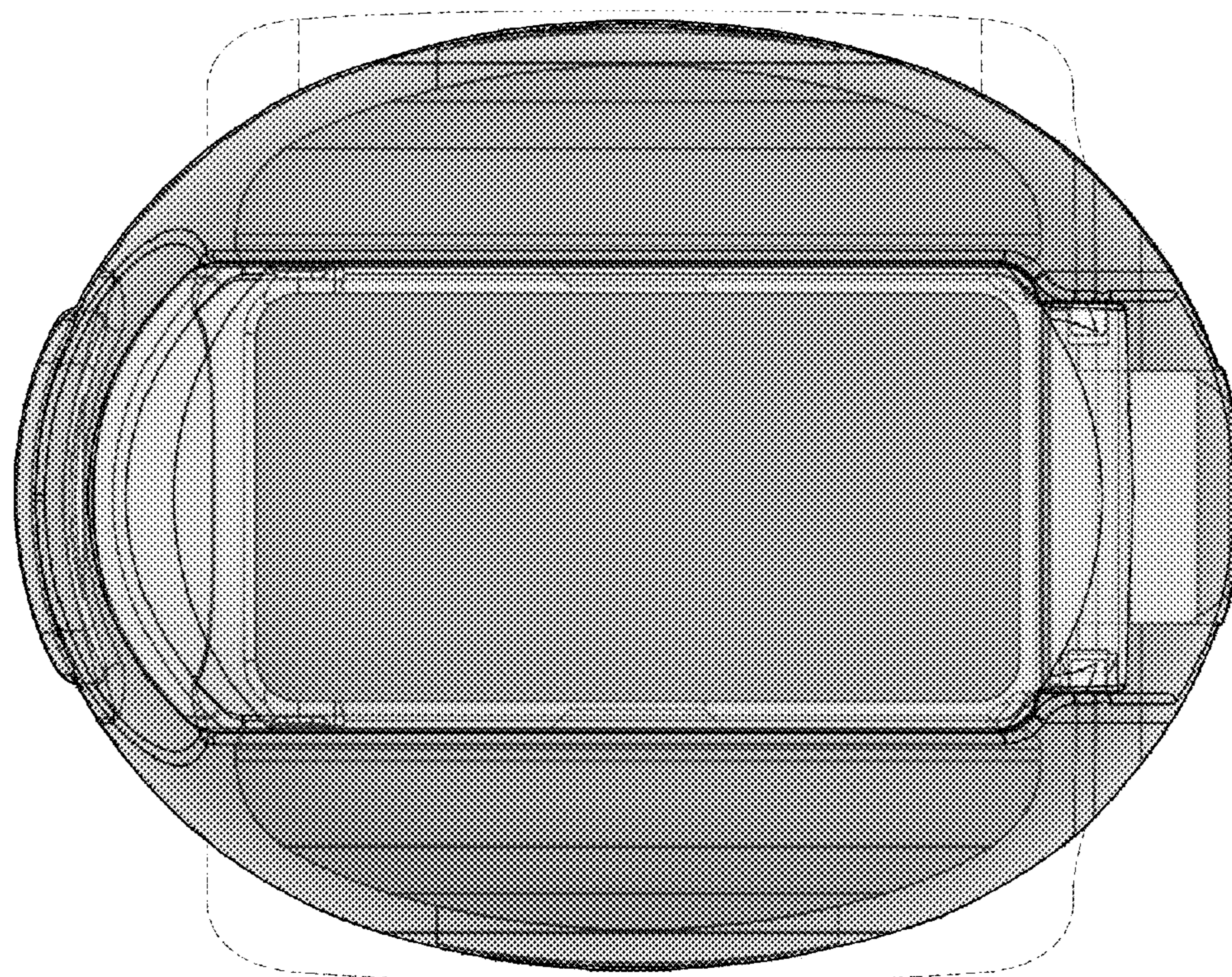


FIG. 6

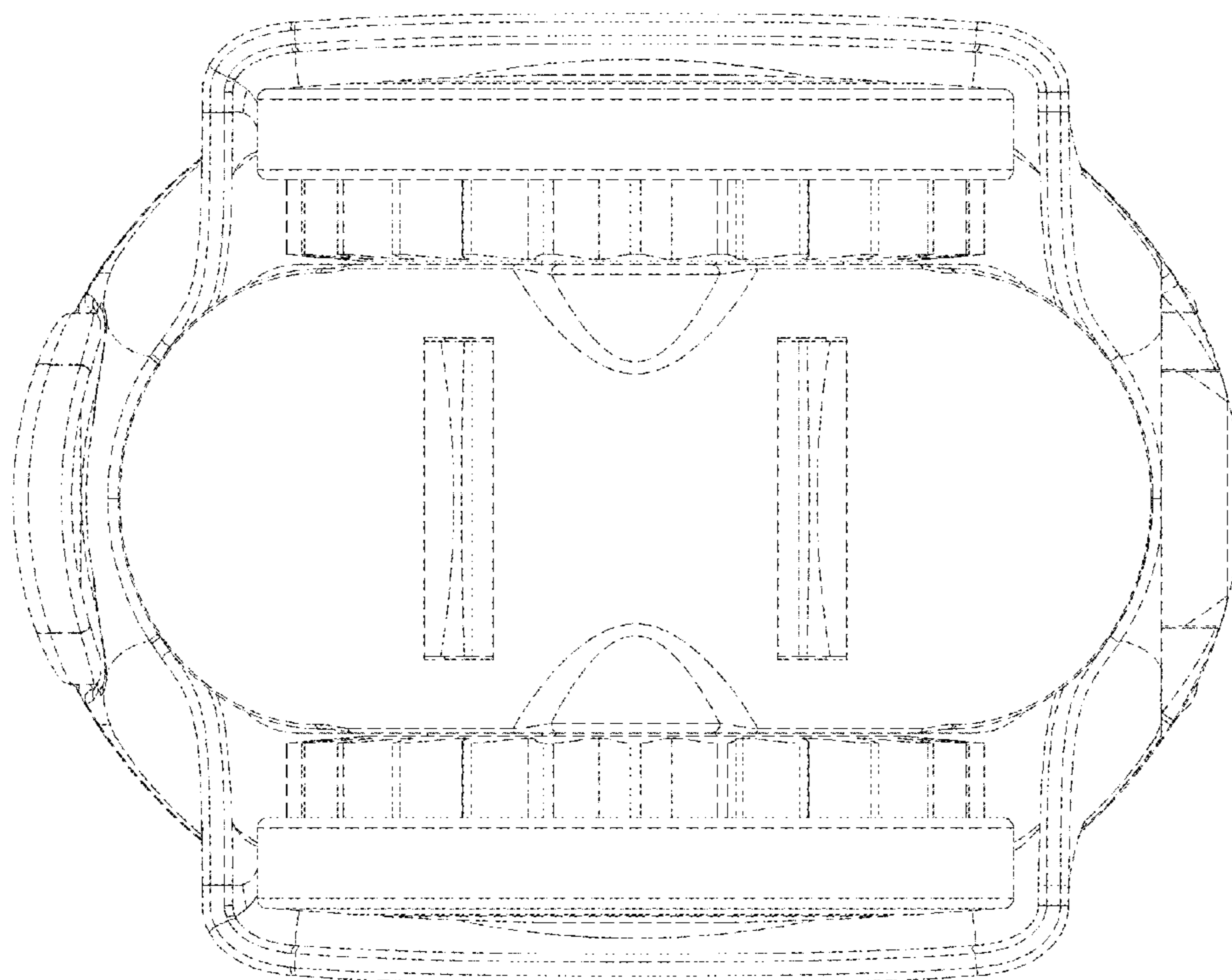


FIG. 7