



US00D742700S

(12) **United States Design Patent**
Schumacher

(10) **Patent No.:** **US D742,700 S**

(45) **Date of Patent:** **** Nov. 10, 2015**

(54) **NAPKIN HOLDER**

(71) Applicant: **Michael B Schumacher**, Sturgeon Bay,
WI (US)

(72) Inventor: **Michael B Schumacher**, Sturgeon Bay,
WI (US)

(**) Term: **14 Years**

(21) Appl. No.: **29/489,560**

(22) Filed: **Apr. 30, 2014**

(51) **LOC (10) Cl.** **07-06**

(52) **U.S. Cl.**
USPC **D7/631**

(58) **Field of Classification Search**
USPC D7/631-634, 600.1-600.4, 704;
D6/512, 553, 556, 566; 221/33;
211/49.1, 50, 71.01, 75, 85.31, 86.01,
211/87.01, 90.03
CPC A47B 3/00; A47B 96/028; A47F 7/283;
A47F 5/0807; A47F 5/0846; A47F 5/13

See application file for complete search history.

(56) **References Cited**

U.S. PATENT DOCUMENTS

D438,042 S *	2/2001	Hofman	D3/306
D628,385 S *	12/2010	Klein	D6/513
D674,637 S *	1/2013	London	D6/553
D695,540 S *	12/2013	Teel, Jr.	D6/513
2008/0000859 A1 *	1/2008	Yang	A47B 57/26 211/90.03

* cited by examiner

Primary Examiner — Terry Wallace

(74) *Attorney, Agent, or Firm* — Steven H. Greenfield;
Greenfield Invention and Patent Consulting, Inc.

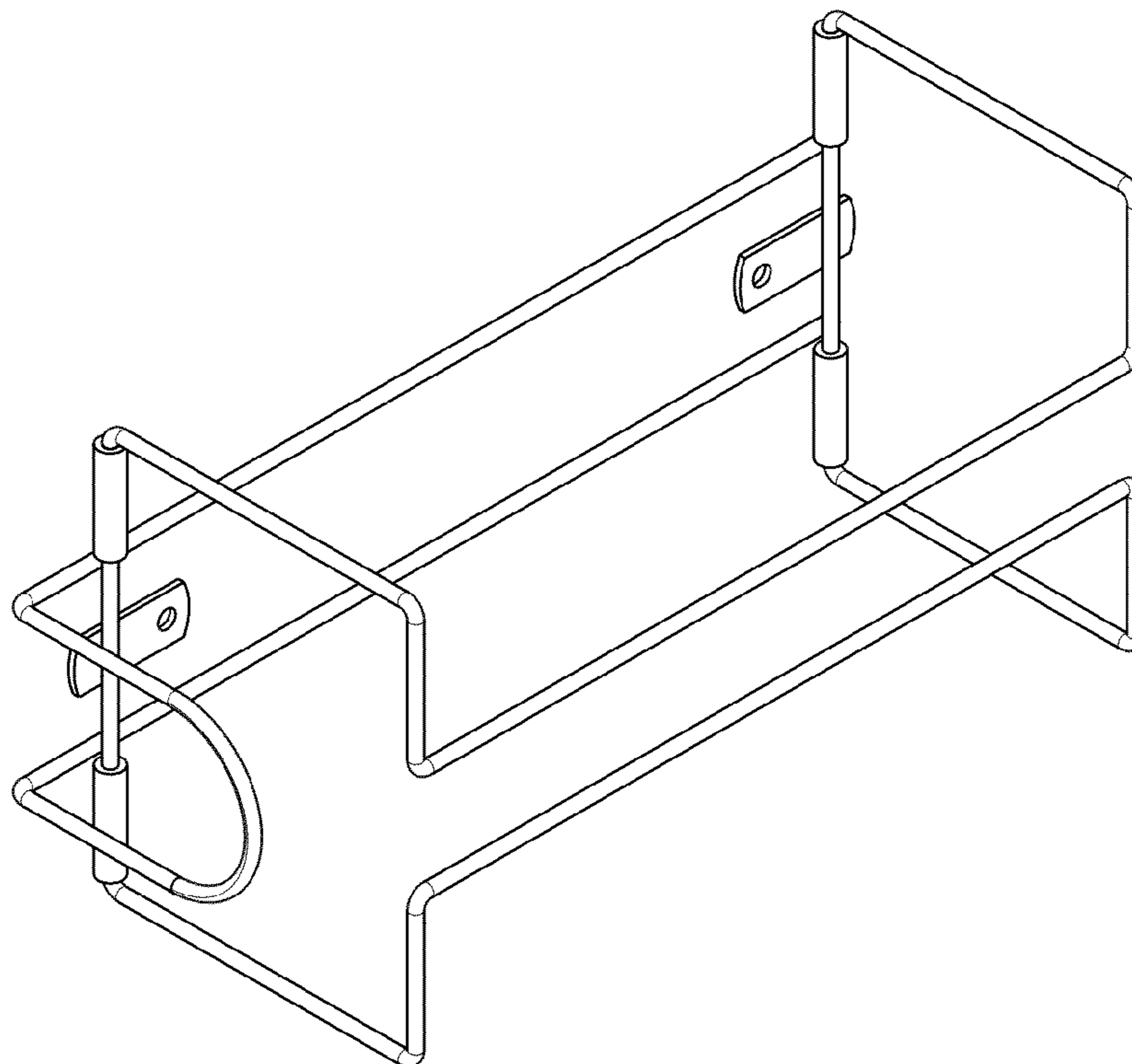
(57) **CLAIM**

The ornamental design for a napkin holder, as shown and described.

DESCRIPTION

FIG. 1 is a bottom perspective view of a napkin holder showing my new design;
FIG. 2 is a top and rear perspective view thereof;
FIG. 3 is a front view thereof;
FIG. 4 is a rear view thereof;
FIG. 5 is a first side view thereof;
FIG. 6 is a second side view thereof;
FIG. 7 is a bottom view thereof; and,
FIG. 8 is a top view thereof.

1 Claim, 8 Drawing Sheets



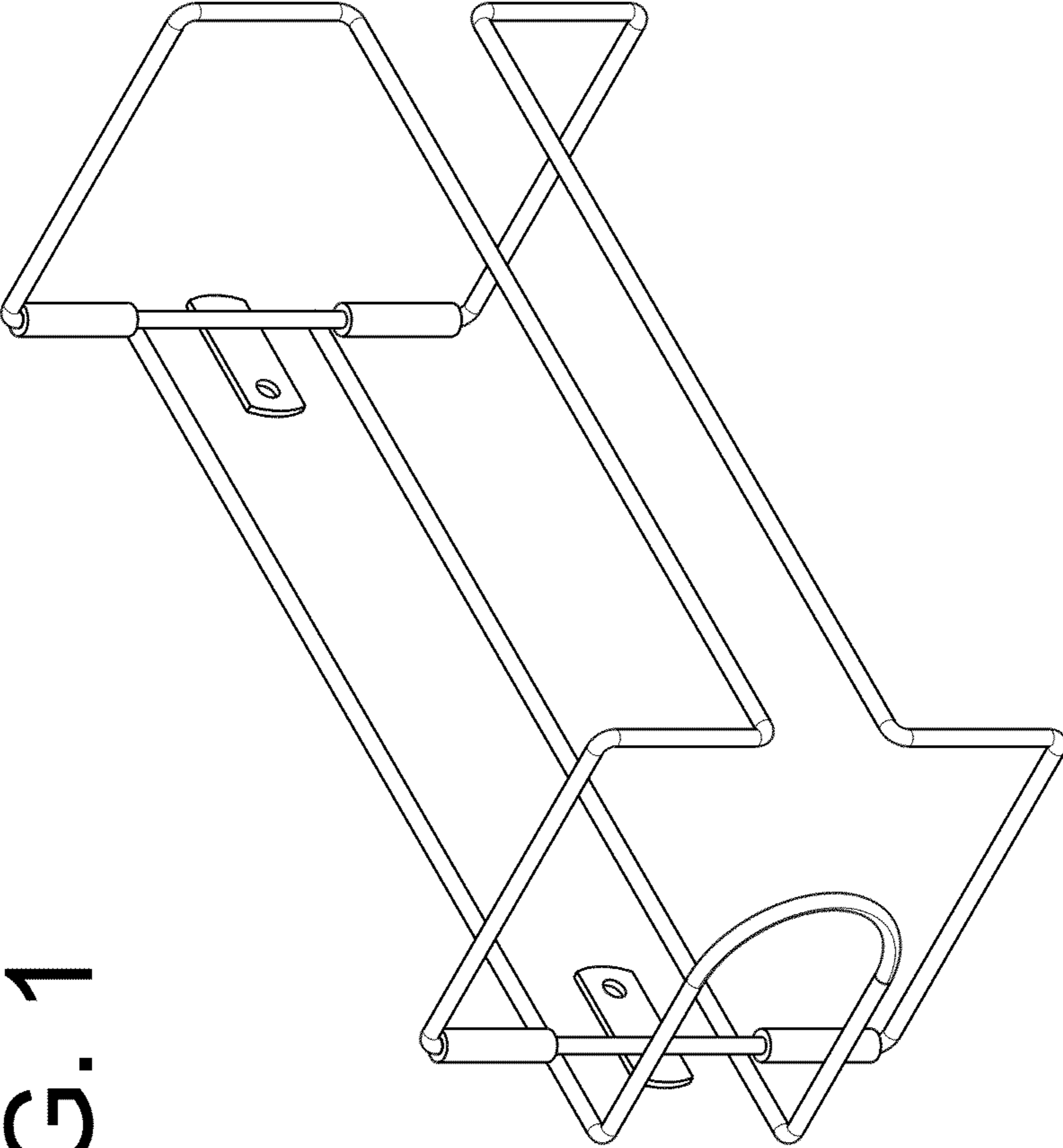
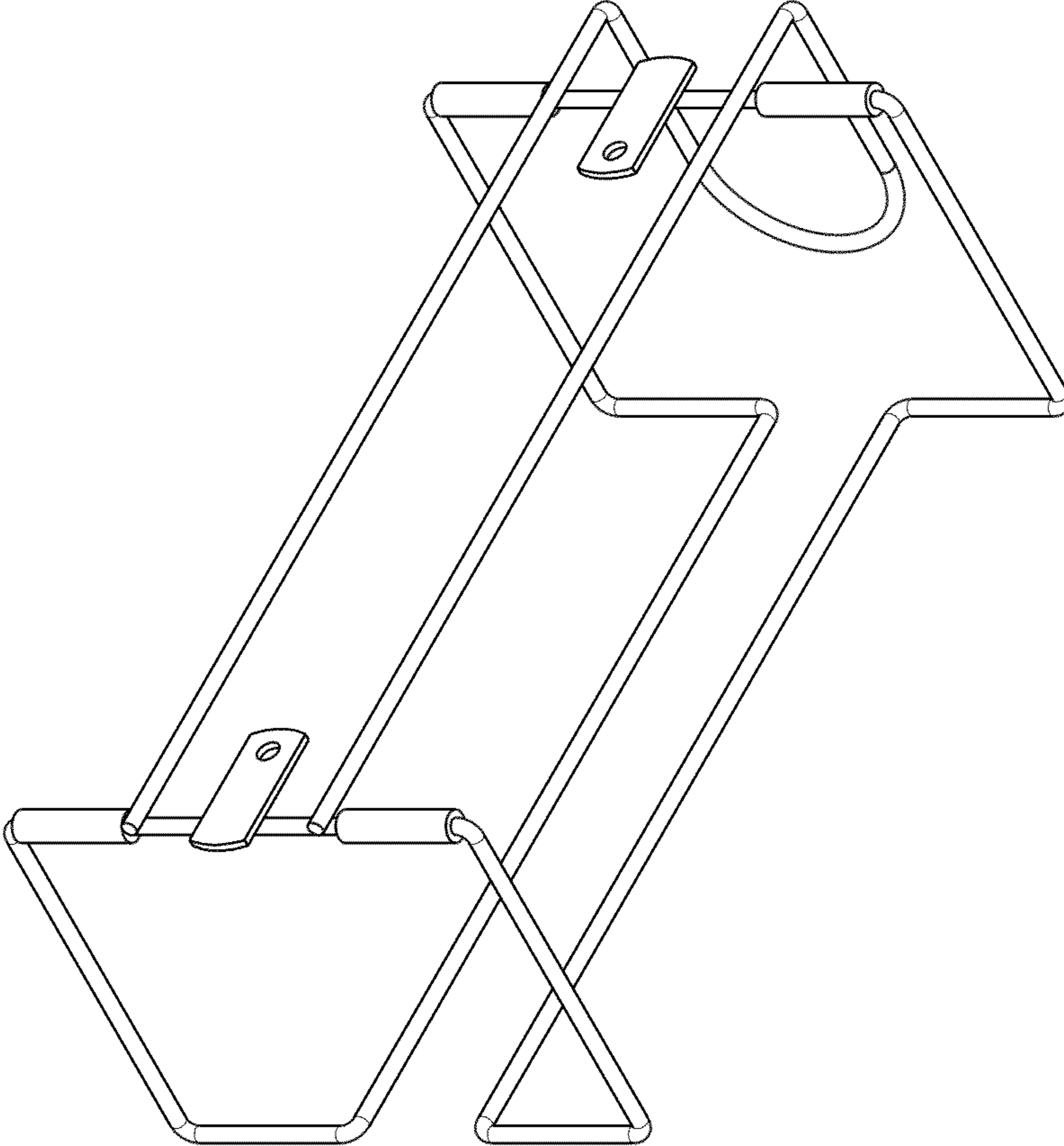


FIG. 1

FIG. 2



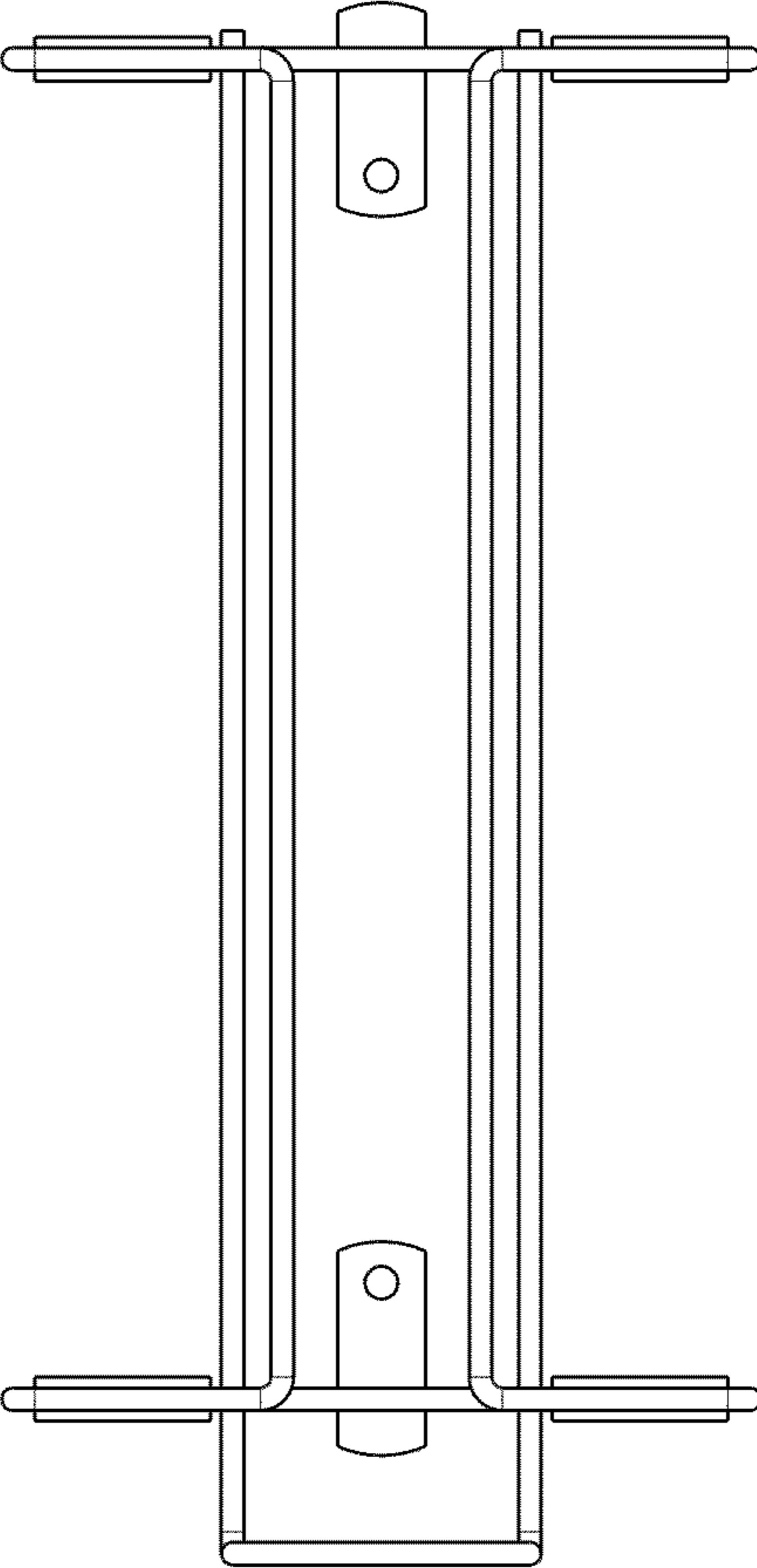


FIG. 3

FIG. 4

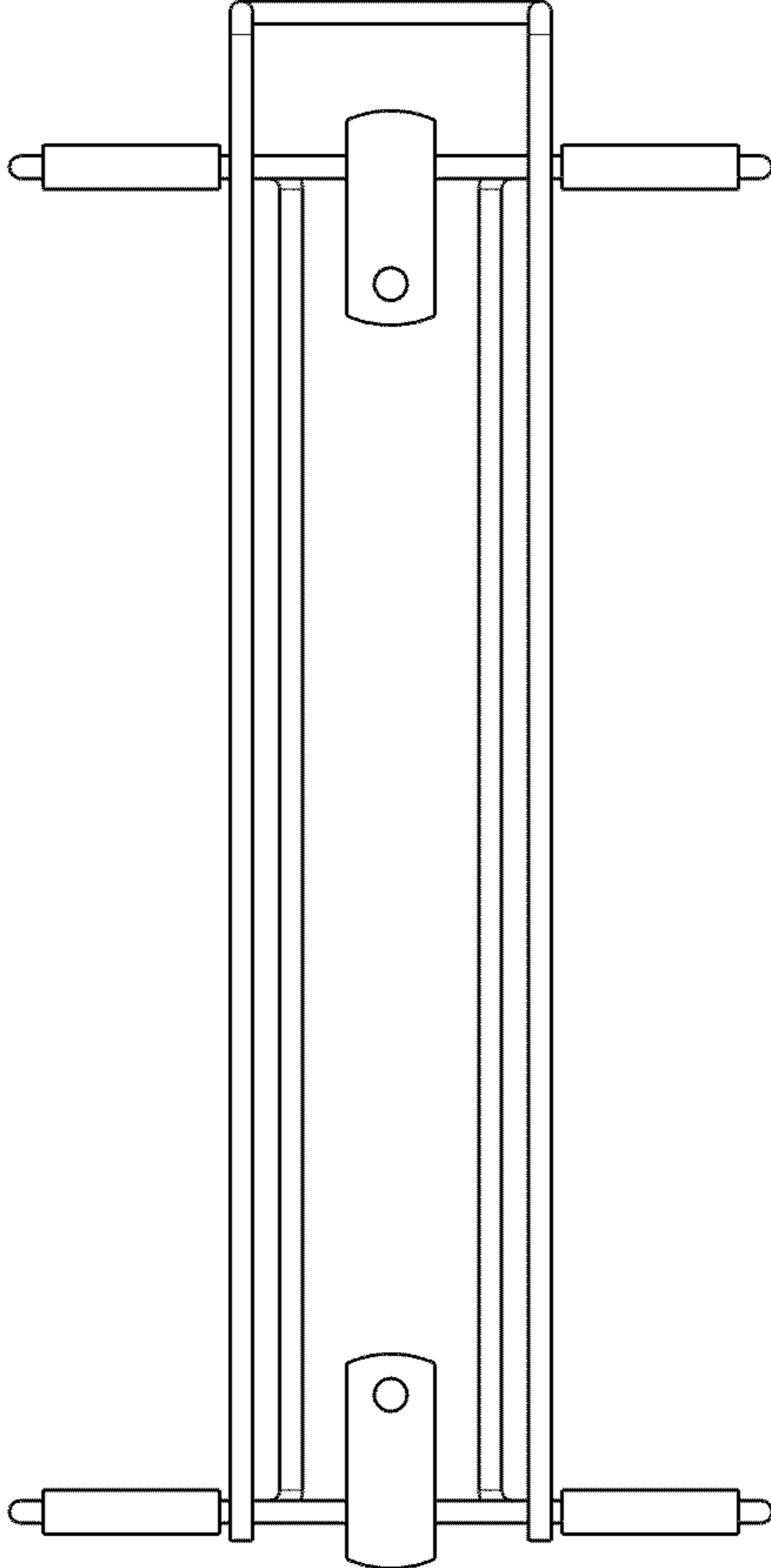


FIG. 5

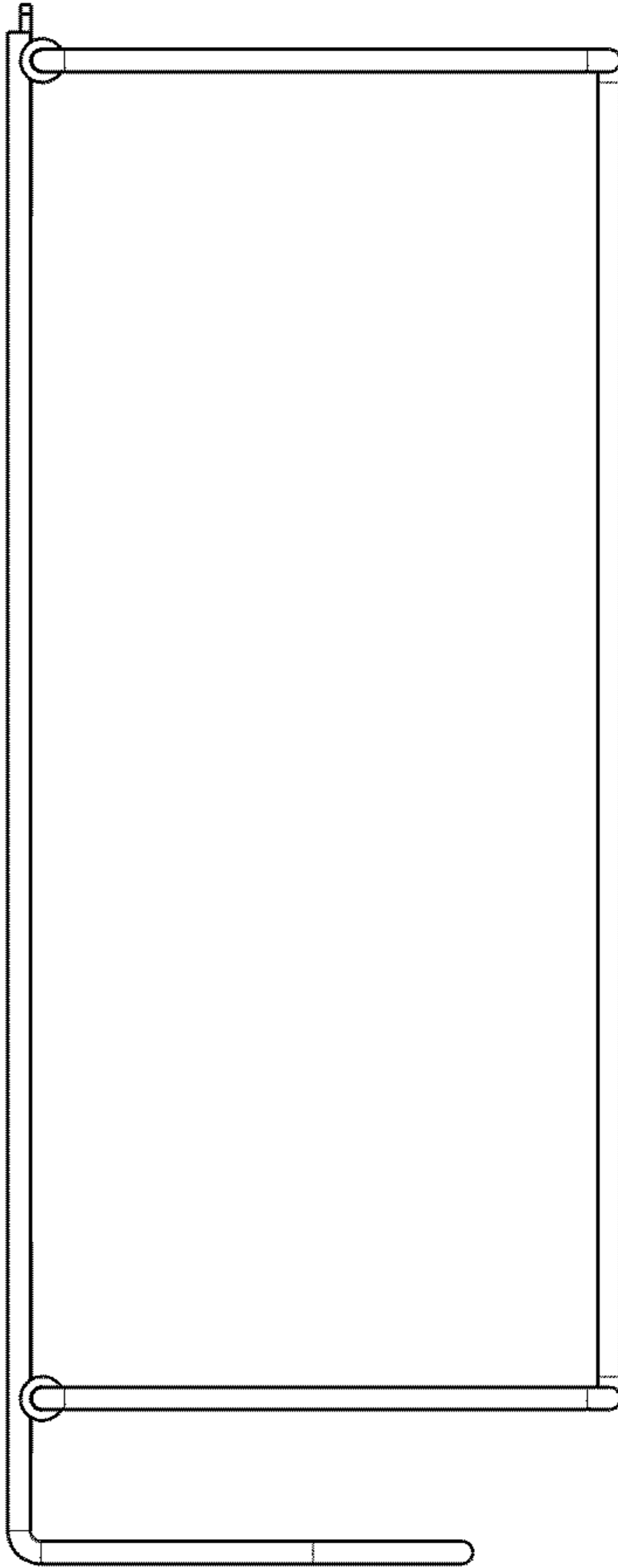


FIG. 6

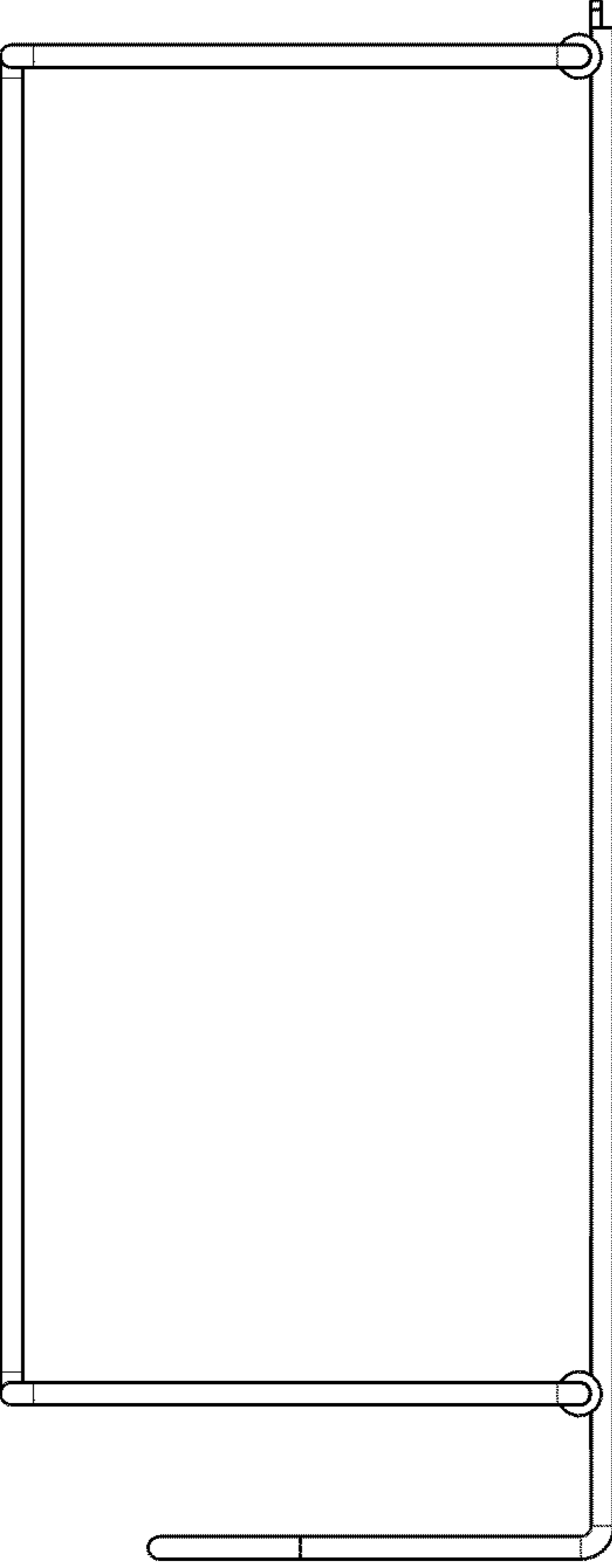


FIG. 7

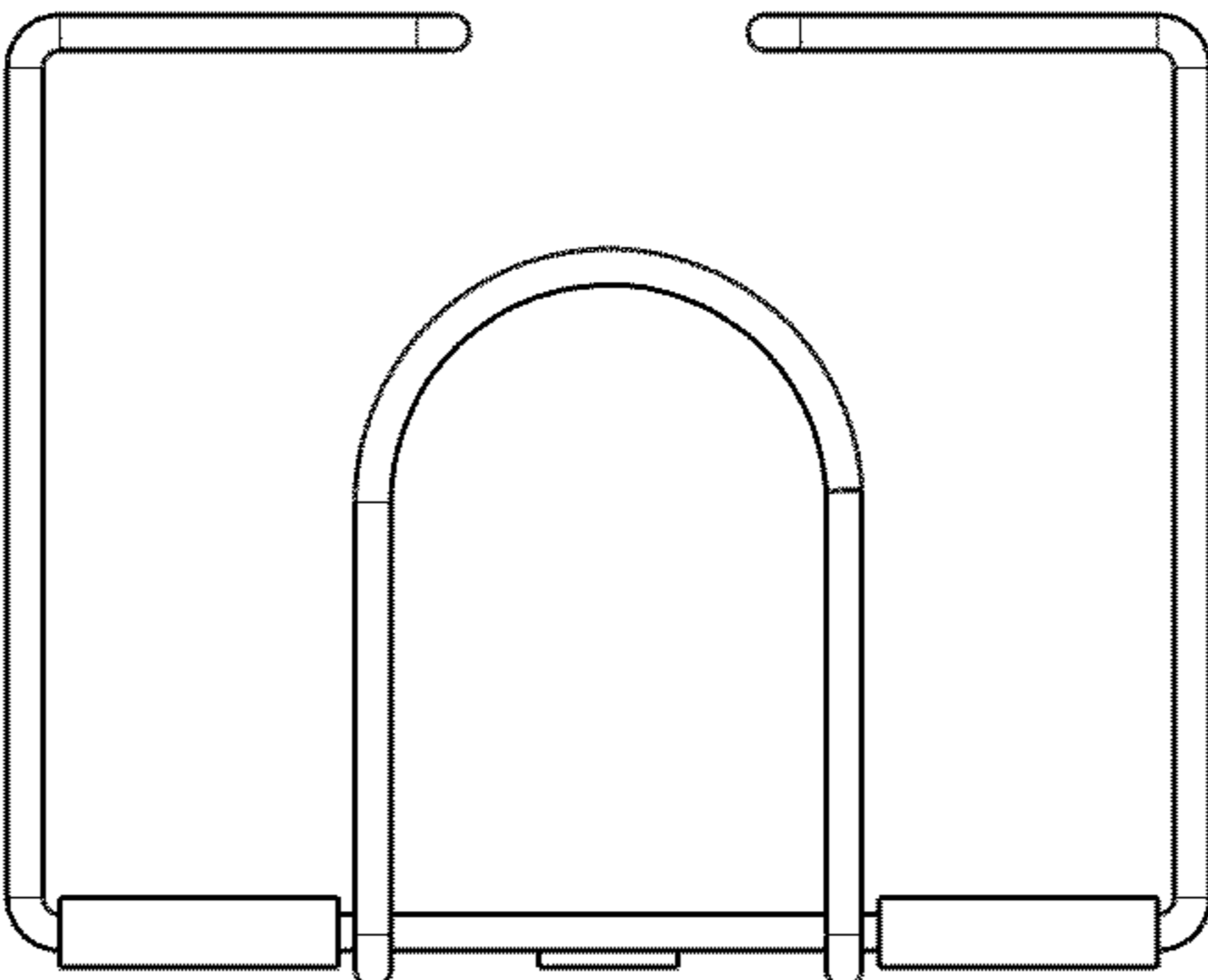


FIG. 8

