



US00D742699S

(12) **United States Design Patent**
Boroski

(10) **Patent No.:** **US D742,699 S**

(45) **Date of Patent:** **** Nov. 10, 2015**

(54) **BOTTLE**

(71) Applicant: **Dwayne Boroski**, Lake in the Hills, IL (US)

(72) Inventor: **Dwayne Boroski**, Lake in the Hills, IL (US)

(73) Assignee: **Thermos L.L.C.**, Schaumburg, IL (US)

(**) Term: **14 Years**

(21) Appl. No.: **29/488,571**

(22) Filed: **Apr. 21, 2014**

(51) **LOC (10) Cl.** **09-01**

(52) **U.S. Cl.**
USPC **D7/608**; D9/500; D9/502

(58) **Field of Classification Search**
USPC D7/509–511, 523, 532, 601–602, 608,
D7/629–630; D9/500, 502–505, 516, 549,
D9/557–558, 715–716, 719; D24/197
CPC B65D 1/00; B65D 1/02; B65D 1/0223;
B65D 23/00; B65D 81/00; B65D 81/3837;
B65D 81/3865; B65D 2501/00; B65D
2501/0009

See application file for complete search history.

(56) **References Cited**

U.S. PATENT DOCUMENTS

D409,492 S * 5/1999 Kato D9/502
D452,799 S * 1/2002 Moran D7/608

D499,649 S * 12/2004 Olivares D9/502
D553,504 S * 10/2007 Goto D9/549
D557,994 S * 12/2007 Wahl D7/608
D629,653 S * 12/2010 Gullickson D7/510
D675,931 S * 2/2013 Kim D9/503
D675,933 S * 2/2013 Kim D9/503
D680,876 S * 4/2013 Kim D9/502
D686,040 S * 7/2013 Lane D7/510
D686,885 S * 7/2013 Meyers D7/629
D695,069 S * 12/2013 Lane D7/510
D696,079 S * 12/2013 Meyers D7/629
D696,119 S * 12/2013 Evans D9/500

* cited by examiner

Primary Examiner — Dana L Meyrow

(74) *Attorney, Agent, or Firm* — Polsinelli PC

(57) **CLAIM**

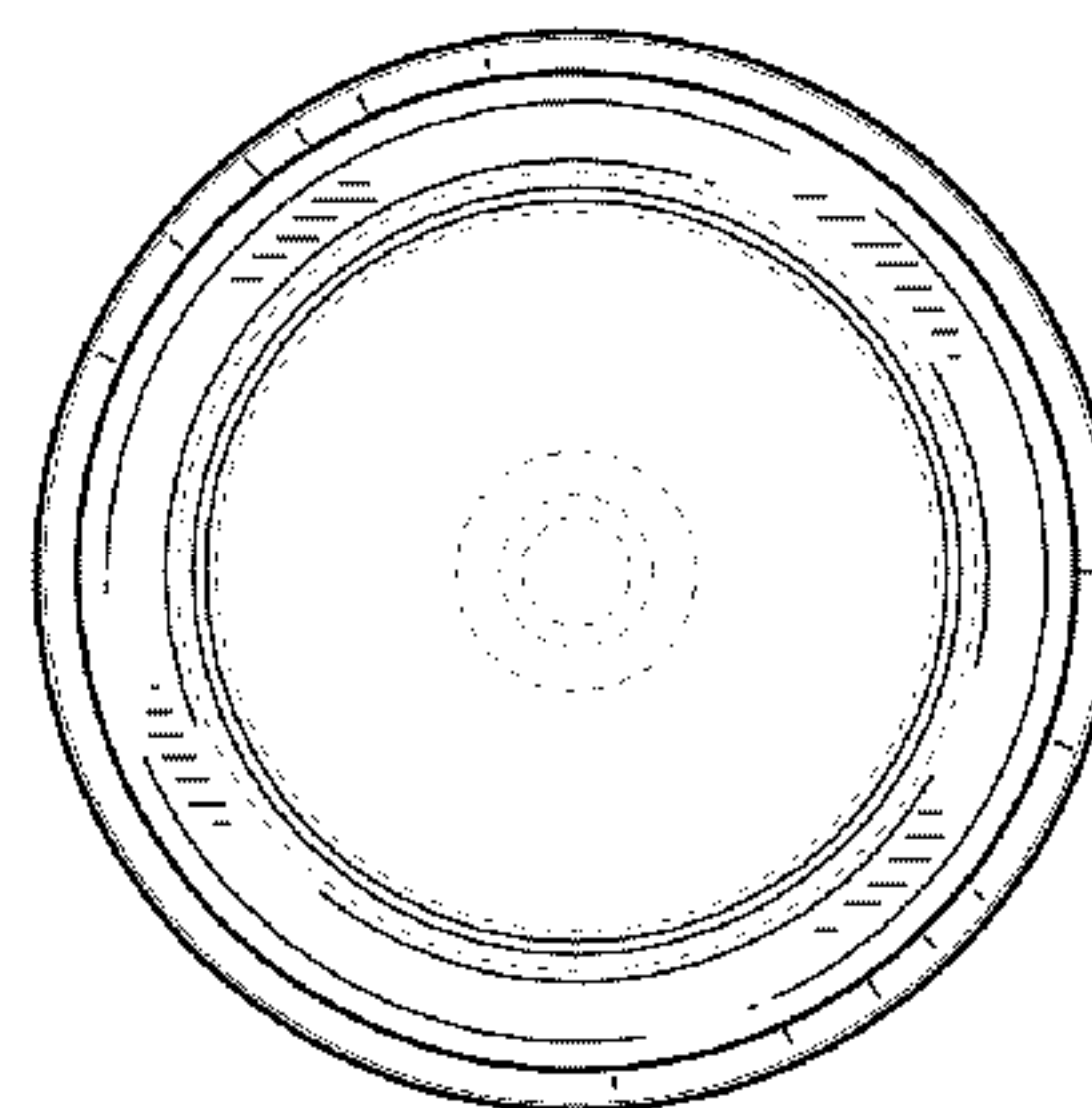
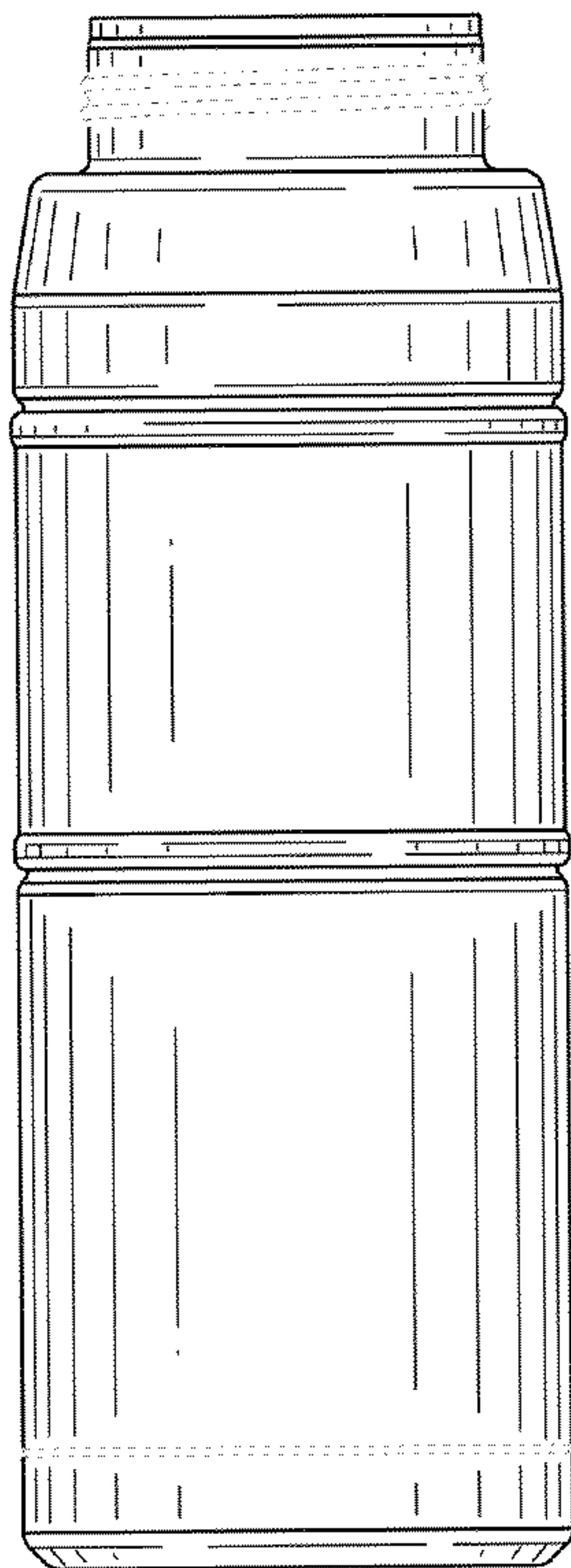
The ornamental design for a bottle, as shown and described.

DESCRIPTION

FIG. 1 is a perspective view of the bottle;
FIG. 2 is a front view of the bottle;
FIG. 3 is a rear view of the bottle;
FIG. 4 is a left side view of the bottle;
FIG. 5 is a right side view of the bottle;
FIG. 6 is a top view of the bottle; and,
FIG. 7 is a bottom view of the bottle.

The broken lines showing in the figures are included for the purpose of illustrating portions of the bottle that form no part of the claimed design.

1 Claim, 4 Drawing Sheets



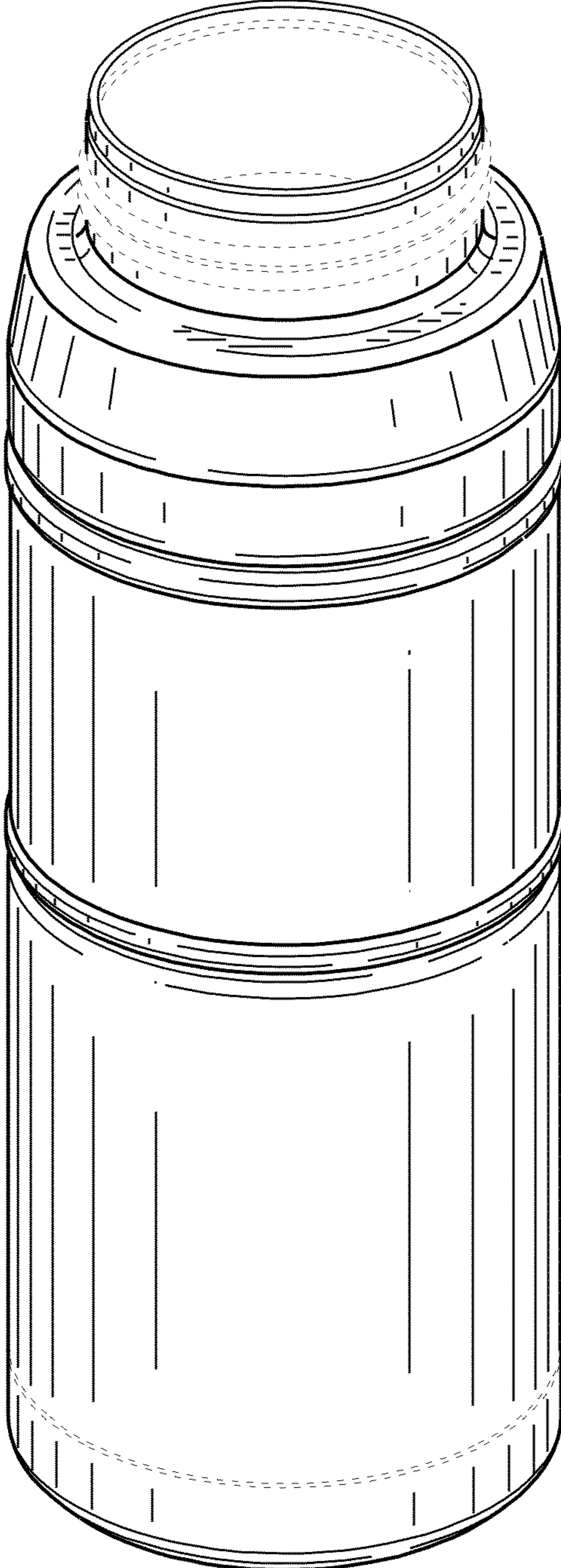


FIG. 1

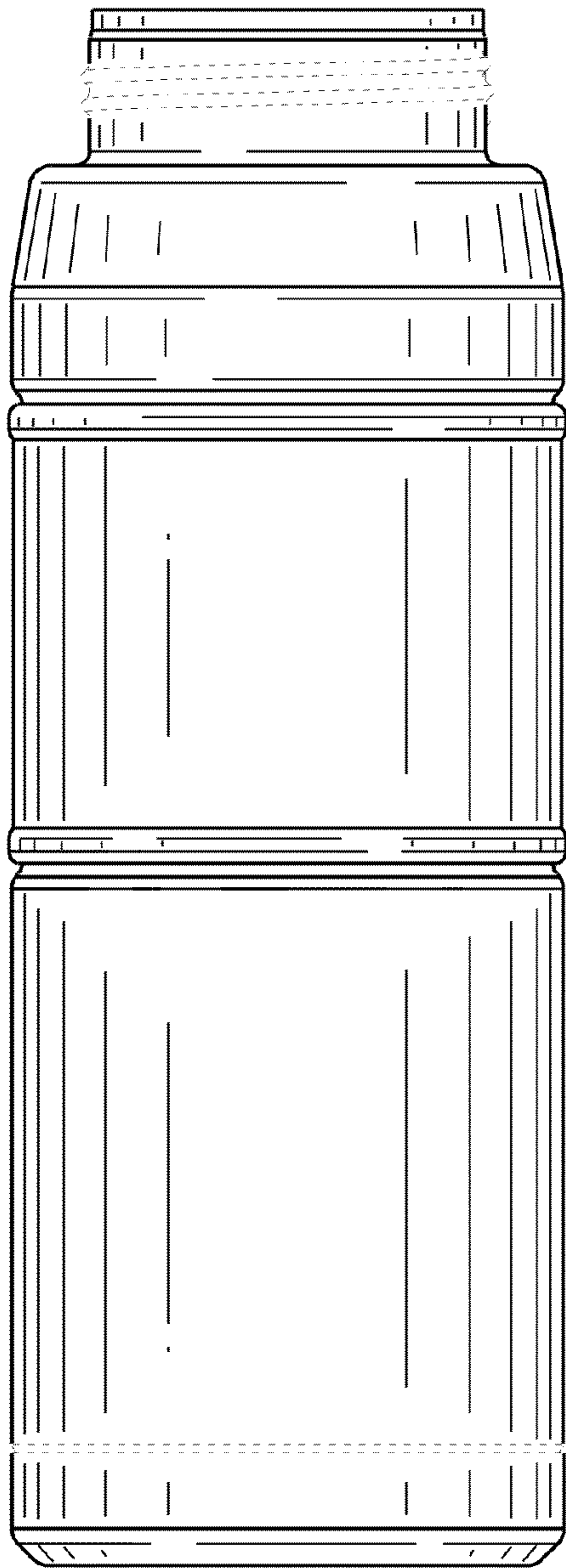


FIG. 2

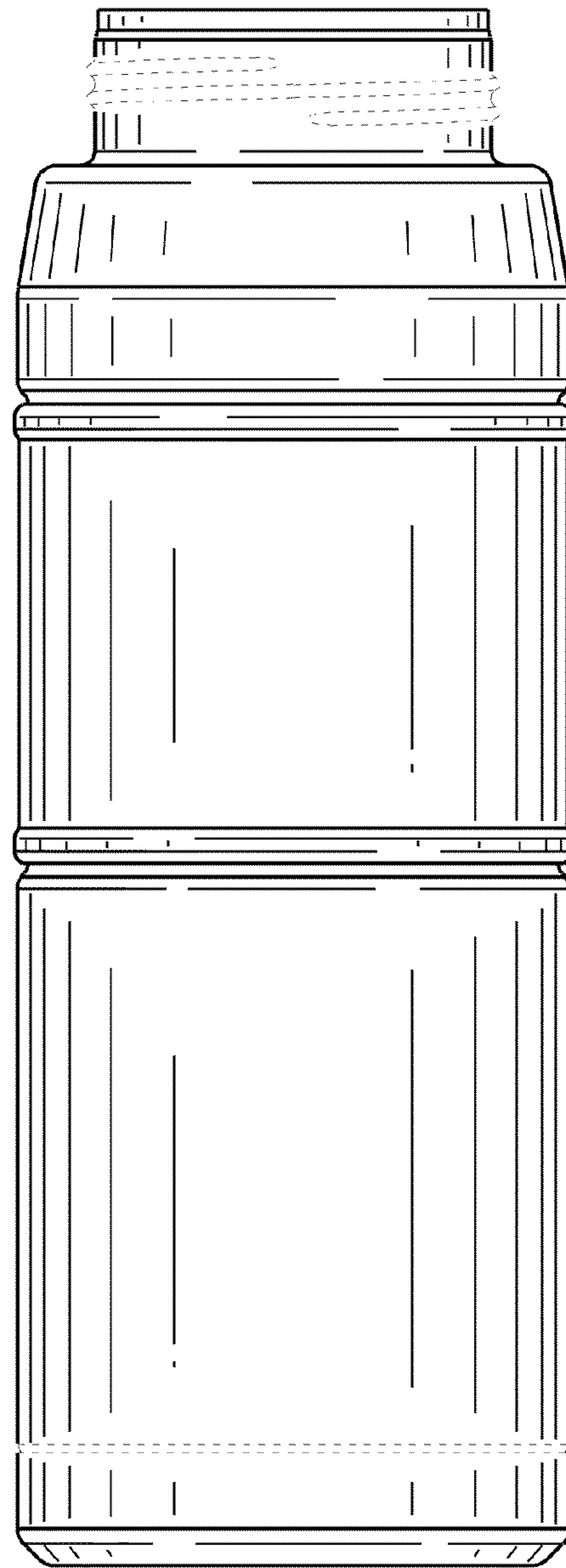


FIG. 3

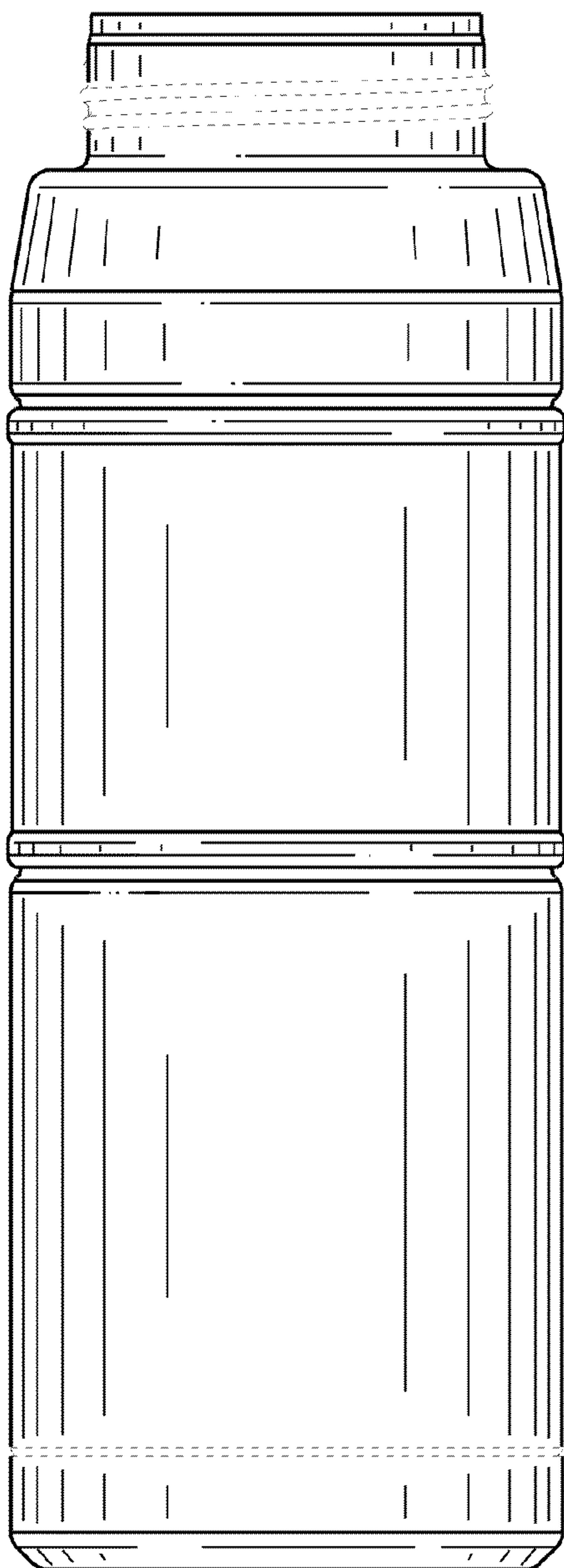


FIG. 4

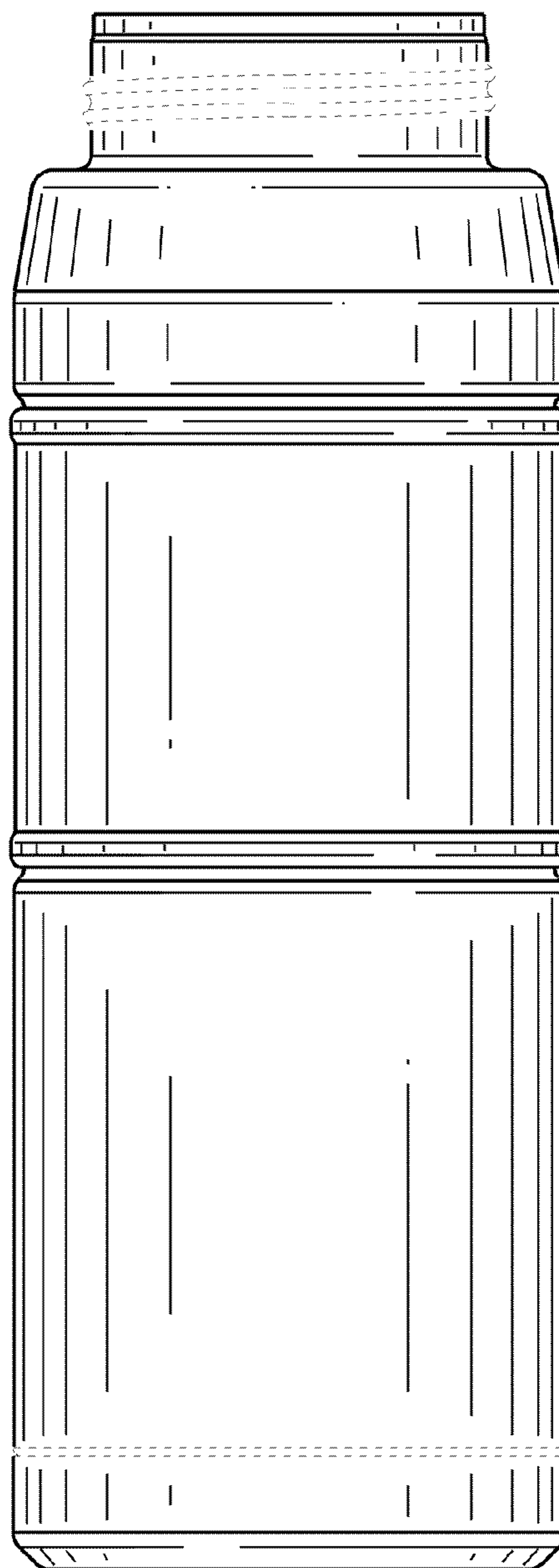


FIG. 5

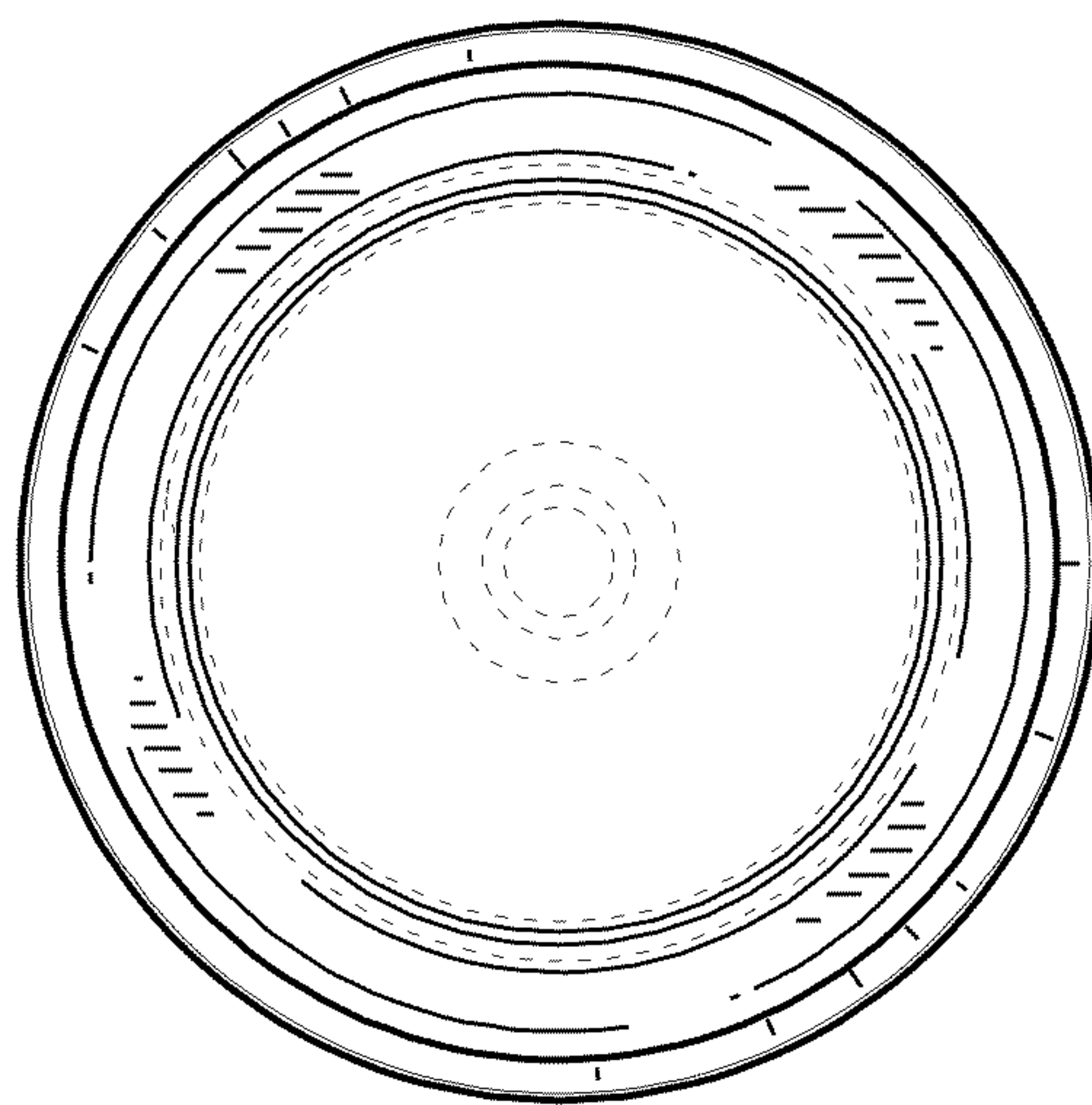


FIG. 6

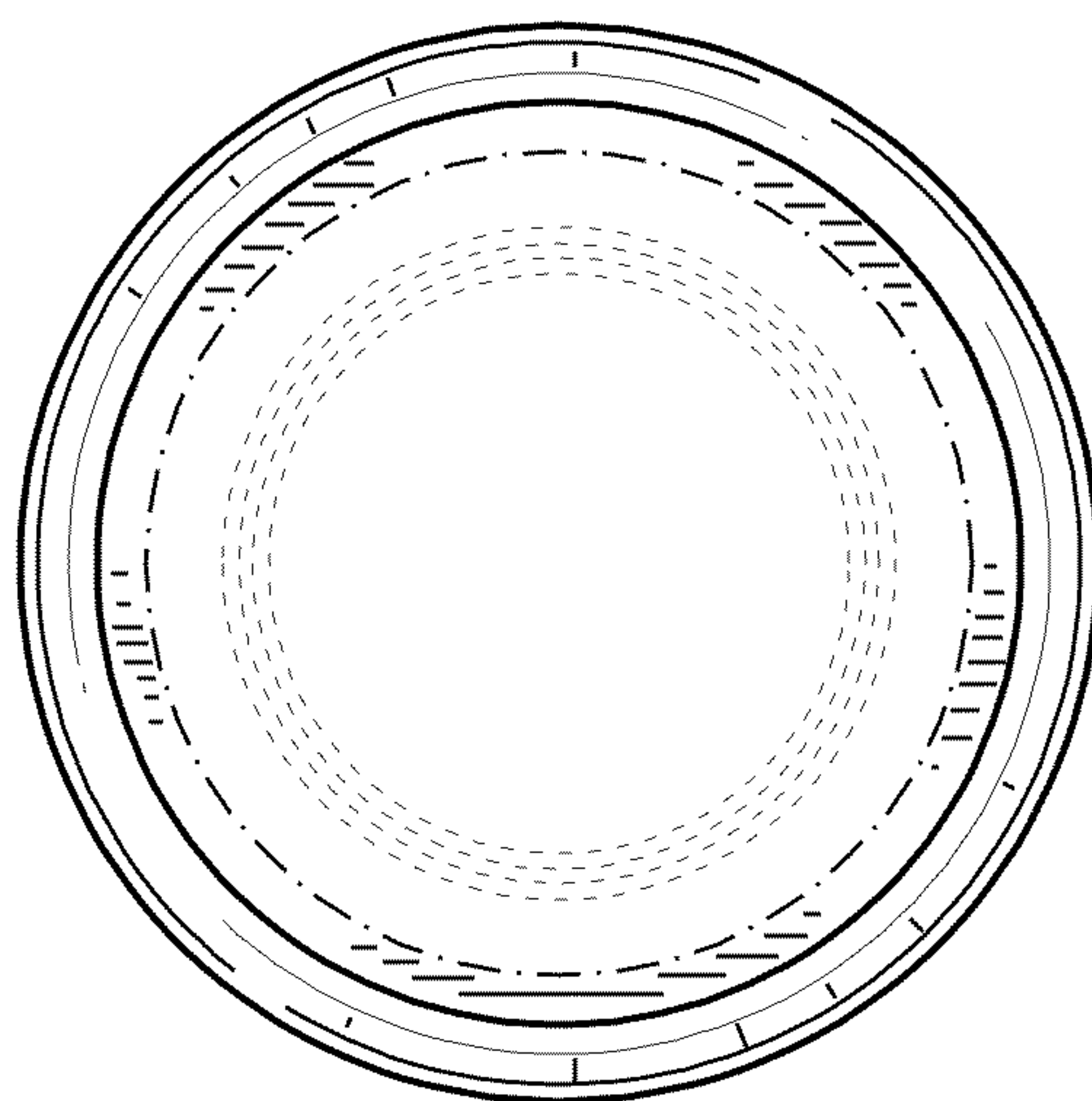


FIG. 7