



US00D742695S

(12) **United States Design Patent**
Pendleton et al.

(10) **Patent No.:** **US D742,695 S**

(45) **Date of Patent:** **** Nov. 10, 2015**

(54) **CUP**

(56) **References Cited**

(71) Applicant: **Reynolds Consumer Products LLC**,
Lake Forest, IL (US)

U.S. PATENT DOCUMENTS

(72) Inventors: **Ned R. Pendleton**, Gurnee, IL (US); **Ike J. Petersen**, Libertyville, IL (US);
Patricia E. Tait, Elmhurst, IL (US);
John O'Connor, Griffith, IN (US); **Jeff Hautzinger**, Chicago, IL (US)

D95,593	S	*	5/1935	Kramer	D7/514
2,088,181	A	*	7/1937	Swift, Jr.	229/4.5
3,123,273	A	*	3/1964	Miller	229/400
D208,485	S	*	9/1967	Ahlbrandt	D7/531
D208,872	S	*	10/1967	Davis	D7/531
3,397,867	A	*	8/1968	Van't Hoff	366/341
3,401,862	A	*	9/1968	Wanderer	229/400
3,437,253	A	*	4/1969	McDonald et al.	229/400
3,471,075	A	*	10/1969	Wolf	229/400
3,653,575	A	*	4/1972	Schrepper	206/519
3,850,361	A	*	11/1974	Day et al.	229/400
4,052,037	A	*	10/1977	Mair et al.	366/341
D248,916	S	*	8/1978	Reynolds et al.	D7/523
D272,794	S	*	2/1984	Dart	D7/532
4,446,969	A	*	5/1984	Tyler	206/519
D397,912	S	*	9/1998	Goessling, Jr.	D7/536
5,820,016	A	*	10/1998	Stropkay	229/403
D405,387	S	*	2/1999	Masello	D11/152
D417,819	S	*	12/1999	Kelly-Pollet	D7/510
D468,588	S	*	1/2003	Norris et al.	D7/532
6,554,154	B1	*	4/2003	Chauhan et al.	220/671
D490,655	S	*	6/2004	Zettle et al.	D7/532

(73) Assignee: **REYNOLDS CONSUMER PRODUCTS LLC**, Lake Forest, IL (US)

(**) Term: **14 Years**

(21) Appl. No.: **29/495,641**

(22) Filed: **Jul. 2, 2014**

(51) **LOC (10) Cl.** **07-01**

(52) **U.S. Cl.**
USPC **D7/532**; D7/523; D7/509

(58) **Field of Classification Search**
USPC D7/509, 512, 514, 516, 517, 523, 529,
D7/532, 591, 594, 608, 624.1, 624.2, 391,
D7/392.1, 396.2, 396.4, 519, 607; D9/501,
D9/502, 444; 220/592.16, 592.17, 592.23,
220/592.24, 674, 676; 229/400, 403, 405;
215/382; 206/520; D11/3, 4, 6;
D3/202; D5/1, 2, 3, 4, 17, 23, 25, 29,
D5/58; D25/60, 153, 156, 157, 164, 261,
D25/259
CPC A47G 19/2288; A47G 2023/0291;
A47G 19/2205; A47G 19/22; B65D 3/22;
B65D 1/265

See application file for complete search history.

(Continued)

Primary Examiner — Marianne Pandozzi

Assistant Examiner — Jae Liang

(74) *Attorney, Agent, or Firm* — Baker Botts L.L.P.

(57) **CLAIM**

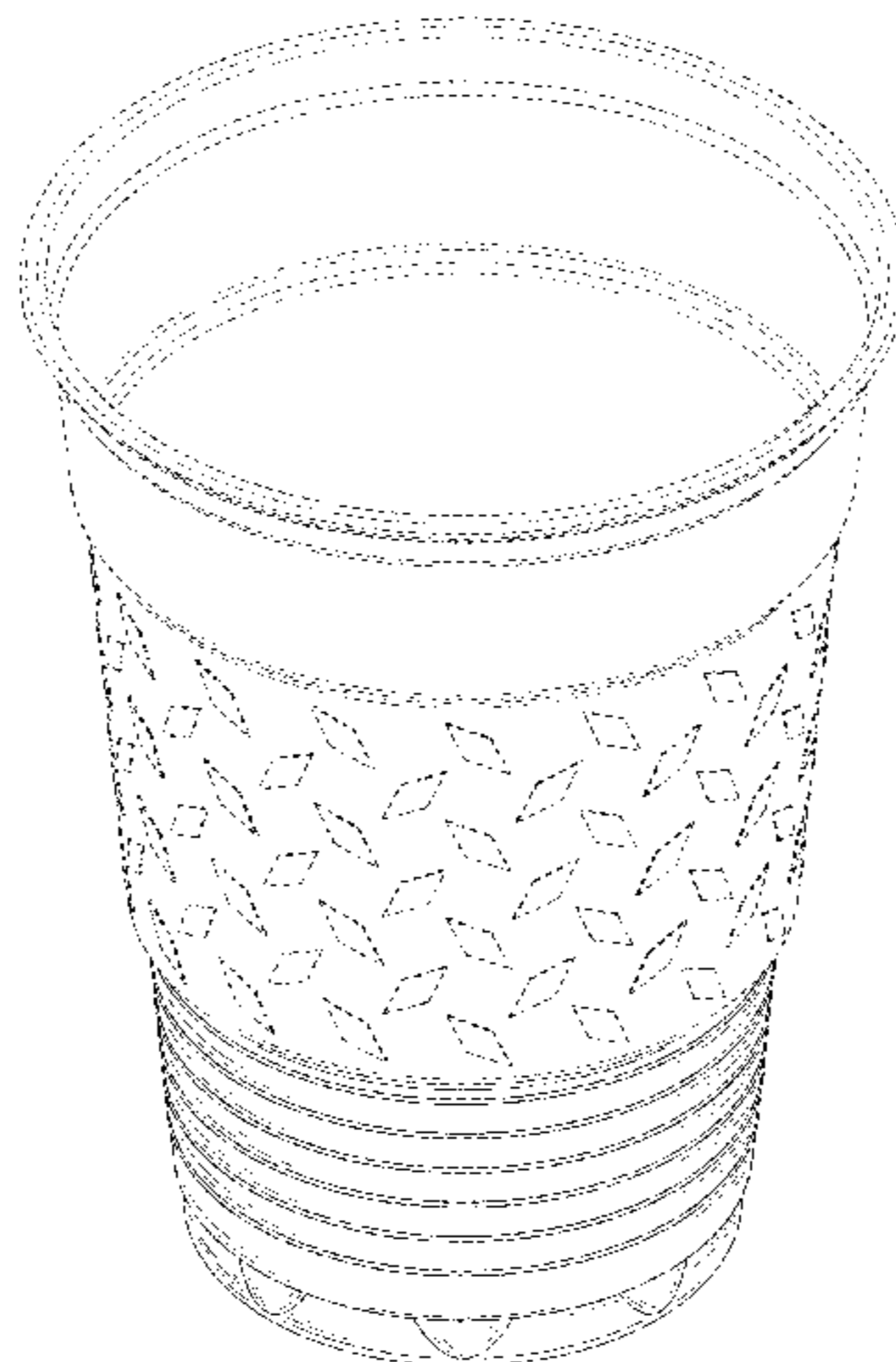
The ornamental design for a cup, as shown and described.

DESCRIPTION

FIG. 1 is a perspective view of a cup showing our new design;
FIG. 2 is a front view thereof;
FIG. 3 is a rear view thereof;
FIG. 4 is a left side view thereof;
FIG. 5 is a right side view thereof;
FIG. 6 is a top view of the cup thereof; and,
FIG. 7 is a bottom view thereof.

The broken line showing in the figure drawings are included for the purpose of illustration and form no part of the claimed design.

1 Claim, 7 Drawing Sheets



(56)

References Cited

U.S. PATENT DOCUMENTS

D533,748 S *	12/2006	Bresler	D7/523	D593,802 S *	6/2009	Baek	D7/532
7,281,649 B2 *	10/2007	Pyper, Jr.	229/400	D607,692 S *	1/2010	Skala	D7/532
D563,173 S *	3/2008	Karam	D7/529	D619,852 S *	7/2010	Bodum	D7/532
D568,106 S *	5/2008	Karam	D7/532	D650,634 S *	12/2011	Hodge et al.	D7/532
D570,159 S *	6/2008	McGill	D7/532	D655,573 S *	3/2012	O'Connor	D7/532
D572,083 S *	7/2008	Tien	D7/510	D667,272 S *	9/2012	Fishman et al.	D7/532
				D672,610 S *	12/2012	Park et al.	D7/510
				D680,377 S *	4/2013	Romley	D7/532
				D717,606 S *	11/2014	Kristinik	D7/532

* cited by examiner

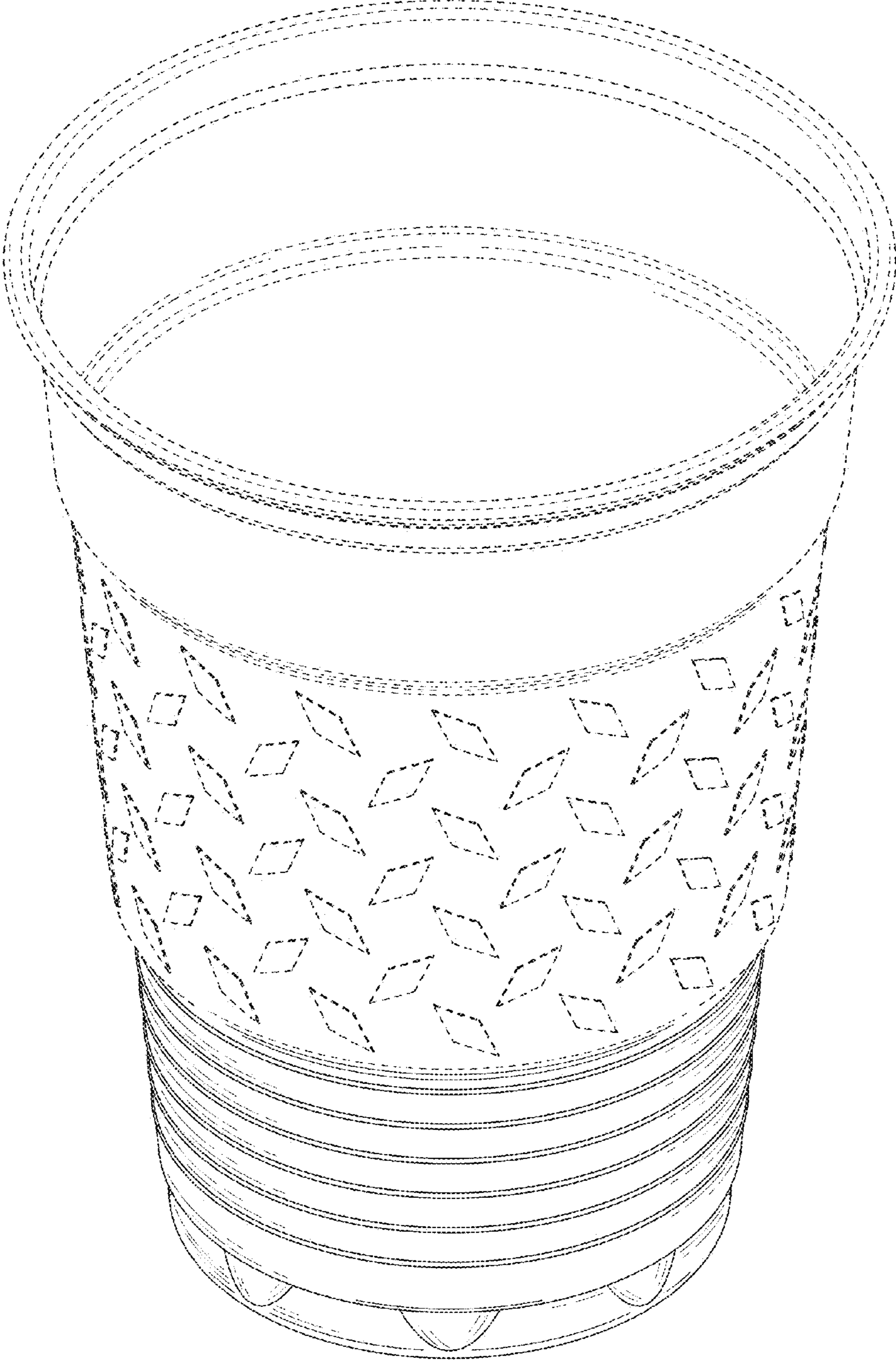


FIG. 1

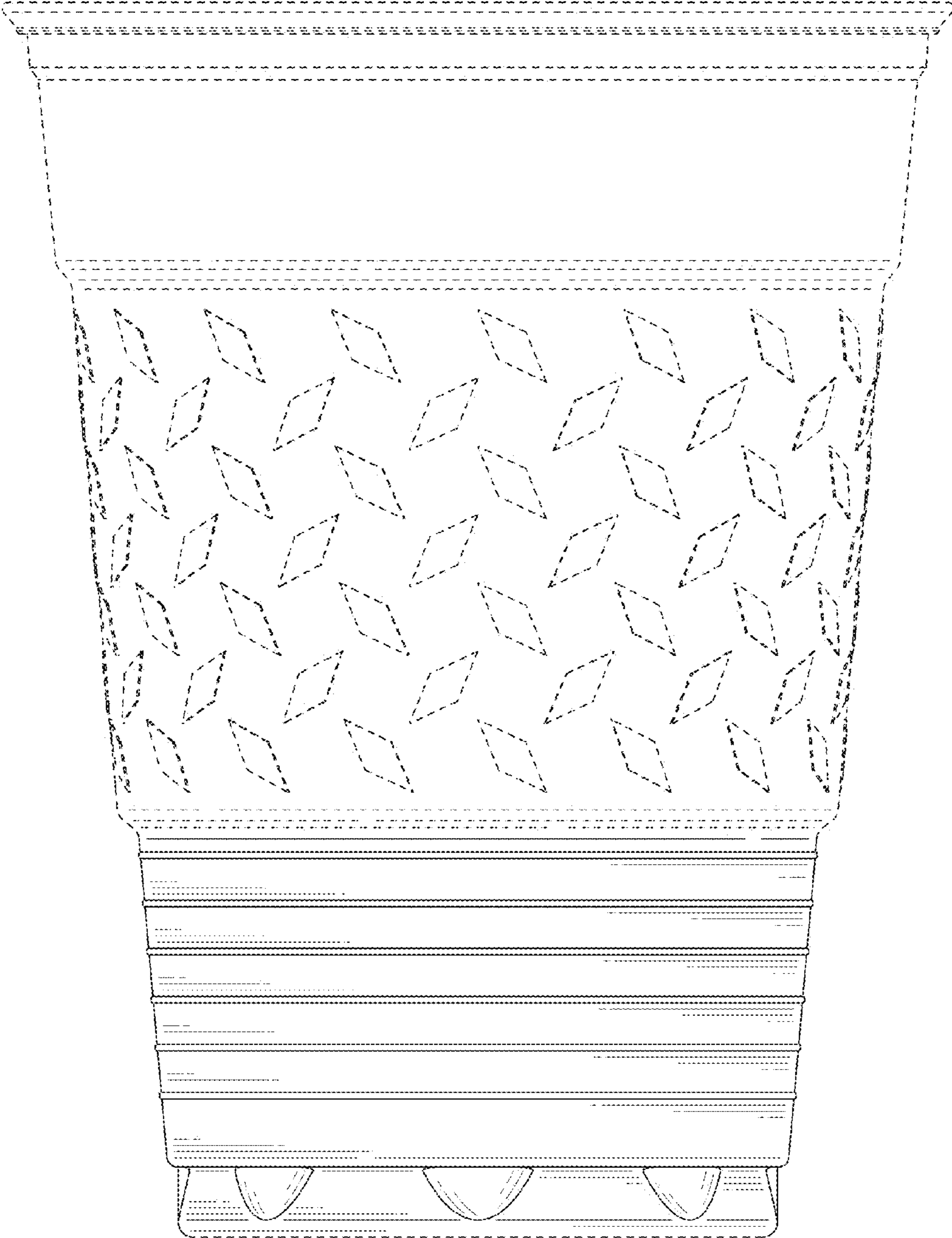


FIG. 2

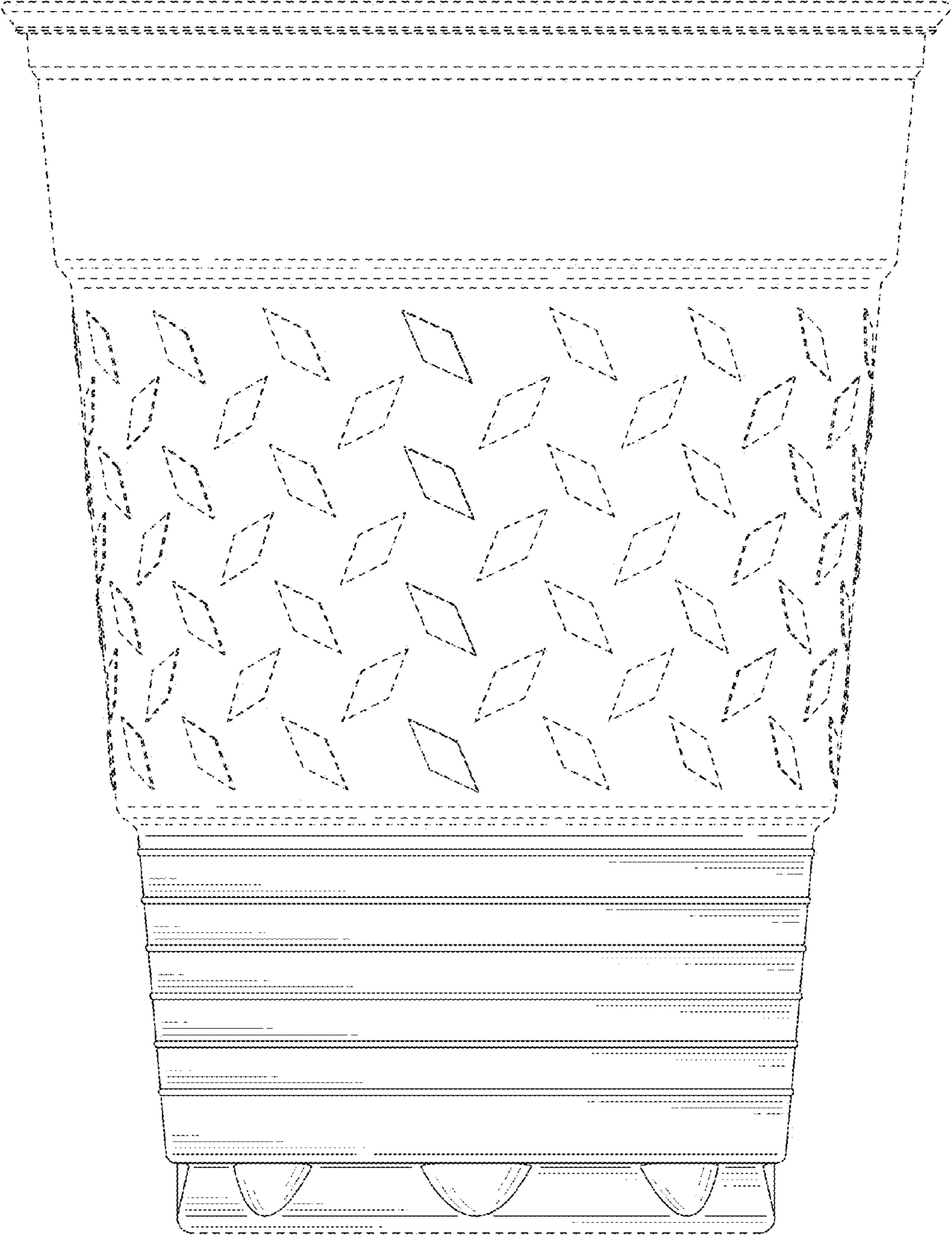


FIG. 3

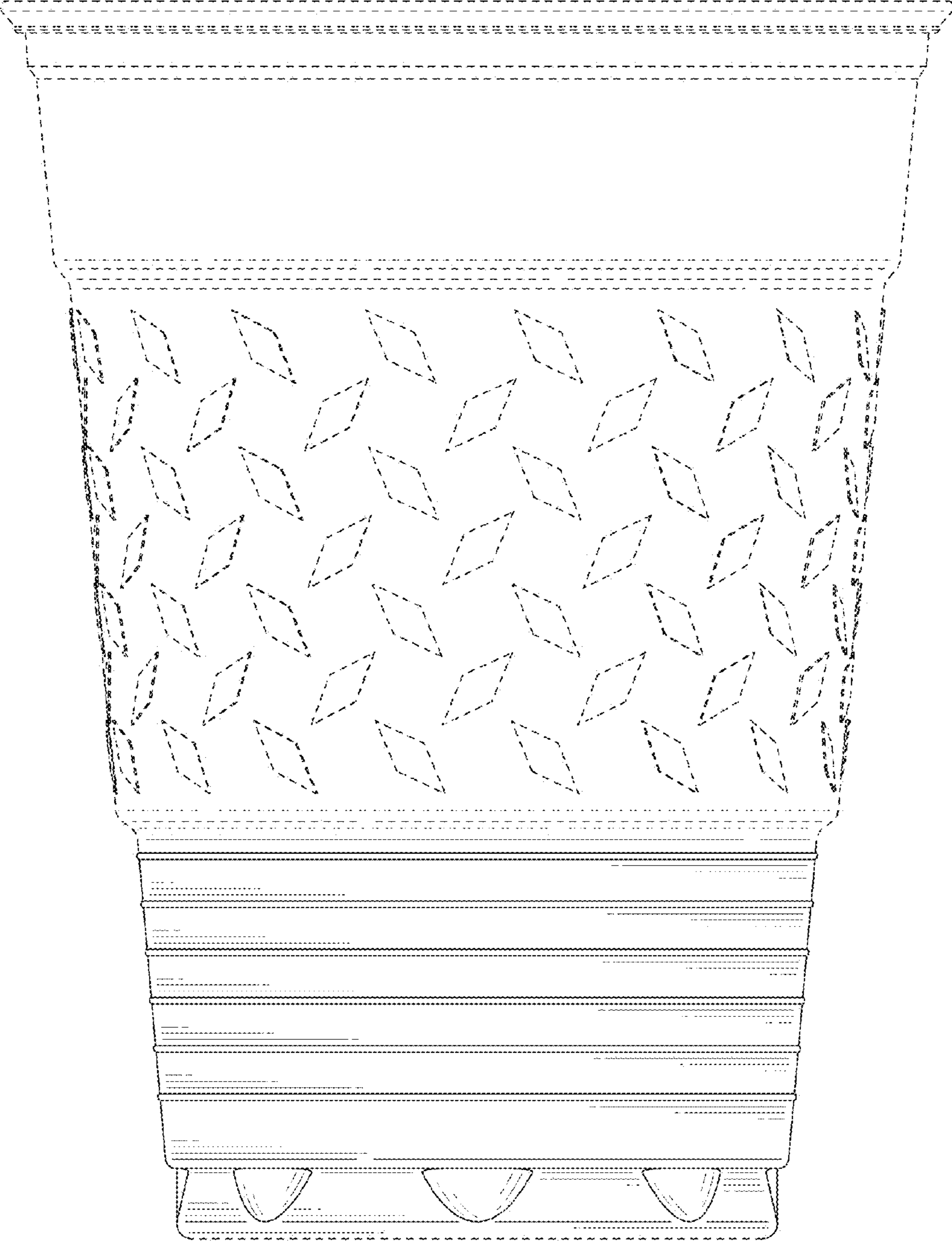


FIG. 4

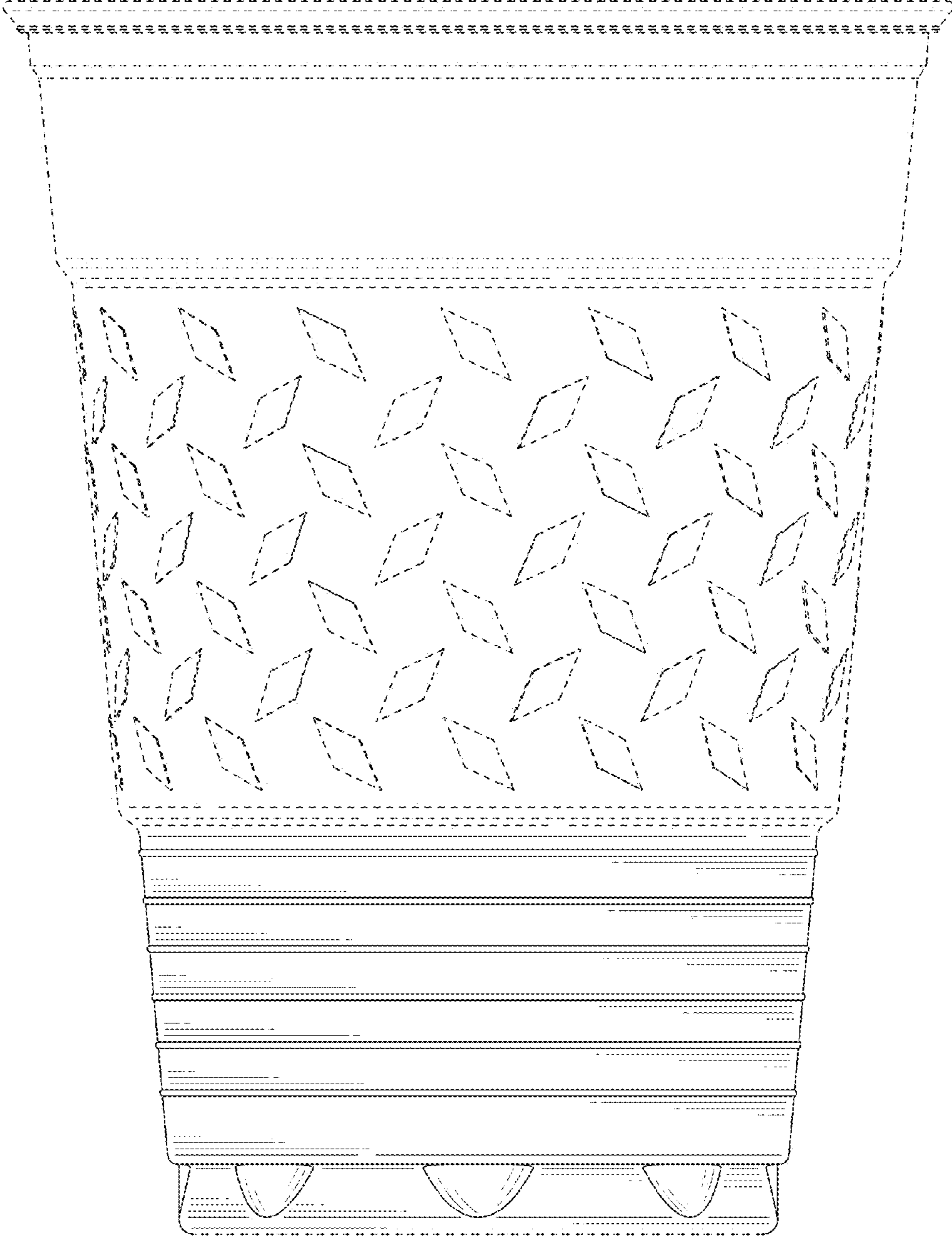


FIG. 5

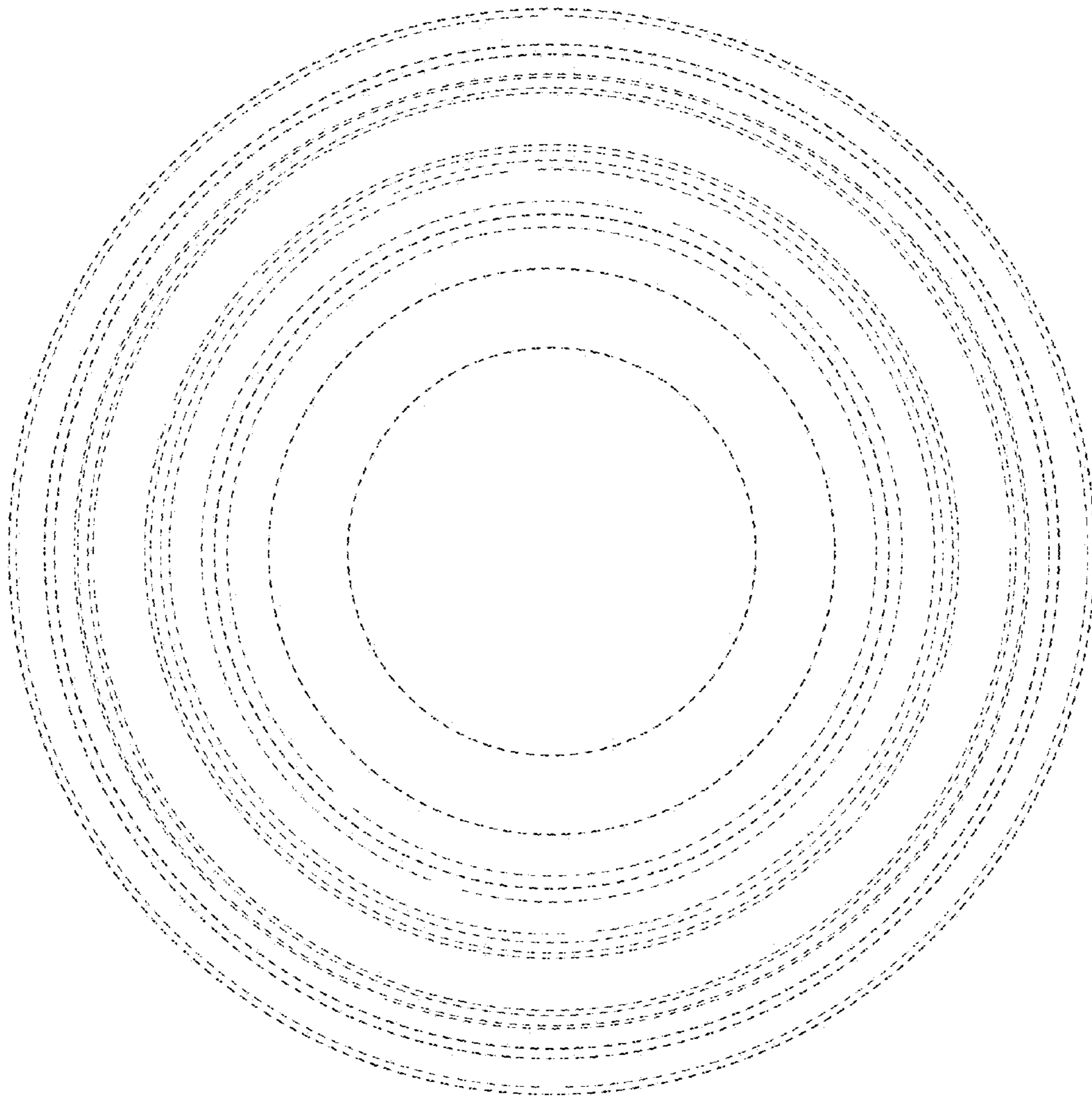


FIG. 6

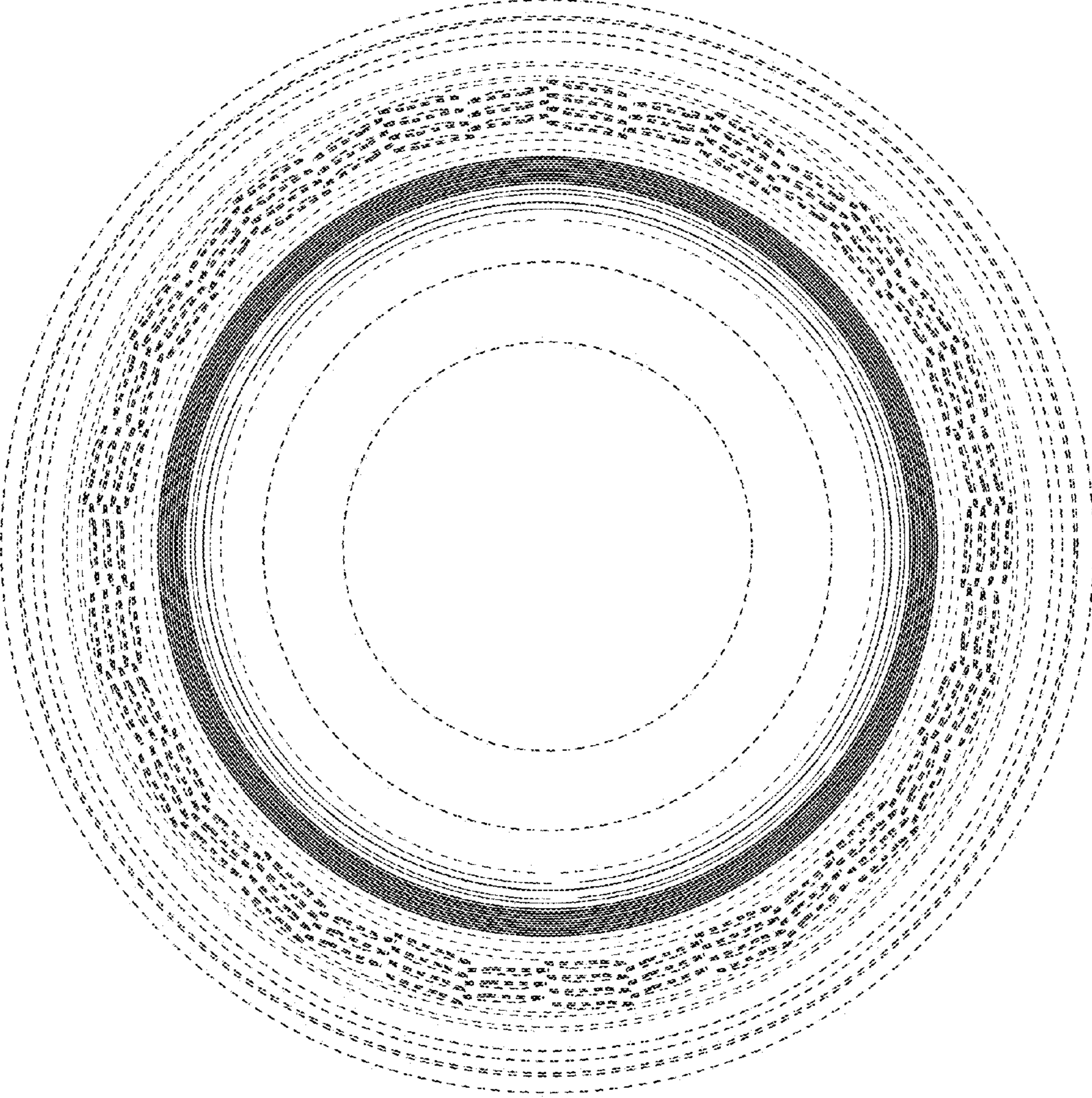


FIG. 7