



US00D742694S

(12) **United States Design Patent**
Malaspino

(10) **Patent No.:** **US D742,694 S**

(45) **Date of Patent:** **** Nov. 10, 2015**

(54) **BEVERAGE VESSEL**

(71) Applicant: **True Fabrications, Inc.**, Seattle, WA
(US)

(72) Inventor: **Erin Marie Malaspino**, Seattle, WA
(US)

(73) Assignee: **True Fabrications, Inc.**, Seattle, WA
(US)

(**) Term: **14 Years**

(21) Appl. No.: **29/498,486**

(22) Filed: **Aug. 4, 2014**

(51) **LOC (10) Cl.** **07-01**

(52) **U.S. Cl.**
USPC **D7/524; D7/523; D7/532**

(58) **Field of Classification Search**
USPC D7/523, 532, 507, 509, 514, 515, 524,
D7/516, 519, 533, 535, 536; 220/713, 703,
220/592.16; D11/154
CPC . A47G 19/2205; A47G 19/2211; A47J 39/00;
A47J 47/18; B65D 7/46
See application file for complete search history.

(56) **References Cited**

U.S. PATENT DOCUMENTS

1,829,664 A * 10/1931 McKay 211/2
2,143,027 A * 1/1939 Perry 215/374

D167,667 S *	9/1952	Babany	D7/513
D355,792 S *	2/1995	White	D6/674
D448,619 S *	10/2001	Pau	D7/503
D491,019 S *	6/2004	Marsden et al.	D7/523
D506,355 S *	6/2005	Donnellan et al.	D7/524
D515,359 S *	2/2006	Andrews	D7/524
D527,223 S *	8/2006	Thun	D7/524
D531,452 S *	11/2006	Toth	D7/509
D602,309 S *	10/2009	Pourounidis et al.	D7/524
D604,984 S *	12/2009	Kalamaras	D7/300.1
D615,363 S *	5/2010	Lion et al.	D7/524
D675,875 S *	2/2013	Miller	D7/523
D716,100 S *	10/2014	Montet	D7/523
D717,603 S *	11/2014	Federighi	D7/523
D725,969 S *	4/2015	Garner	D7/523
D731,245 S *	6/2015	Beller	D7/523

* cited by examiner

Primary Examiner — Marianne Pandozzi

(74) *Attorney, Agent, or Firm* — Vicky Kaur Bajwa

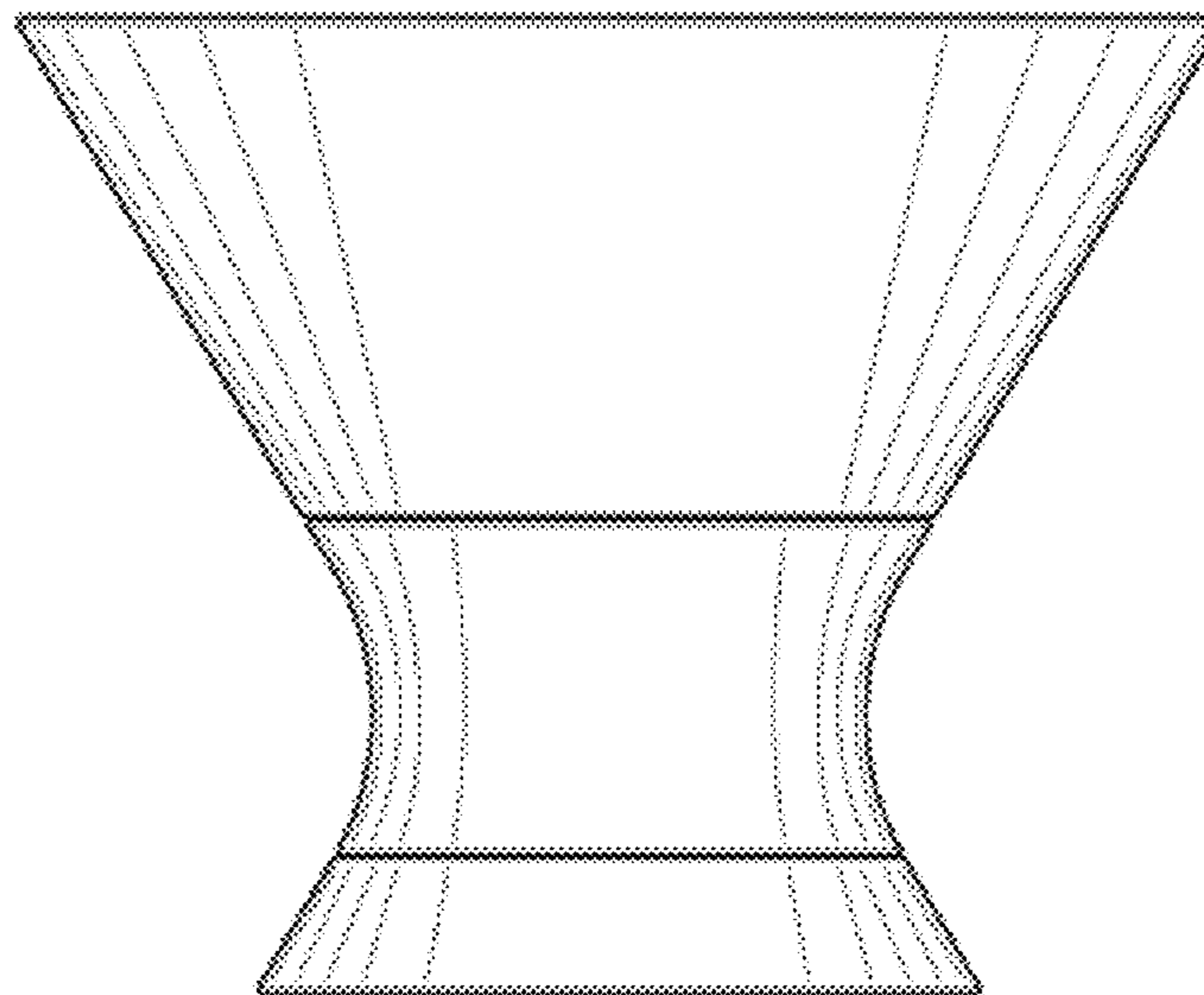
(57) **CLAIM**

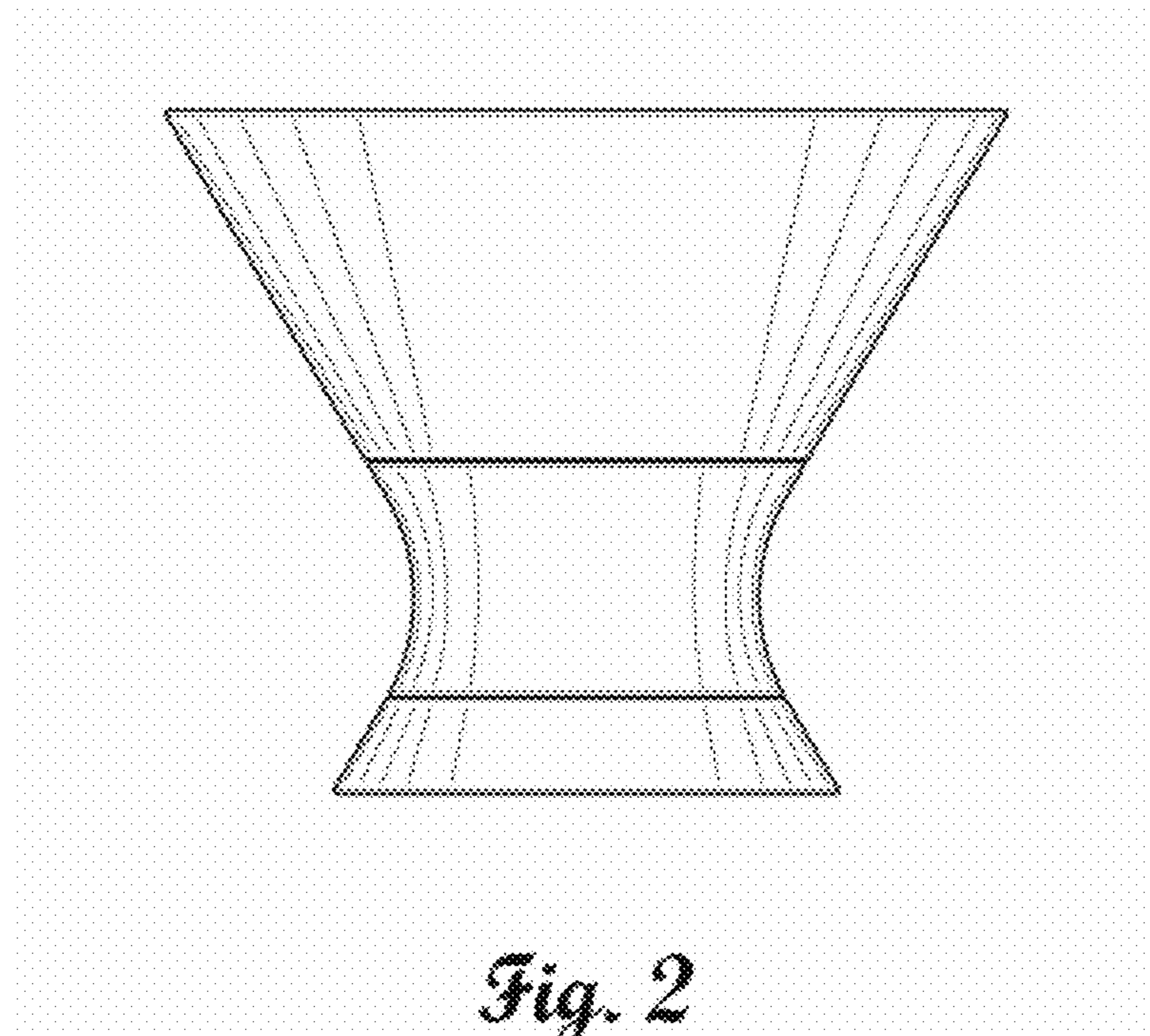
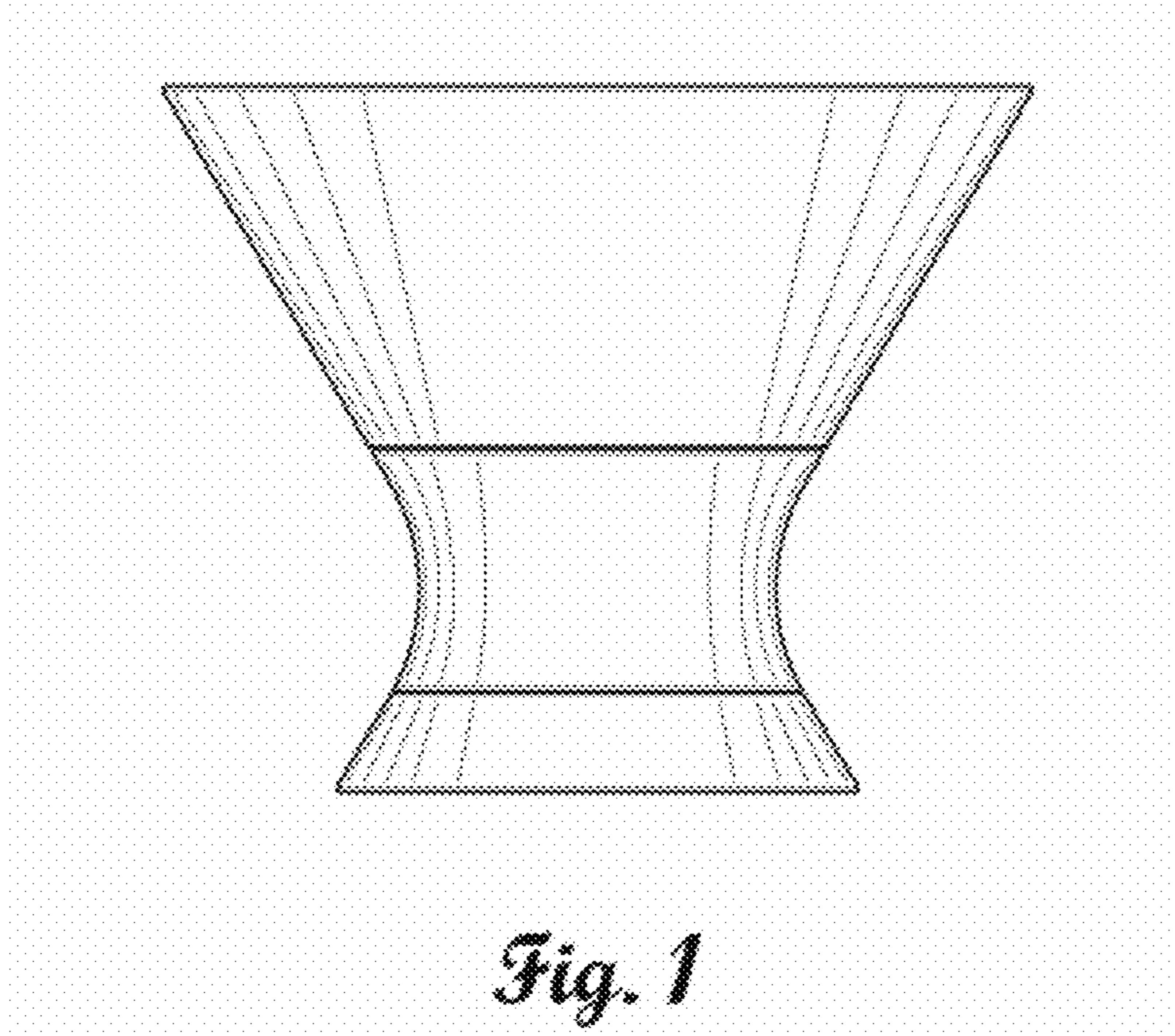
The ornamental design for a beverage vessel, as shown and described.

DESCRIPTION

FIG. 1 is a front elevation view of a beverage vessel, the rear being a mirror image;
FIG. 2 is a left side elevation view of the beverage vessel of FIG. 1, the right side being a mirror image;
FIG. 3 is a top view of the beverage vessel of FIG. 1; and,
FIG. 4 is a bottom view of the beverage vessel of FIG. 1.

1 Claim, 2 Drawing Sheets





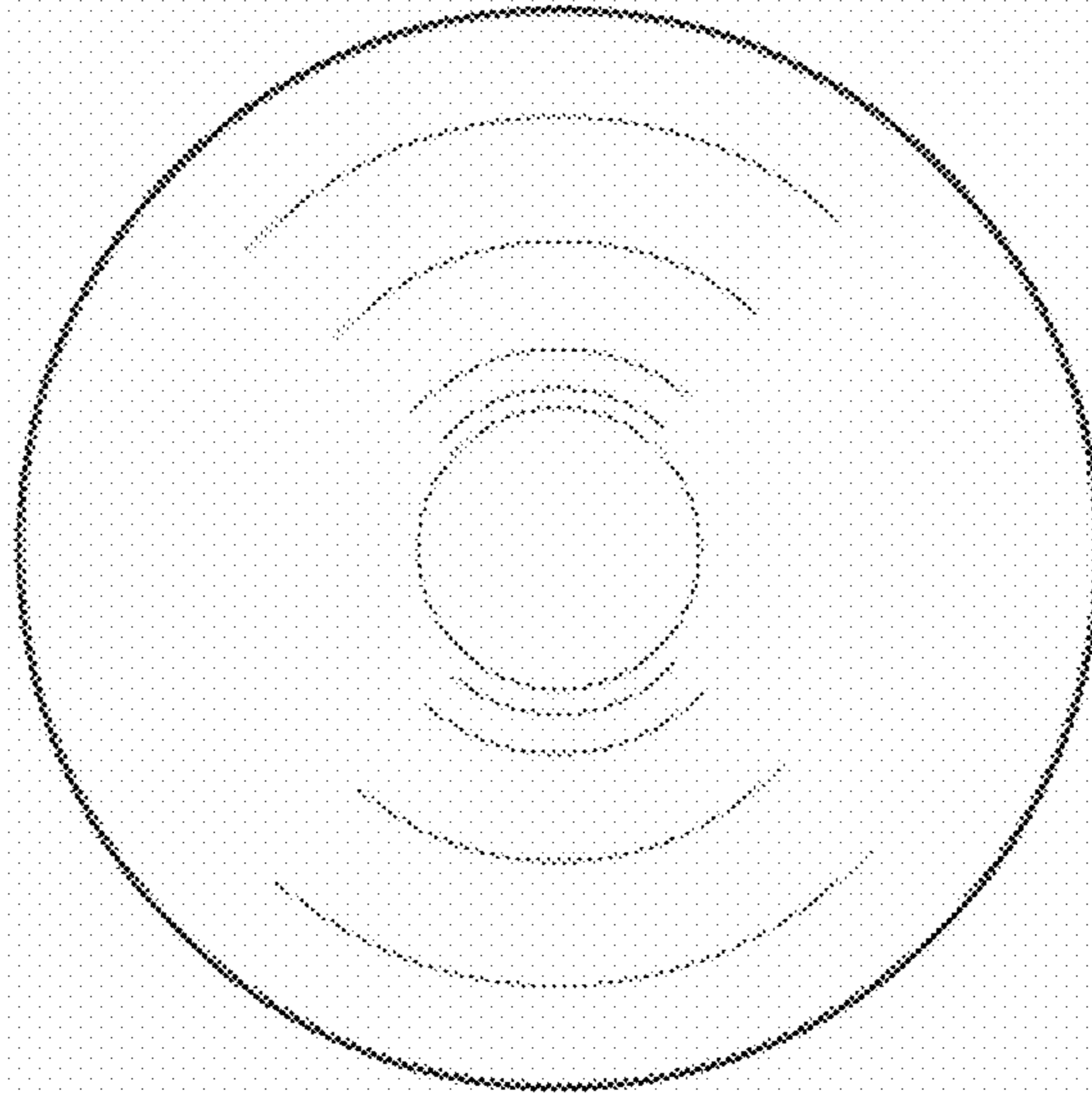


Fig. 3

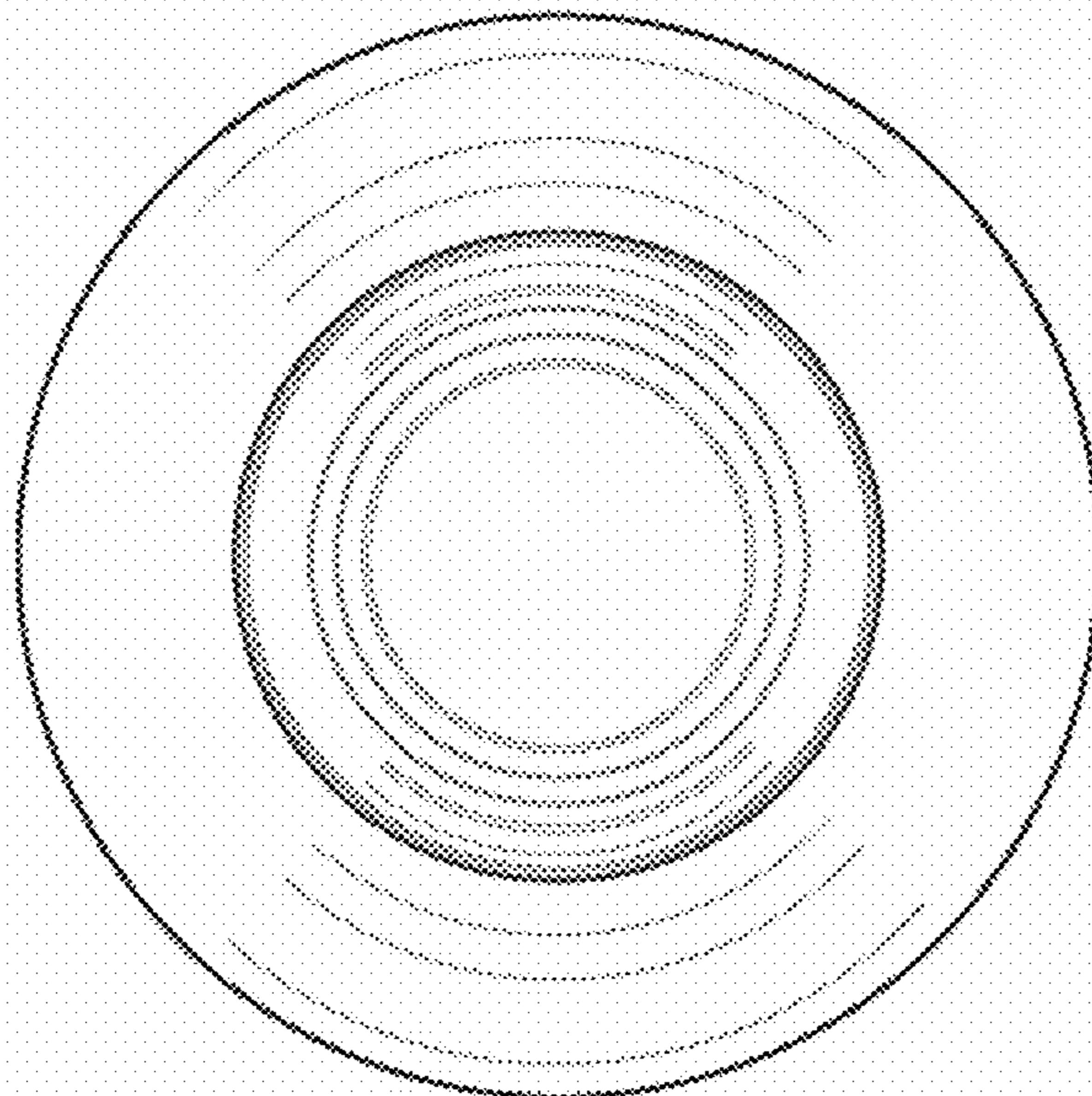


Fig. 4