



US00D742693S

(12) **United States Design Patent**
Spagnola

(10) **Patent No.:** **US D742,693 S**

(45) **Date of Patent:** **** Nov. 10, 2015**

(54) **COMBINATION ELECTRONIC STORAGE
MEDIUM AND DRINKING CUP**

(71) Applicant: **Alicia Spagnola**, West Hollywood, CA
(US)

(72) Inventor: **Alicia Spagnola**, West Hollywood, CA
(US)

(**) Term: **14 Years**

(21) Appl. No.: **29/512,781**

(22) Filed: **Dec. 23, 2014**

Related U.S. Application Data

(62) Division of application No. 13/253,042, filed on Oct.
4, 2011, now abandoned.

(51) **LOC (10) Cl.** **07-01**

(52) **U.S. Cl.**
USPC **D7/507; D7/509**

(58) **Field of Classification Search**

USPC D7/515-520, 510, 511, 509, 507, 599,
D7/302, 301, 539, 523; D9/625, 620, 616,
D9/645; 220/703, 705, 592.16, 714, 715,
220/630, 713; 206/217

CPC A47G 19/2205; A47G 19/22; A47G
19/2227; A63H 33/22; A63H 3/00; G09F
3/00; B65D 21/02

See application file for complete search history.

(56) **References Cited**

U.S. PATENT DOCUMENTS

2,505,380 A 4/1950 Blefeld
2,635,384 A * 4/1953 Rosenthal A47G 19/2227
273/142 R

(Continued)

OTHER PUBLICATIONS

Personality cup shaped USB flash memory storage, <http://www.alibaba.com/showroom/cup-storage.html>.

(Continued)

Primary Examiner — Marianne Pandozzi

(74) *Attorney, Agent, or Firm* — William F. Lang, IV; Lang
Patent Law LLC

(57) **CLAIM**

The ornamental design for a combination electronic storage
medium and drinking cup, as shown and described.

DESCRIPTION

FIG. 1 is top front, and side perspective view of the combi-
nation electric storage medium and drinking cup showing my
new design;

FIG. 2 is a bottom rear, and side perspective view thereof;

FIG. 3 is a front elevational view thereof;

FIG. 4 is a top plan view thereof;

FIG. 5 is a side elevational view thereof;

FIG. 6 is a bottom plan view thereof;

FIG. 7 is a rear elevational view of the combination electric
storage medium and drinking cup with the unclaimed strap
removed for ease of illustration;

FIG. 8 is an exploded top front and side perspective view of
the combination electric storage medium and drinking cup;

FIG. 9 is an exploded bottom rear, and side perspective view
of the combination electric storage medium and drinking cup;

FIG. 10 is a front elevational view of the combination electric
storage medium and drinking cup with the electronic storage
medium removed for ease of illustration;

FIG. 11 is a side elevational view of the combination electric
storage medium and drinking cup with the electronic storage
medium removed for ease of illustration;

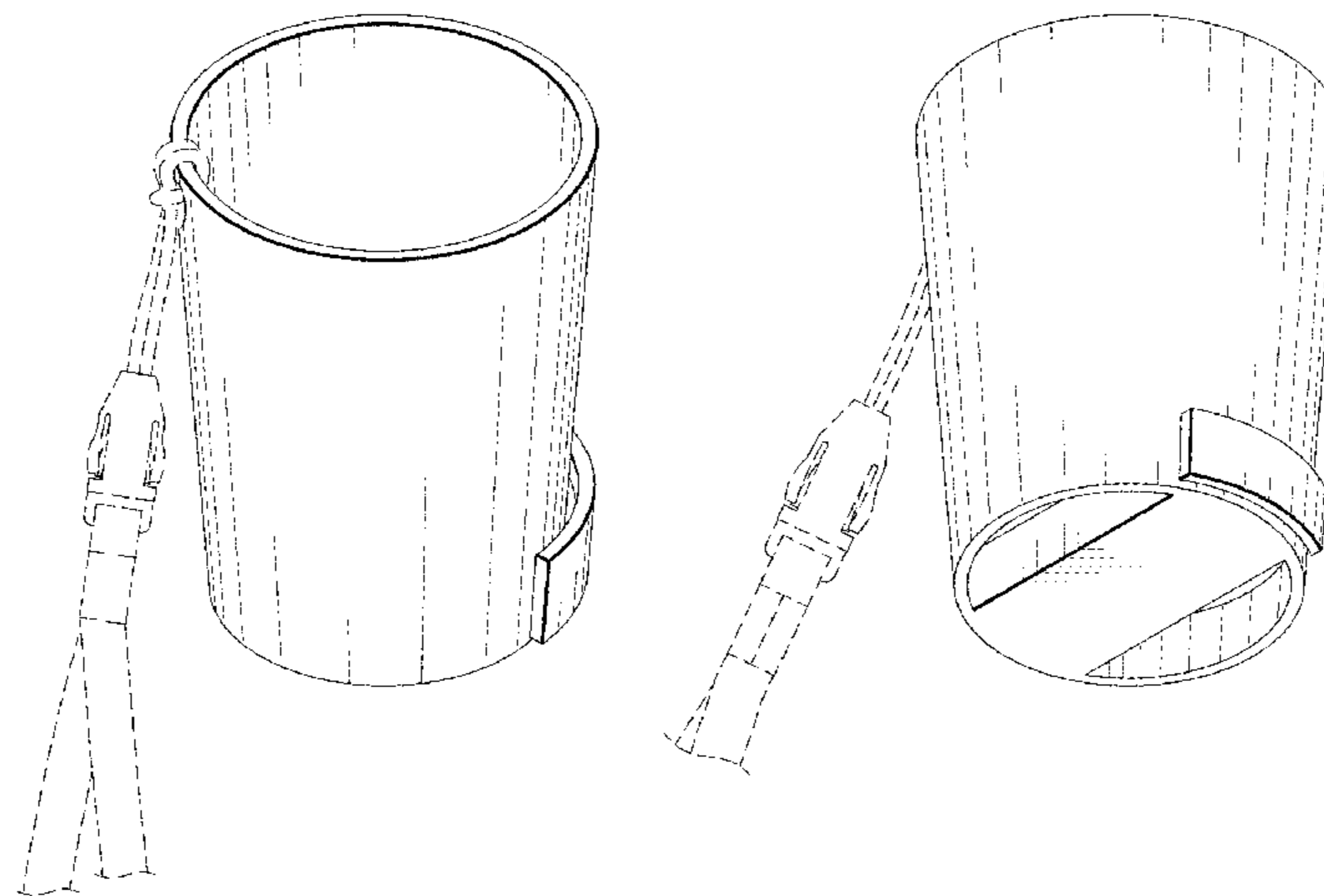
FIG. 12 is a bottom plan view of the combination electric
storage medium and drinking cup with the electronic storage
medium removed for ease of illustration;

FIG. 13 is a top plan view of the combination electric storage
medium and drinking cup with the cup portion removed for
ease of illustration;

FIG. 14 is a rear view thereof; and,

FIG. 15 is a side view thereof.

1 Claim, 6 Drawing Sheets



(56)

References Cited

U.S. PATENT DOCUMENTS

2,874,670 A * 2/1959 Zenchenko A47G 19/2227
116/67 R
4,795,028 A * 1/1989 Wittig B65D 81/3205
206/217
5,005,717 A 4/1991 Oilar
5,803,306 A 9/1998 Lewis
D417,819 S * 12/1999 Kelly-Pollet D7/510
6,189,755 B1 2/2001 Wakefield
6,196,411 B1 3/2001 Nava et al.
D448,241 S 9/2001 Morris, Jr.
6,283,605 B1 9/2001 Kalamaras
6,412,889 B1 7/2002 Hummell et al.
6,502,713 B1 * 1/2003 Baker B65D 21/0237
206/515
6,793,362 B2 * 9/2004 Tai A47G 19/2227
362/101
7,500,579 B2 * 3/2009 Crossley A47G 19/2205
206/217
7,669,730 B2 3/2010 Lopez
D614,916 S * 5/2010 Borrello D7/507
D623,016 S * 9/2010 Borrello D7/507
8,322,875 B2 * 12/2012 Brinson A47G 19/2227
362/101

D713,244 S * 9/2014 DuHaime D7/509
8,973,775 B2 * 3/2015 Shonborn A47G 19/2205
206/217

2003/0094387 A1 5/2003 Coppola
2004/0056037 A1 3/2004 Gluck
2004/0149763 A1 8/2004 Chen
2005/0061687 A1 3/2005 Coppola
2008/0165008 A1 7/2008 Mercier
2009/0114554 A1 5/2009 Earnest
2009/0254684 A1 10/2009 Willis
2010/0032437 A1 2/2010 Lossau
2010/0108755 A1 5/2010 Fuerstenberg et al.
2010/0224639 A1 9/2010 Peng
2011/0128712 A1 6/2011 Prest et al.
2011/0164365 A1 7/2011 McClure et al.
2013/0021280 A1 1/2013 Dabov et al.

OTHER PUBLICATIONS

Alicia Spagnola, "Shot Glass on a String," <http://www.alispagnola.com/powerhour/music/5-shot-glass-on-a-string/>.
Timed shot glass, <http://hackaday.com/2011/03/01/timed-shot-glass-wont-let-you-stop-drinking/>.

* cited by examiner

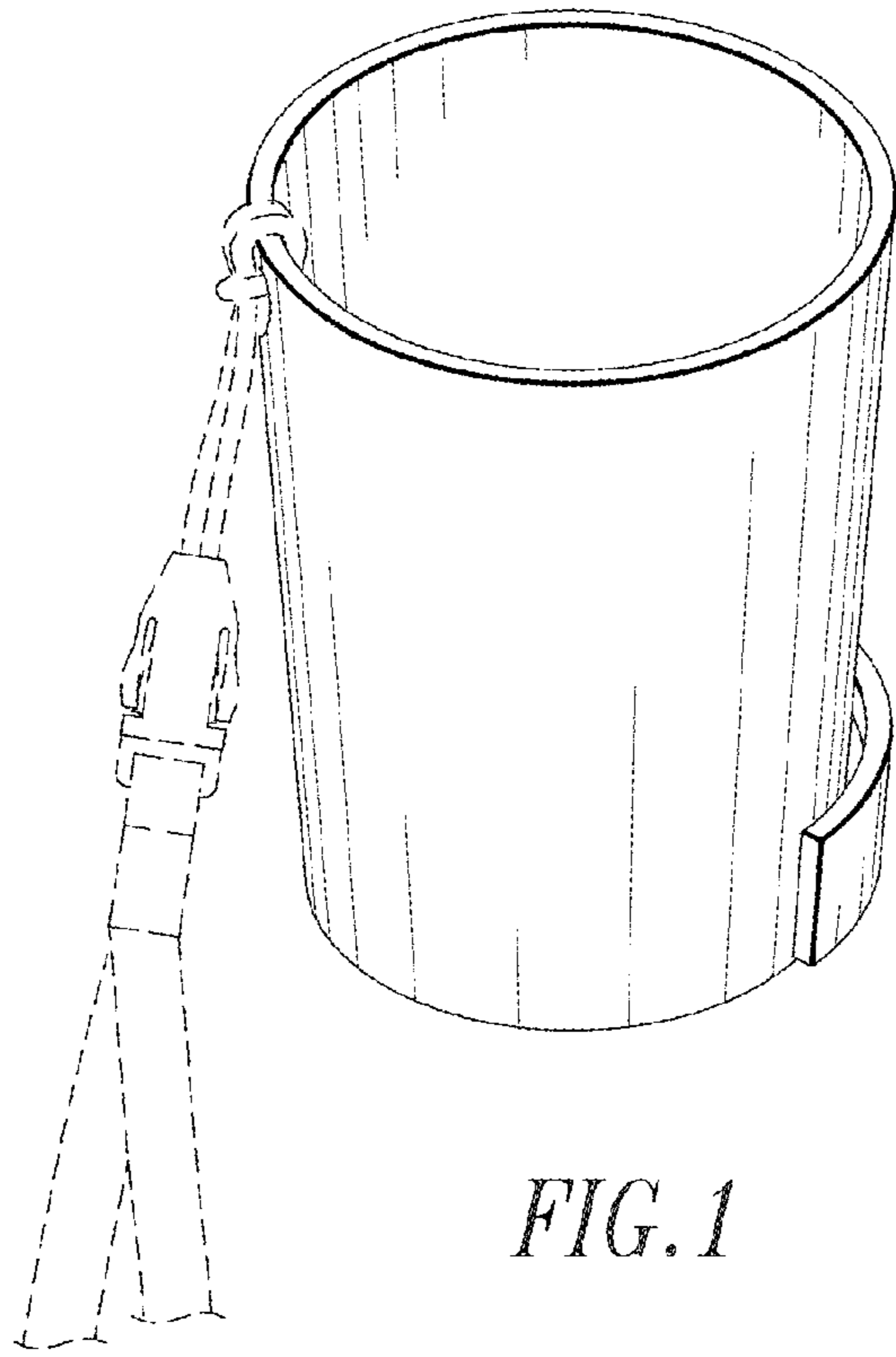


FIG. 1

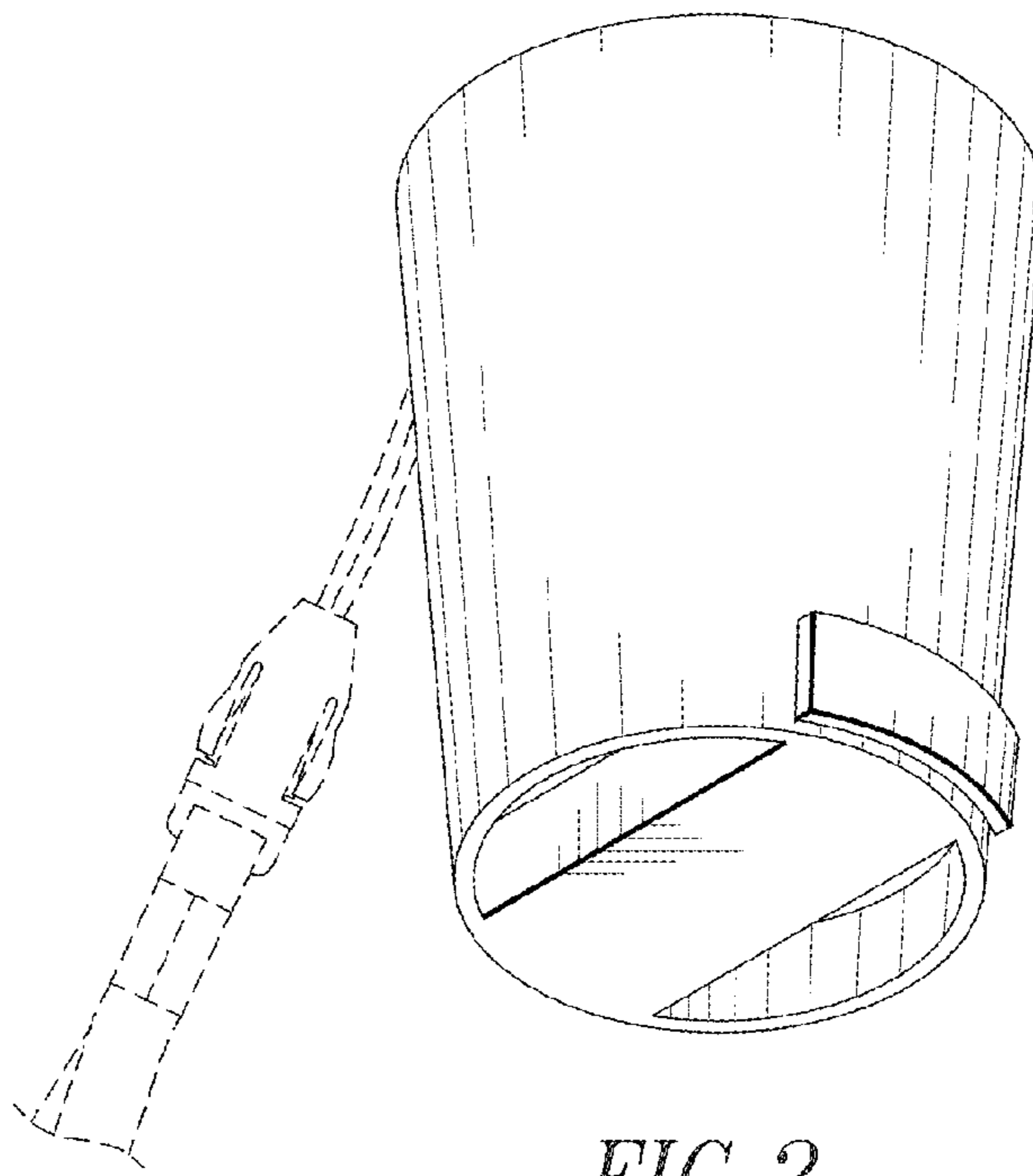


FIG. 2

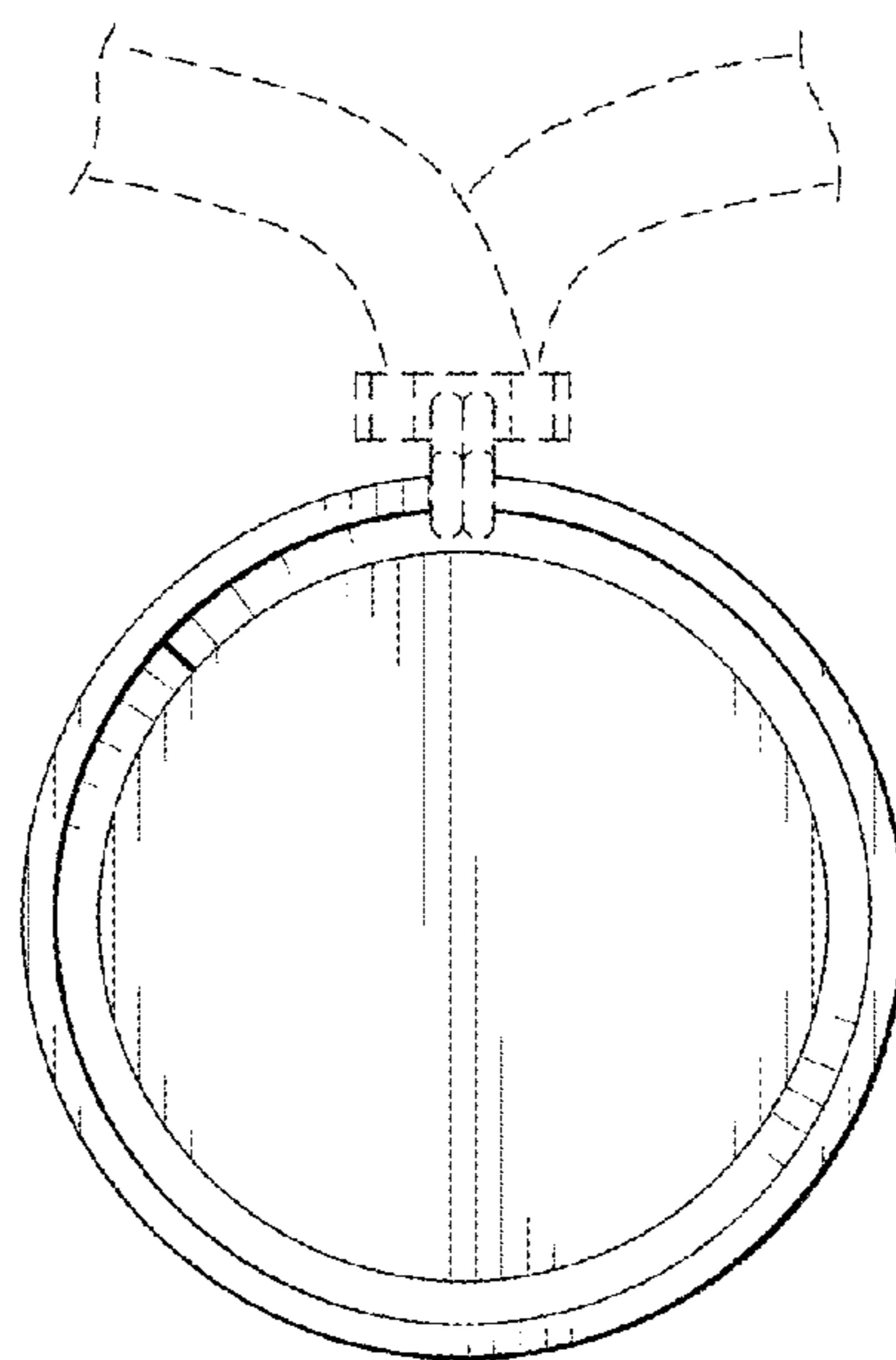
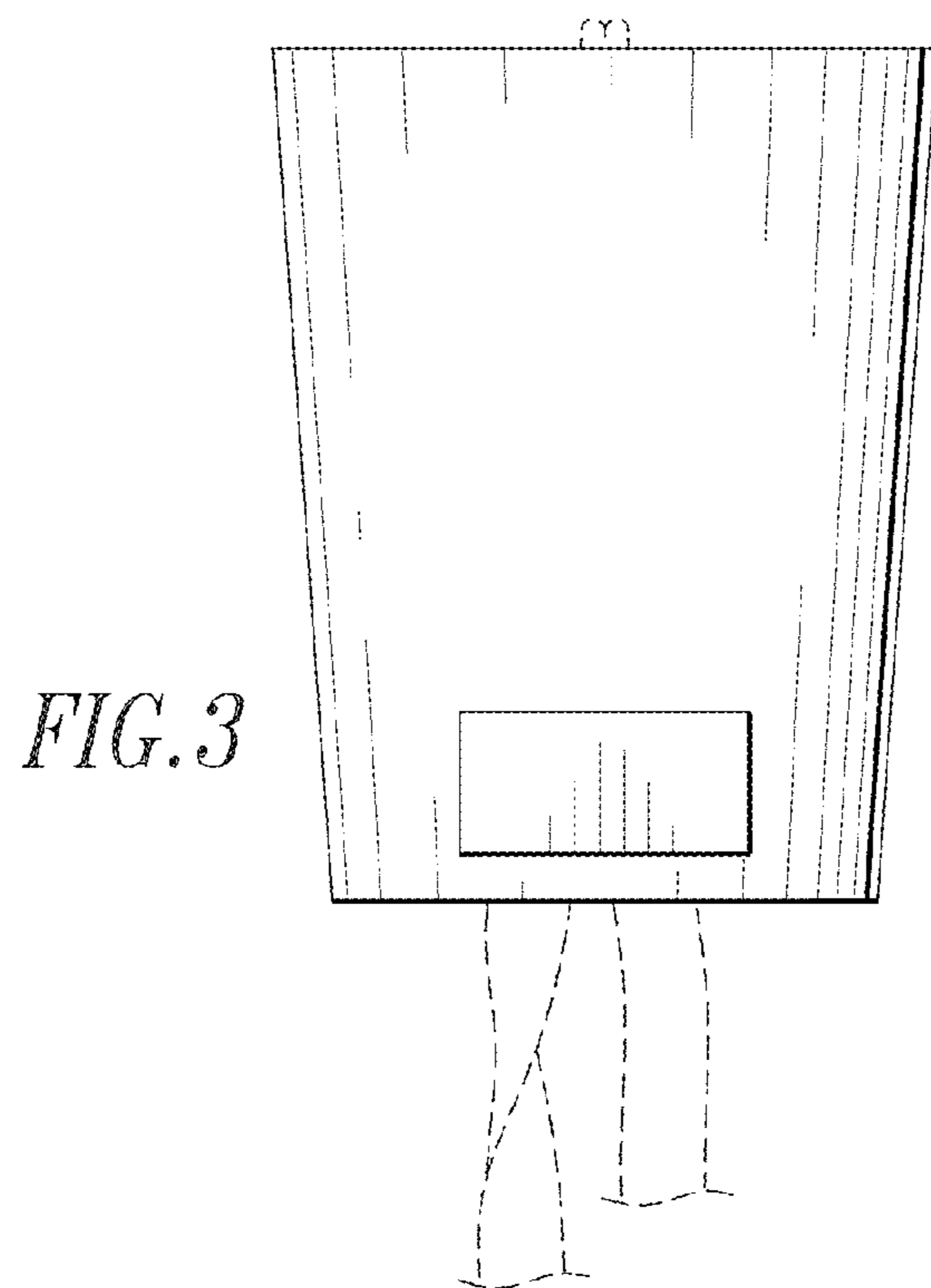


FIG. 4

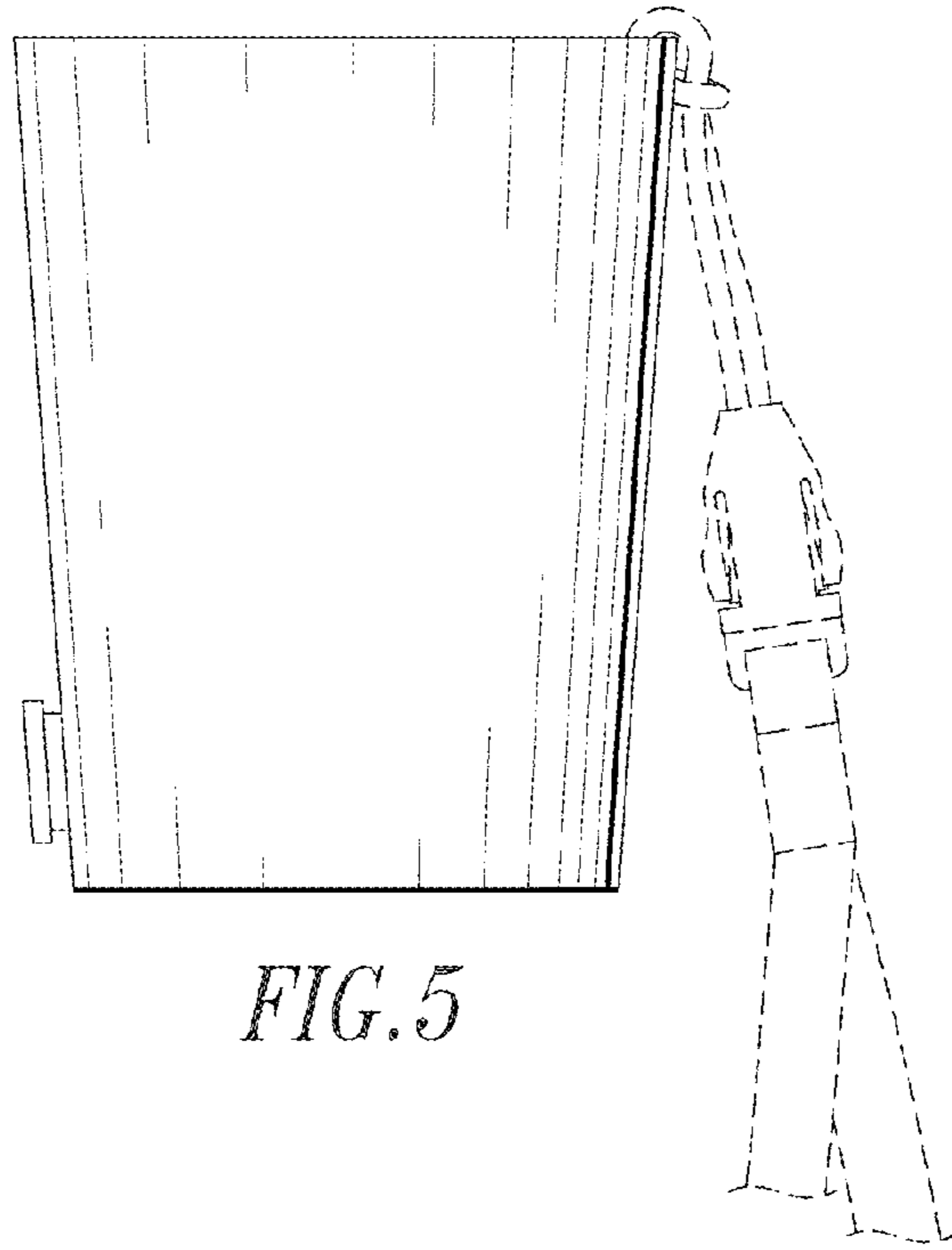


FIG. 5

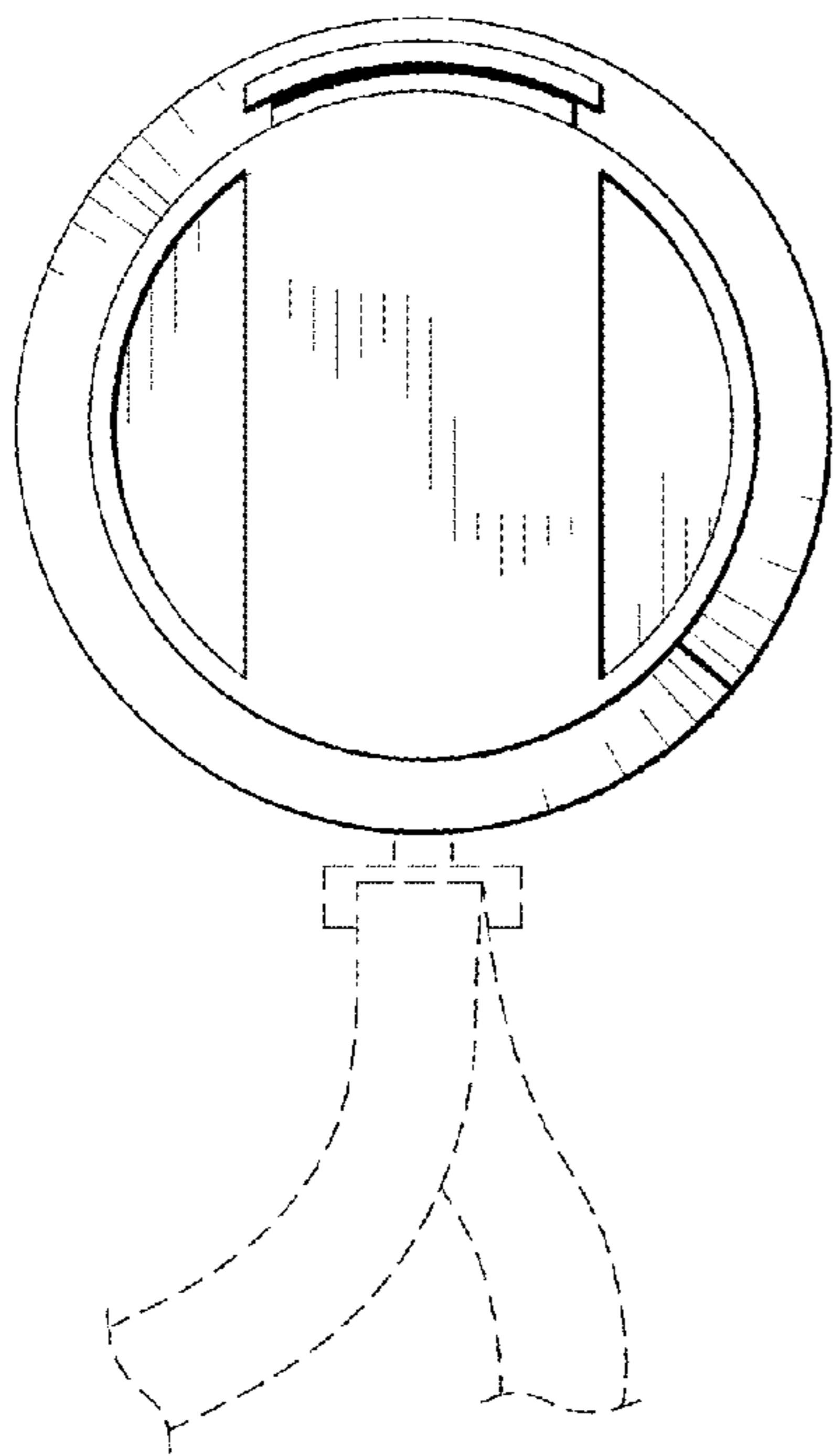


FIG. 6

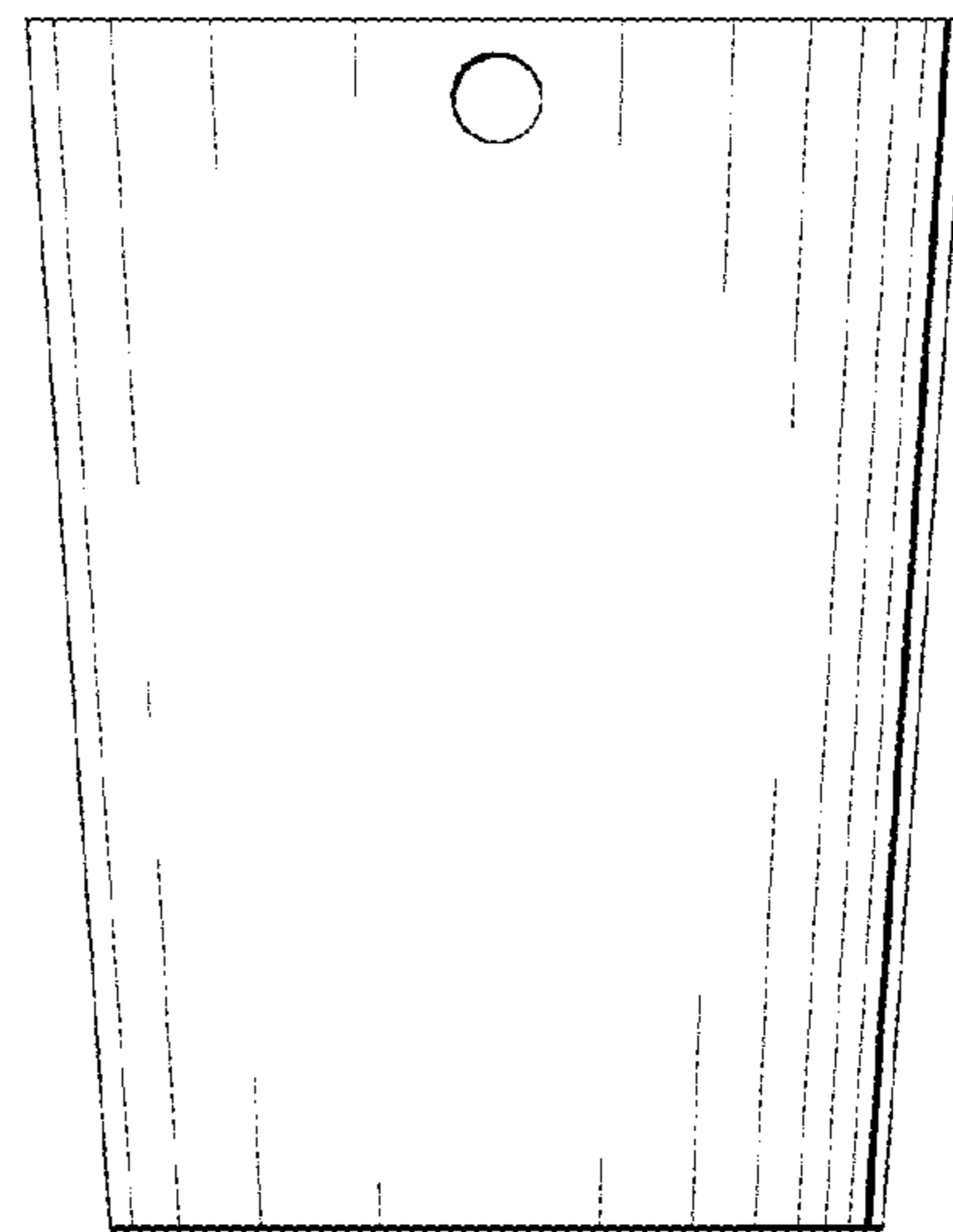


FIG. 7

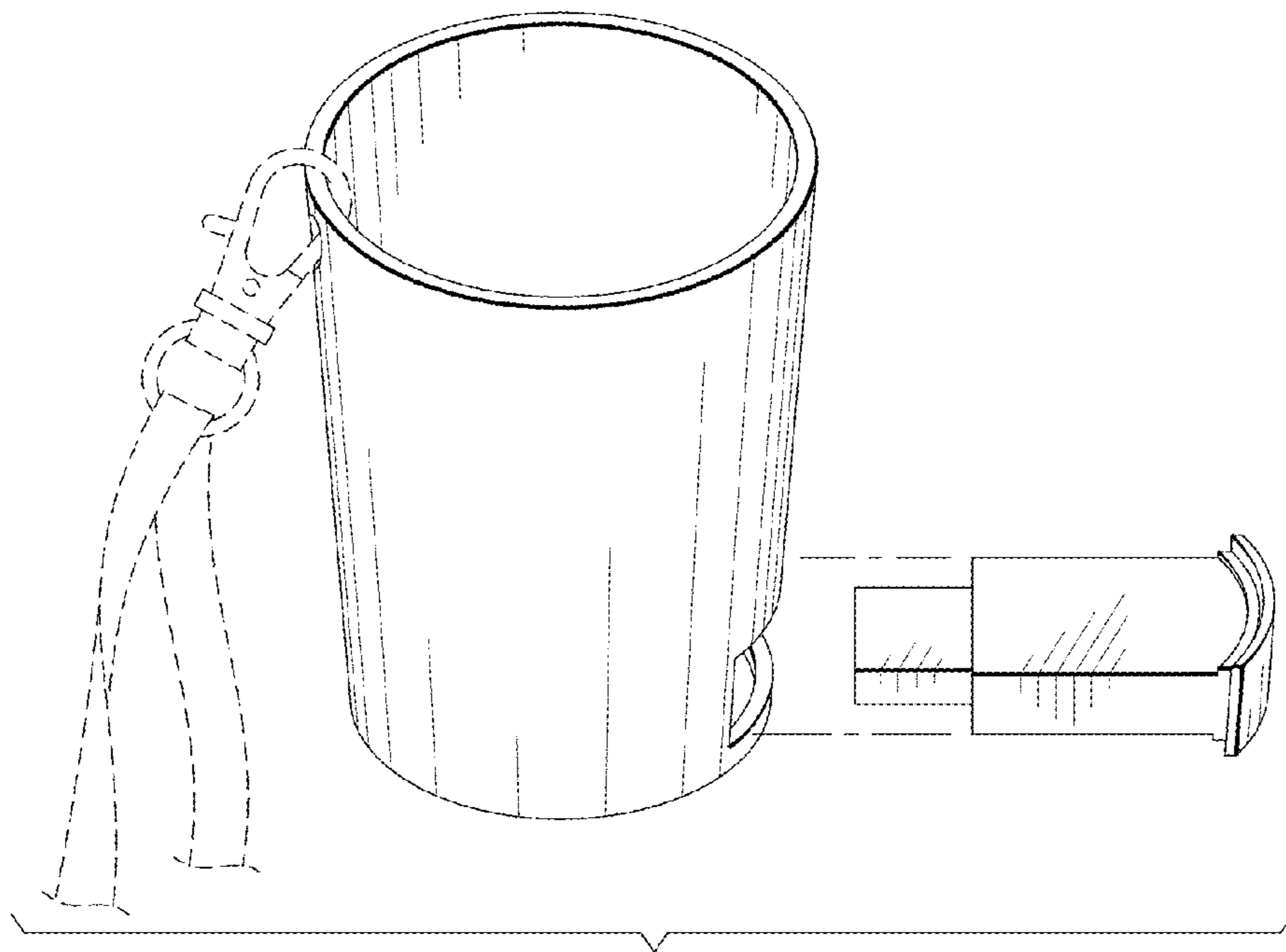


FIG. 8

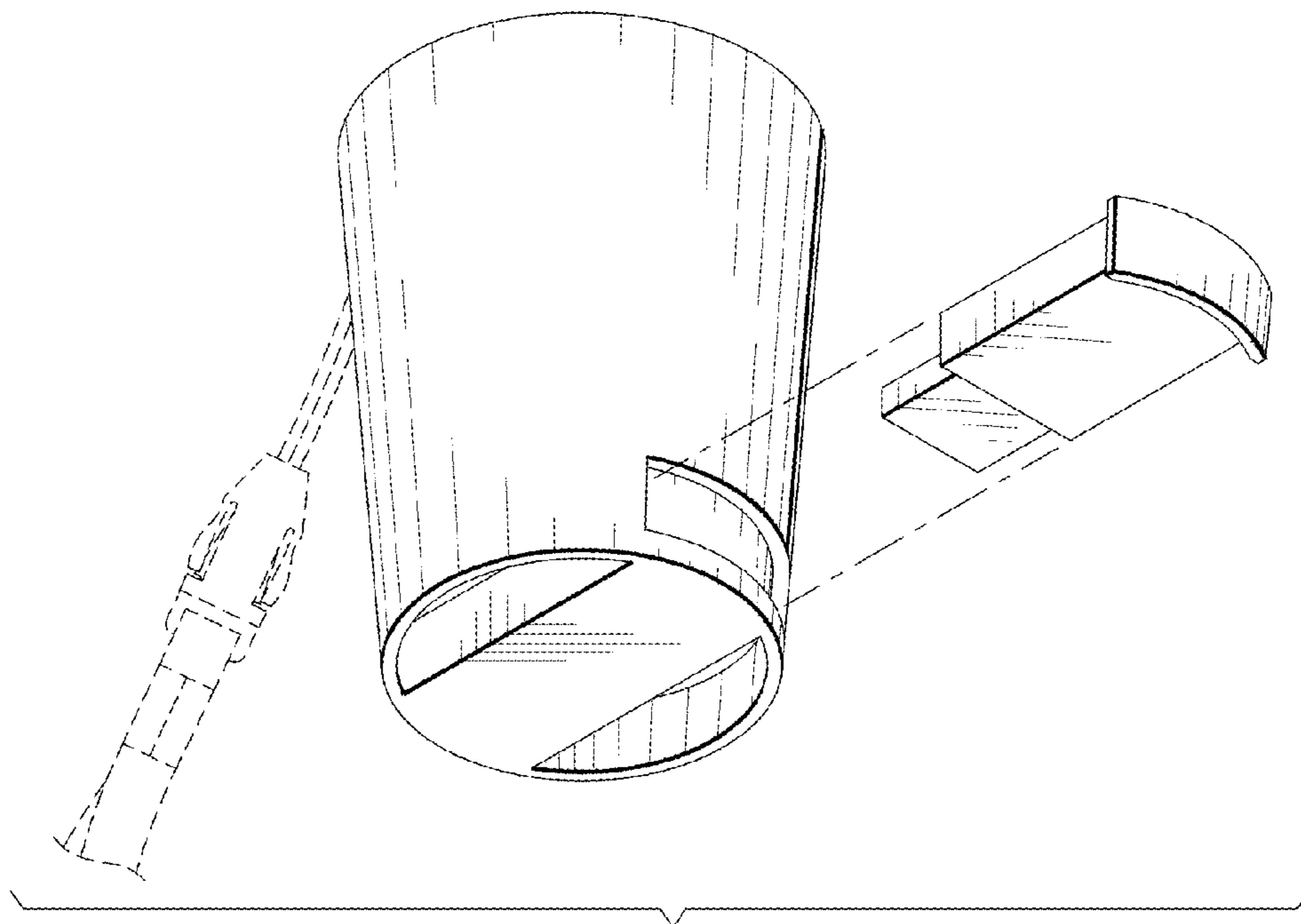


FIG. 9

FIG. 10

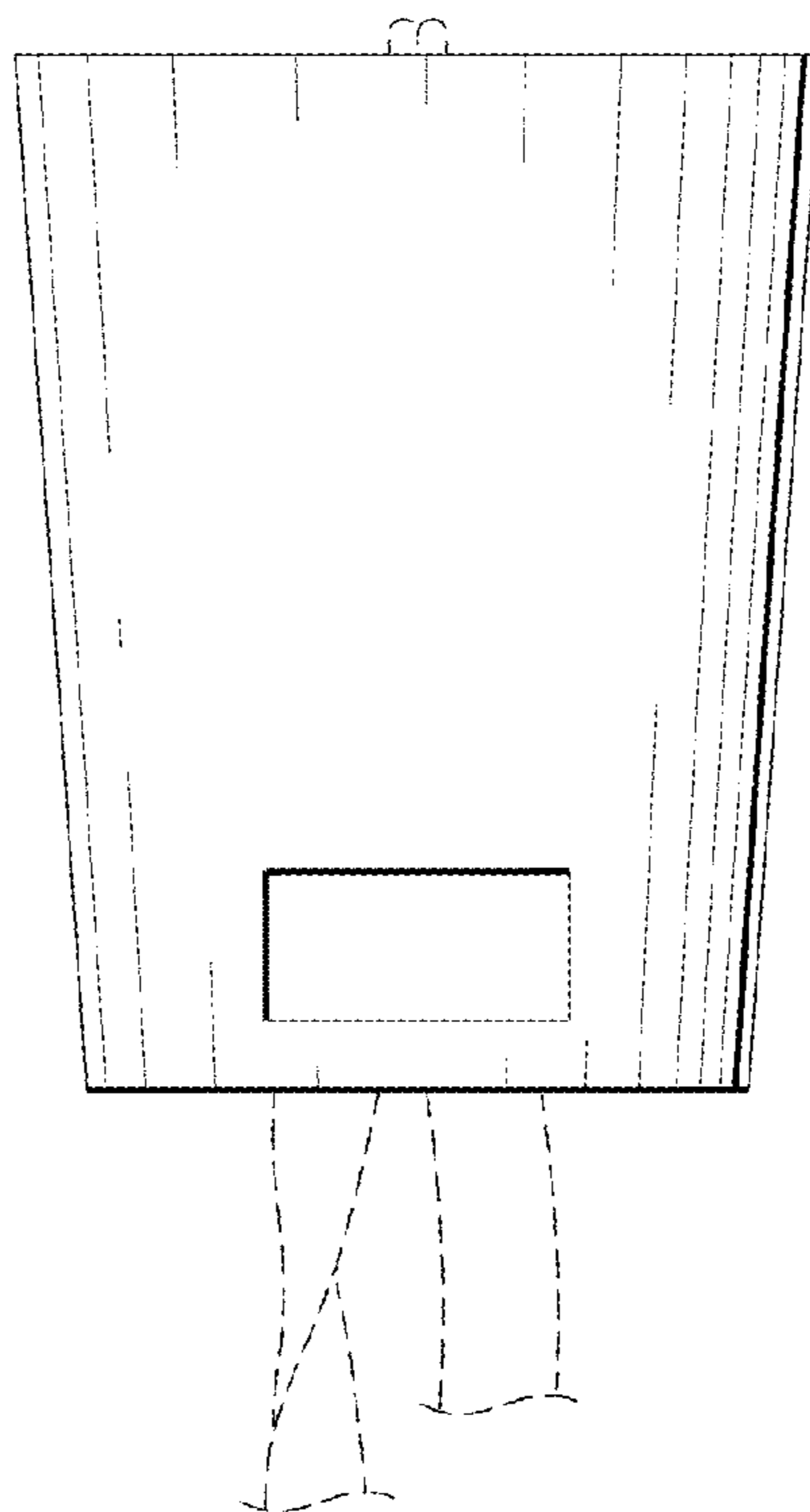


FIG. 11

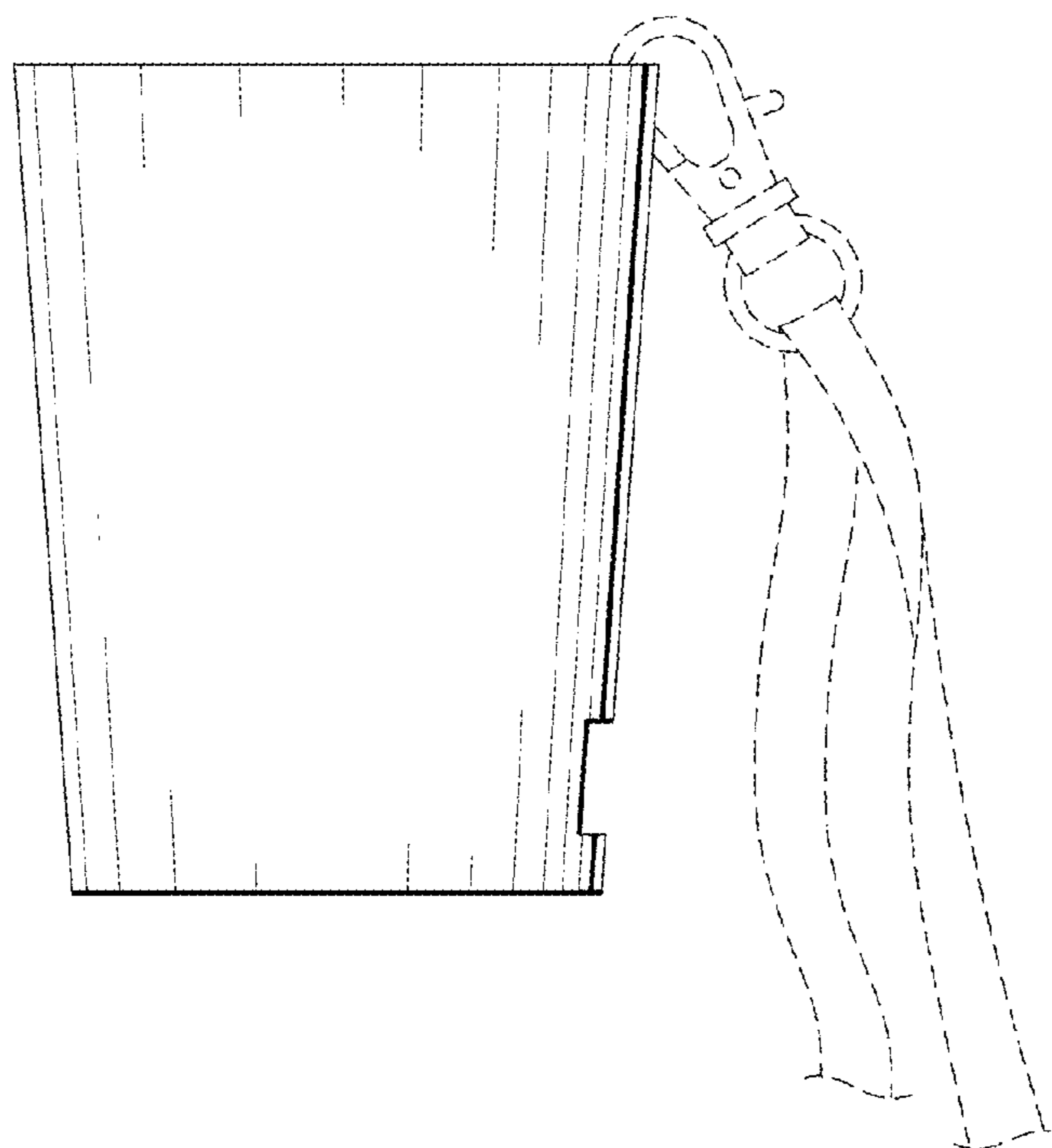


FIG. 12

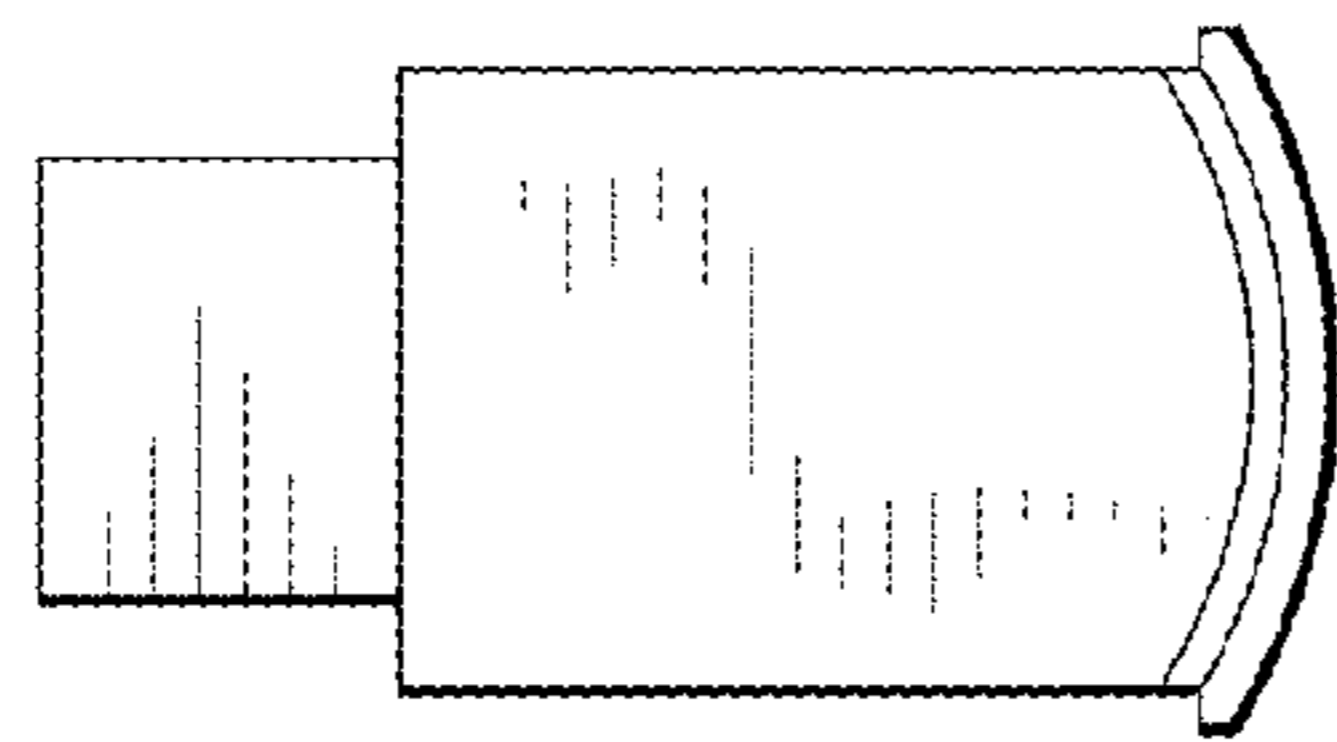
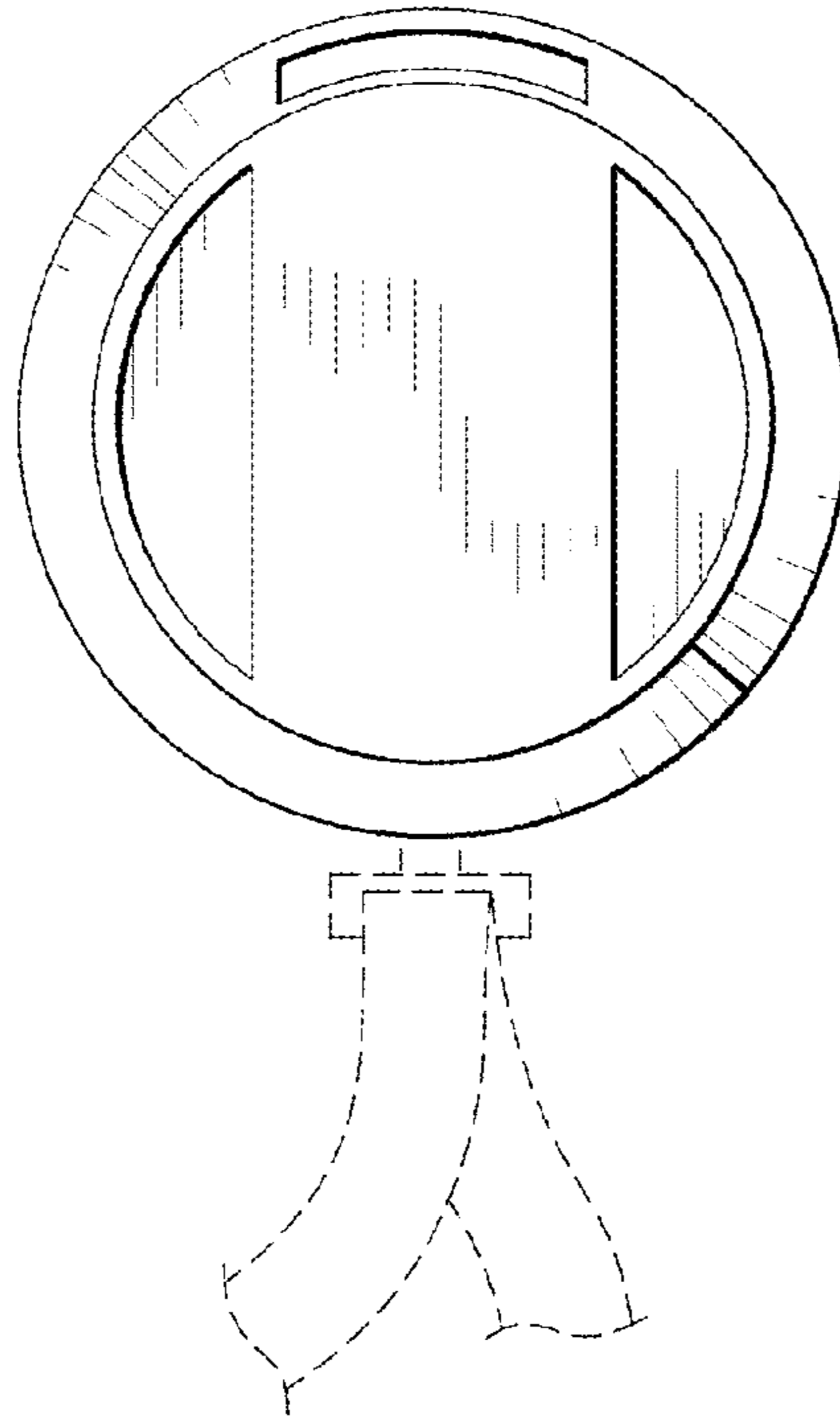


FIG. 13

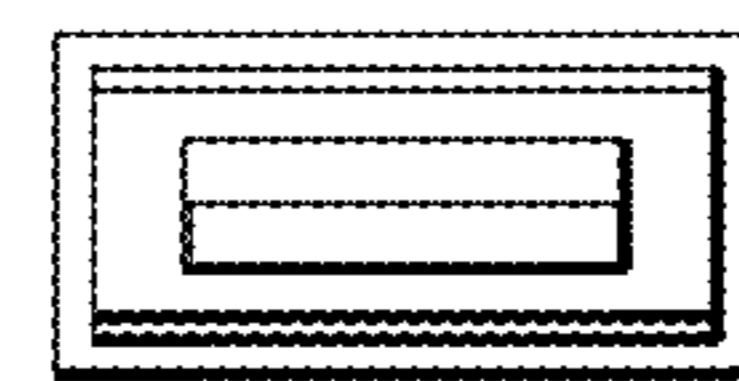


FIG. 14

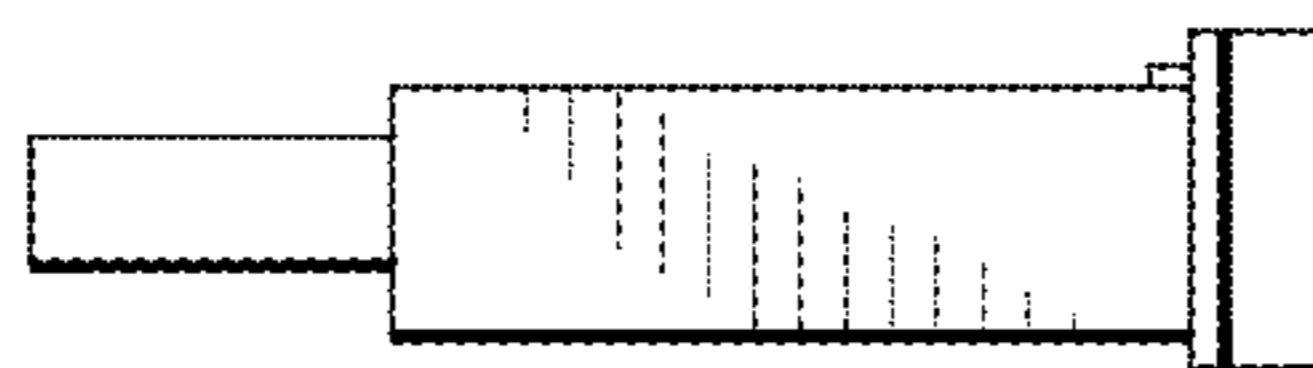


FIG. 15