



US00D742692S

(12) **United States Design Patent**
Petrie

(10) **Patent No.:** **US D742,692 S**

(45) **Date of Patent:** **** Nov. 10, 2015**

- (54) **FOOD EXTRUSION DIE**
- (71) Applicant: **Frito-Lay North America, Inc.**, Plano, TX (US)
- (72) Inventor: **Max Petrie**, Richardson, TX (US)
- (73) Assignee: **Frito-Lay North America, Inc.**, Plano, TX (US)
- (**) Term: **14 Years**
- (21) Appl. No.: **29/486,279**
- (22) Filed: **Mar. 27, 2014**
- (51) **LOC (10) Cl.** **07-02**
- (52) **U.S. Cl.**
USPC **D7/414; D7/412**
- (58) **Field of Classification Search**
USPC D8/356, 382, 499; D9/643
CPC A21C 1/02; A21C 1/04; A23N 1/00;
A23N 1/02; A47J 43/04; A47J 43/25; A47J
43/27; A47J 43/042; A47J 43/044; A47J
43/046; A47J 43/075; A47J 43/0722; A47J
43/0727; B01F 1/0027; B01F 3/00; B01F
3/0807; B01F 3/0853; B01F 13/0059; B01F
13/0064; B02C 1/08; B02C 2/04; B02C 4/42;
B02C 4/142; B02C 4/143; B02C 4/423;
B02C 13/1835; B28C 5/10; B28C 5/12;
B28C 5/14; B28C 5/16; F04D 5/00; A22C
7/0046
See application file for complete search history.

- 5,961,845 A * 10/1999 List B01F 1/0027
137/268
- D427,517 S * 7/2000 Marcks D9/601
- D475,603 S * 6/2003 Kelleghan D8/356
- D549,569 S * 8/2007 Palmer, III D8/499
- 7,553,124 B1 * 6/2009 Jimenez F04D 5/00
415/101
- D606,801 S * 12/2009 Kirk D7/354
- D659,470 S * 5/2012 Narwankar D7/376
- D696,575 S * 12/2013 Heindl D8/382
- 2010/0239735 A1 * 9/2010 Robbins A22C 7/0046
426/513

* cited by examiner

Primary Examiner — Ricky Pham

(74) *Attorney, Agent, or Firm* — Colin P. Cahoon; Carstens & Cahoon, LLP

(57) **CLAIM**

The ornamental design for a food extrusion die, as shown and described.

DESCRIPTION

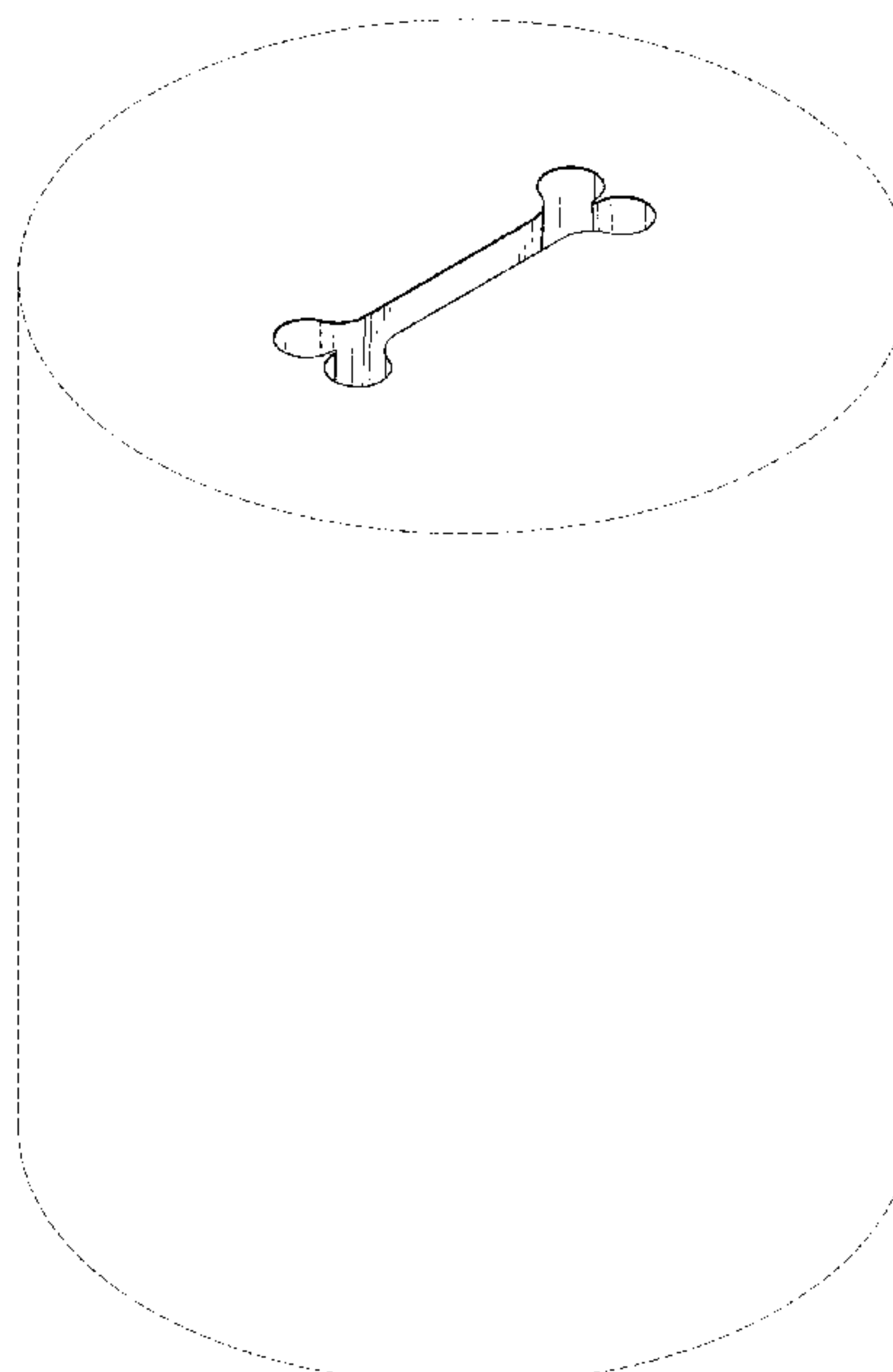
FIG. 1 is a first top perspective view of the present invention; FIG. 2 is a second top perspective view of the present invention; FIG. 3 is a front elevation view of the present invention with the left elevation, right elevation, and rear elevation views identical to the front elevation view; FIG. 4 is a top plan view of the present invention; FIG. 5 is a bottom plan view of the present invention; FIG. 6 is a first bottom perspective view of the present invention; and, FIG. 7 is a second bottom perspective view of the present invention.

The broken lines which define the bounds of the claimed design form no part thereof.

1 Claim, 7 Drawing Sheets

(56) **References Cited**
U.S. PATENT DOCUMENTS

- D104,289 S * 4/1937 Osius D7/378
- D153,232 S * 3/1949 Newell D7/413



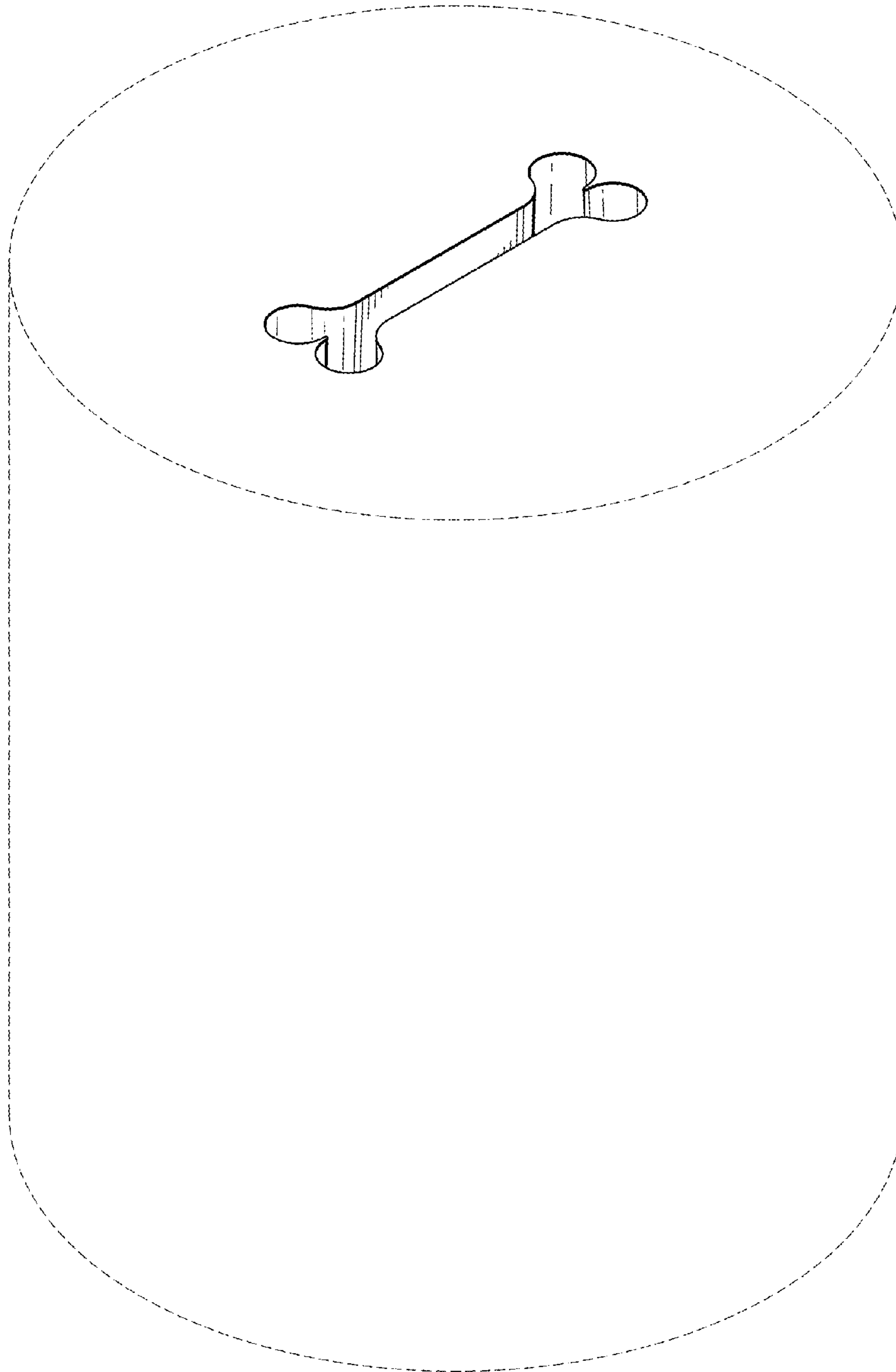


FIG. 1

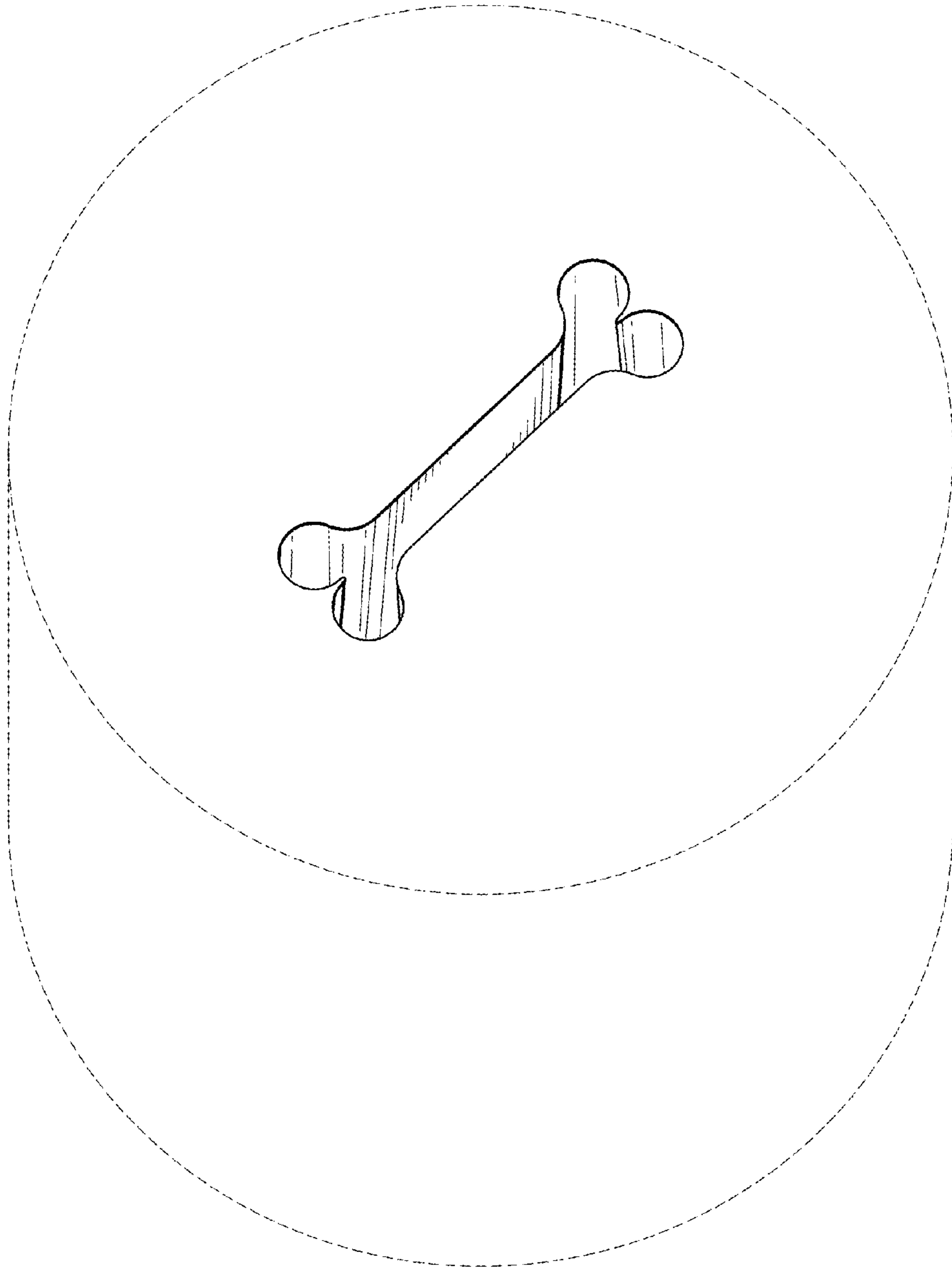


FIG. 2



FIG. 3

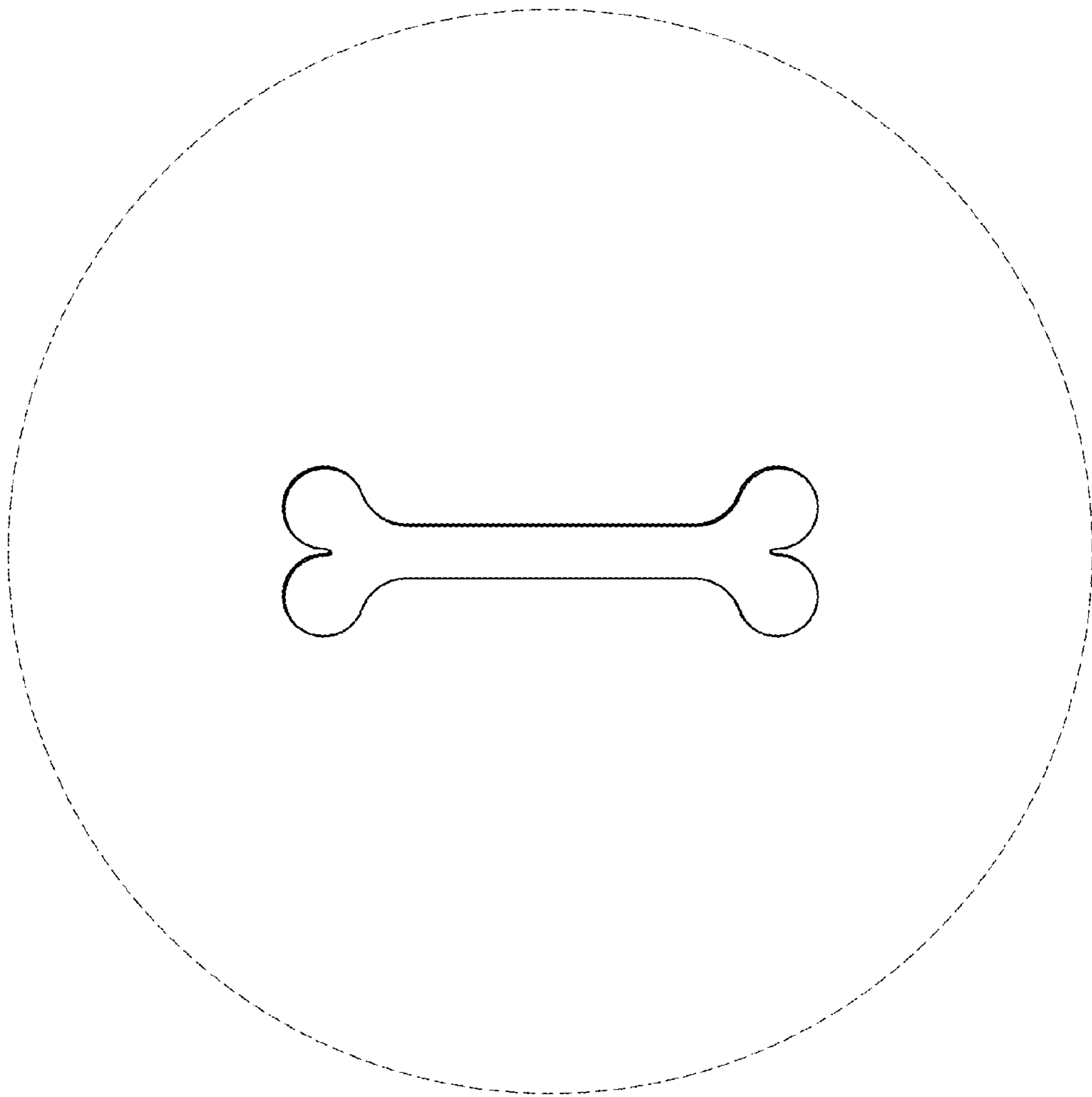


FIG. 4

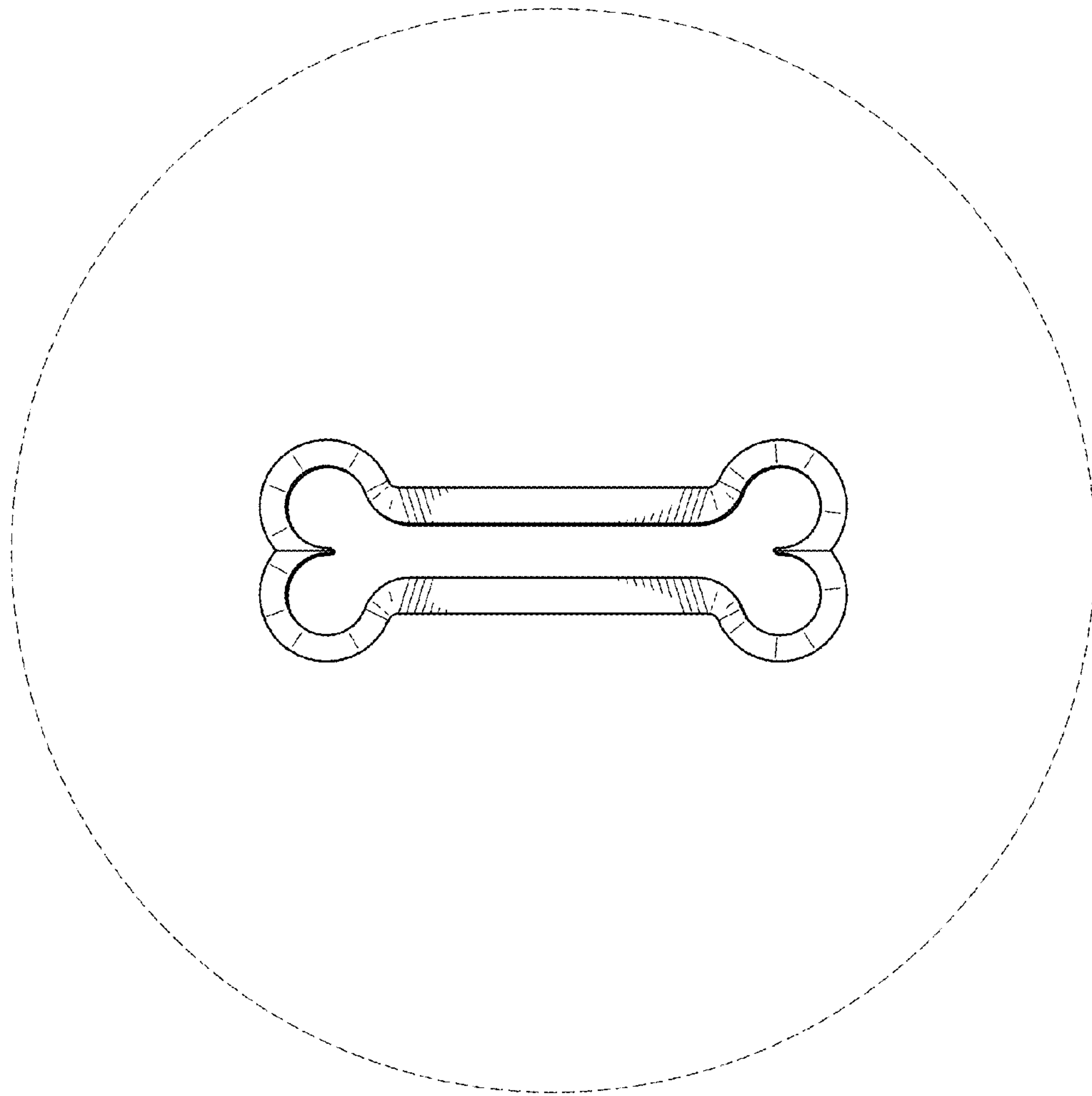


FIG. 5

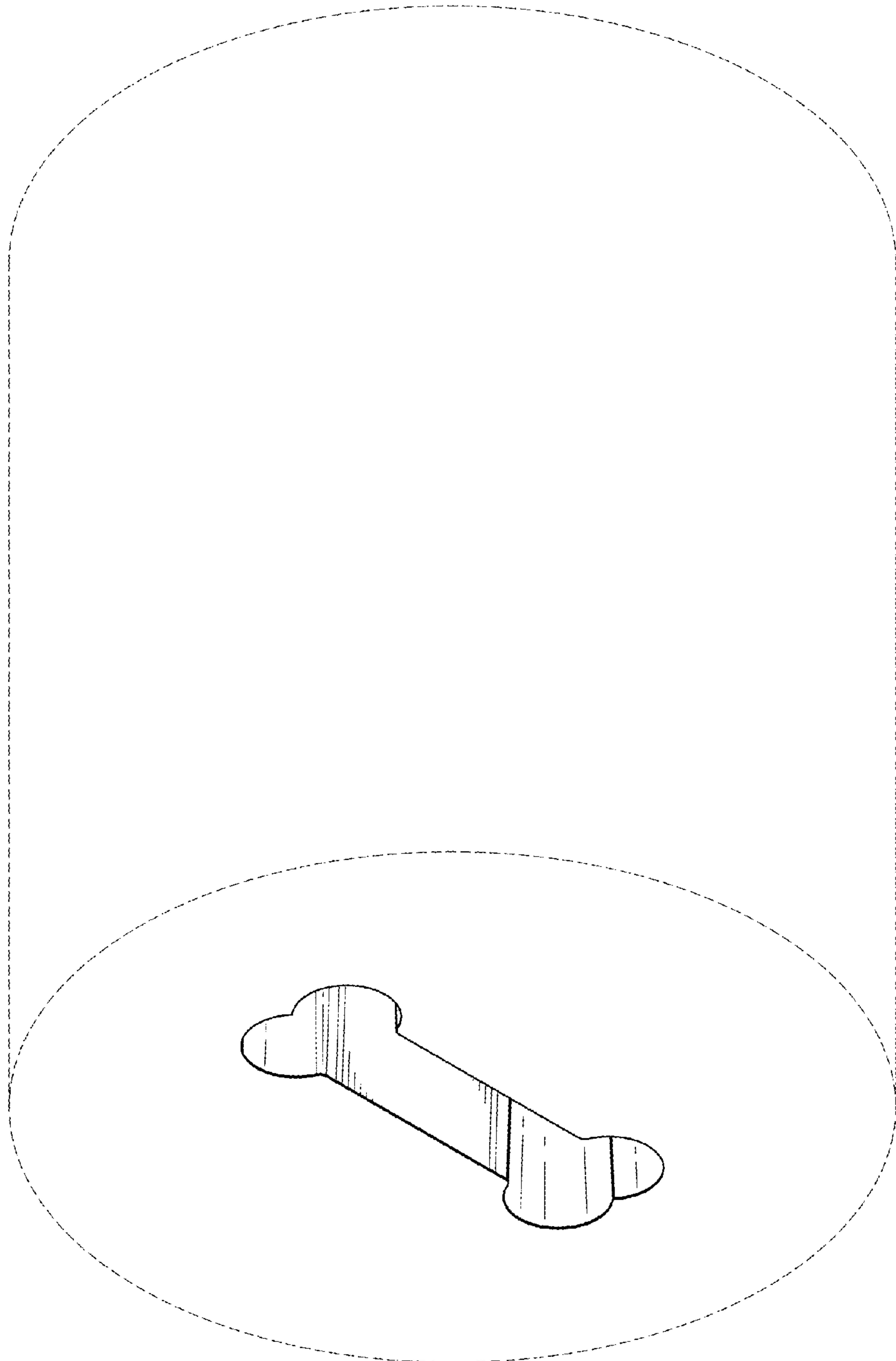


FIG. 6

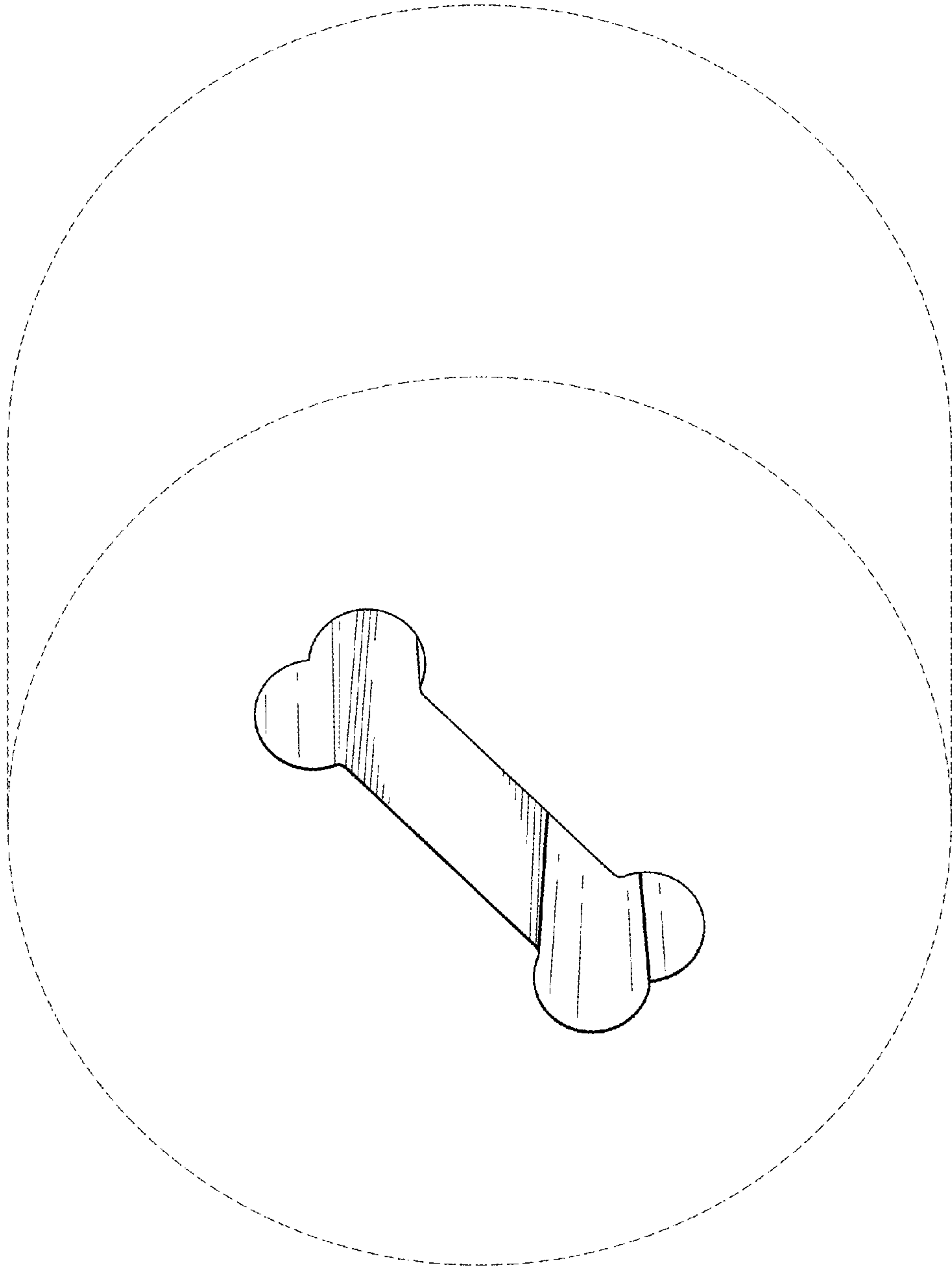


FIG. 7