



US00D742688S

(12) **United States Design Patent**  
**Funnell, II et al.**

(10) **Patent No.:** **US D742,688 S**

(45) **Date of Patent:** **\*\* Nov. 10, 2015**

(54) **RANGE AND/OR COMPONENTS THEREOF**

126/214 R, 273 R, 198, 152 R; 219/446.1,  
219/538, 552; 99/324

(71) Applicant: **BSH Home Appliances Corporation**,  
Irvine, CA (US)

See application file for complete search history.

(72) Inventors: **Richard W. Funnell, II**, Corona del  
Mar, CA (US); **Jonathan Grey**,  
Huntersville, NC (US); **Graham**  
**Sadtler**, Huntington Beach, CA (US)

(56) **References Cited**

U.S. PATENT DOCUMENTS

D592,007 S *	5/2009	Corona .....	D7/340
D605,456 S *	12/2009	Bengtson et al. ....	D7/340
D646,921 S *	10/2011	Kim et al. ....	D7/340
D655,128 S *	3/2012	Kim et al. ....	D7/340

(73) Assignee: **BSH Home Appliances Corporation**,  
Irvine, CA (US)

\* cited by examiner

(\*\*) Term: **14 Years**

*Primary Examiner* — Catheri Oliver-Garcia

(21) Appl. No.: **29/504,223**

(74) *Attorney, Agent, or Firm* — James E. Howard; Andre  
Pallapies

(22) Filed: **Oct. 3, 2014**

(57) **CLAIM**

The ornamental design for a range and/or components  
thereof, as shown and described.

**Related U.S. Application Data**

**DESCRIPTION**

(62) Division of application No. 29/472,345, filed on Nov.  
12, 2013, now Pat. No. Des. 721,919, which is a  
division of application No. 29/450,599, filed on Mar.  
20, 2013, now Pat. No. Des. 701,074, which is a  
division of application No. 29/426,480, filed on Jul. 6,  
2012, now Pat. No. Des. 682,602, which is a division of  
application No. 29/398,035, filed on Jul. 26, 2011, now  
Pat. No. Des. 669,729.

FIG. 1 is a front perspective view of a range according to our  
new ornamental design;  
FIG. 2 is a front view thereof;  
FIG. 3 is a top view thereof;  
FIG. 4 is a right side view thereof; and,  
FIG. 5 is a left side view thereof.

(51) **LOC (10) Cl.** ..... **07-02**

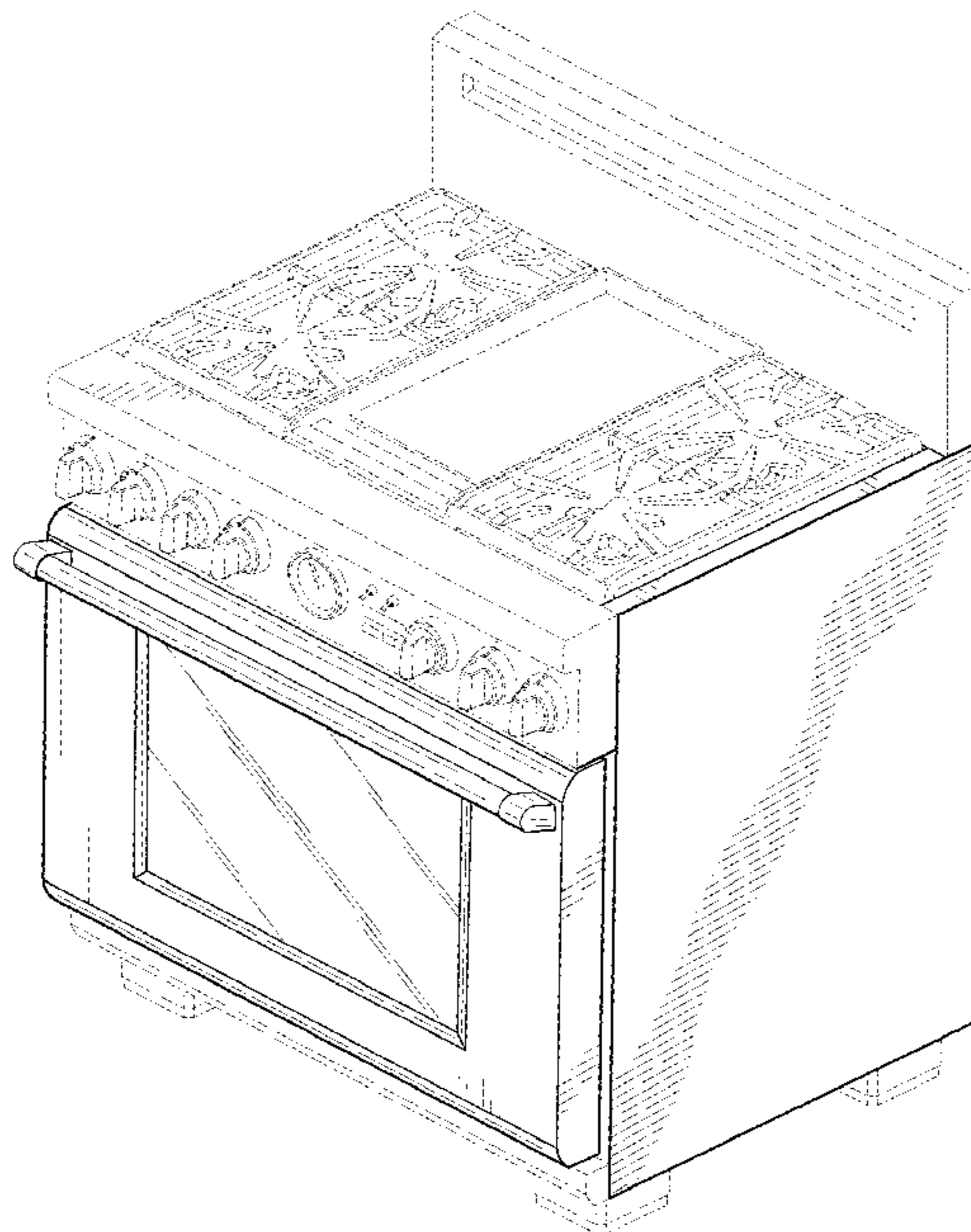
The broken lines represent environment or structure of the  
kitchen appliance and do not form any part of the claimed  
design.

(52) **U.S. Cl.**  
USPC ..... **D7/405**

Throughout the drawings, various views may not be pro-  
vided, as the components in these views are unornamented or  
the ornamentation in these views is simply unclaimed.

(58) **Field of Classification Search**  
USPC ..... D7/323, 339–342, 346–349, 402,  
D7/405–409; 126/1 R, 19 R, 39 R, 41 R, 211,

**1 Claim, 4 Drawing Sheets**



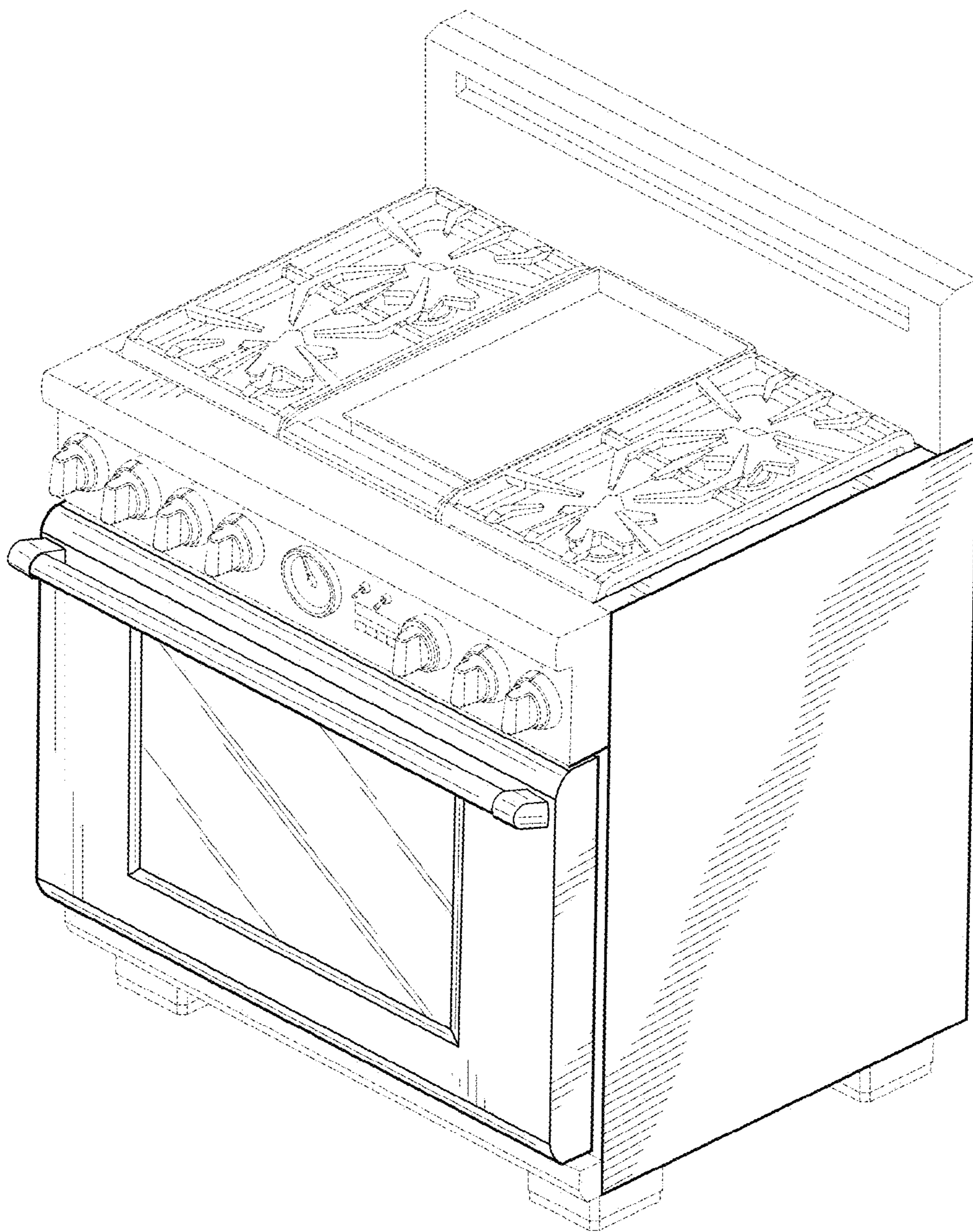


Fig. 1

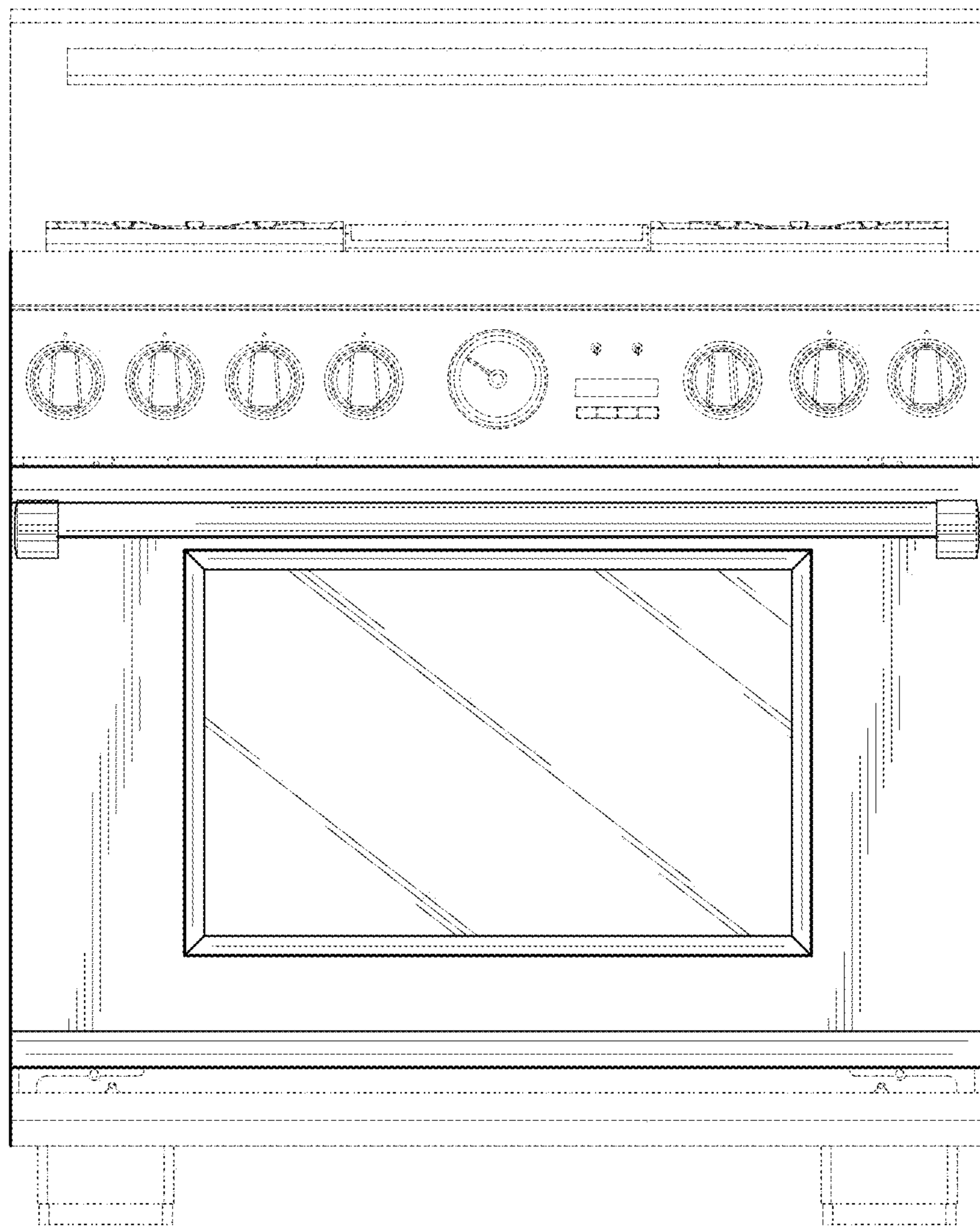


Fig. 2

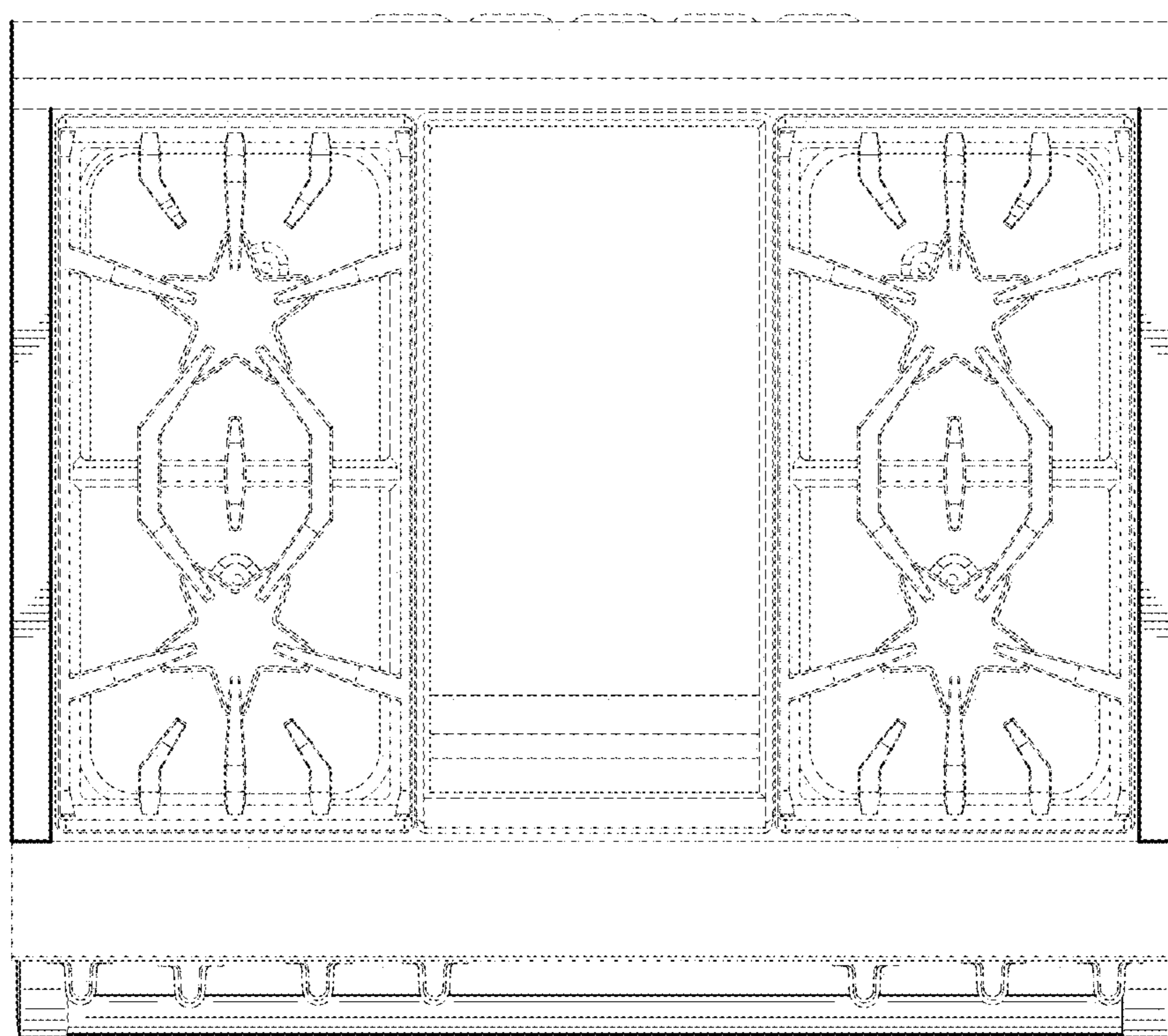


Fig. 3

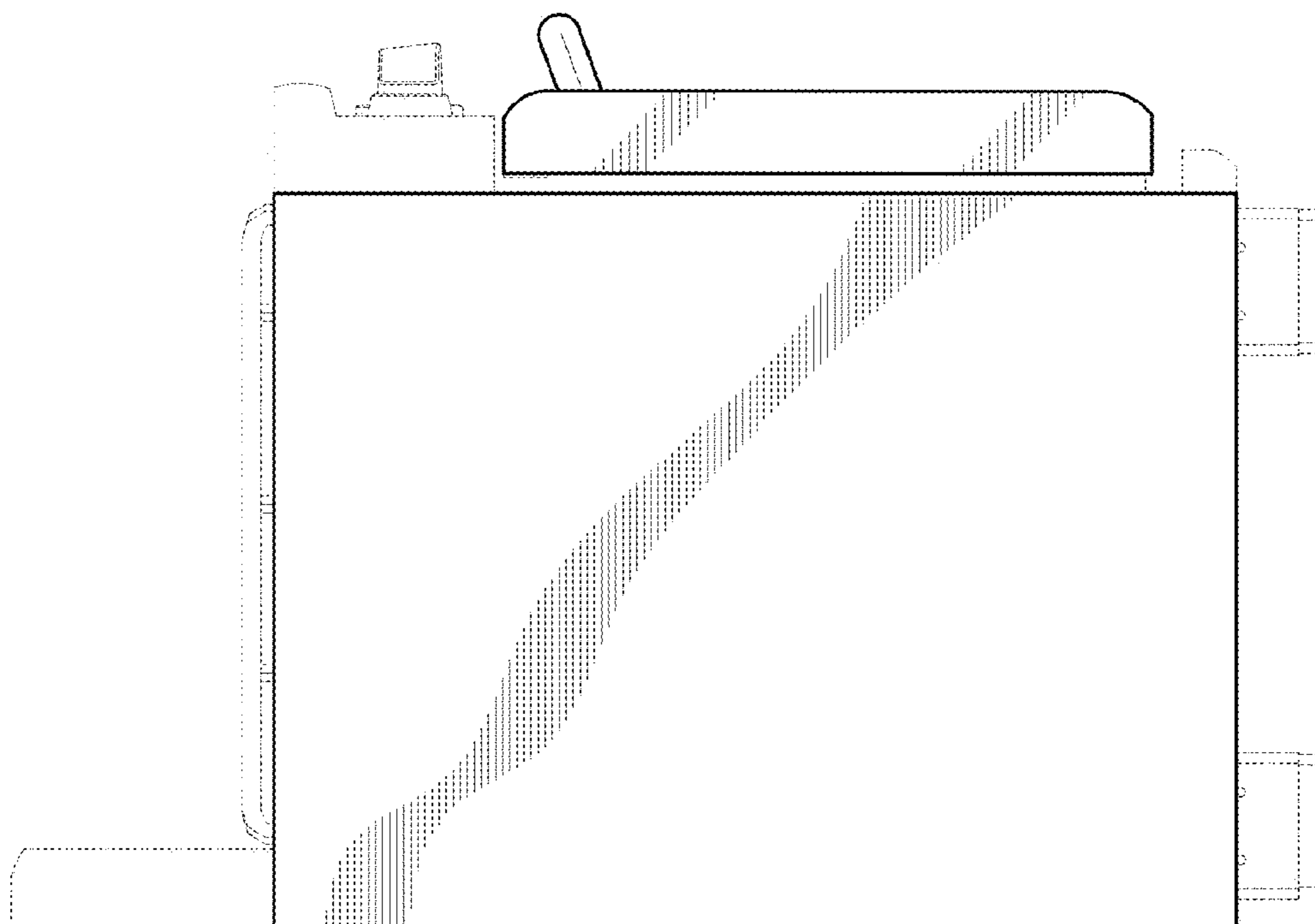


Fig. 5

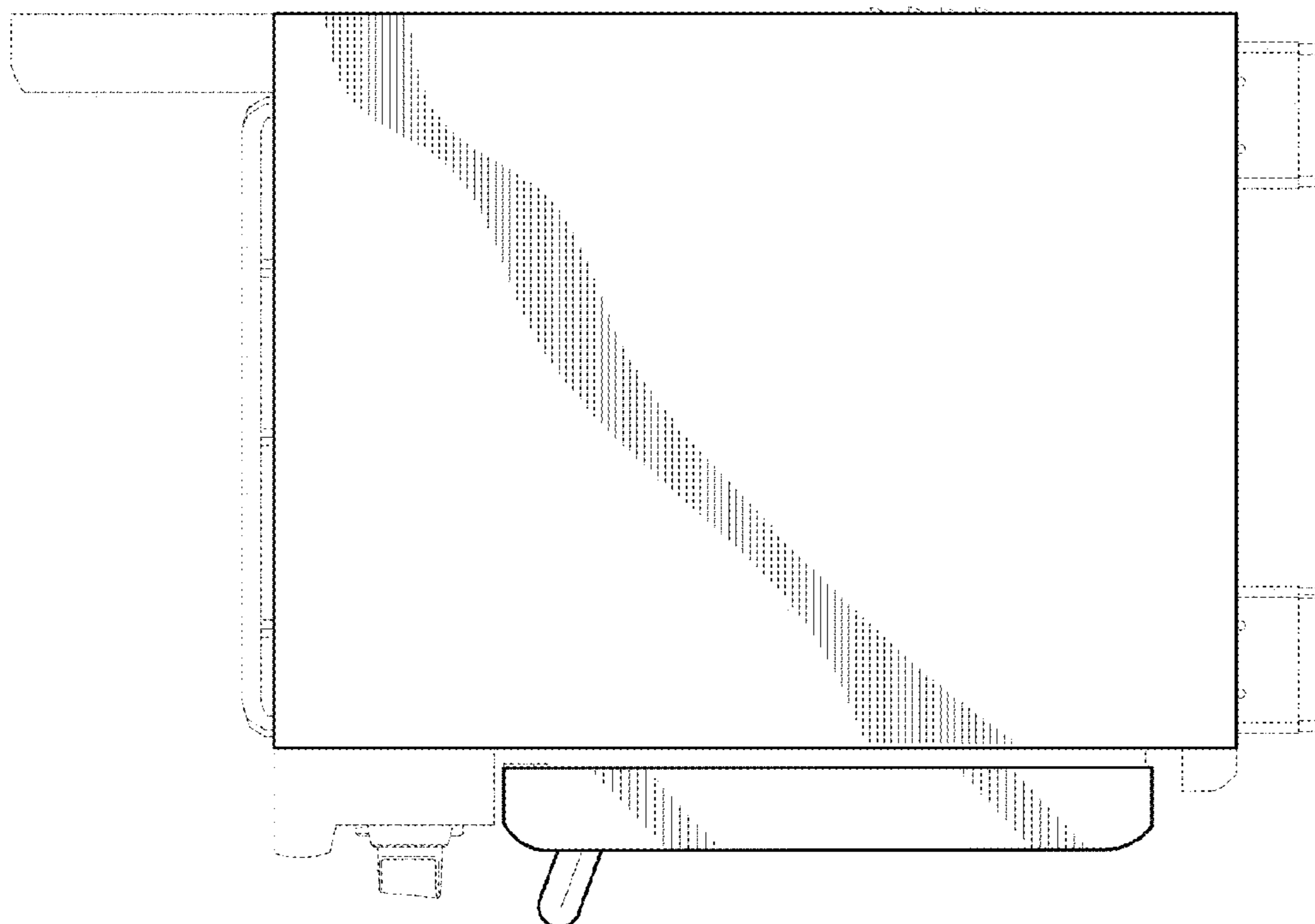


Fig. 4