



US00D742685S

(12) **United States Design Patent**  
**Dale**

(10) **Patent No.:** **US D742,685 S**  
(45) **Date of Patent:** **\*\* Nov. 10, 2015**

- (54) **TAP HANDLE**
- (71) Applicant: **Russell S. Dale**, Buffalo, NY (US)
- (72) Inventor: **Russell S. Dale**, Buffalo, NY (US)
- (\*\*) Term: **14 Years**
- (21) Appl. No.: **29/500,189**
- (22) Filed: **Aug. 22, 2014**
- (51) **LOC (10) Cl.** ..... **07-99**
- (52) **U.S. Cl.**  
USPC ..... **D7/398; D7/397**
- (58) **Field of Classification Search**  
USPC ..... D7/302, 301, 395, 393, 397, 306, 398;  
D9/645, 668; 222/400.8, 400.7;  
362/183; 40/332; D29/116.1; 2/18  
CPC ..... B65D 83/16; B67D 1/06; D67D 1/0086  
See application file for complete search history.

- 4,603,439 A \* 8/1986 Golomb ..... 2/18
- D411,710 S \* 6/1999 Watters et al. .... D7/398
- D475,888 S \* 6/2003 Celli ..... D7/398
- D485,121 S \* 1/2004 Ahlgrim et al. .... D7/398
- D555,974 S \* 11/2007 Miller ..... D7/398
- D590,031 S \* 4/2009 Aroyan ..... D9/668
- D619,849 S \* 7/2010 Power ..... D7/398
- D690,155 S \* 9/2013 Rupp ..... D7/398
- D732,747 S \* 6/2015 Phillips et al. .... D29/116.1

\* cited by examiner

*Primary Examiner* — Marianne Pandozzi  
(74) *Attorney, Agent, or Firm* — Del Vecchio and Stadler LLP

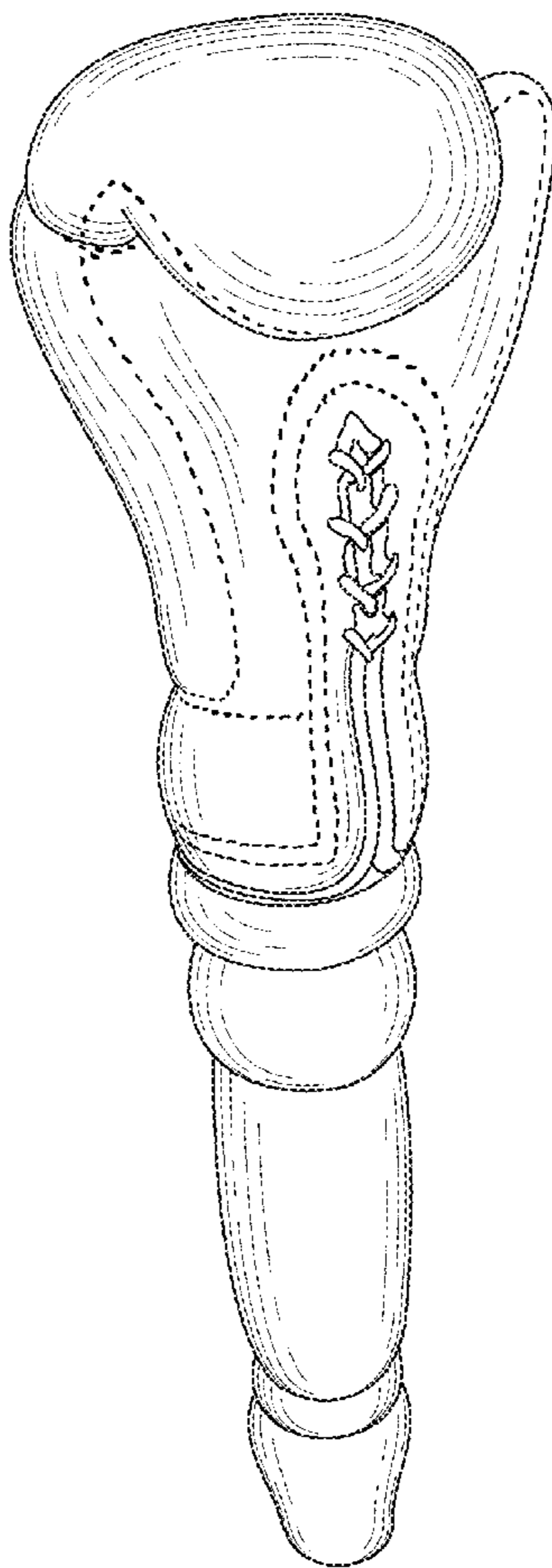
(57) **CLAIM**  
The ornamental design for a tap handle, as shown.

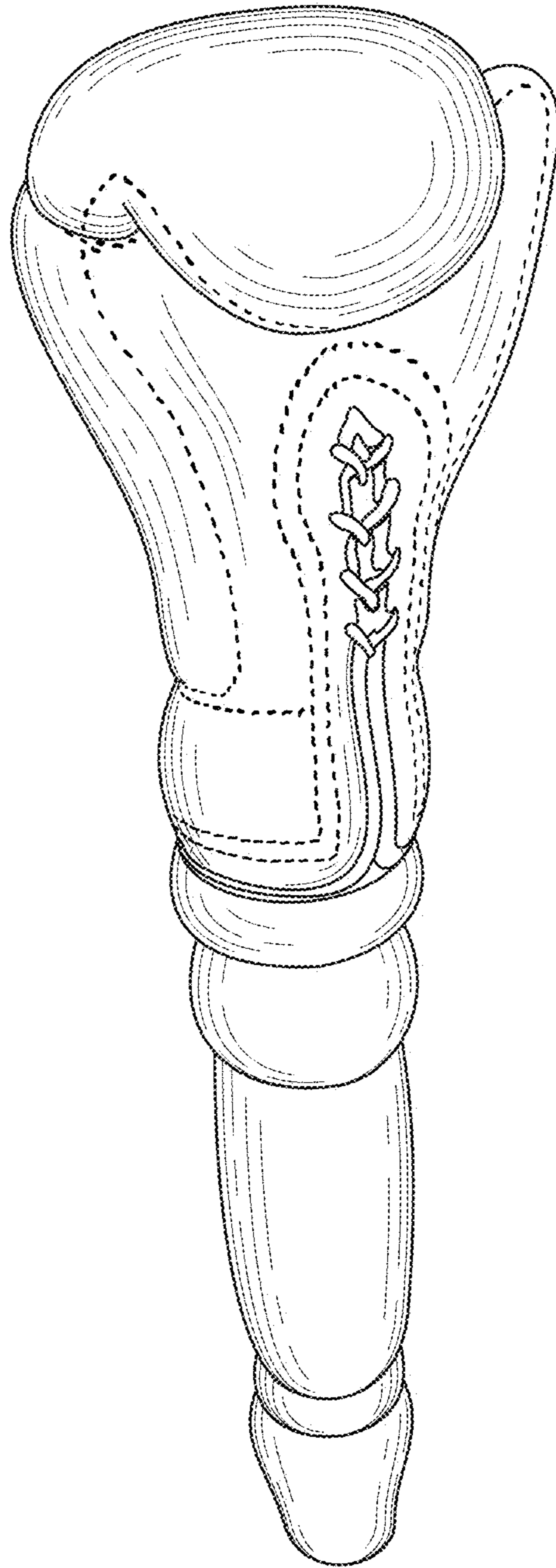
**DESCRIPTION**

FIG. 1 is a front perspective view of my new design for a tap handle;  
FIG. 2 is a front elevational view thereof;  
FIG. 3 is a rear elevational view thereof;  
FIG. 4 is a left side view of the thereof;  
FIG. 5 is a right side view of the thereof;  
FIG. 6 is a top plan view thereof; and,  
FIG. 7 is bottom plan view thereof.

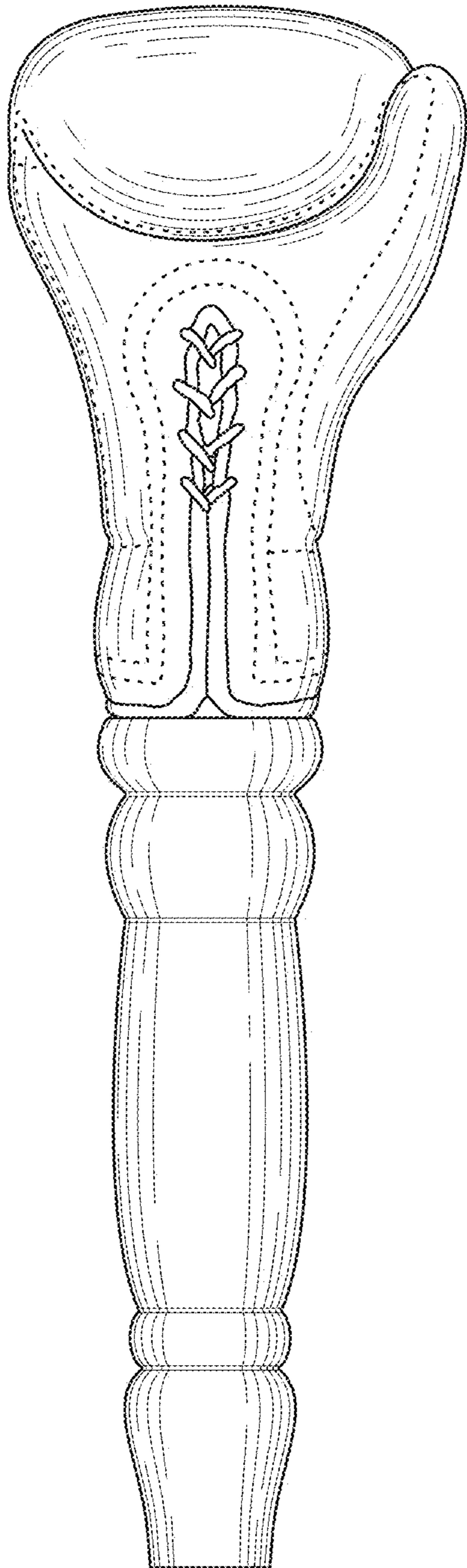
- (56) **References Cited**  
U.S. PATENT DOCUMENTS  
2,466,793 A \* 4/1949 Corbett ..... 2/18  
D273,343 S \* 4/1984 Albert ..... D29/116.1

**1 Claim, 4 Drawing Sheets**

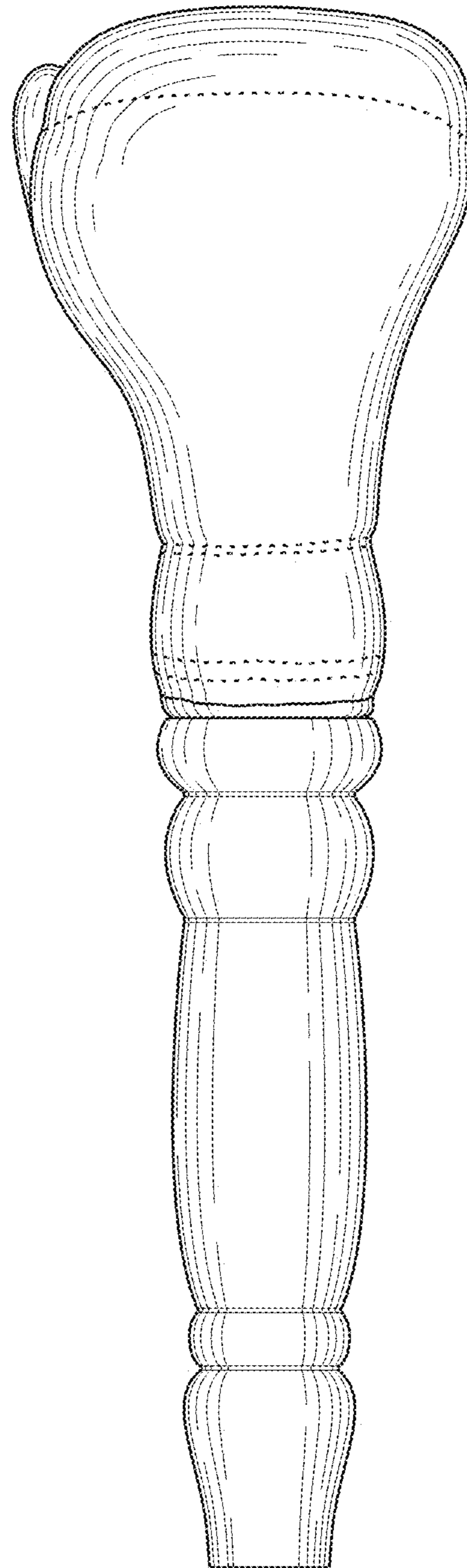




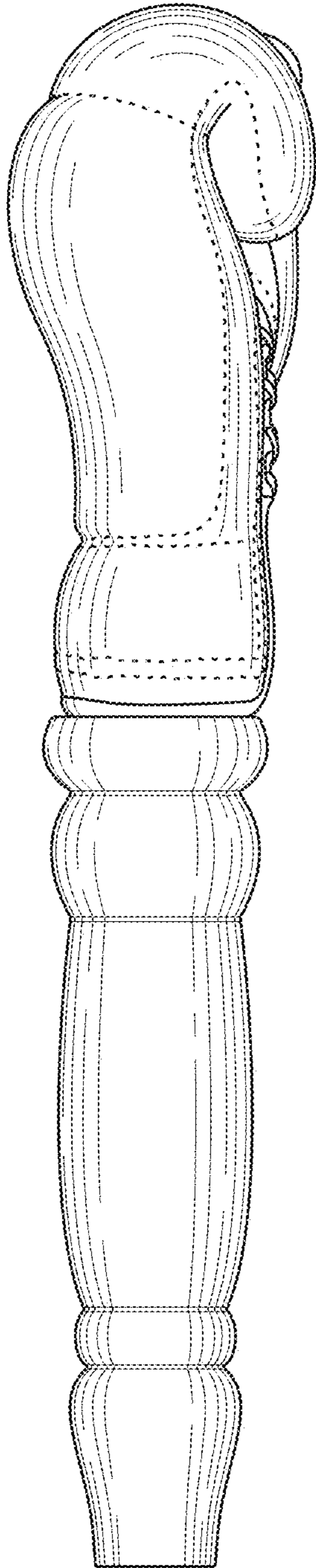
*Fig. 1*



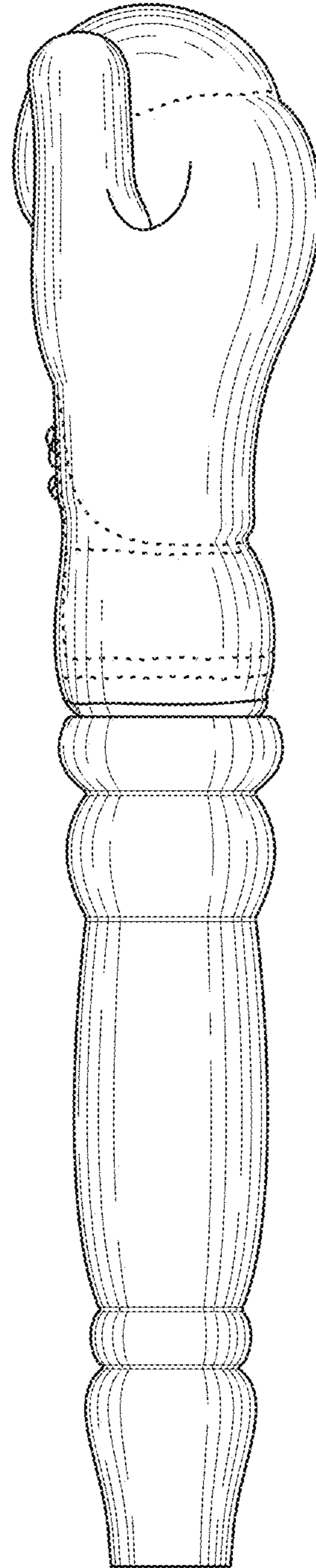
*Fig. 2*



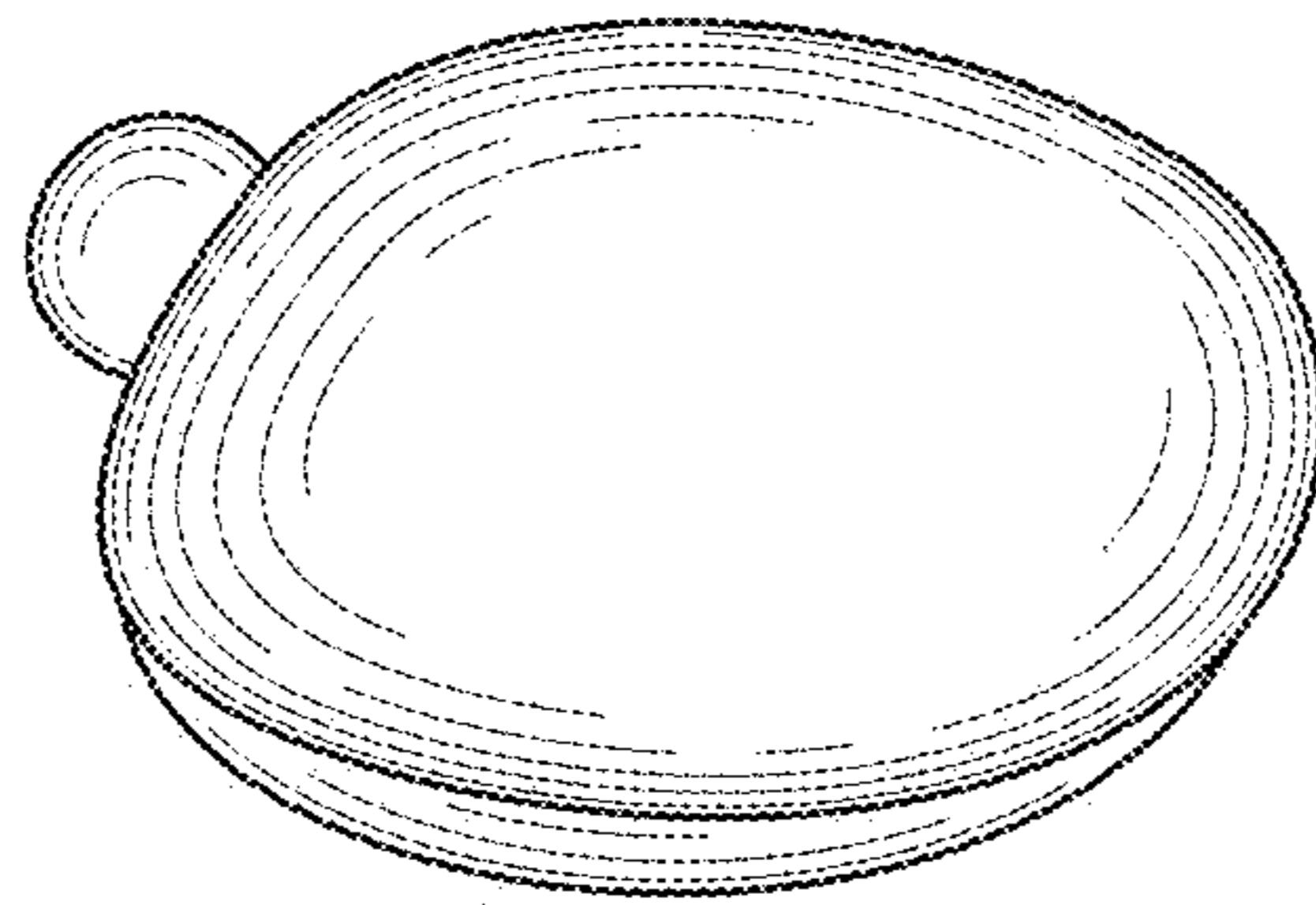
*Fig. 3*



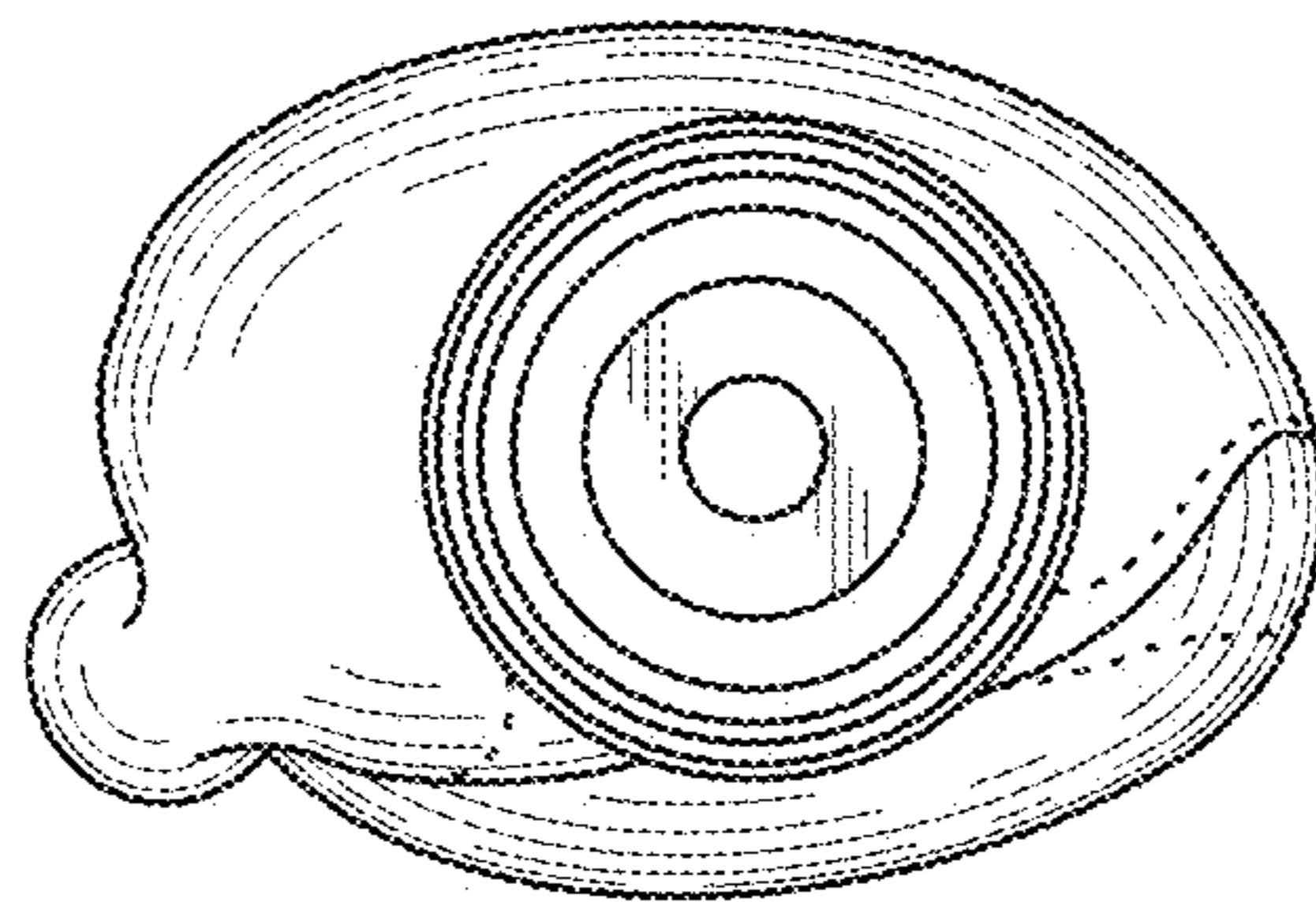
*Fig. 4*



*Fig. 5*



*Fig. 6*



*Fig. 7*