



US00D742683S

(12) **United States Design Patent**  
**Kim et al.**

(10) **Patent No.:** **US D742,683 S**

(45) **Date of Patent:** **\*\* Nov. 10, 2015**

(54) **BODY FOR A MIXER**

(56) **References Cited**

(71) Applicant: **NUC Electronics Co., Ltd.**, Daegu (KR)

U.S. PATENT DOCUMENTS

(72) Inventors: **Jong Boo Kim**, Daegu (KR); **Gun Wook Jo**, Daegu (KR); **Myeong Gyu Jang**, Daegu (KR)

D502,842	S	*	3/2005	Hallar	.....	D7/384
7,028,930	B2	*	4/2006	Carnevale	.....	241/37.5
D543,072	S	*	5/2007	Ting et al.	.....	D7/378
D547,601	S	*	7/2007	Ting et al.	.....	D7/384
D587,064	S	*	2/2009	Mark	.....	D7/384
D683,180	S	*	5/2013	Carlson	.....	D7/384
D702,993	S	*	4/2014	Lownds	.....	D7/384
8,733,239	B2	*	5/2014	Allen	.....	99/537

(73) Assignee: **NUC Electronics Co., Ltd.**, Daegu (KR)

(\*\*) Term: **14 Years**

\* cited by examiner

(21) Appl. No.: **29/491,335**

*Primary Examiner* — Ricky Pham

(22) Filed: **May 20, 2014**

(74) *Attorney, Agent, or Firm* — Seed IP Law Group PLLC

(30) **Foreign Application Priority Data**

(57) **CLAIM**

Nov. 22, 2013 (KR) ..... 30-2013-0058897

The ornamental design for a body of a mixer, as shown and described.

(51) **LOC (10) Cl.** ..... **31-00**

**DESCRIPTION**

(52) **U.S. Cl.**

USPC ..... **D7/386**; D7/376; D7/378; D7/412

(58) **Field of Classification Search**

USPC ..... D7/372, 376–386, 412–413, 602, 629, D7/665–666, 669, 679, 693–694

CPC ..... A21C 1/02; A21C 1/04; A23N 1/00; A23N 1/02; A47J 43/04; A47J 43/25; A47J 43/27; A47J 43/042; A47J 43/044; A47J 43/046; A47J 43/075; A47J 43/0722; A47J 43/0727; B01F 3/00; B01F 3/0807; B01F 3/0853; B01F 13/0059; B01F 13/0064; B02C 1/08; B02C 2/04; B02C 4/42; B02C 4/142; B02C 4/143; B02C 4/423; B02C 13/1835; B28C 5/10; B28C 5/12; B28C 5/14; B28C 5/16; F16P 3/08

See application file for complete search history.

FIG. 1 is a perspective view of a body for a mixer showing our new design.

FIG. 2 is a front view thereof.

FIG. 3 is a rear view thereof.

FIG. 4 is a left side view thereof.

FIG. 5 is a right side view thereof.

FIG. 6 is a top plan view thereof.

FIG. 7 is a bottom plan view thereof; and,

FIG. 8 is a reference view of a body for mixer in which a bowl of the mixer is combined to the body for mixer in order to show clearly an overall mixer.

The broken lines in the figures are for illustrative purposes only and form no part of the claimed design.

**1 Claim, 8 Drawing Sheets**

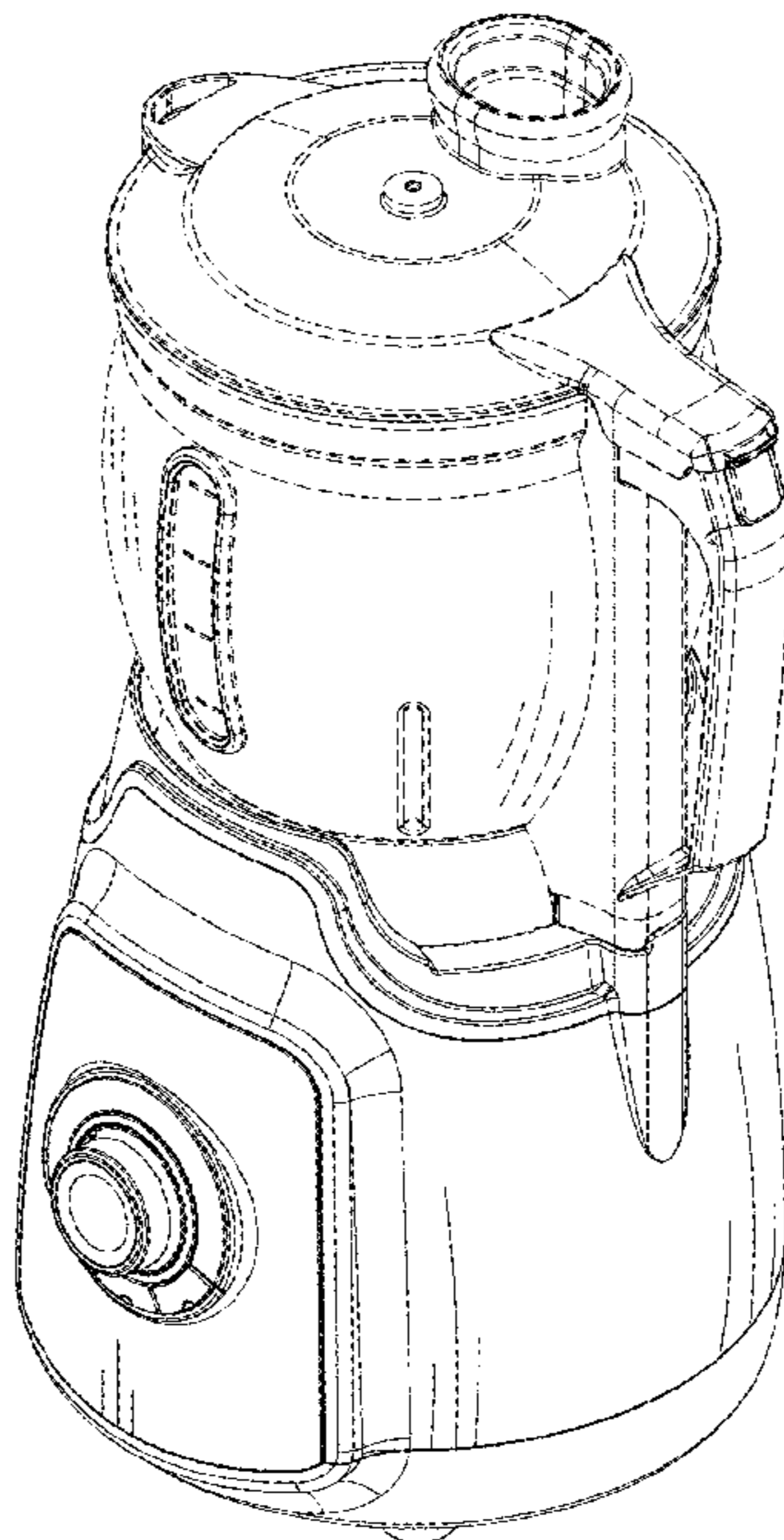


Fig. 1

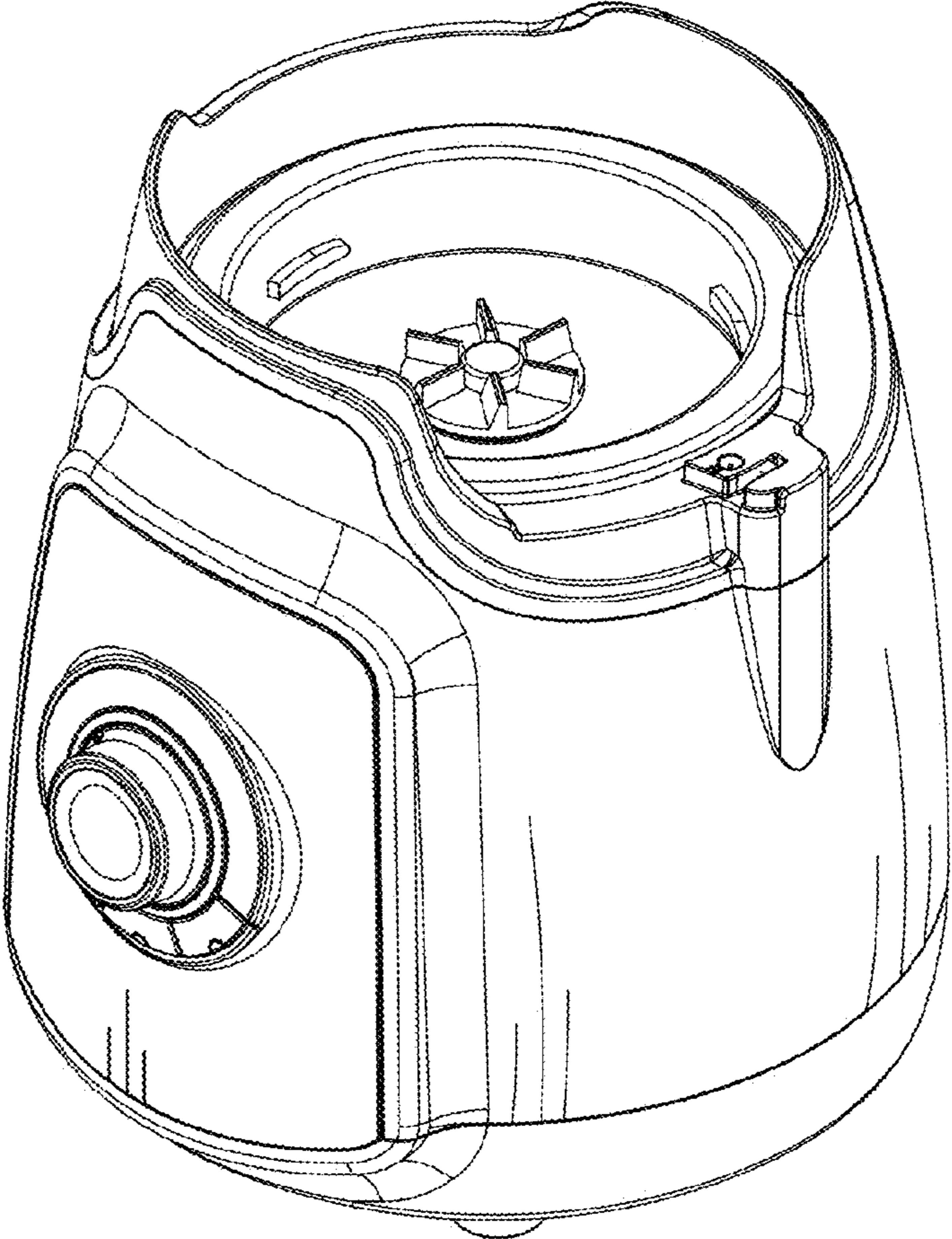


Fig.2

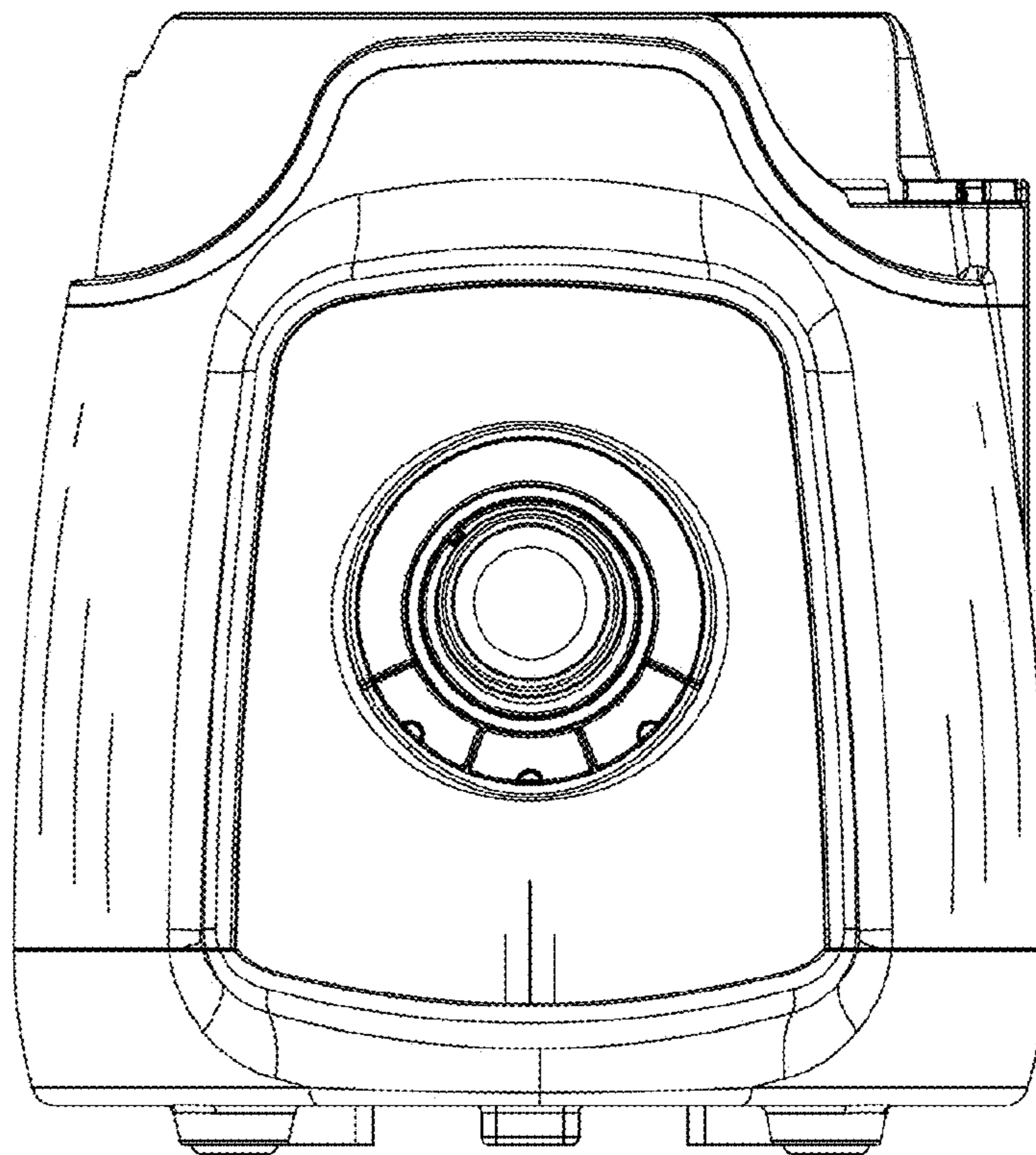


Fig.3

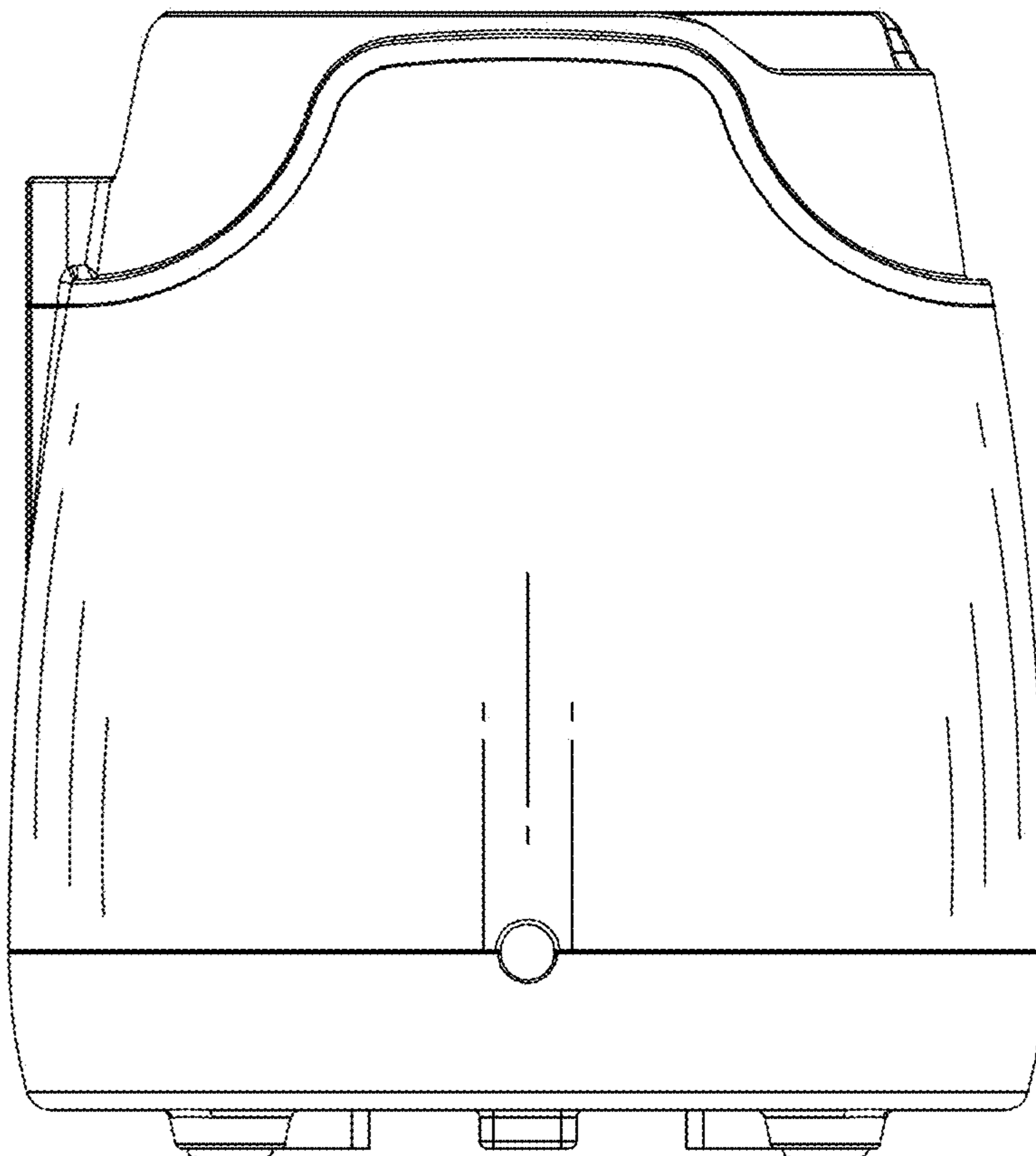




Fig.4

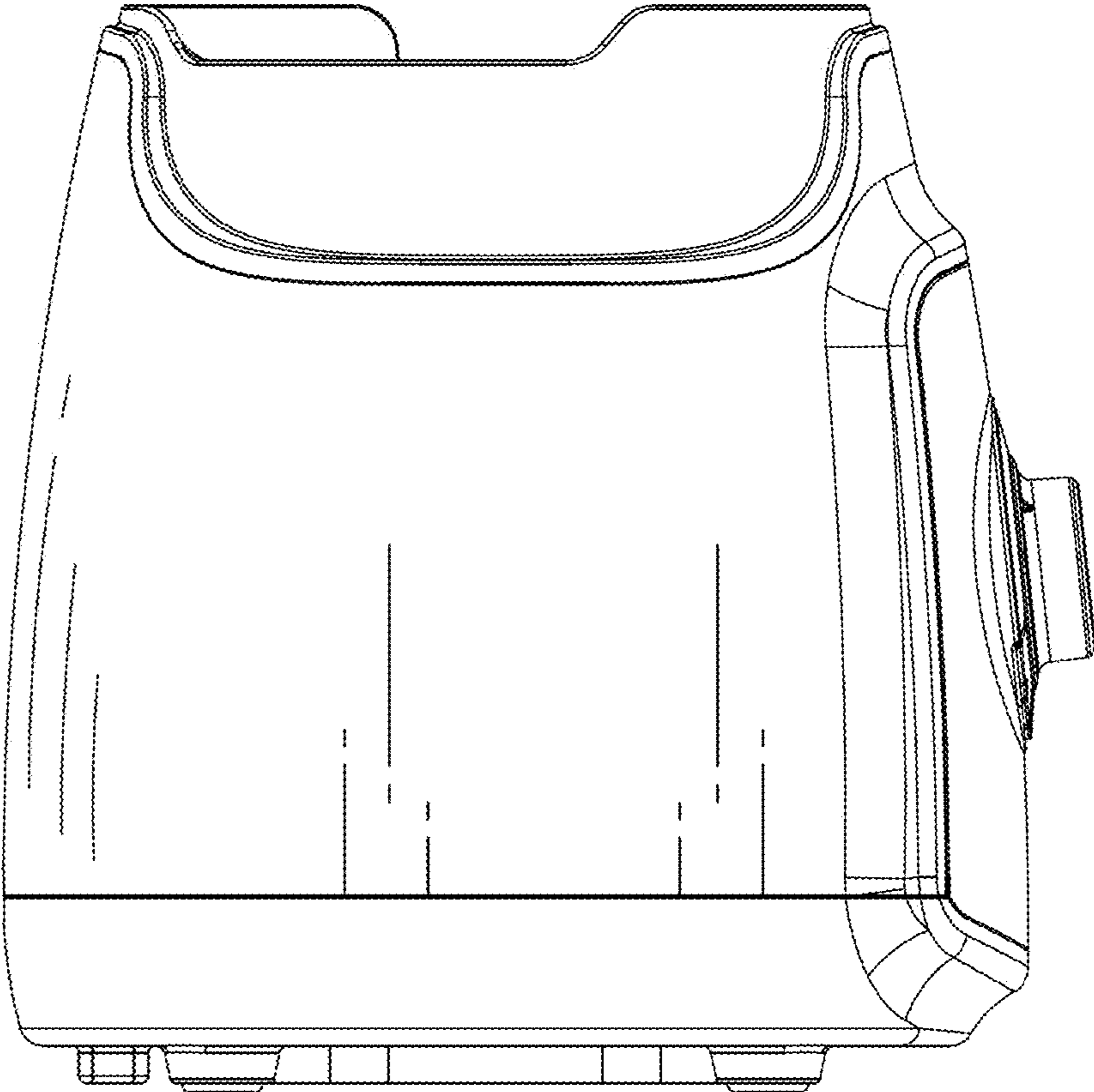


Fig.5

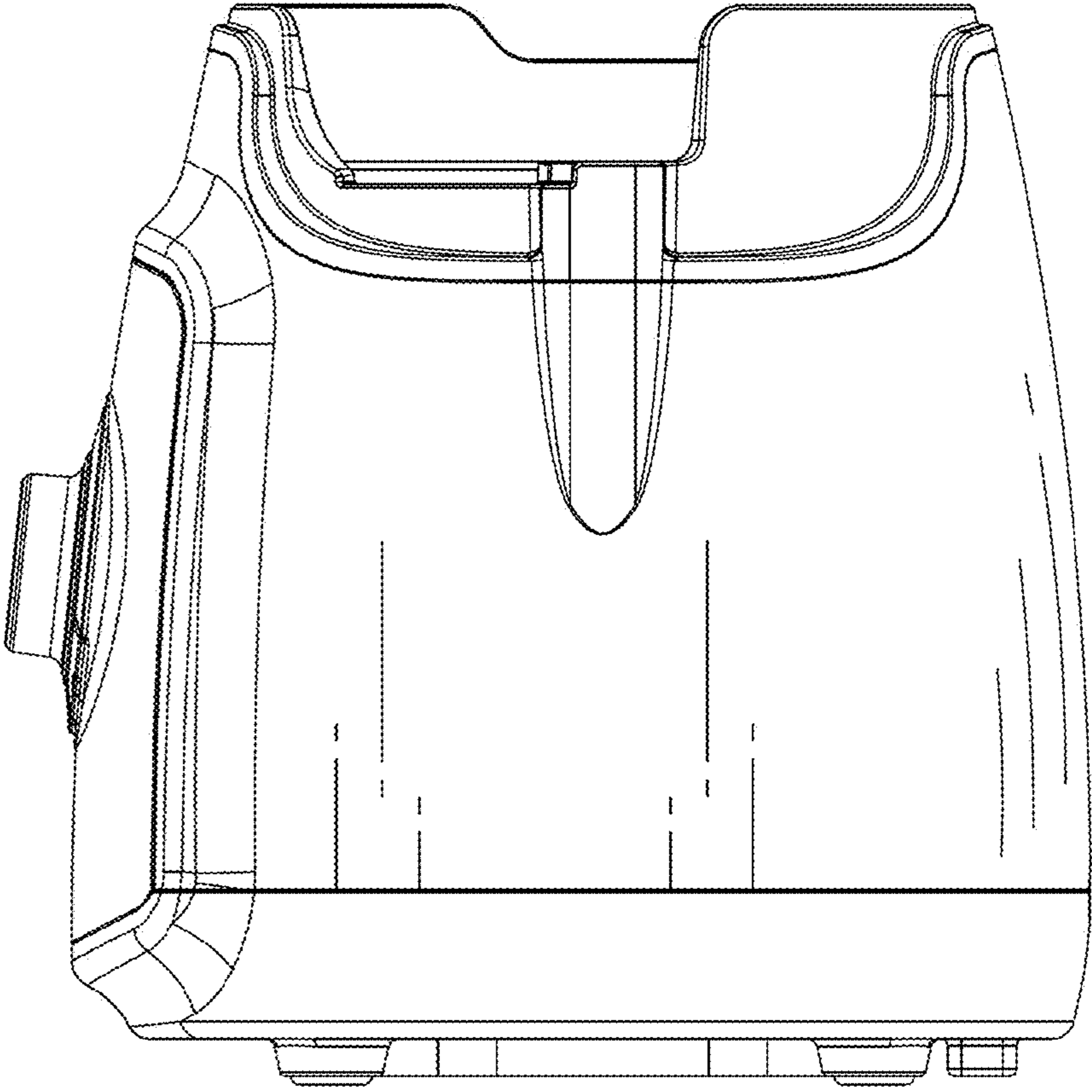


Fig.6

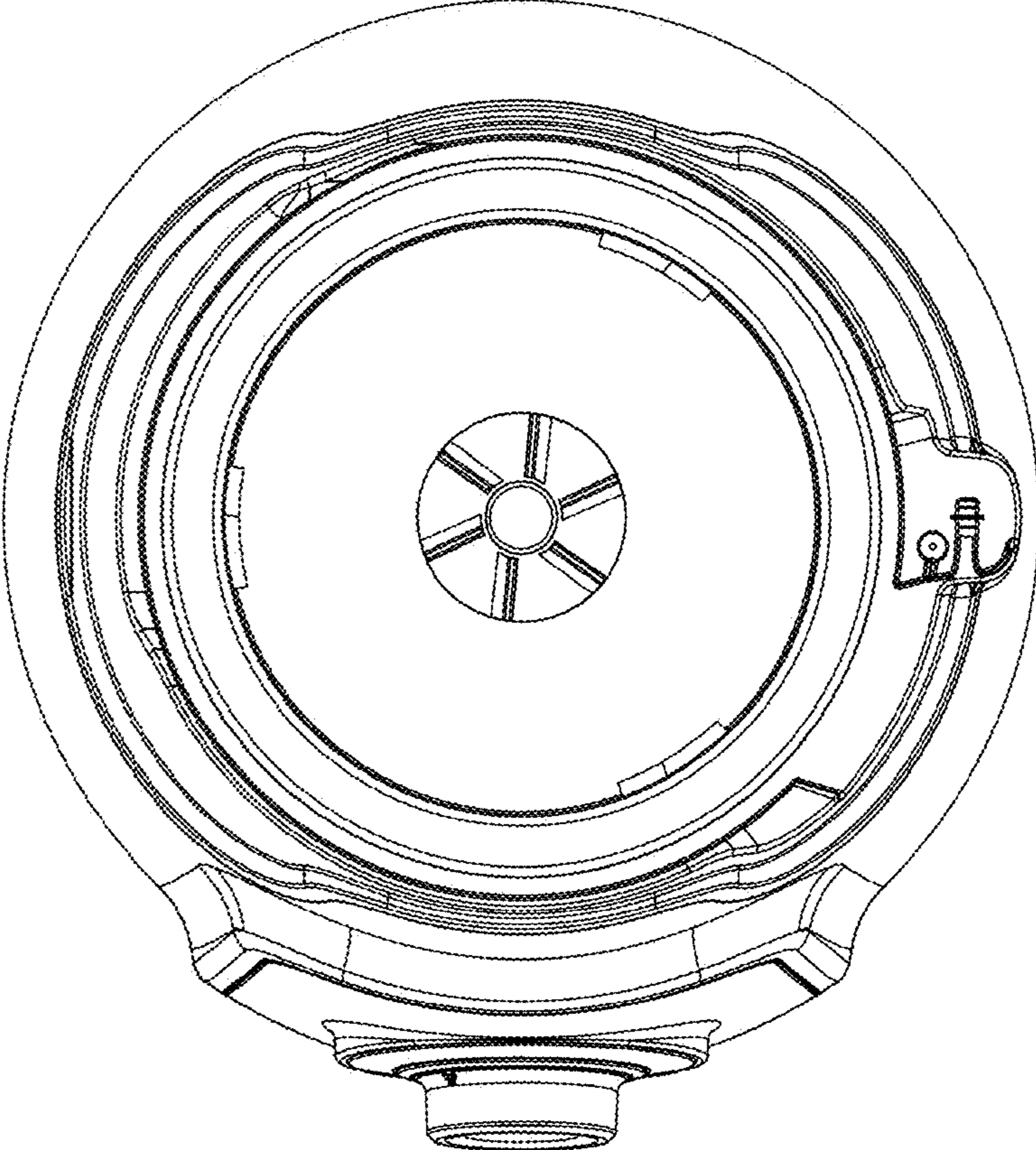


Fig.7

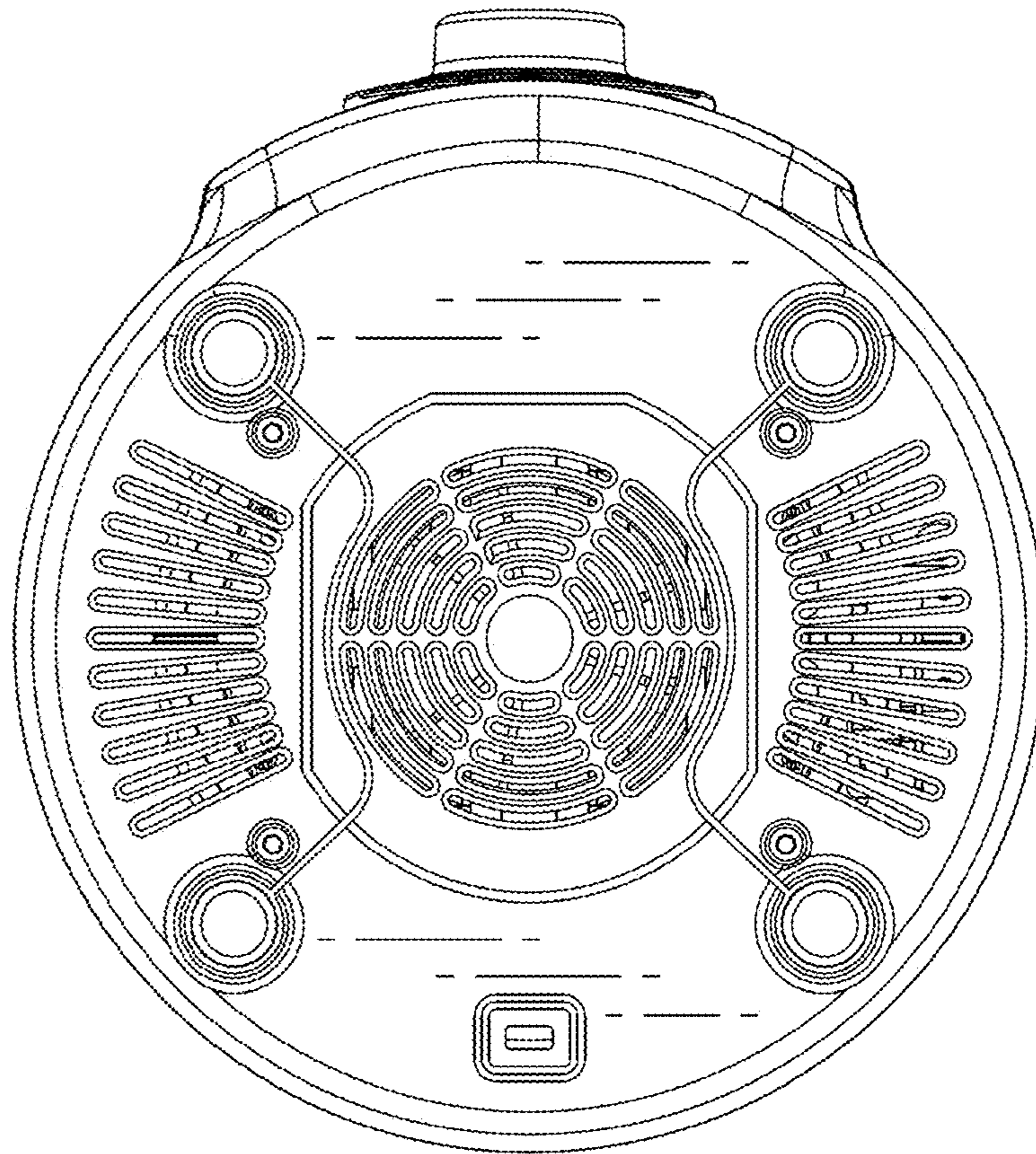




Fig.8

