



US00D742682S

(12) **United States Design Patent**
Hager et al.

(10) **Patent No.:** **US D742,682 S**

(45) **Date of Patent:** **** Nov. 10, 2015**

(54) **CANNING APPLIANCE**

(56) **References Cited**

(71) Applicant: **Hearthmark, LLC**, Daleville, IN (US)

U.S. PATENT DOCUMENTS

(72) Inventors: **Scott Hager**, McCordsville, IN (US);
Andrew James Roth, Anderson, IN
(US); **Collin Ostergaard**, Chicago, IL
(US); **Clifford Krapfl**, Chicago, IL (US)

D172,552 S *	7/1954	Perl et al.	D7/360
D347,352 S *	5/1994	Myers	D7/354
D375,651 S *	11/1996	Su	D7/350.3
D393,178 S *	4/1998	Su	D7/338
D479,432 S *	9/2003	Barker	D7/360
D503,584 S *	4/2005	White	D7/355
D534,759 S *	1/2007	Wang	D7/354
D577,247 S *	9/2008	Barnes	D7/354
D592,902 S *	5/2009	Currie	D7/355
D618,039 S *	6/2010	Hoff	D7/354
D620,743 S *	8/2010	Hsiao	D7/354
7,943,888 B2 *	5/2011	Barnes	H05B 1/0266 219/432
D667,256 S *	9/2012	Krapfl	D7/354

(73) Assignee: **Heartmark, LLC**, Fishers, IN (US)

(**) Term: **14 Years**

(21) Appl. No.: **29/497,222**

(22) Filed: **Jul. 22, 2014**

* cited by examiner

(51) **LOC (10) Cl.** **07-02**

Primary Examiner — Ricky Pham

(52) **U.S. Cl.**

(74) *Attorney, Agent, or Firm* — Lawrence J. Shurupoff

USPC **D7/356**; D7/354

(58) **Field of Classification Search**

(57) **CLAIM**

The ornamental design for the canning appliance, as shown and described.

USPC D7/323, 350.3, 354–361, 391, 393

CPC A47J 27/00; A47J 27/0004; A47J 27/08;

A47J 27/0802; A47J 27/0804; A47J 27/0811;

A47J 27/0813; A47J 27/0815; A47J 27/0817;

A47J 27/084; A47J 27/09; A47J 27/092;

A47J 36/025; A47J 36/06; A47J 37/12;

A47J 37/1204; A47J 37/1209; A47J 45/07;

A47J 45/071; A47J 45/074; A47J 45/08;

B01D 2201/345; B01J 3/03; B01J 3/04;

F01P 2011/0247; F01P 2011/0252; H05B

1/0266; H05B 6/00; H05B 6/02; H05B 6/06

See application file for complete search history.

DESCRIPTION

FIG. 1 is a top right front perspective view of the canning appliance;

FIG. 2 is a front view thereof;

FIG. 3 is a right side view thereof;

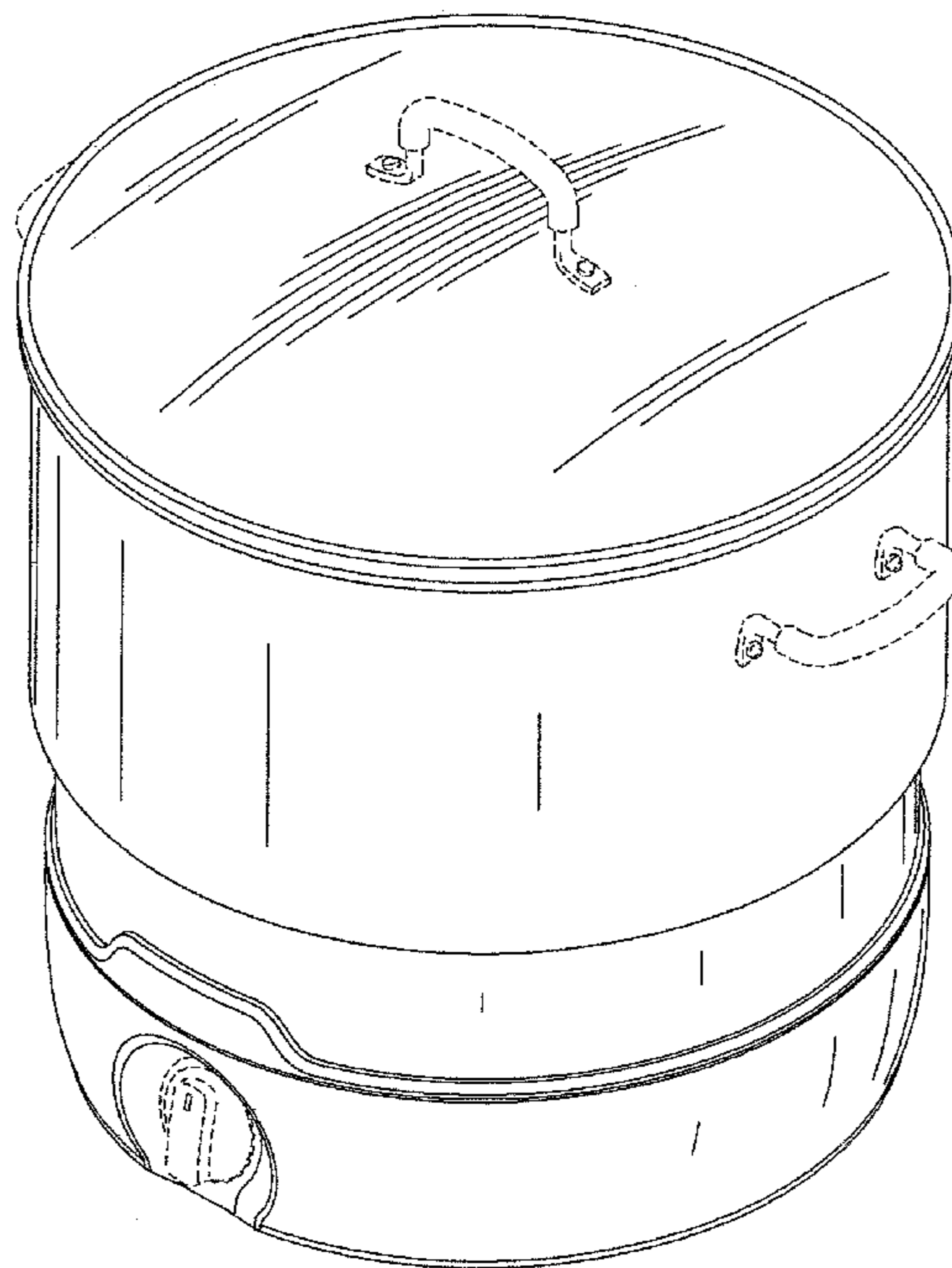
FIG. 4 is a rear view thereof;

FIG. 5 is a left side view thereof; and,

FIG. 6 is a top plan view thereof.

The broken lines in the drawings are for illustrative purposes only and form no part of the claimed design.

1 Claim, 6 Drawing Sheets



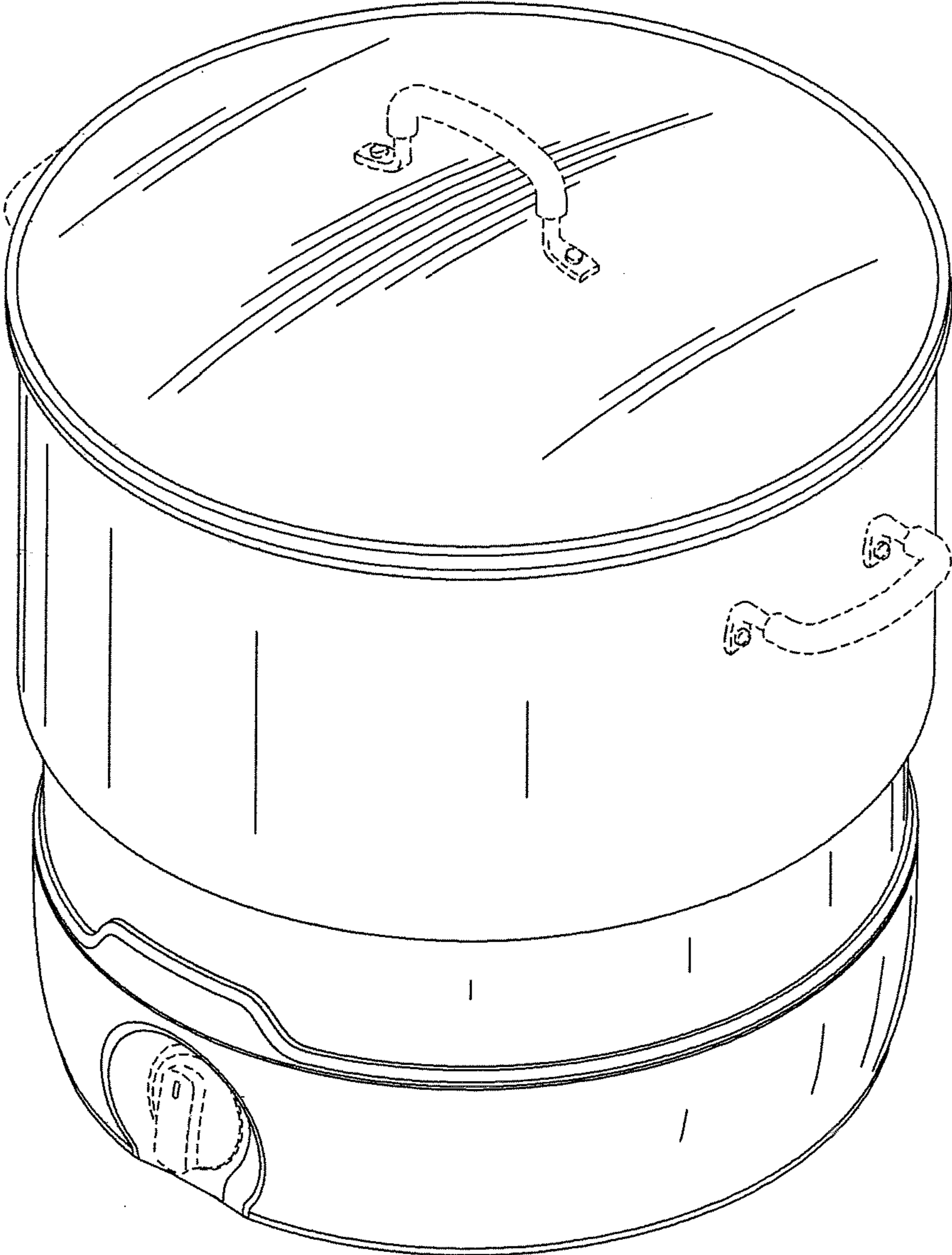


FIG 1

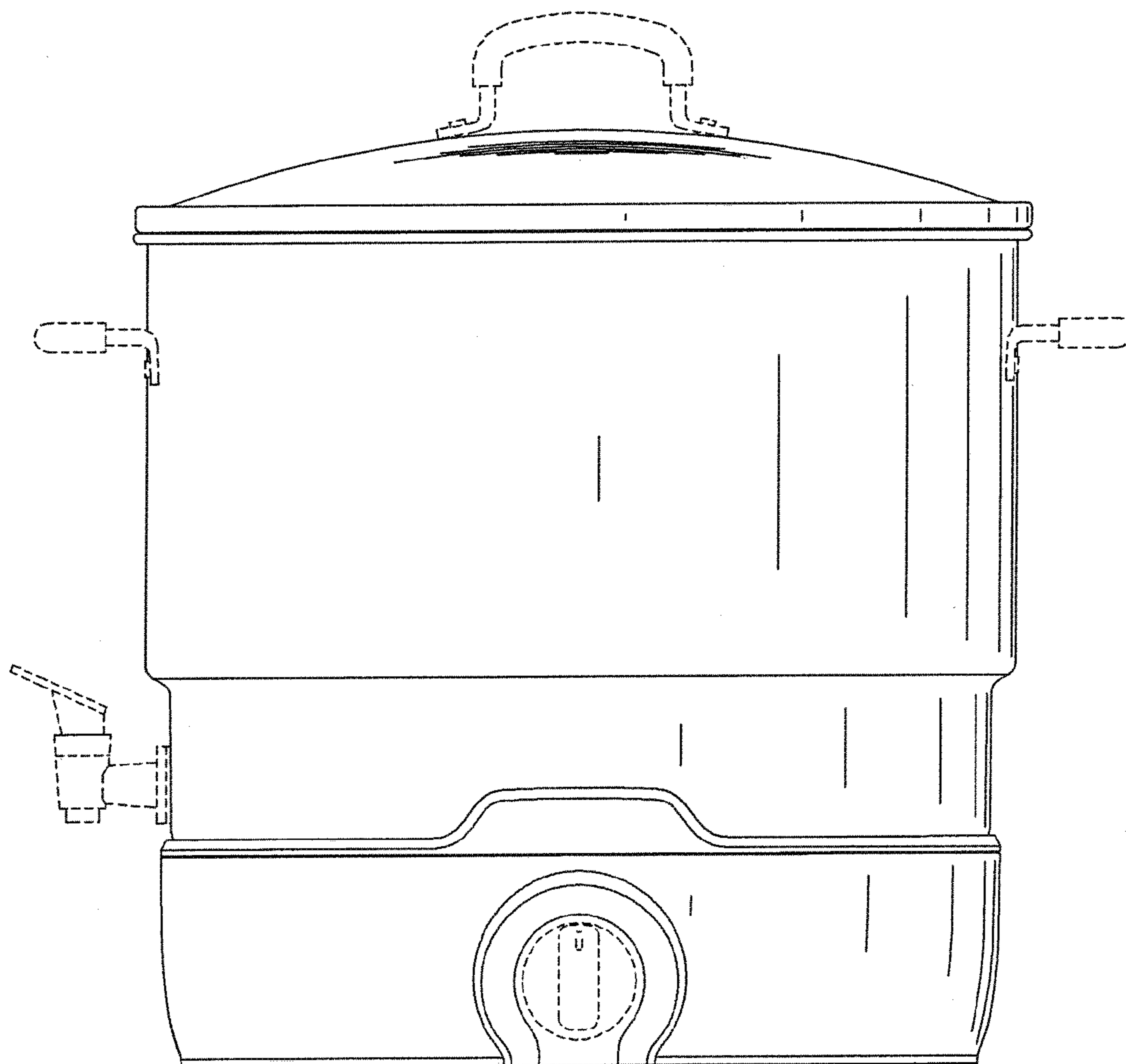


FIG 2

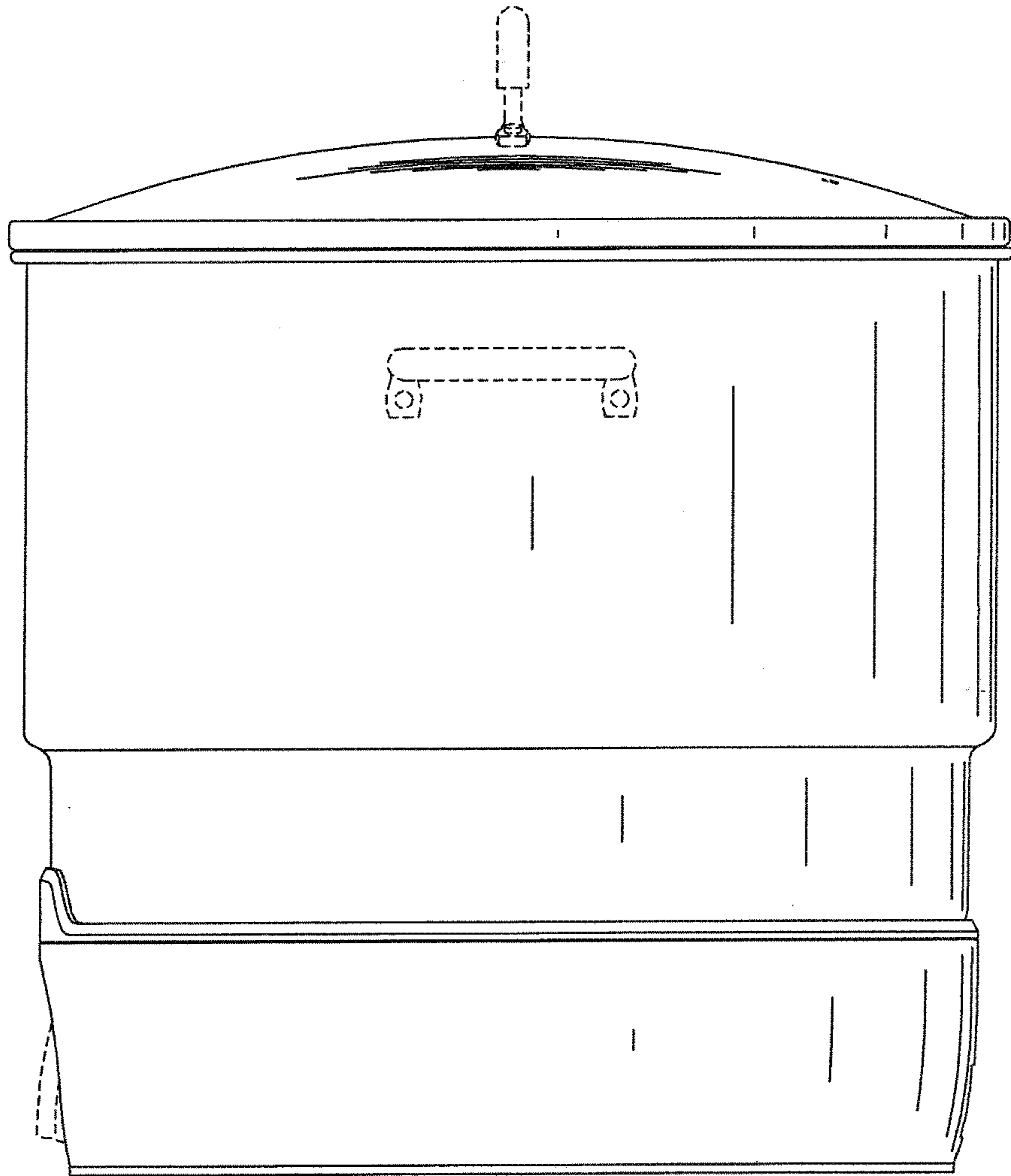


FIG 3

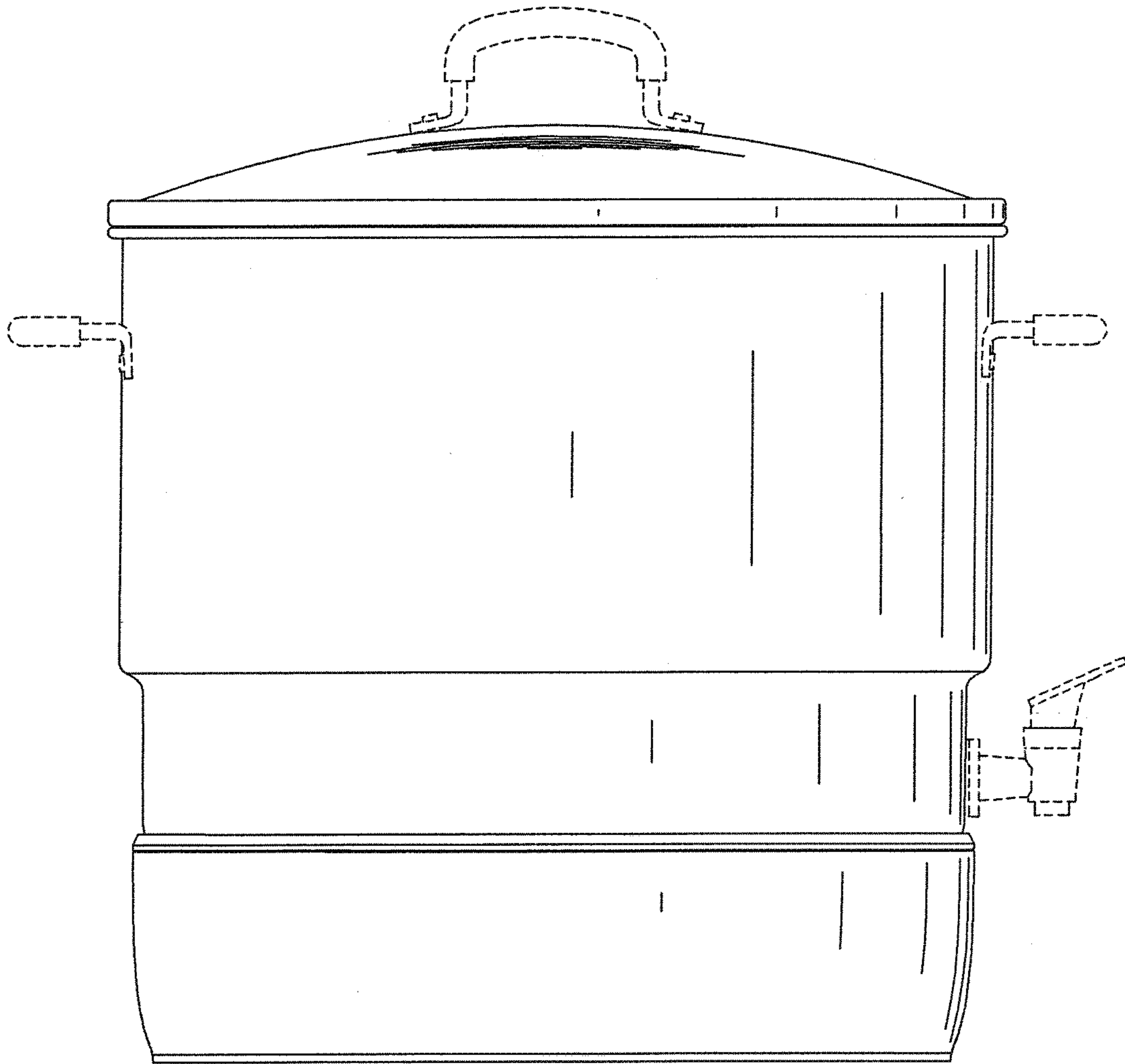


FIG 4

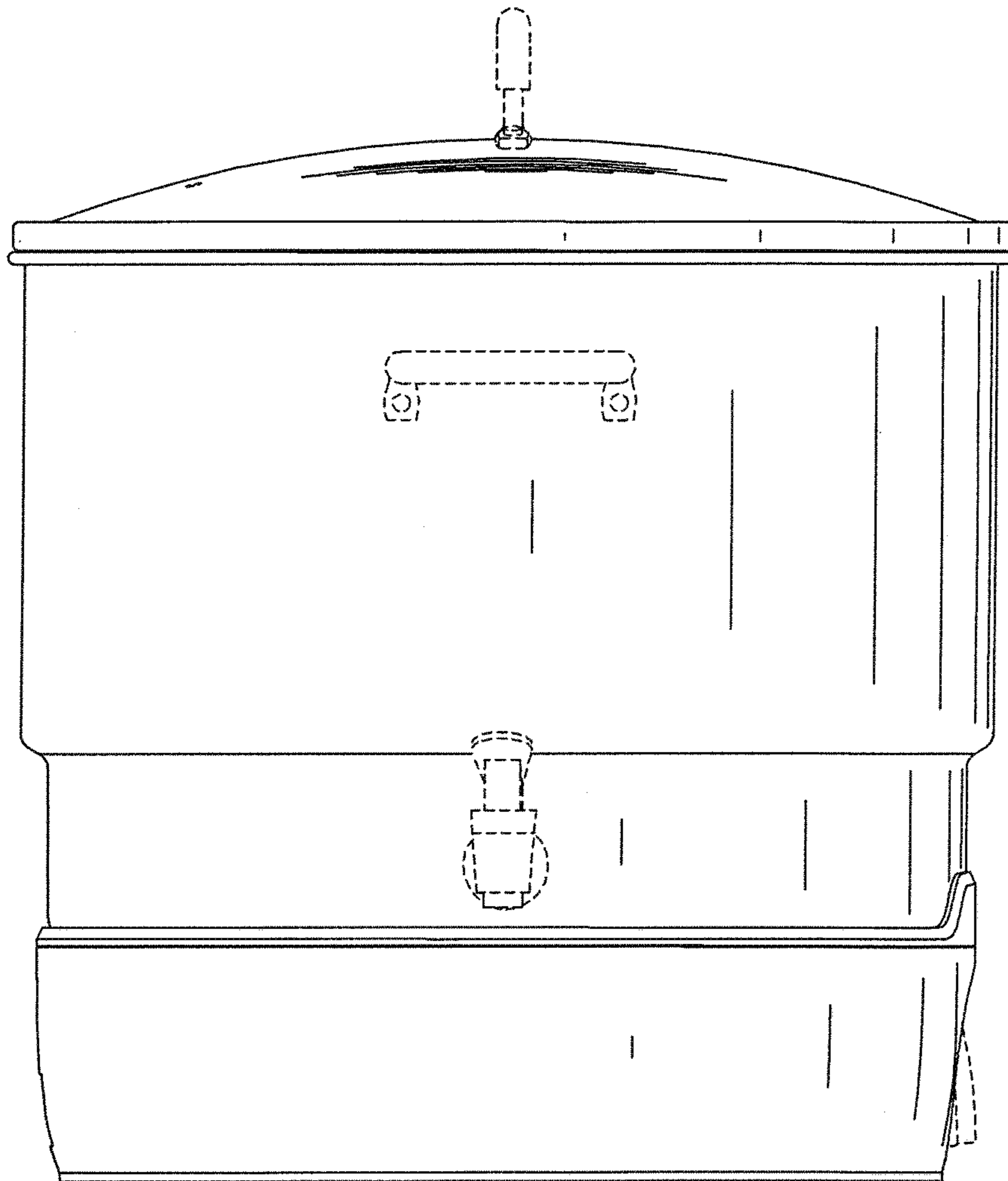


FIG 5

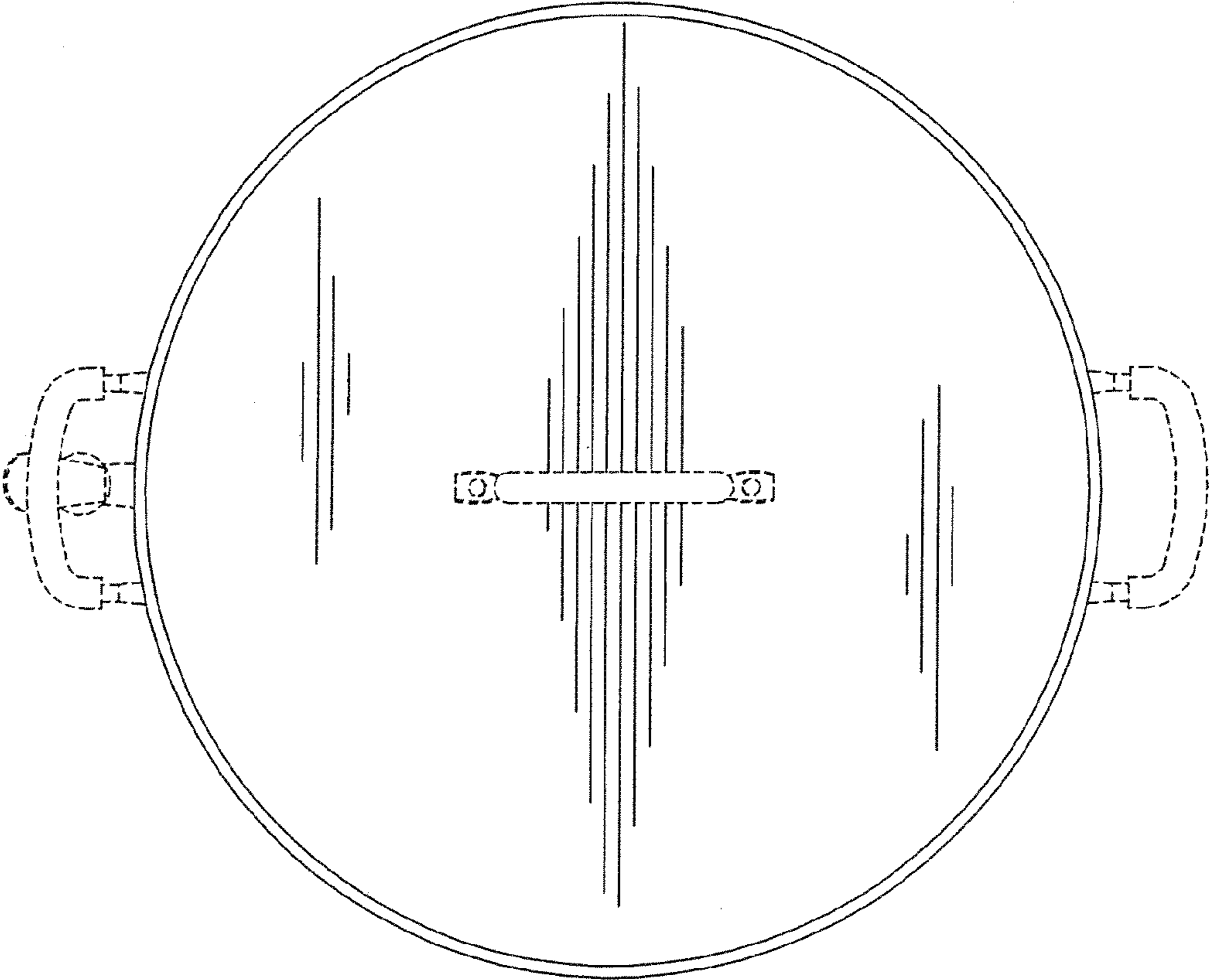


FIG 6