



US00D742681S

(12) **United States Design Patent**
Pai

(10) **Patent No.:** **US D742,681 S**

(45) **Date of Patent:** **** Nov. 10, 2015**

(54) **BARBECUE GRILL**

(71) Applicant: **Lucas Pai**, Taichung (TW)

(72) Inventor: **Lucas Pai**, Taichung (TW)

(**) Term: **14 Years**

(21) Appl. No.: **29/503,231**

(22) Filed: **Sep. 24, 2014**

(51) **LOC (10) Cl.** **07-02**

(52) **U.S. Cl.**
USPC **D7/337**

(58) **Field of Classification Search**
USPC D7/332, 334–337, 402–405, 417
CPC A47J 37/0704; A47J 37/0763; A47J
37/0745; A47J 37/0713; A47J 37/0768;
A47J 37/079; A47J 36/26; F24B 1/205;
F24B 15/04; F24C 3/14; F47J 33/00; B65D
7/26

See application file for complete search history.

D699,999	S	*	2/2014	Miller	D7/337
D703,992	S	*	5/2014	Yang	D7/337
D713,683	S	*	9/2014	Pai	D7/402
D717,097	S	*	11/2014	Lin	D7/334
D726,490	S	*	4/2015	Spencer	D7/332
D737,092	S	*	8/2015	Lin	D7/334
2004/0112365	A1	*	6/2004	Johnson	A47J 37/0713 126/41 R
2005/0051151	A1	*	3/2005	Johnson	A47J 37/0713 126/41 R
2008/0230045	A1	*	9/2008	Bruno	A47J 37/0704 126/25 R
2010/0180881	A1	*	7/2010	Chen	A47J 37/0713 126/25 R
2013/0074822	A1	*	3/2013	Chien	A47J 37/0763 126/25 R

* cited by examiner

Primary Examiner — Ruth McInroy

(74) *Attorney, Agent, or Firm* — Egbert Law Offices, PLLC

(57) **CLAIM**

The ornamental design for a barbecue grill, as shown and described.

(56) **References Cited**

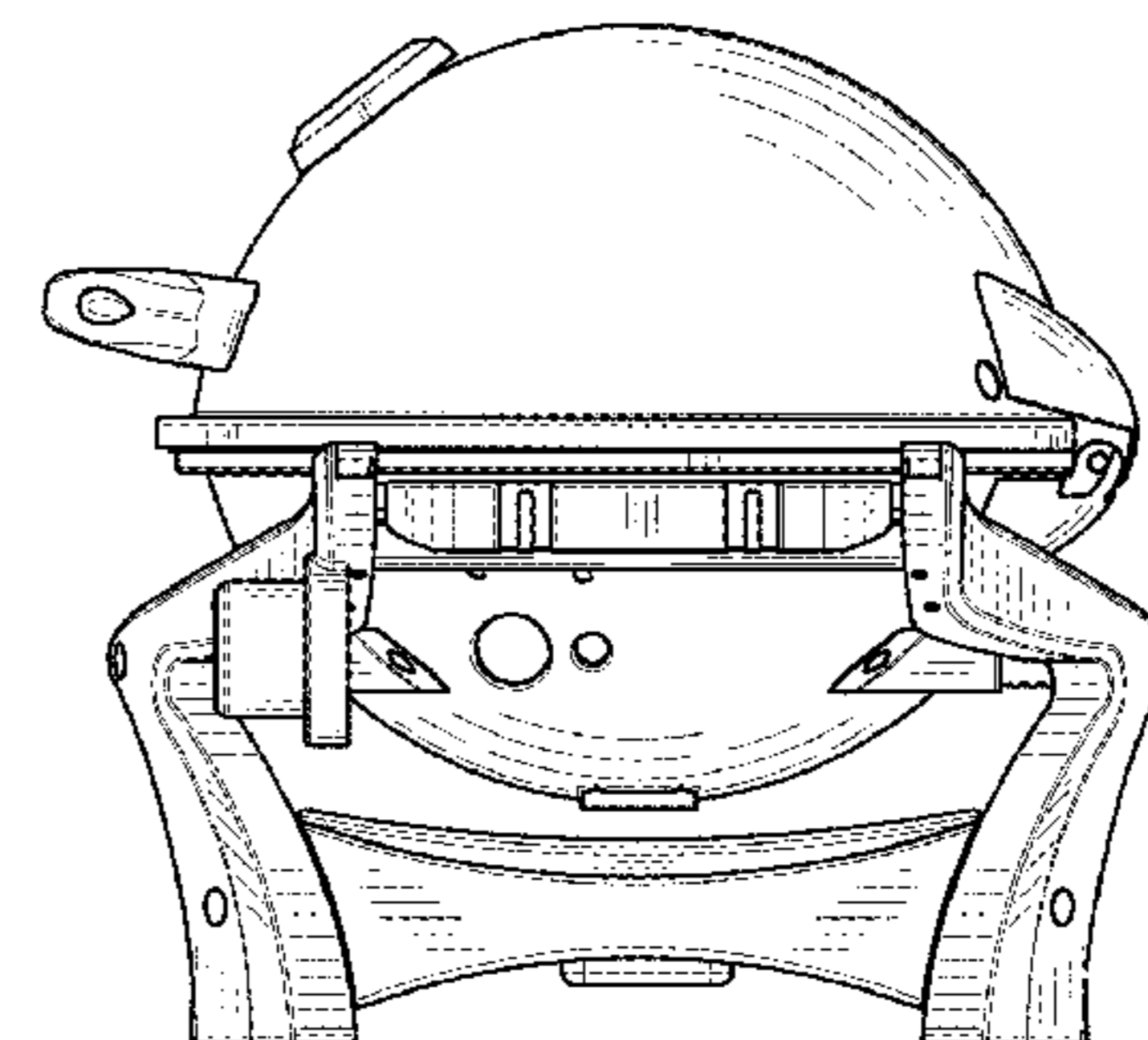
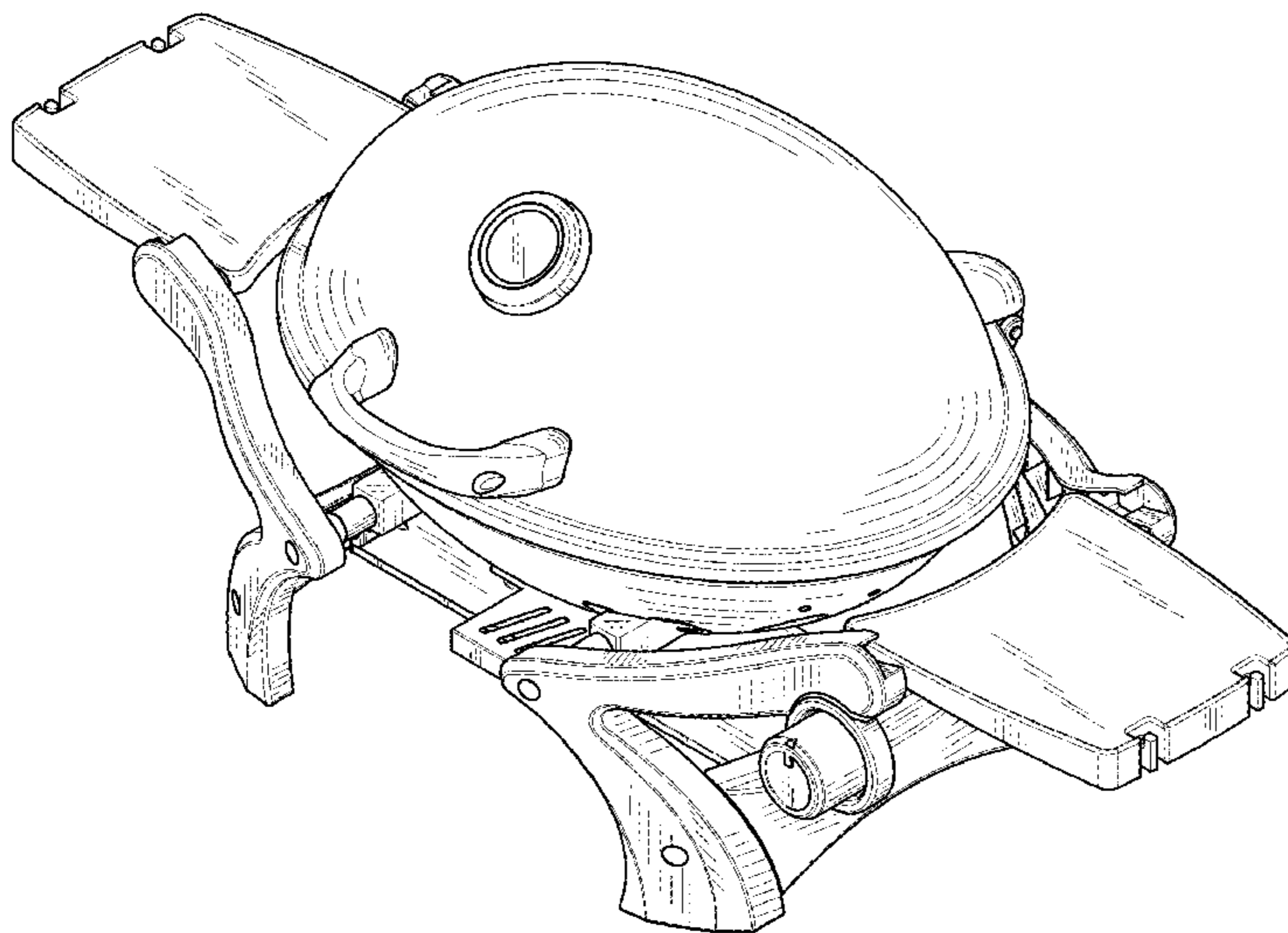
U.S. PATENT DOCUMENTS

D457,030	S	*	5/2002	DeMars	D7/332
D457,776	S	*	5/2002	DeMars	D7/332
D458,506	S	*	6/2002	DeMars	D7/332
D503,582	S	*	4/2005	Johnson	D7/332
D607,262	S	*	1/2010	Chung	D7/334
D618,035	S	*	6/2010	Chung	D7/334
D631,686	S	*	2/2011	Tiller	D7/337
D687,667	S	*	8/2013	Chien	D7/334
D688,082	S	*	8/2013	Crick	D7/334
D688,083	S	*	8/2013	Crick	D7/337

DESCRIPTION

FIG. 1 is an upper perspective view of a barbecue grill showing my new design.
FIG. 2 is a front elevation view thereof;
FIG. 3 is rear elevation view thereof;
FIG. 4 is a side elevation view thereof;
FIG. 5 is an opposite side elevation view thereof;
FIG. 6 is a top plan view thereof; and,
FIG. 7 is a bottom plan view thereof.

1 Claim, 7 Drawing Sheets



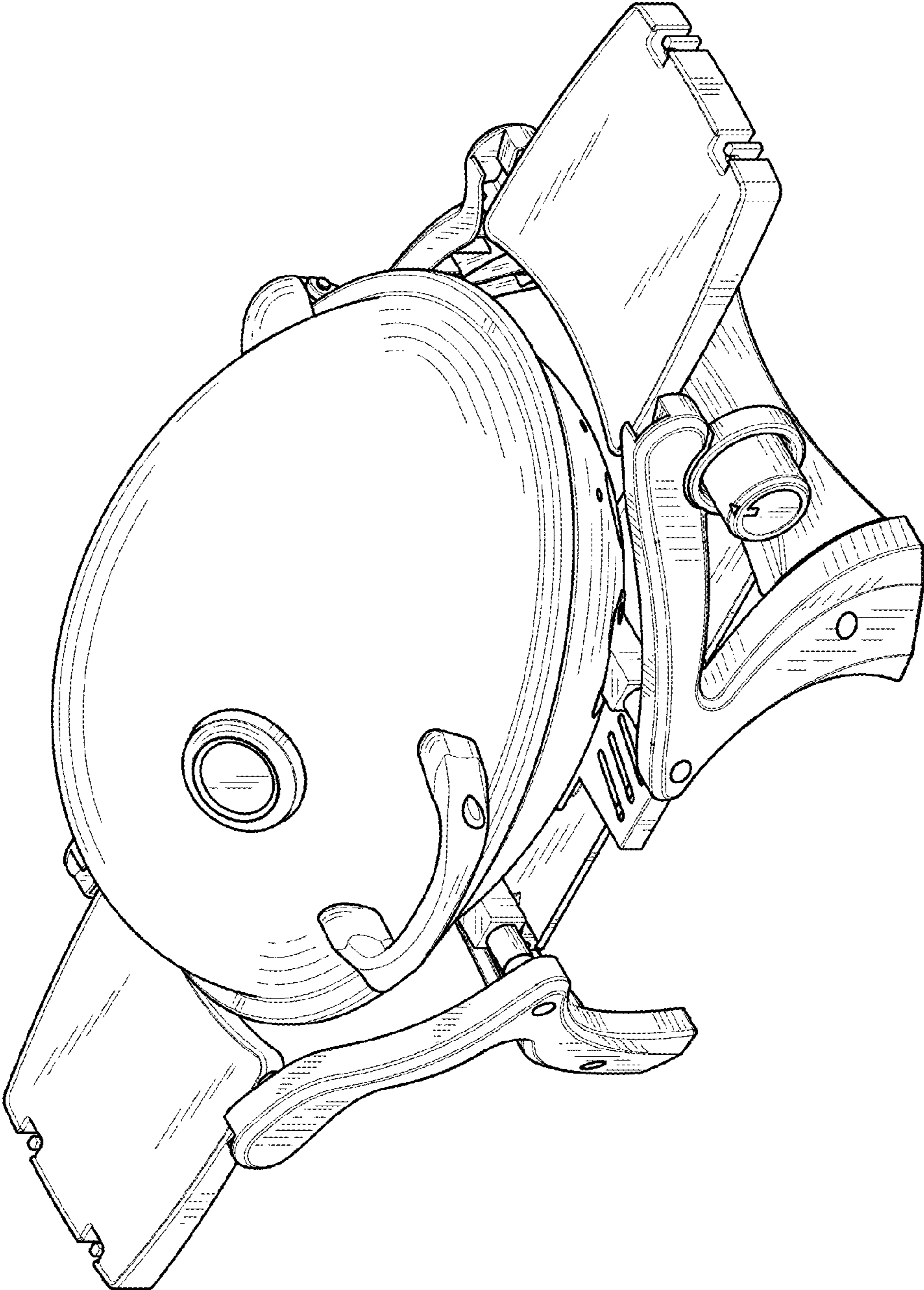


FIG.1

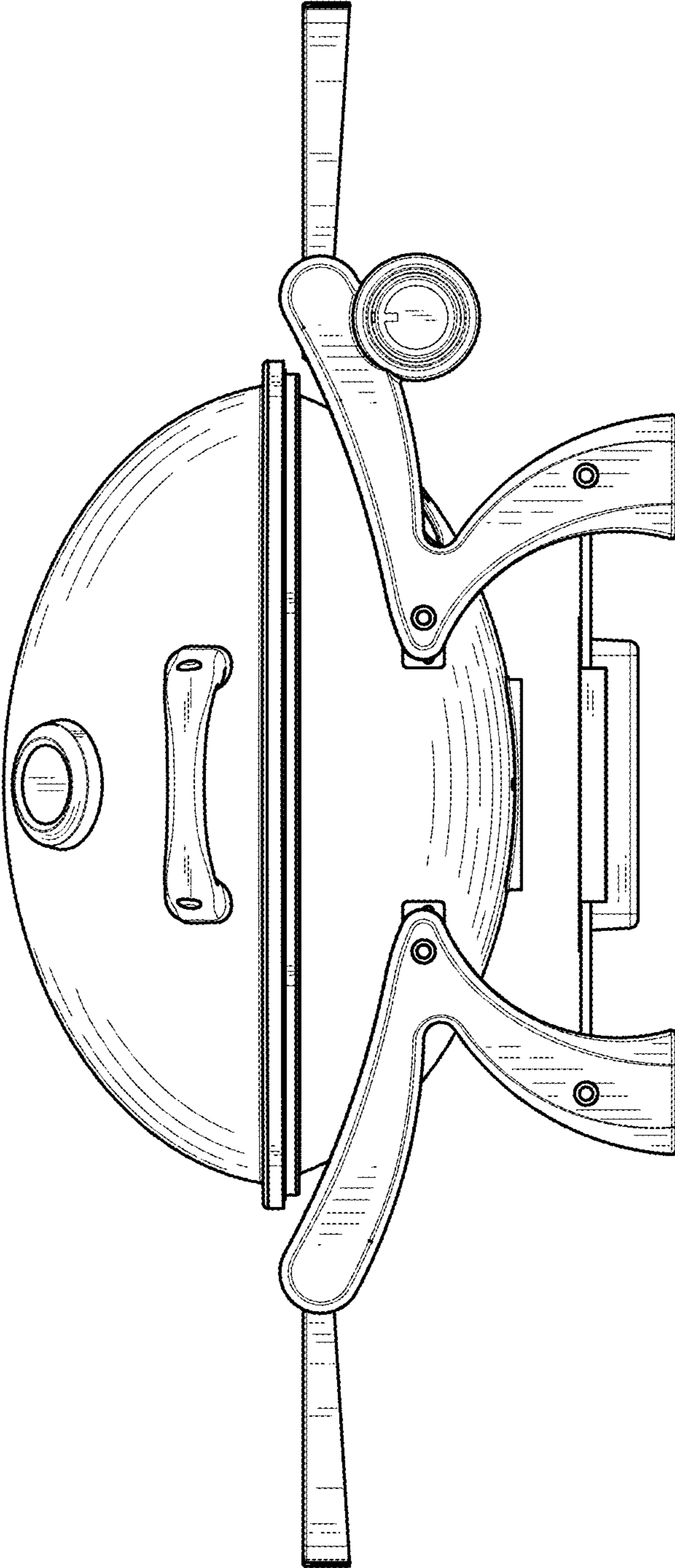


FIG.2

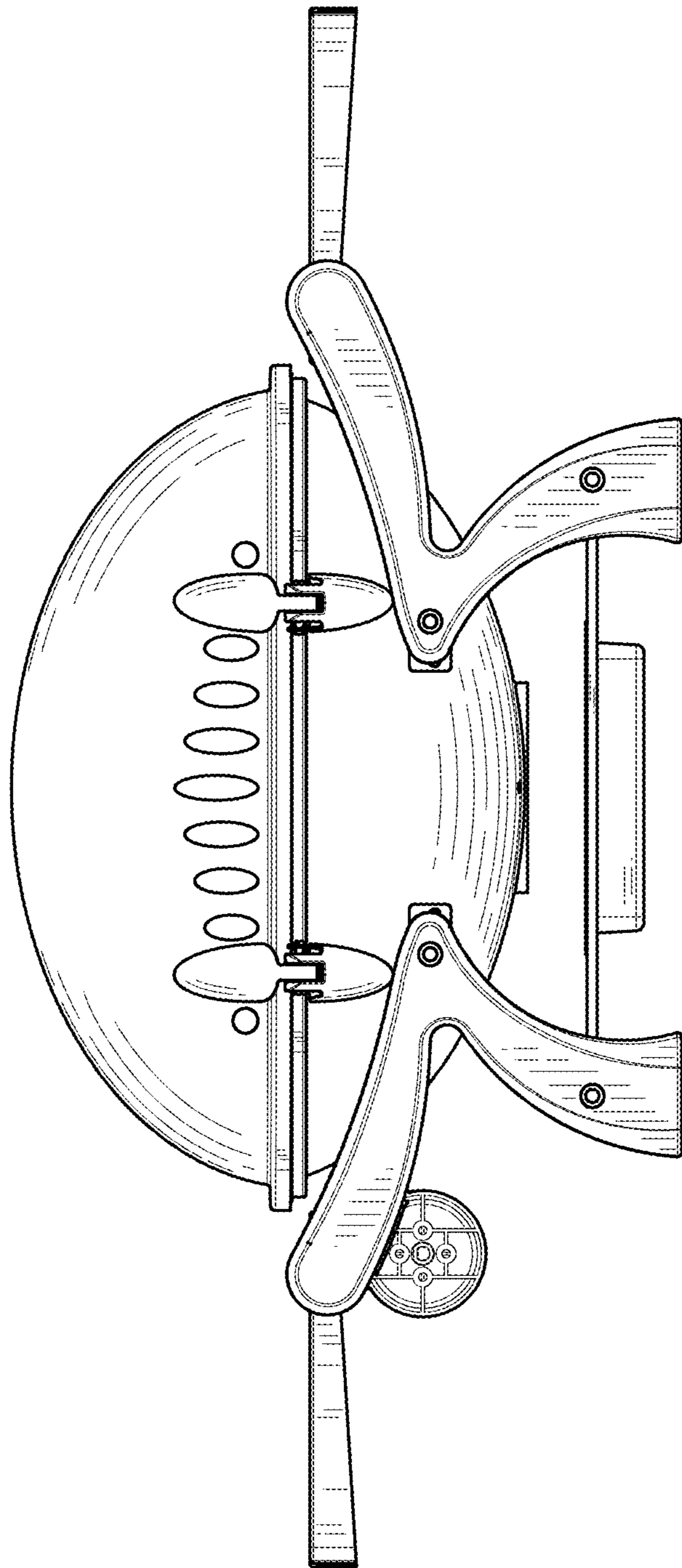


FIG.3

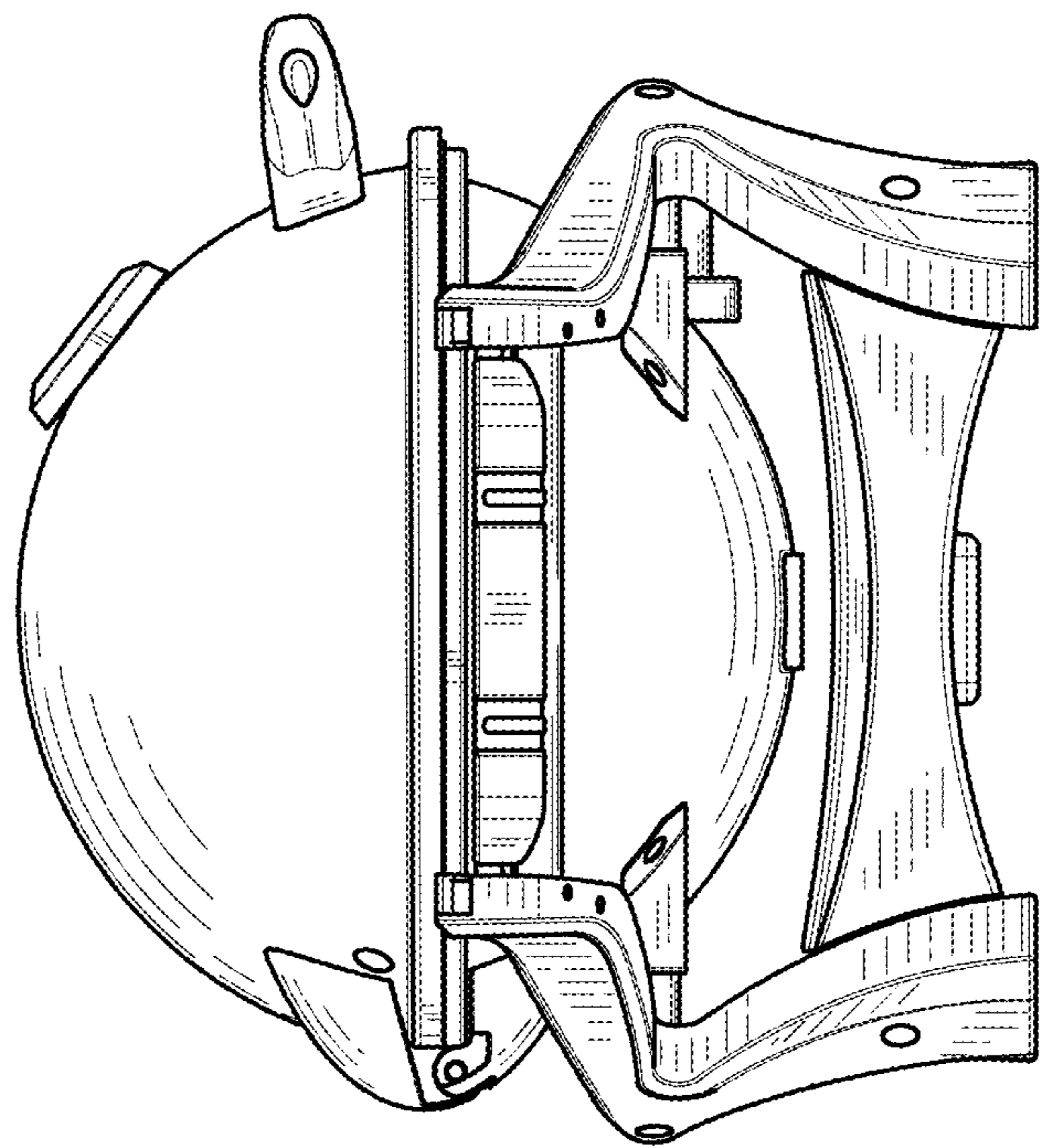


FIG.4

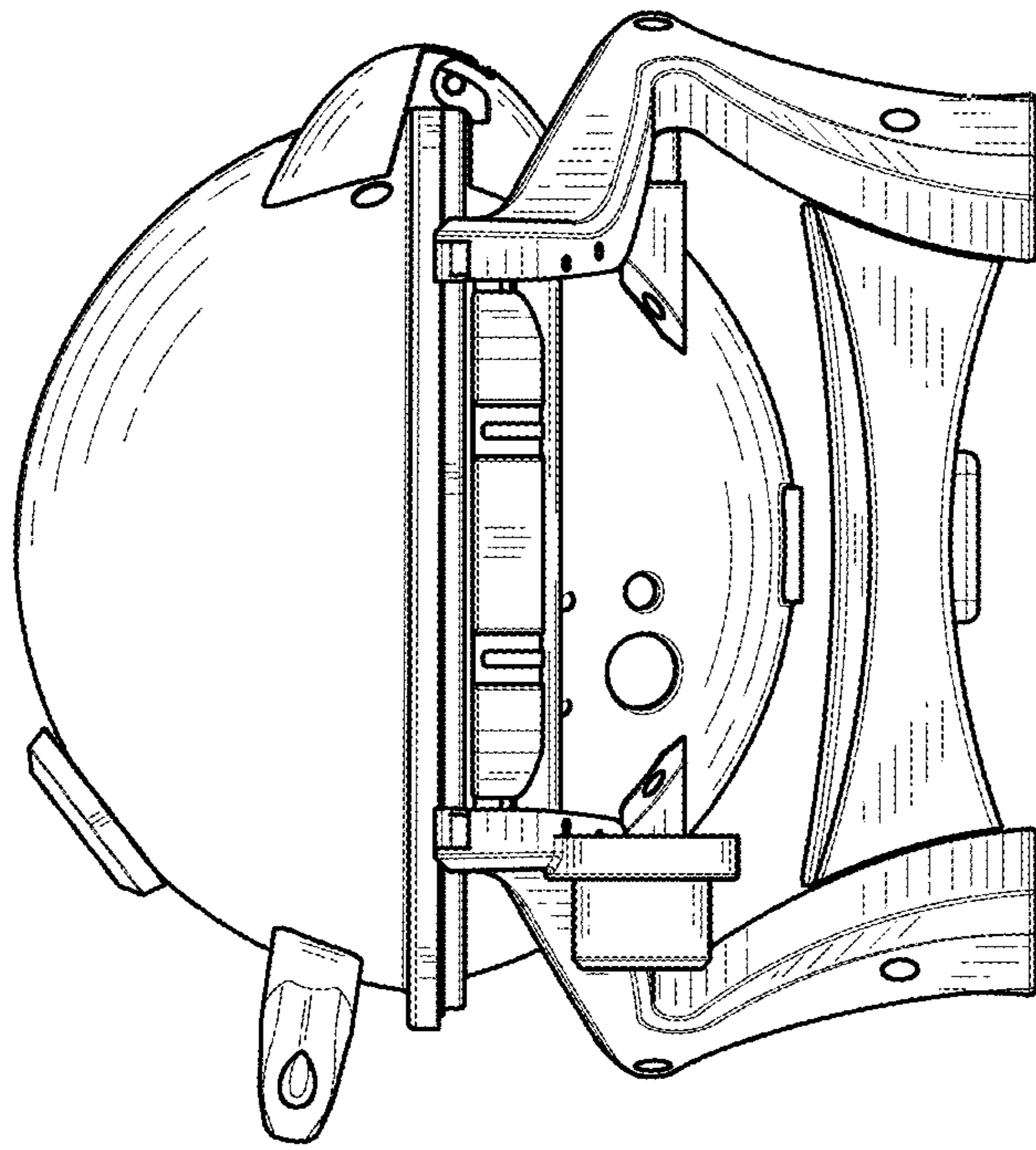


FIG.5

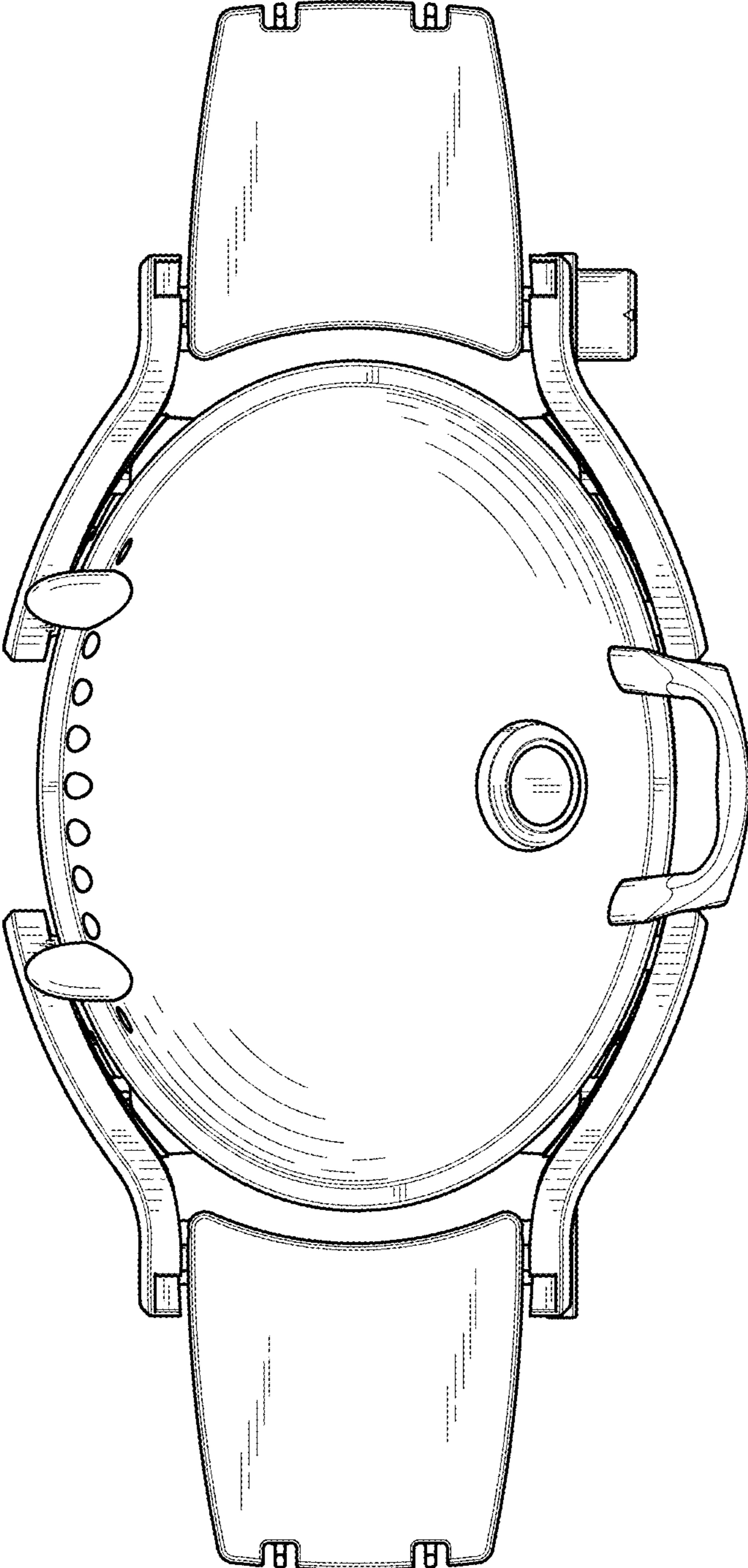


FIG.6

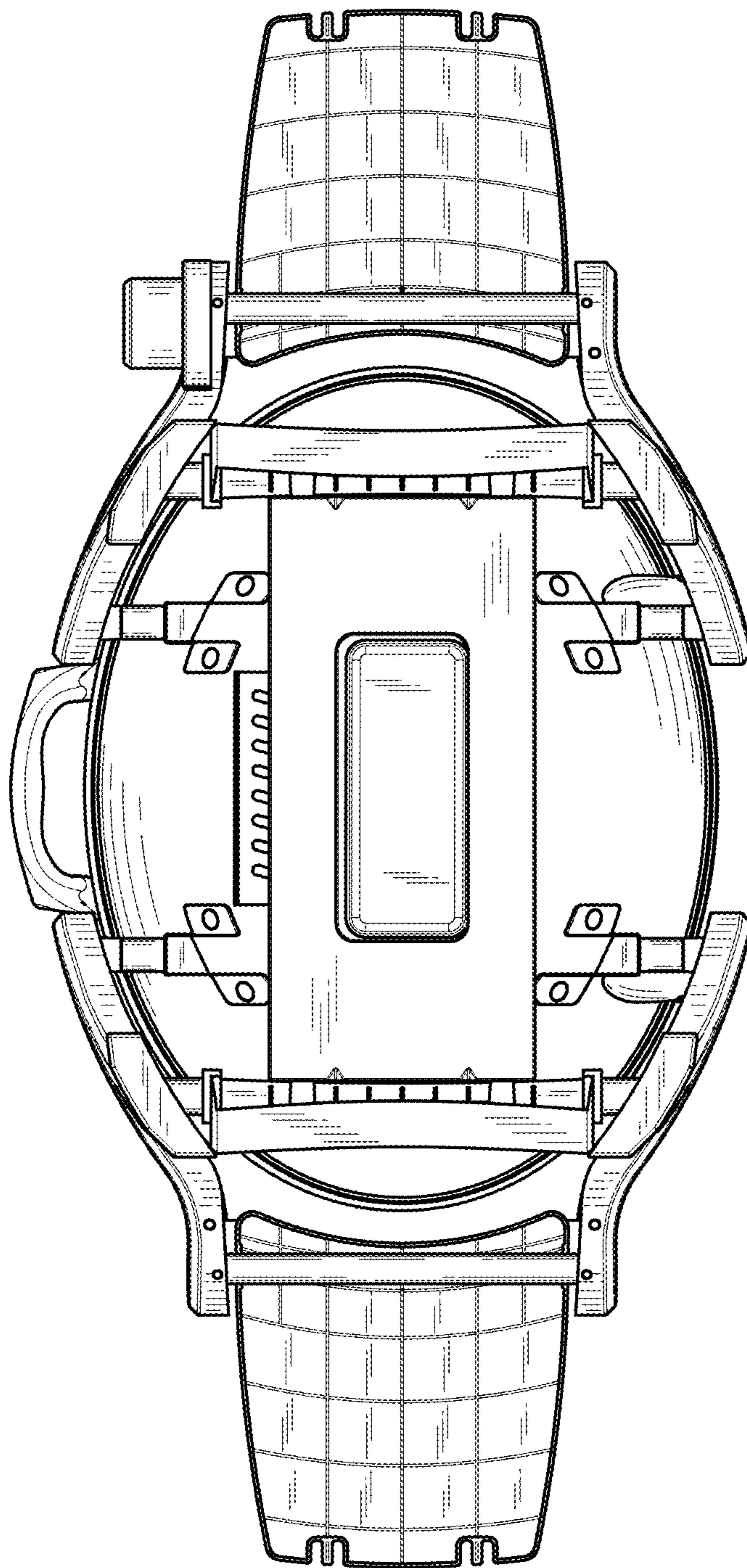


FIG.7