



US00D742680S

(12) **United States Design Patent**
Burrows

(10) **Patent No.:** **US D742,680 S**

(45) **Date of Patent:** **** Nov. 10, 2015**

(54) **COFFEE BREWER**

(71) Applicant: **Remington Designs, LLC**, Valencia, CA (US)

(72) Inventor: **Bruce D. Burrows**, Valencia, CA (US)

(**) Term: **14 Years**

(21) Appl. No.: **29/494,352**

(22) Filed: **Jun. 19, 2014**

(51) **LOC (10) Cl.** **07-01**

(52) **U.S. Cl.**

USPC **D7/309**; D7/311

(58) **Field of Classification Search**

USPC D7/306-311, 305, 300, 313, 399, 398,
D7/397; 99/279, 284, 290, 280, 299, 307,
99/305, 295, 308, 309, 323.1, 395, 300;
222/23, 129.1; 62/395; D20/1;
D23/207, 209

CPC A47J 31/44; A47J 31/00; B67D 1/0041;
B67D 3/00

See application file for complete search history.

(56) **References Cited**

U.S. PATENT DOCUMENTS

D229,158 S * 11/1973 Marotta D7/309
D250,316 S * 11/1978 Painter et al. D7/309
D257,475 S * 11/1980 von der Luehe D7/309
D267,325 S * 12/1982 Zimmerman et al. D7/309
D268,977 S 5/1983 Marotta

4,676,148 A * 6/1987 Foley 99/279
4,920,868 A * 5/1990 Gehrmann 99/279
D403,199 S * 12/1998 Micoley D7/309
D462,226 S * 9/2002 Williamson et al. D7/309
D481,902 S * 11/2003 O'Connor et al. D7/309
D496,213 S * 9/2004 Midden et al. D7/309
D497,278 S * 10/2004 Picozza et al. D7/309
D498,110 S * 11/2004 Picozza et al. D7/309
D530,560 S * 10/2006 Lin D7/309
D550,499 S * 9/2007 Argabrite et al. D7/309
D677,510 S * 3/2013 Tetreault D7/309
D721,531 S * 1/2015 Krasne D7/309
D730,675 S * 6/2015 Williams et al. D7/317

* cited by examiner

Primary Examiner — Marianne Pandozzi

(74) *Attorney, Agent, or Firm* — Koppel, Patrick, Heybl & Philpott

(57) **CLAIM**

The ornamental design for a coffee brewer, as shown.

DESCRIPTION

FIG. 1 is a perspective view showing the front, top and right sides of the coffee brewer;

FIG. 2 is a front elevation view of the coffee brewer;

FIG. 3 is a right side elevation view of the coffee brewer;

FIG. 4 is a left side elevation view of the coffee brewer;

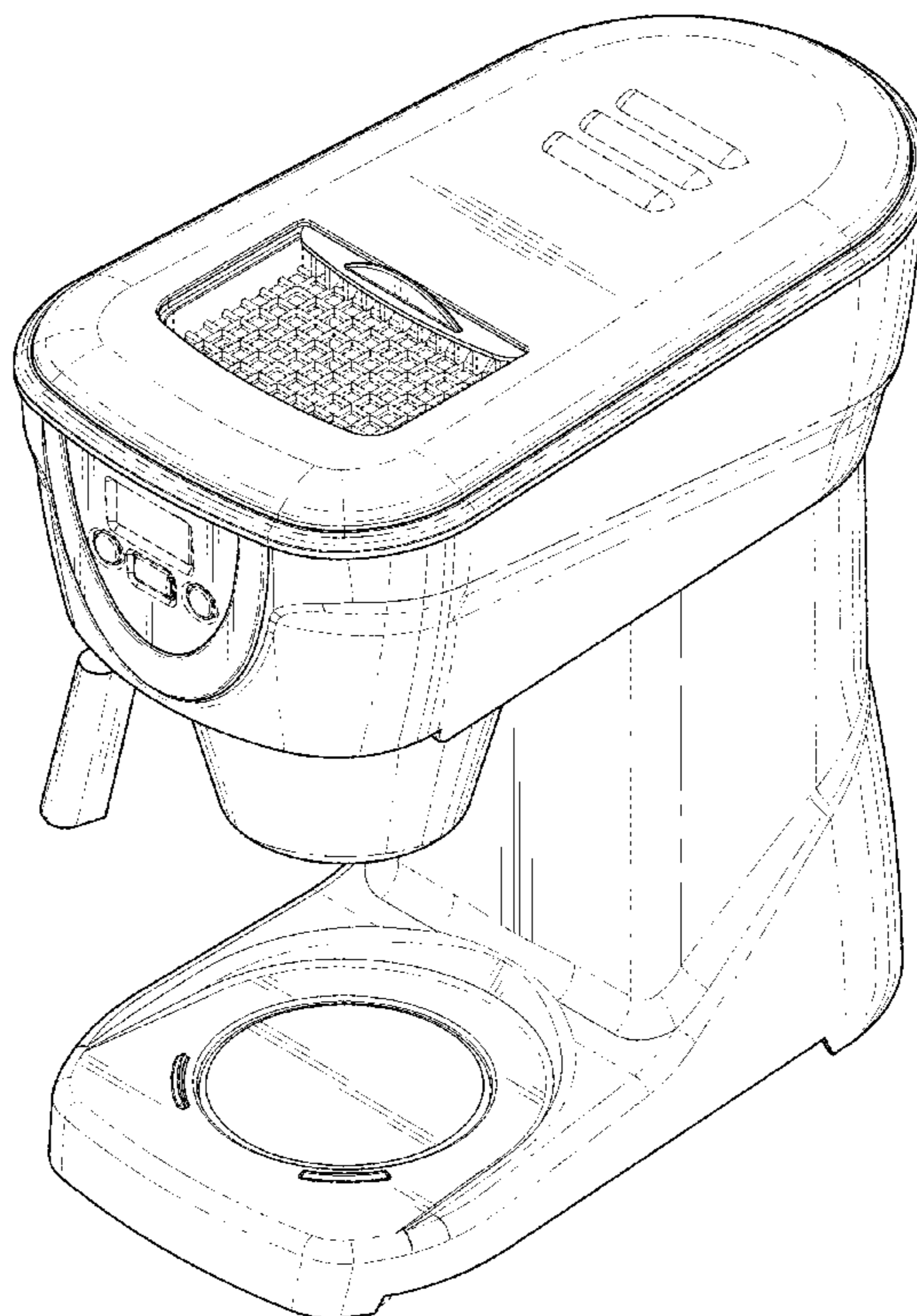
FIG. 5 is a rear elevation view of the coffee brewer;

FIG. 6 is a top plan view of the coffee brewer; and,

FIG. 7 is a bottom plan view of the coffee brewer.

The broken lines depictions in the drawings are for illustrative purposes only, and do not form a part of the claimed design.

1 Claim, 7 Drawing Sheets



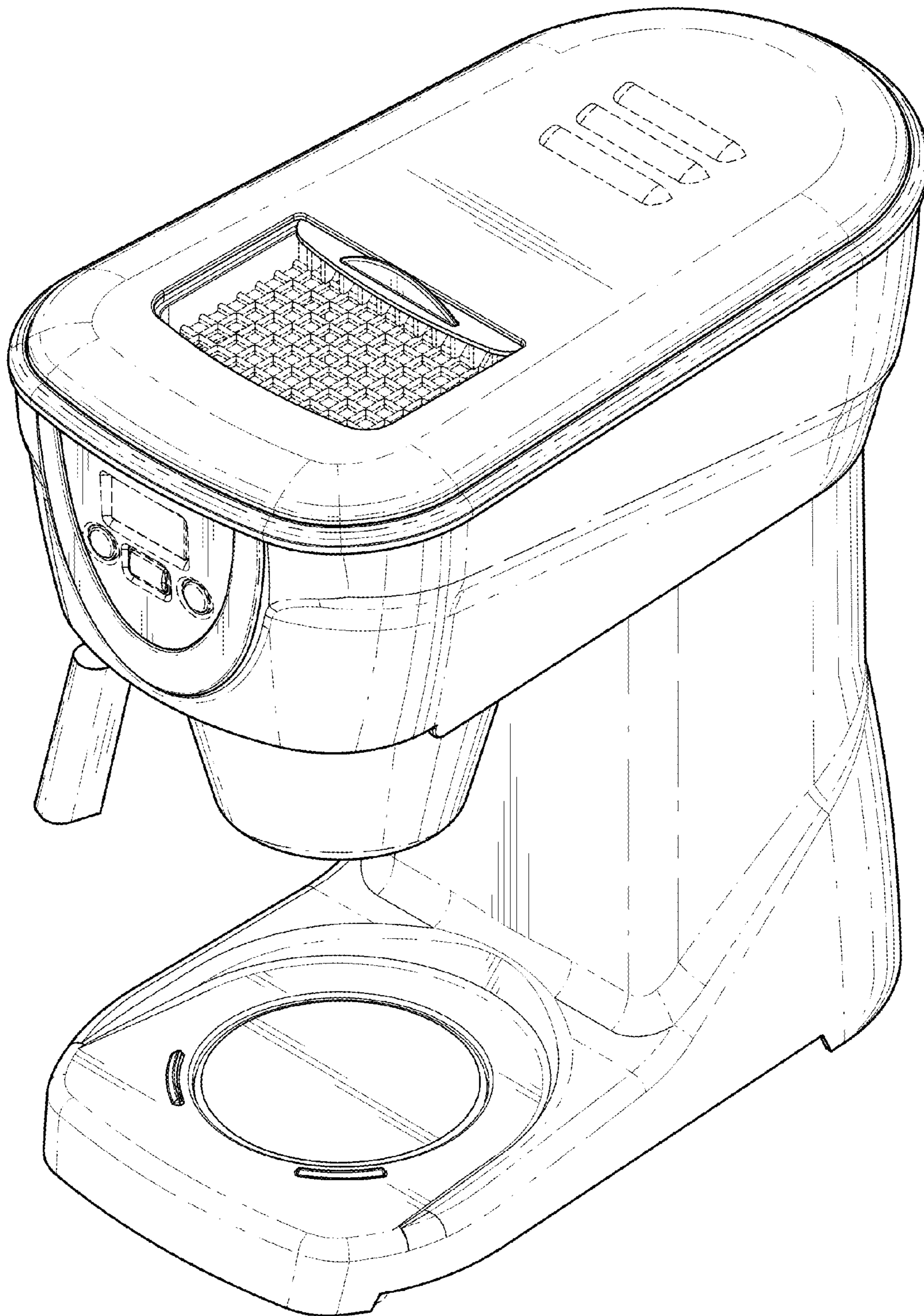


FIG. 1

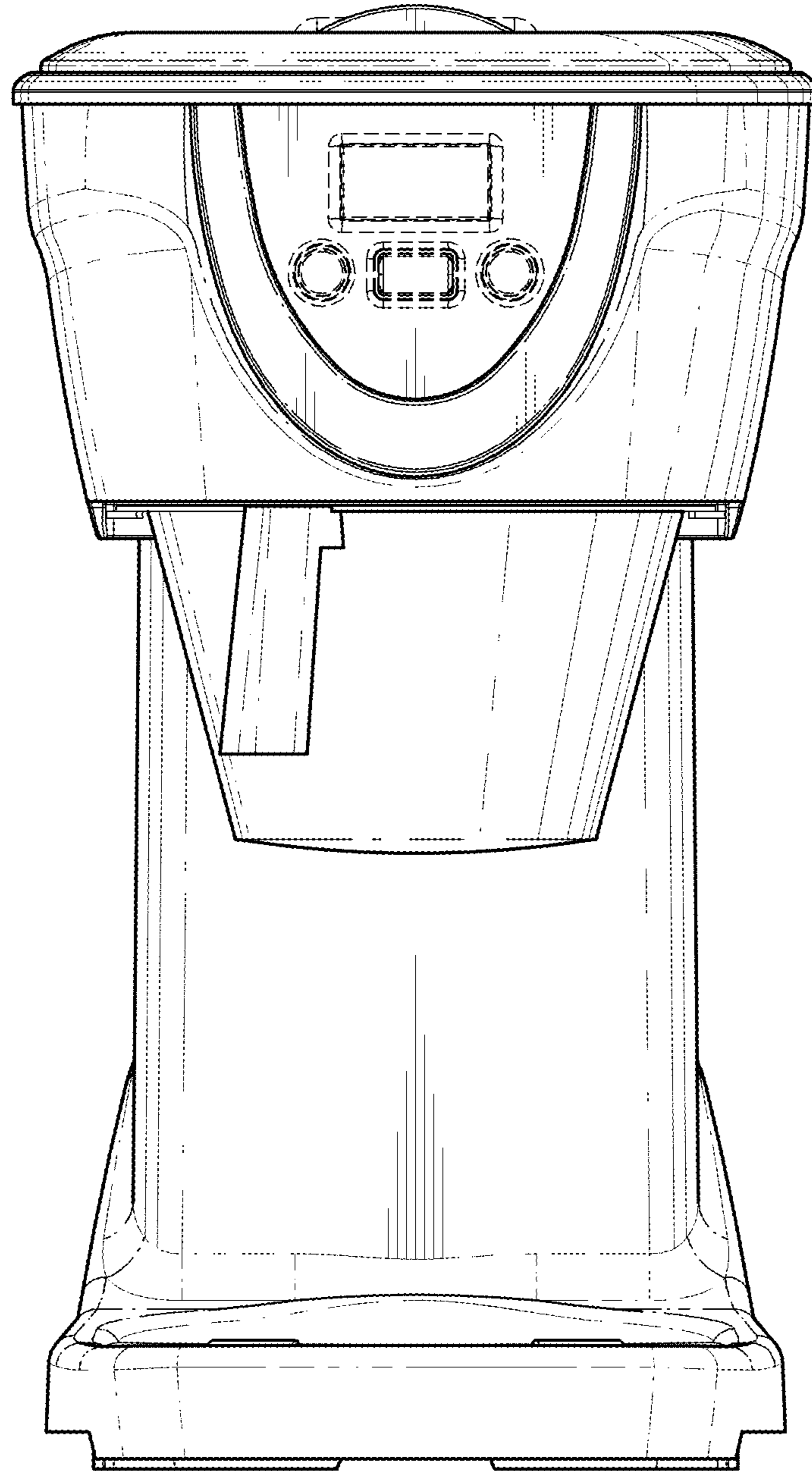


FIG. 2

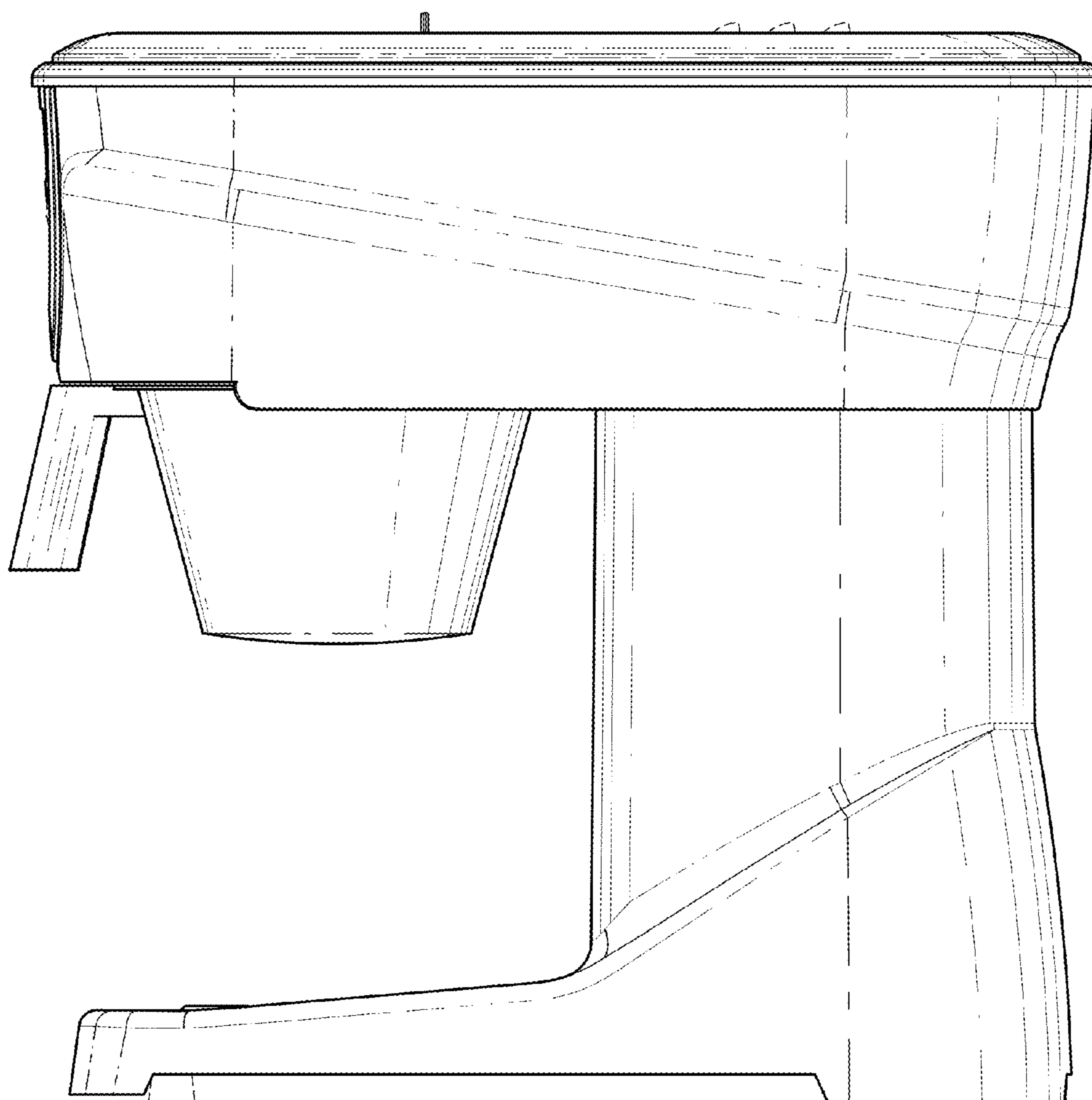


FIG. 3

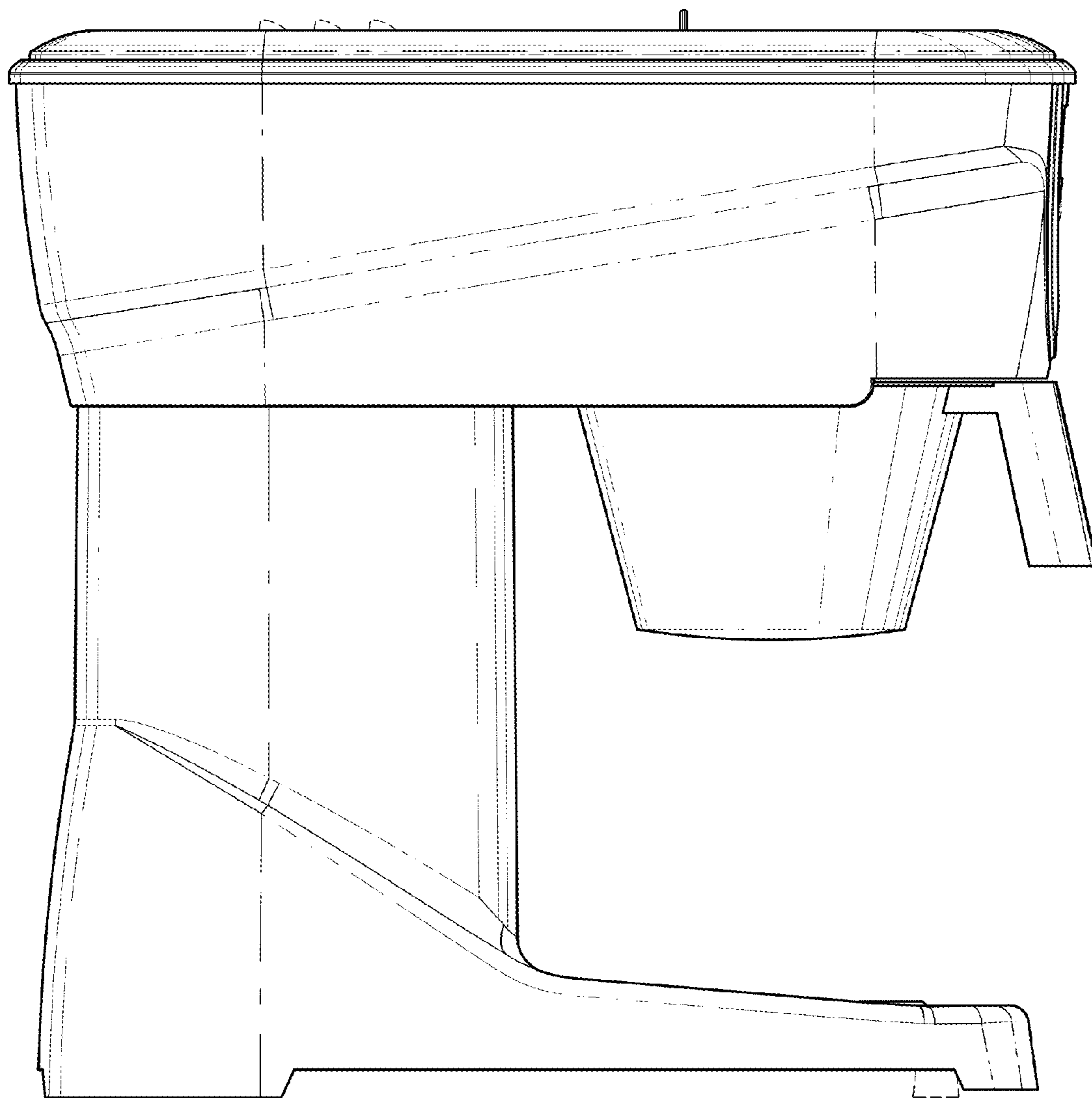


FIG. 4

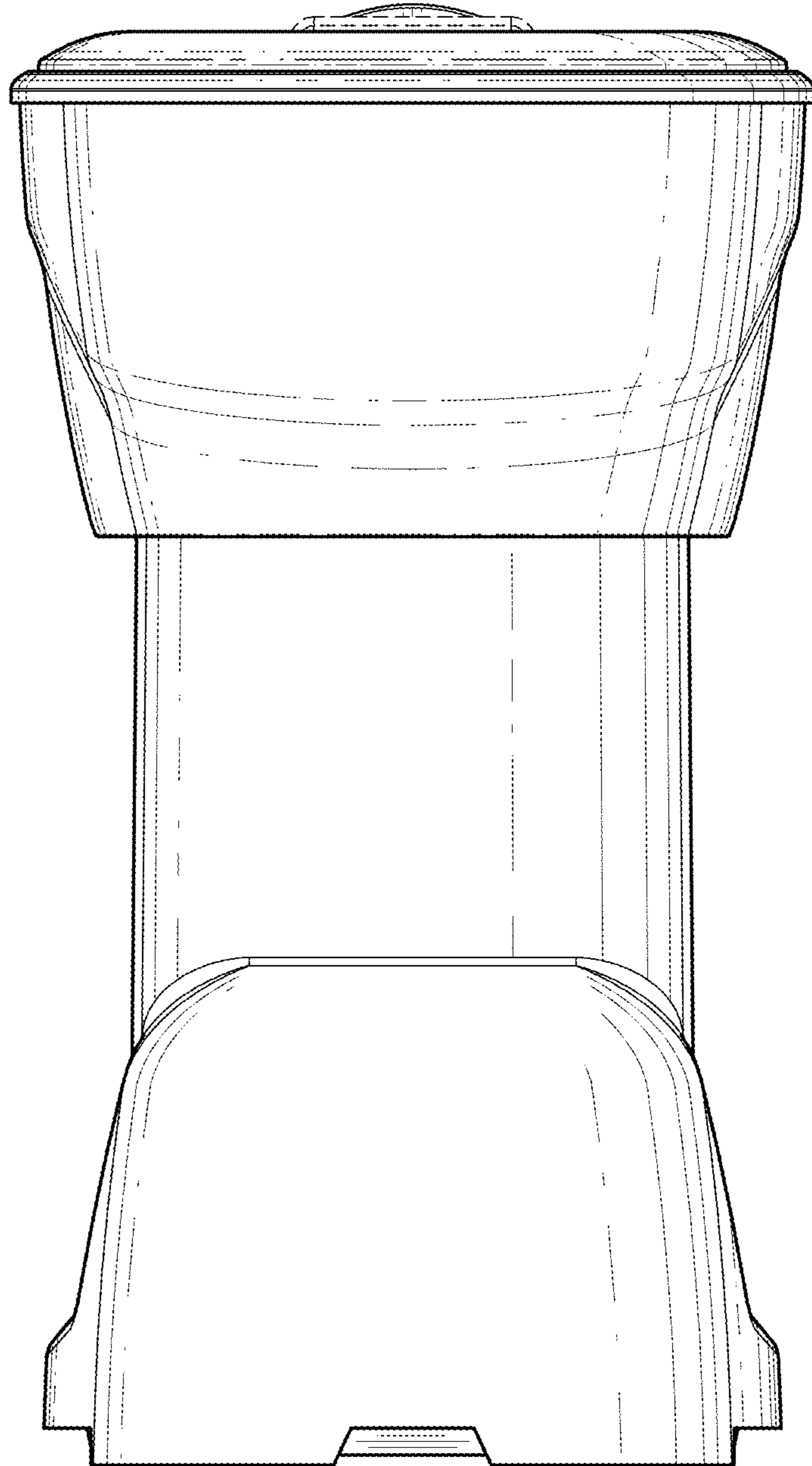


FIG. 5

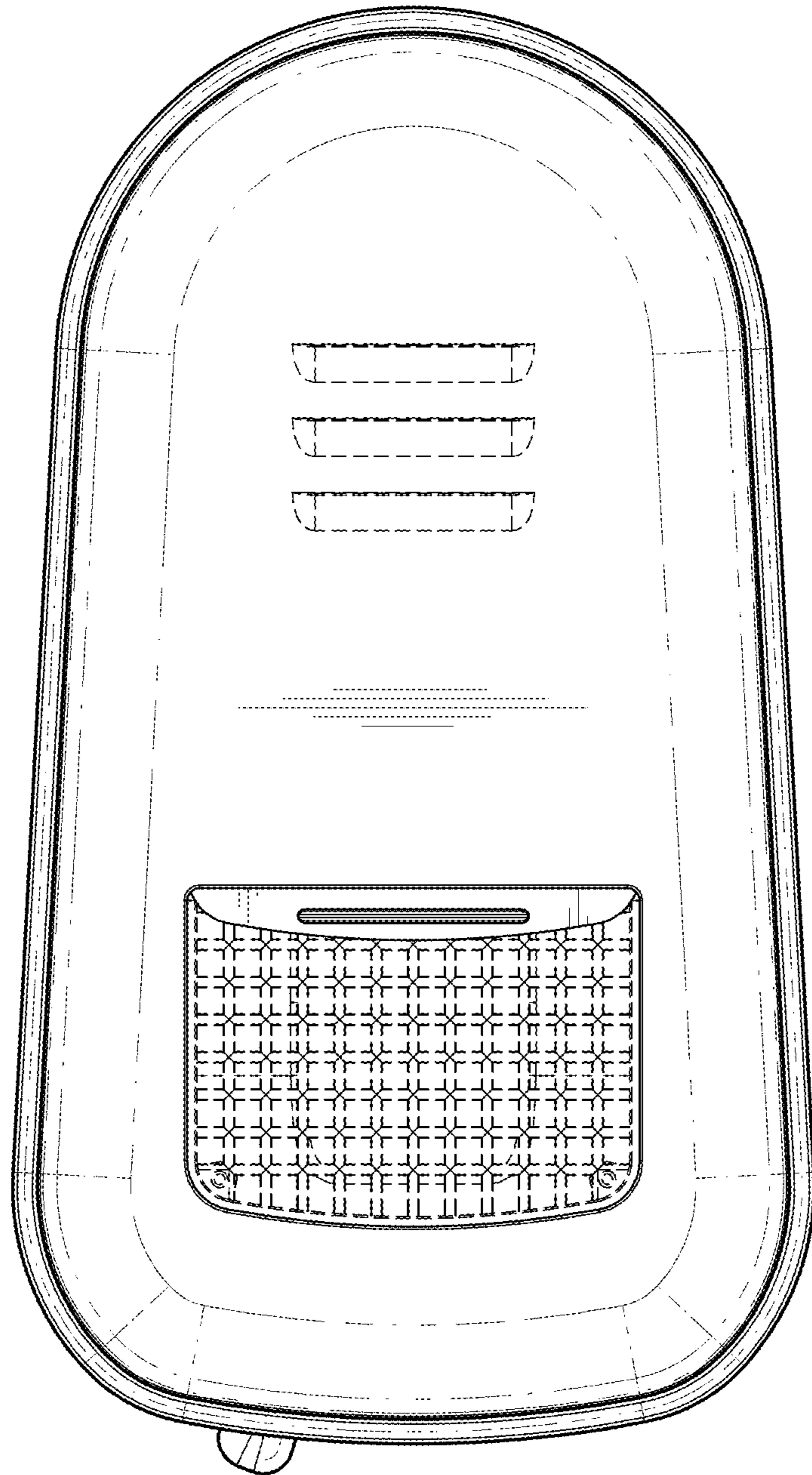


FIG. 6

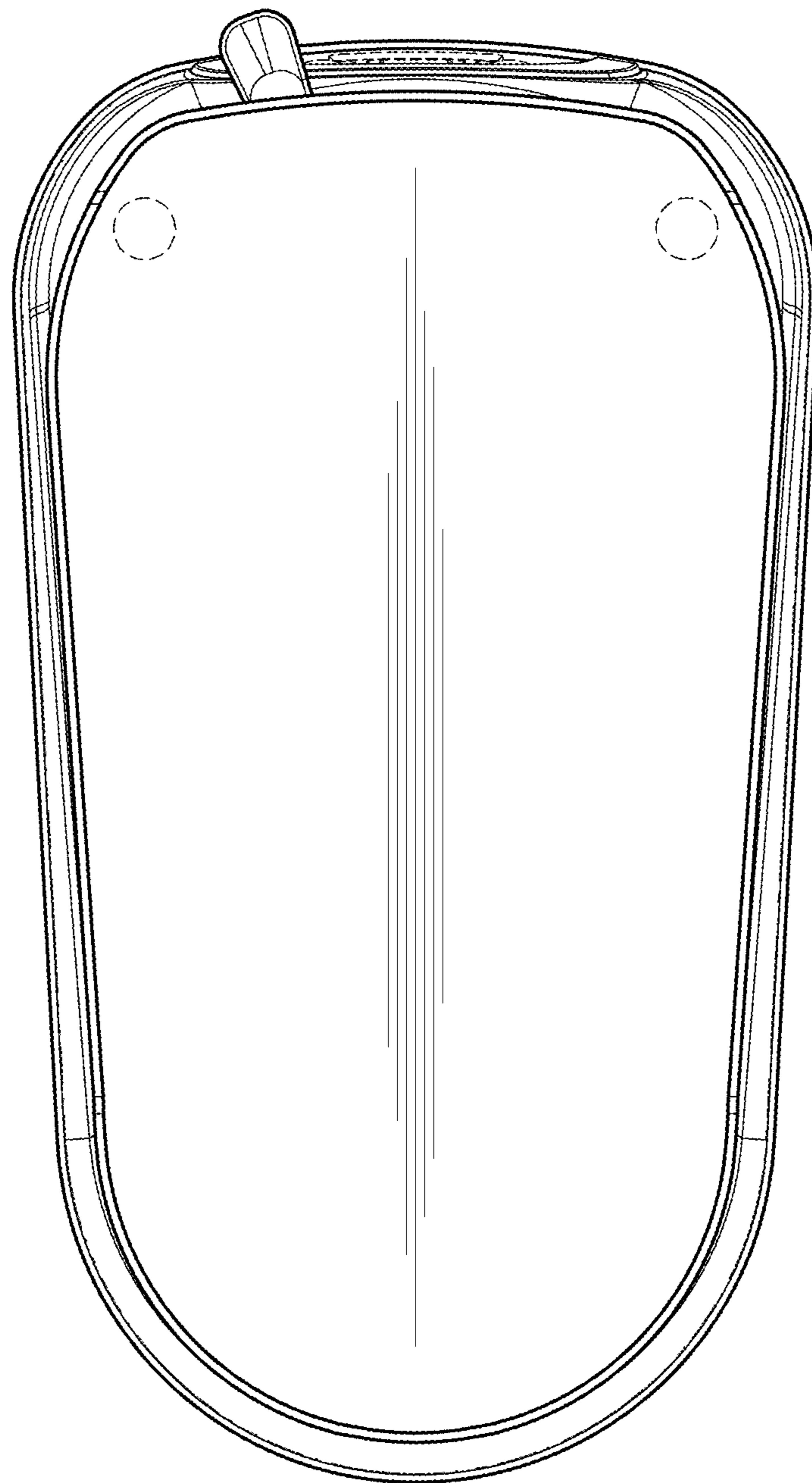


FIG. 7