



US00D742679S

(12) **United States Design Patent**  
**Bartoli et al.**

(10) **Patent No.:** **US D742,679 S**  
(45) **Date of Patent:** **\*\* Nov. 10, 2015**

(54) **COFFEE MACHINE**

(71) Applicant: **Sarong Societa' per Azioni**, Reggio Emilia (IT)

(72) Inventors: **Andrea Bartoli**, Reggio Emilia (IT);  
**Davide Capitini**, Reggio Emilia (IT);  
**Alessandro Grillenzoni**, Campogalliano (IT)

(73) Assignee: **Sarong Societa' per Azioni** (IT)

(\*\*) Term: **14 Years**

(21) Appl. No.: **29/488,268**

(22) Filed: **Apr. 17, 2014**

(30) **Foreign Application Priority Data**

Oct. 17, 1920 (EM) ..... 002328690-0001  
Oct. 17, 1920 (EM) ..... 002328690-0002  
Oct. 17, 1920 (EM) ..... 002328690-0003

(51) **LOC (10) Cl.** ..... **07-01**

(52) **U.S. Cl.**  
USPC ..... **D7/309; D7/311**

(58) **Field of Classification Search**  
USPC ..... D7/306-311, 305, 300, 313; 99/279,  
99/284, 290, 280, 299, 307, 285, 305,  
99/323.1; 222/23, 129.1; 62/395; D20/1  
CPC ..... A47J 31/44; A47J 31/00; B67D 1/0041;  
B67D 3/00  
See application file for complete search history.

(56) **References Cited**

**U.S. PATENT DOCUMENTS**

D207,526 S \* 4/1967 Martin ..... D7/311  
D218,191 S \* 7/1970 Tevolitz ..... D7/309

3,592,125 A \* 7/1971 Tolmie et al. .... 99/307  
D240,386 S \* 7/1976 Stuetzer ..... D7/309  
4,721,034 A \* 1/1988 Shimomura ..... 99/280  
D300,106 S \* 3/1989 Paulin ..... D7/309  
4,852,474 A \* 8/1989 Mahlich et al. .... 99/293  
D379,049 S \* 5/1997 Amiel ..... D7/305  
D414,647 S \* 10/1999 Driscoll et al. .... D7/309  
D423,862 S \* 5/2000 Mravlja et al. .... D7/306  
D489,214 S \* 5/2004 Noda et al. .... D7/309  
D507,449 S \* 7/2005 Burton et al. .... D7/309  
7,089,849 B2 \* 8/2006 Chen et al. .... 99/290  
D552,402 S \* 10/2007 Schwamkrug ..... D7/309  
D560,950 S \* 2/2008 Schwamkrug ..... D7/309  
7,565,860 B1 \* 7/2009 Liu ..... 99/291  
D600,967 S \* 9/2009 Cahen ..... D7/309  
D610,857 S \* 3/2010 Pateman et al. .... D7/306  
D718,972 S \* 12/2014 Jorgensen ..... D7/309

\* cited by examiner

*Primary Examiner* — Marianne Pandozzi

(74) *Attorney, Agent, or Firm* — Laubscher, Spendlove & Laubscher, P.C.

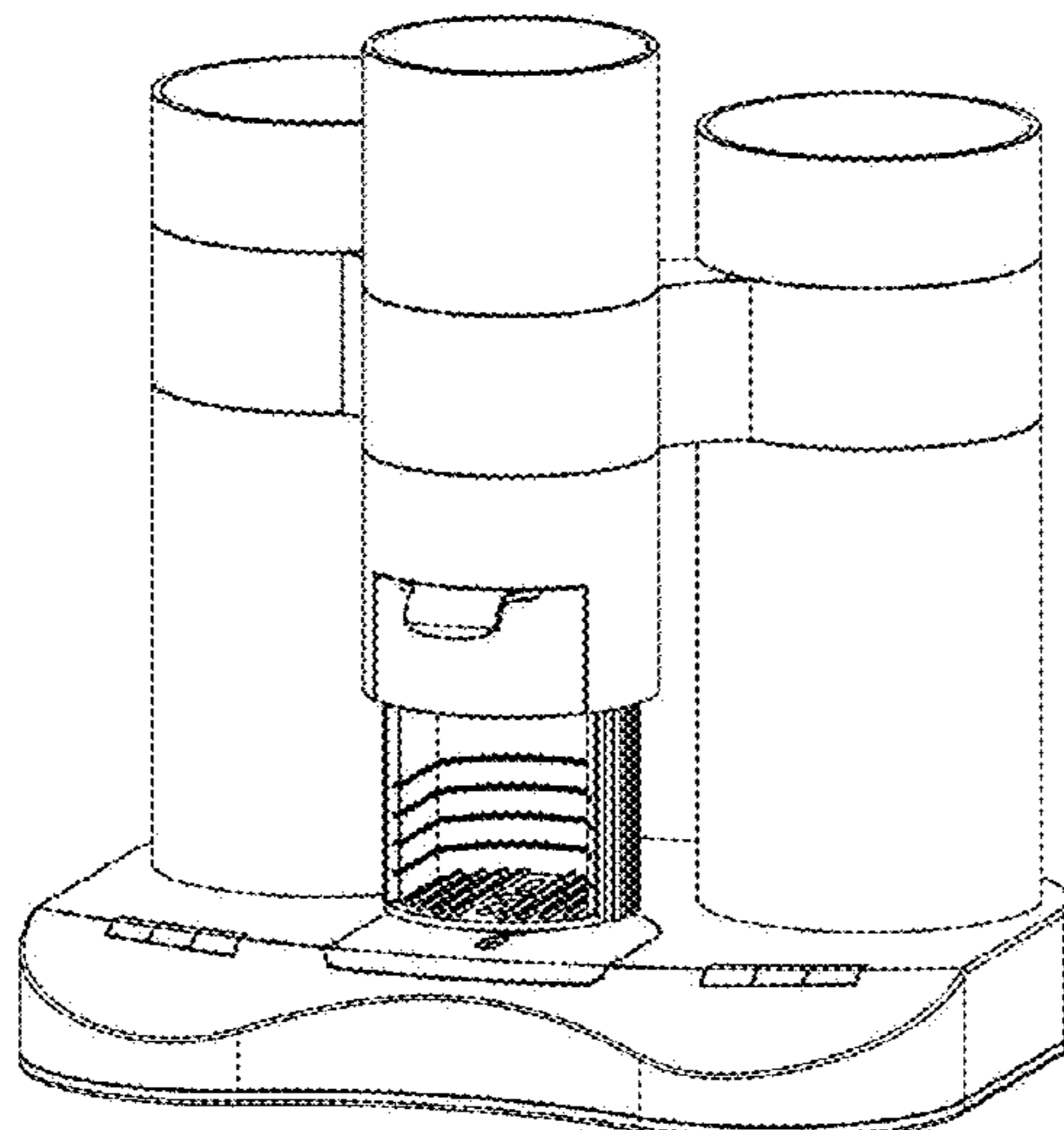
(57) **CLAIM**

The ornamental design for a coffee machine, as described and shown.

**DESCRIPTION**

FIG. 1 is a front perspective view of a coffee machine showing our new design;  
FIG. 2 is a rear perspective view thereof;  
FIG. 3 is a front elevational view thereof;  
FIG. 4 is a rear elevational view thereof;  
FIG. 5 is a top plan view thereof;  
FIG. 6 is a bottom plan view thereof;  
FIG. 7 is a left side elevational view thereof; and,  
FIG. 8 is a left side elevational view thereof.

**1 Claim, 4 Drawing Sheets**



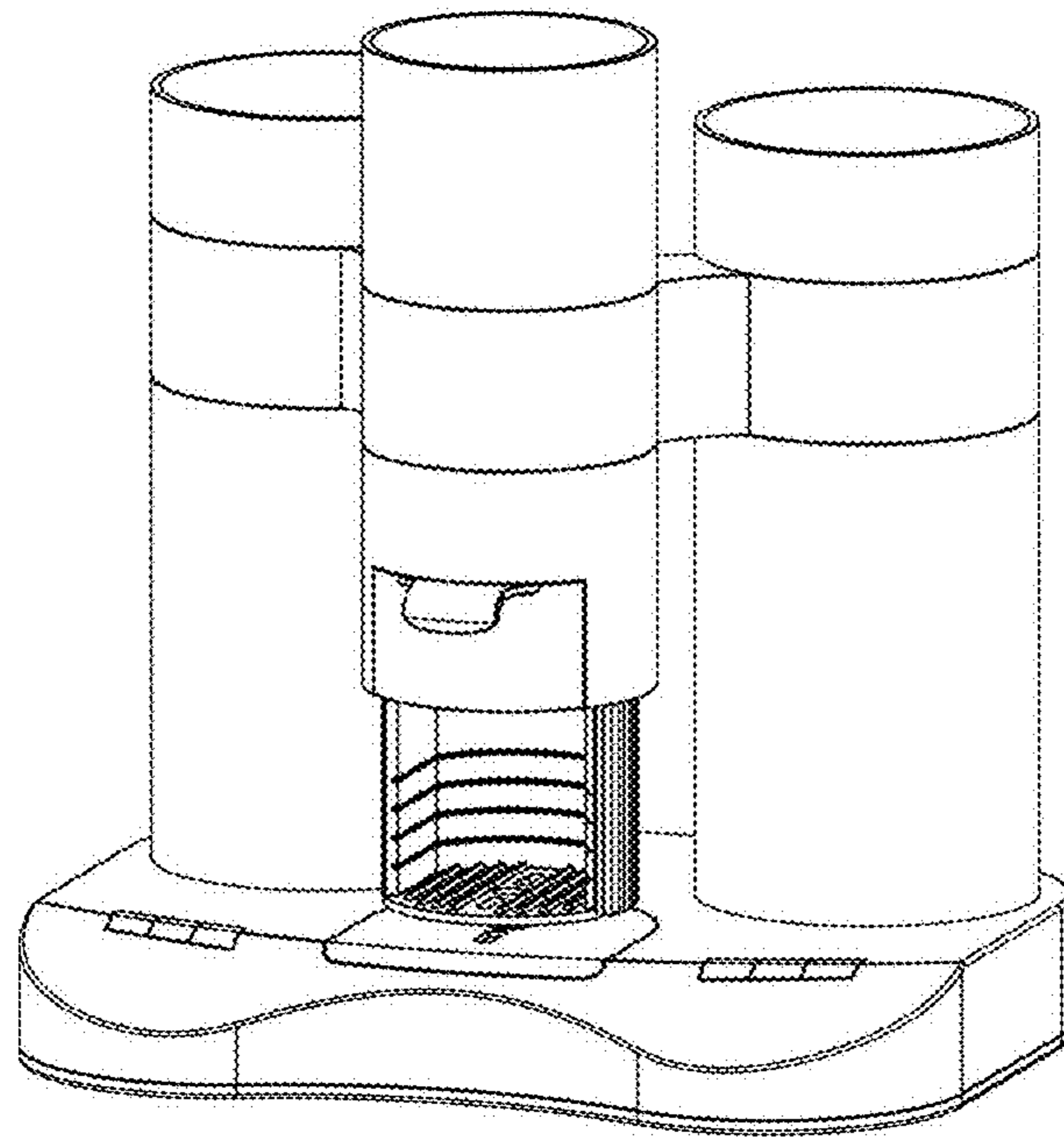


FIG. 1

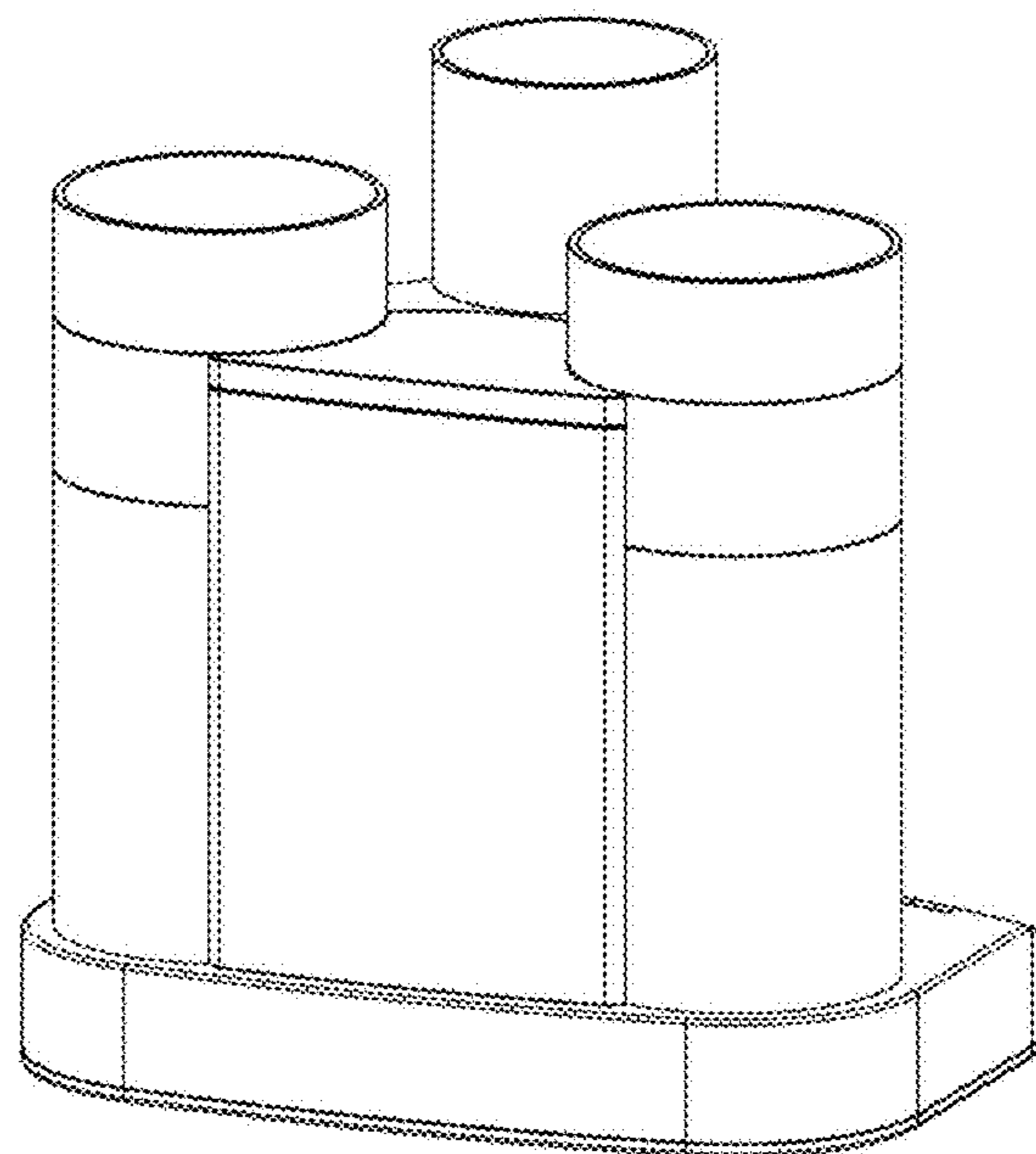


FIG. 2

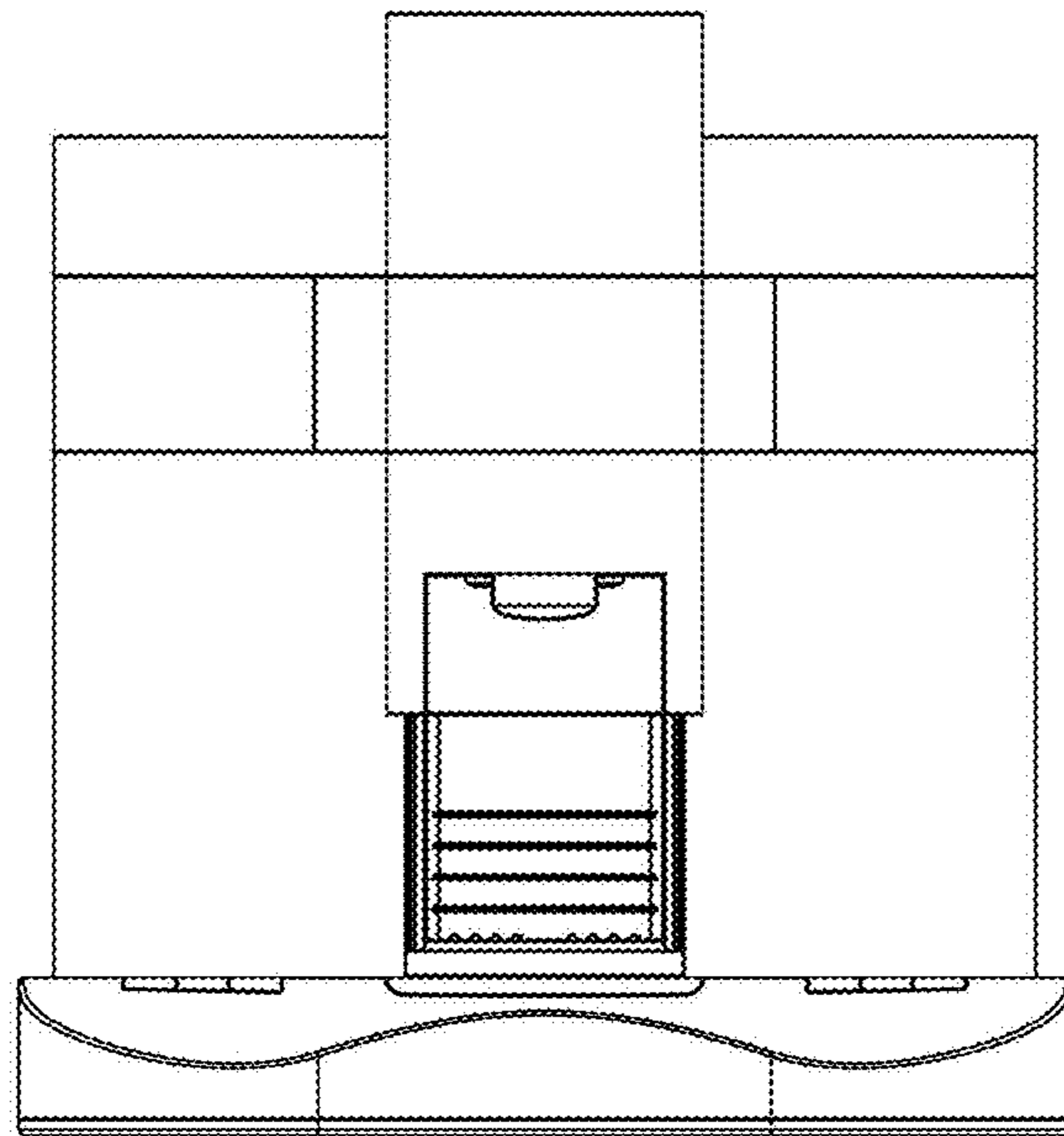


FIG. 3

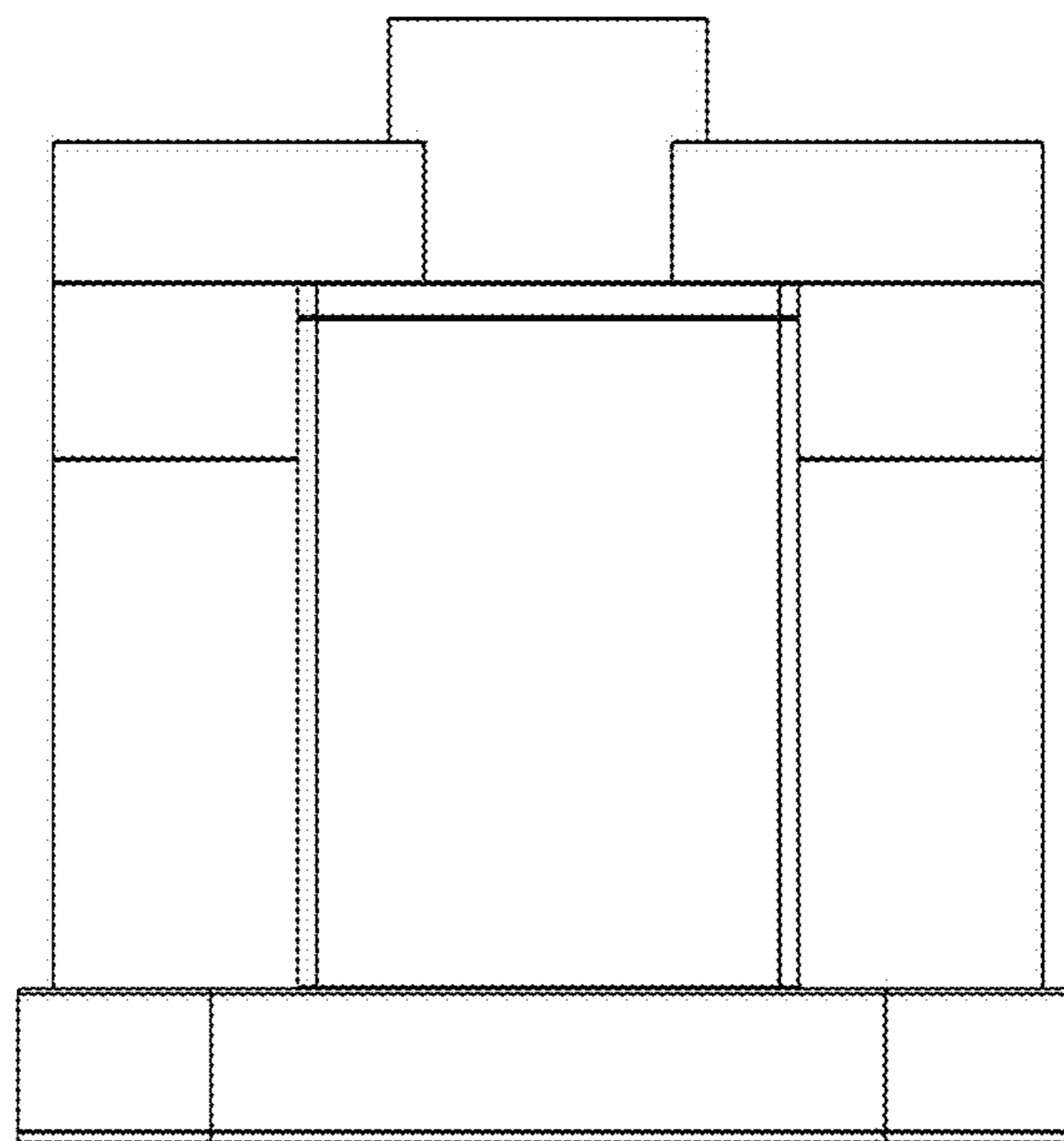


FIG. 4

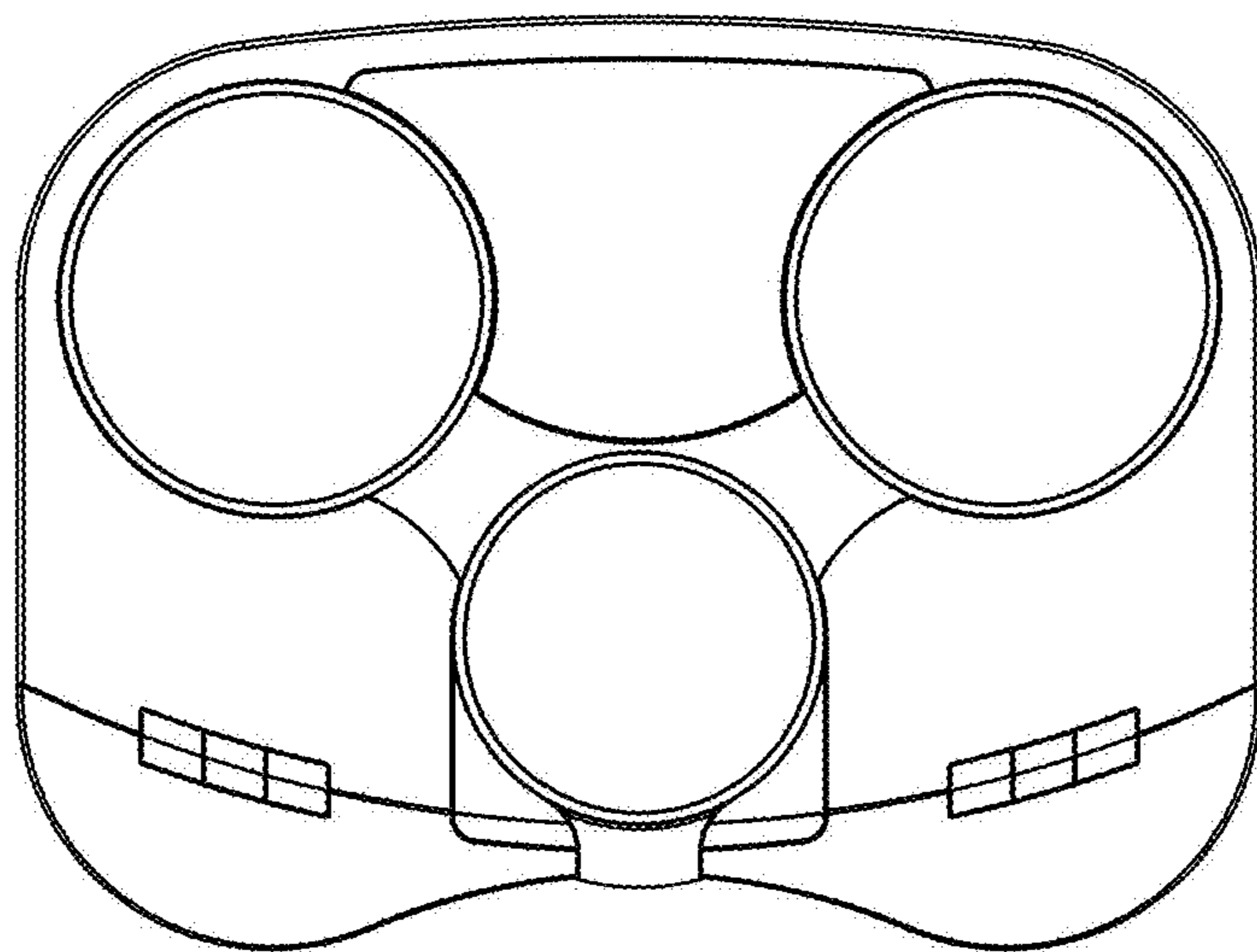


FIG. 5

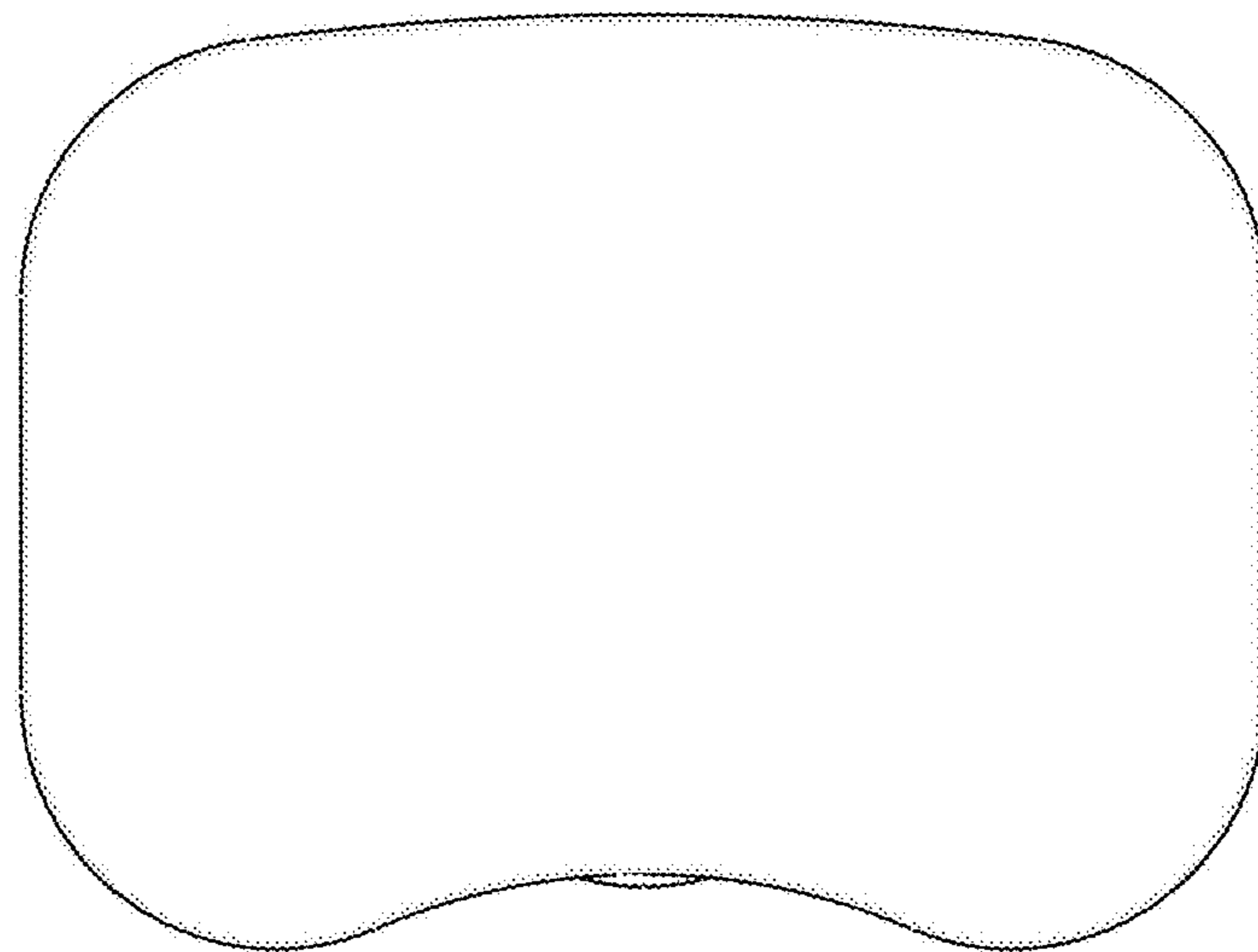


FIG. 6

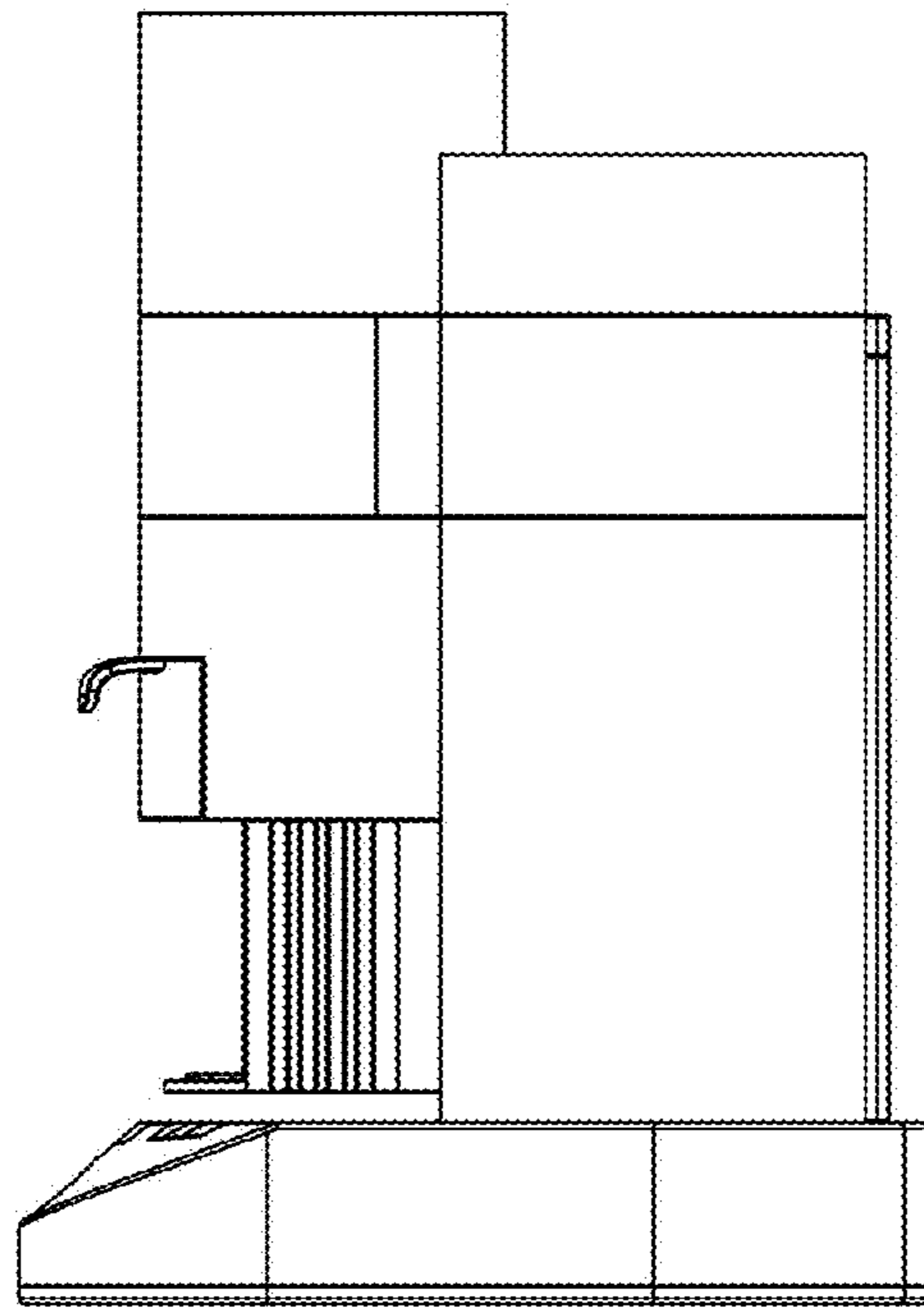


FIG. 7

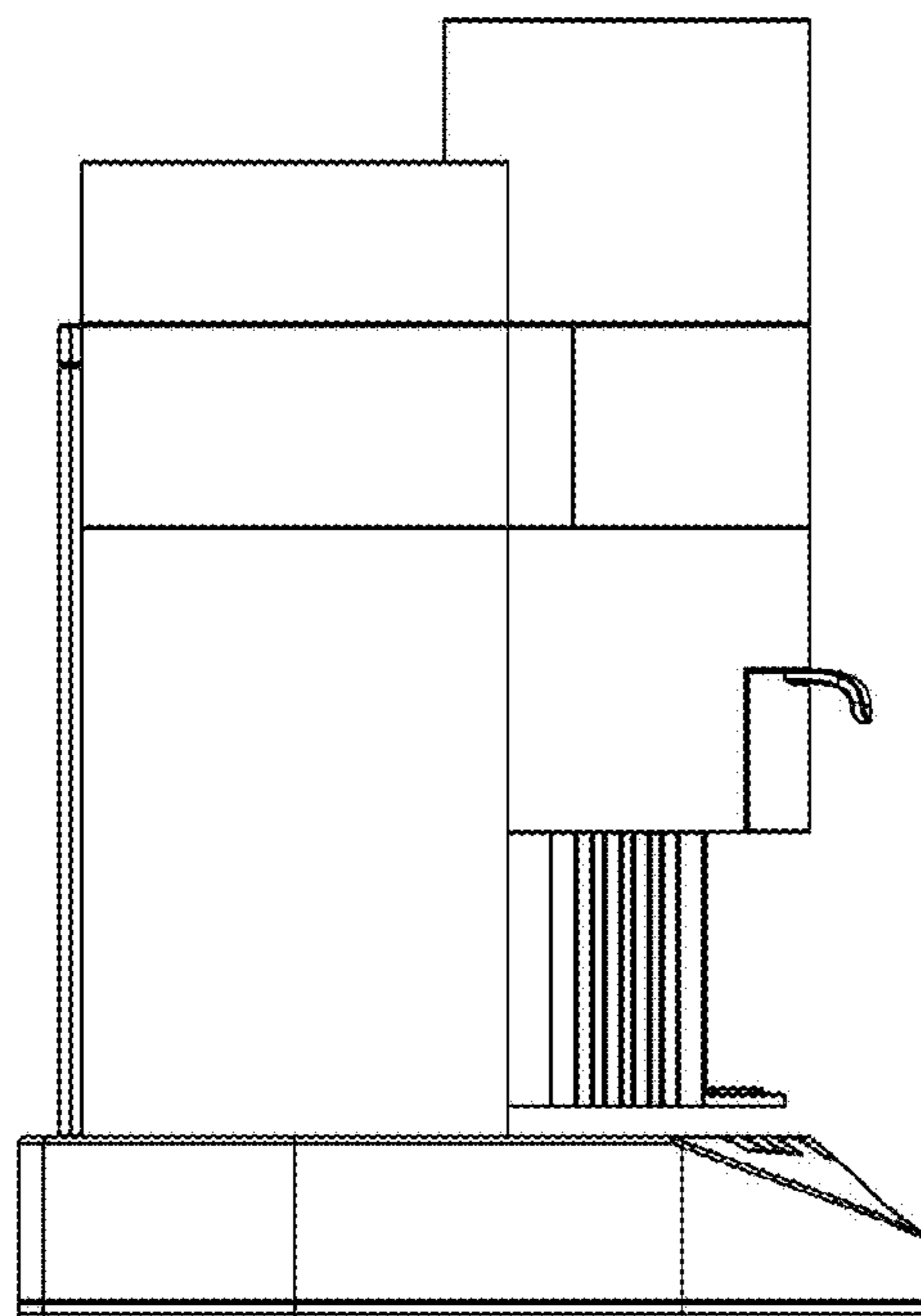


FIG. 8



UNITED STATES PATENT AND TRADEMARK OFFICE  
**CERTIFICATE OF CORRECTION**

PATENT NO. : D742,679 S  
APPLICATION NO. : 29/488268  
DATED : November 10, 2015  
INVENTOR(S) : Bartoli et al.

Page 1 of 1

It is certified that error appears in the above-identified patent and that said Letters Patent is hereby corrected as shown below:

Title Page, should read

(30) Foreign Application Priority Data  
Oct. 17, 2013 (EM).....002328690-0001  
Oct. 17, 2013 (EM).....002328690-0002  
Oct. 17, 2013 (EM).....002328690-0003

Signed and Sealed this  
Twenty-fourth Day of May, 2016



Michelle K. Lee  
*Director of the United States Patent and Trademark Office*