



US00D742677S

(12) **United States Design Patent**
Smith et al.

(10) **Patent No.:** **US D742,677 S**

(45) **Date of Patent:** **** Nov. 10, 2015**

(54) **CHAIR**

(71) Applicant: **Steelcase Inc.**, Grand Rapids, MI (US)

(72) Inventors: **Bruce M. Smith**, East Grand Rapids, MI (US); **Glen Oliver Löw**, Hamburg (DE); **James N. Ludwig**, East Grand Rapids, MI (US); **Robert J. Battey**, Middleville, MI (US); **Gordon J. Peterson**, Rockford, MI (US); **Richard N. Roslund, Jr.**, Jenison, MI (US); **Russell T. Holdredge**, Alto, MI (US); **Todd D. Krupiczewicz**, Alto, MI (US); **Nathan R. Brock**, Alto, MI (US)

(73) Assignee: **Steelcase Inc.**, Grand Rapids, MI (US)

(**) Term: **14 Years**

(21) Appl. No.: **29/518,046**

(22) Filed: **Feb. 19, 2015**

Related U.S. Application Data

(63) Continuation of application No. 14/029,141, filed on Sep. 17, 2013, now Pat. No. 9,027,998, which is a continuation of application No. 29/432,765, filed on Sep. 20, 2012, now Pat. No. Des. 697,726.

(51) **LOC (10) Cl.** **06-01**

(52) **U.S. Cl.**
USPC **D6/716**

(58) **Field of Classification Search**
USPC D6/334-336, 364, 365, 366, 367, 374,
D6/376, 379, 716, 716.1, 716.2, 716.3,
D6/716.4
CPC A47C 7/46; A47C 7/54; A47C 7/022;
A47C 7/40; B60N 2/66; B60N 2/663
See application file for complete search history.

(56) **References Cited**

U.S. PATENT DOCUMENTS

309,750 A 12/1884 Van Campen
390,859 A 10/1888 Hiteshew
553,386 A 1/1896 Blair
1,286,945 A 12/1918 Coates
1,375,868 A 4/1921 Thompson
1,686,341 A 10/1928 Nathanson
2,063,732 A 12/1936 Gailey

(Continued)

FOREIGN PATENT DOCUMENTS

AR 015467 5/2001
AR 015468 5/2001

(Continued)

OTHER PUBLICATIONS

Haworth X99 Chair Brochure.

(Continued)

Primary Examiner — Mimoso De

(74) *Attorney, Agent, or Firm* — Price Heneveld LLP

(57) **CLAIM**

We claim the ornamental design for the chair, as shows and described.

DESCRIPTION

FIG. 1 is a perspective view of a chair embodying the present invention;

FIG. 2 is a front view of the chair;

FIG. 3 is a first side view of the chair;

FIG. 4 is a second side view of the chair;

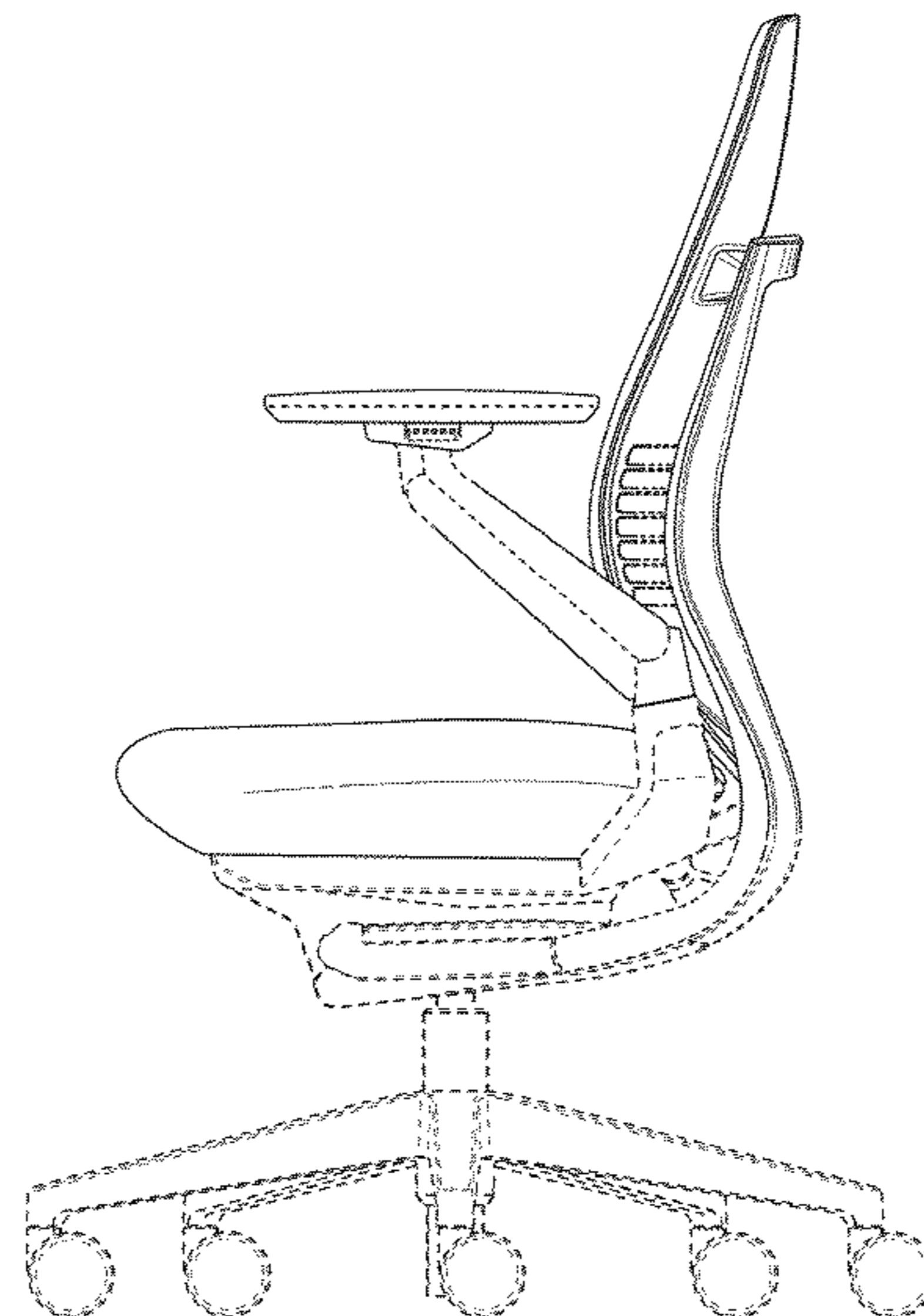
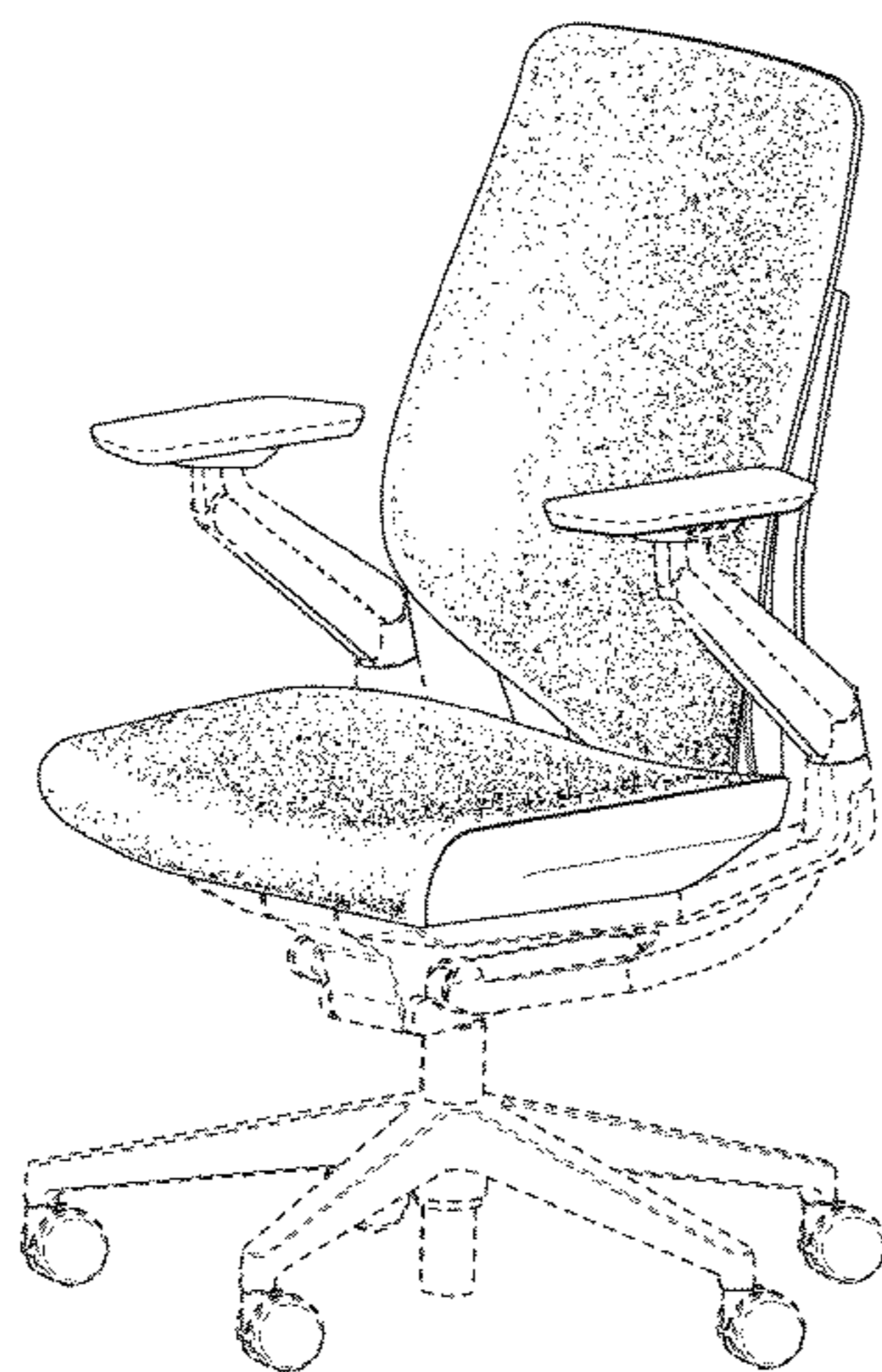
FIG. 5 is a rear view of the chair;

FIG. 6 is a top view of the chair; and,

FIG. 7 is a bottom view of the chair.

The broken lines shown in the drawings are for illustrative purposes only and form no part of the claimed design.

1 Claim, 7 Drawing Sheets



(56)

References Cited

U.S. PATENT DOCUMENTS

2,186,301 A	1/1940	La More	4,744,600 A	5/1988	Inoue
2,240,802 A	5/1941	Duncan et al.	4,783,036 A	11/1988	Vossoughi
2,310,366 A	2/1943	Harman	4,787,674 A	11/1988	Inaba et al.
2,341,124 A	2/1944	Sheldrick	4,789,377 A	12/1988	Hoskins
2,398,072 A	4/1946	Boerner	4,796,952 A	1/1989	Piretti
2,400,705 A	5/1946	Morey et al.	4,810,033 A	3/1989	Kemmann
2,456,797 A	12/1948	Sheldrick	4,826,123 A	5/1989	Hannah et al.
2,471,024 A	5/1949	Cramer	4,834,454 A	5/1989	Dicks
2,497,395 A	2/1950	Cramer	4,840,089 A	6/1989	Williamson
2,643,704 A	6/1953	Lauterbach	4,840,426 A	6/1989	Vogtherr et al.
2,679,285 A	5/1954	Johannes	4,842,333 A	6/1989	Meiller
2,679,286 A	5/1954	Luckhardt	4,844,387 A	7/1989	Sorgi et al.
2,796,918 A	6/1957	Wassilli	4,856,846 A	8/1989	Lohmeyer
2,847,062 A	8/1958	Henrikson et al.	4,865,385 A	9/1989	Suzuki
2,859,801 A	11/1958	Moore	4,886,316 A	12/1989	Suzuyama et al.
2,894,565 A	7/1959	Crane	4,966,411 A	10/1990	Katagiri et al.
2,985,226 A	5/1961	Ferguson et al.	4,979,778 A	12/1990	Shields
2,991,124 A	7/1961	Schwarz	4,988,145 A	1/1991	Engel
3,086,817 A	4/1963	Wilfert	5,003,849 A	4/1991	Lawrie
3,093,413 A	6/1963	Chancellor, Jr.	5,026,117 A	6/1991	Faiks et al.
3,116,093 A	12/1963	Bosack	5,029,940 A	7/1991	Golynsky et al.
3,139,305 A	6/1964	Mizelle	5,033,791 A	7/1991	Locher
3,261,607 A	7/1966	Horowitz et al.	5,044,693 A	9/1991	Yokota
3,288,529 A	11/1966	Koch	5,056,866 A	10/1991	Tobler
3,321,241 A	5/1967	Froelich	5,058,347 A	10/1991	Schuelke et al.
3,334,693 A	8/1967	Badcock	5,071,189 A	12/1991	Kratz
3,351,383 A	11/1967	Richardson	5,074,621 A	12/1991	McDonald
3,363,943 A	1/1968	Getz et al.	5,076,645 A	12/1991	Yokota
3,463,544 A	8/1969	Froelich	5,102,196 A	4/1992	Kaneda et al.
3,669,499 A	6/1972	Semplonius et al.	5,110,186 A	5/1992	Clark et al.
3,734,561 A	5/1973	Barecki et al.	5,152,582 A	10/1992	Magnuson
3,740,792 A	6/1973	Werner	5,160,184 A	11/1992	Faiks et al.
3,749,443 A	7/1973	Strien et al.	5,165,775 A	11/1992	Lisak et al.
3,858,936 A	1/1975	Gerken	5,193,880 A	3/1993	Keusch et al.
3,948,558 A	4/1976	Obermeier et al.	5,195,801 A	3/1993	Franck et al.
3,973,797 A	8/1976	Obermeier et al.	5,203,853 A	4/1993	Caruso
4,013,257 A	3/1977	Paquette	5,215,350 A	6/1993	Kato
4,020,717 A	5/1977	Johnson	5,217,276 A	6/1993	LaPointe et al.
4,073,538 A	2/1978	Hunter	5,224,758 A	7/1993	Takamatsu et al.
4,073,539 A	2/1978	Caruso	5,249,839 A	10/1993	Faiks et al.
4,123,105 A	10/1978	Frey et al.	5,251,958 A	10/1993	Roericht et al.
4,133,579 A	1/1979	Springfield	5,286,085 A	2/1994	Minami
4,143,910 A	3/1979	Geffers et al.	5,288,138 A	2/1994	Stulik et al.
4,162,807 A	7/1979	Yoshimura	5,308,145 A	5/1994	Koepke et al.
4,200,332 A	4/1980	Brauning	5,314,235 A	5/1994	Johnson
4,200,333 A	4/1980	Cremer et al.	5,318,345 A	6/1994	Olson
4,311,338 A	1/1982	Moorhouse	5,326,155 A	7/1994	Wild
4,331,360 A	5/1982	Roudybush et al.	5,328,237 A	7/1994	Yamaguchi et al.
4,367,895 A	1/1983	Pacitti et al.	5,333,368 A	8/1994	Kriener et al.
4,368,917 A	1/1983	Urai	5,338,099 A	8/1994	Ishi et al.
4,390,210 A	6/1983	Wisniewski et al.	5,366,274 A	11/1994	Roericht et al.
4,411,469 A	10/1983	Drabert et al.	5,375,912 A	12/1994	Stulik et al.
4,449,751 A	5/1984	Murphy et al.	5,385,388 A	1/1995	Faiks et al.
4,452,449 A	6/1984	Propst	D355,803 S	2/1995	Kemnitz
4,465,317 A	8/1984	Schwarz	5,388,889 A	2/1995	Golynsky
4,478,454 A	10/1984	Faiks	5,411,316 A	5/1995	Lovegrove et al.
4,493,505 A	1/1985	Yamawaki et al.	5,417,474 A	5/1995	Golynsky
4,496,190 A	1/1985	Barley	5,423,593 A	6/1995	Nagashima
4,502,728 A	3/1985	Sheldon et al.	5,433,509 A	7/1995	Hotary et al.
4,533,177 A	8/1985	Latone	5,439,267 A	8/1995	Peterson et al.
4,536,031 A	8/1985	Latone et al.	5,445,436 A	8/1995	Kemnitz
4,575,151 A	3/1986	Edstrom	5,487,591 A	1/1996	Knoblock
4,603,905 A	8/1986	Stucki	5,498,065 A	3/1996	Tosoni
4,627,663 A	12/1986	LaPointe	5,511,852 A	4/1996	Kusiak et al.
4,630,834 A	12/1986	Muller et al.	5,564,783 A	10/1996	Elzenbeck et al.
4,641,885 A	2/1987	Brauning	5,567,012 A	10/1996	Knoblock
4,652,050 A	3/1987	Stevens	5,569,090 A	10/1996	Hoskins et al.
4,671,569 A	6/1987	Kazaoka et al.	5,577,807 A	11/1996	Hodge et al.
4,682,814 A	7/1987	Hansen	5,582,459 A	12/1996	Hama et al.
4,709,642 A	12/1987	Briosi	5,586,809 A	12/1996	Szmadzinski
4,709,963 A	12/1987	Uecker et al.	5,588,703 A	12/1996	Itou
4,711,491 A	12/1987	Ginat	5,599,067 A	2/1997	Schuelke et al.
4,725,095 A	2/1988	Benson et al.	5,630,643 A	5/1997	Scholten et al.
4,730,871 A	3/1988	Sheldon	5,636,898 A	6/1997	Dixon et al.
4,742,725 A	5/1988	Nagai	5,649,740 A	7/1997	Hodgdon
			5,651,584 A	7/1997	Chenot et al.
			5,655,814 A	8/1997	Gibbs
			5,660,439 A	8/1997	Unwalla
			5,662,381 A	9/1997	Roossien et al.

(56)

References Cited

U.S. PATENT DOCUMENTS

5,704,689	A	1/1998	Kim	6,513,874	B1	2/2003	Sander et al.
5,716,098	A	2/1998	Lance	6,517,156	B1	2/2003	Lin
5,718,476	A	2/1998	De Pascal et al.	6,536,841	B1	3/2003	Pearce et al.
5,725,276	A	3/1998	Ginat	6,572,190	B2	6/2003	Koepke et al.
5,725,277	A	3/1998	Knoblock	6,582,019	B2	6/2003	Insalaco et al.
5,743,595	A	4/1998	Kirdulis	6,585,320	B2	7/2003	Holbrook et al.
5,765,804	A	6/1998	Stumpf et al.	6,588,842	B2	7/2003	Stumpf et al.
5,769,500	A	6/1998	Holbrook	6,592,090	B1	7/2003	Li
5,772,282	A	6/1998	Stumpf et al.	6,607,244	B2	8/2003	Stulik et al.
5,775,774	A	7/1998	Okano	6,609,691	B2	8/2003	Oddsens, Jr.
5,791,733	A	8/1998	van Hekken et al.	6,609,755	B2	8/2003	Koepke et al.
5,799,917	A	9/1998	Li	6,612,654	B2	9/2003	Laws et al.
5,810,439	A	9/1998	Roslund, Jr.	6,616,228	B2	9/2003	Heidmann
5,810,440	A	9/1998	Unwalla	6,619,746	B2	9/2003	Roslund, Jr. et al.
5,853,222	A	12/1998	Roslund, Jr. et al.	6,626,497	B2	9/2003	Nagamitsu et al.
5,868,467	A	2/1999	Moll	6,644,749	B2	11/2003	VanDeRiet et al.
5,871,258	A	2/1999	Batthey et al.	6,669,292	B2	12/2003	Koepke et al.
5,873,634	A	2/1999	Heidmann et al.	6,669,294	B2	12/2003	Kinoshita et al.
5,902,011	A	5/1999	Hand et al.	6,688,690	B2	2/2004	Watson et al.
5,909,924	A	6/1999	Roslund, Jr.	6,695,404	B2	2/2004	Bruske
5,918,935	A	7/1999	Stulik et al.	D487,359	S	3/2004	Giugiaro
5,934,758	A	8/1999	Ritch et al.	6,702,390	B2	3/2004	Stumpf et al.
5,944,382	A	8/1999	Ambasz	6,702,392	B2	3/2004	Mitsuhiro
5,957,534	A	9/1999	Wilkerson et al.	6,709,056	B2	3/2004	Bock
5,961,184	A	10/1999	Balderi et al.	6,709,060	B1	3/2004	Su
5,967,608	A	10/1999	Van Sickle	6,722,741	B2	4/2004	Stumpf et al.
5,975,632	A	11/1999	Ginat	6,726,278	B1	4/2004	Albright et al.
5,975,634	A	11/1999	Knoblock et al.	6,726,286	B2	4/2004	Stumpf et al.
5,975,639	A	11/1999	Wilson et al.	6,729,691	B2	5/2004	Koepke et al.
6,015,187	A	1/2000	Roslund, Jr. et al.	6,733,080	B2	5/2004	Stumpf et al.
6,027,171	A	2/2000	Partington et al.	6,739,664	B2	5/2004	Kinoshita et al.
6,030,044	A	2/2000	Kosugi et al.	D490,994	S	6/2004	Schmitz et al.
6,035,901	A	3/2000	Stumpf et al.	6,758,450	B2	7/2004	Niederman et al.
6,039,397	A	3/2000	Ginat	6,758,523	B2	7/2004	VanDeRiet et al.
D423,261	S	4/2000	Ritch et al.	6,761,406	B2	7/2004	Kinoshita et al.
6,053,578	A	4/2000	van Hekken et al.	D493,626	S	8/2004	James
6,059,362	A	5/2000	Lin	D493,627	S	8/2004	Ma
6,059,366	A	5/2000	Hu	6,769,657	B1	8/2004	Huang
6,059,368	A	5/2000	Stumpf et al.	6,786,544	B1	9/2004	Muraishi
6,062,649	A	5/2000	Nagel et al.	6,793,284	B1	9/2004	Johnson et al.
6,076,892	A	6/2000	van Hekken et al.	D496,812	S	10/2004	Chu
6,079,785	A	6/2000	Peterson et al.	6,837,546	B2	1/2005	VanDeRiet et al.
6,086,034	A	7/2000	McAllister et al.	6,857,704	B2	2/2005	Stenzel et al.
6,086,156	A	7/2000	Breen et al.	D503,300	S	3/2005	Olson
6,099,076	A	8/2000	Nagel et al.	6,874,852	B2	4/2005	Footitt
6,109,694	A	8/2000	Kurtz	6,880,215	B2	4/2005	Peterson
6,125,521	A	10/2000	Stumpf et al.	D507,423	S	7/2005	Beaulieu et al.
6,168,239	B1	1/2001	Conner et al.	6,913,315	B2	7/2005	Ball et al.
6,178,595	B1	1/2001	Marinoni	6,913,316	B2	7/2005	Kinoshita et al.
6,189,972	B1	2/2001	Chu et al.	6,923,503	B2	8/2005	Sangiorgio
6,220,661	B1	4/2001	Peterson	6,929,327	B2	8/2005	Piretti
6,224,160	B1	5/2001	Takeuchi et al.	6,935,689	B2	8/2005	Horiki et al.
6,234,573	B1	5/2001	Roder et al.	6,942,300	B2	9/2005	Numa et al.
6,257,665	B1	7/2001	Nagamitsu et al.	6,945,602	B2	9/2005	Fookes et al.
6,260,921	B1	7/2001	Chu et al.	6,945,603	B2	9/2005	Elzenbeck
D446,033	S	8/2001	Koepke et al.	6,948,775	B2	9/2005	Tsai
6,305,750	B1	10/2001	Buono et al.	6,955,402	B2	10/2005	VanDeRiet et al.
D451,723	S	12/2001	Grove	6,957,861	B1	10/2005	Chou et al.
6,364,415	B1	4/2002	Mori et al.	6,966,604	B2	11/2005	Stumpf et al.
6,367,876	B2	4/2002	Caruso et al.	6,969,121	B2	11/2005	Drajan
6,382,719	B1	5/2002	Heidmann et al.	6,981,743	B2	1/2006	Edwards et al.
6,386,634	B1	5/2002	Stumpf et al.	6,983,997	B2	1/2006	Wilkerson et al.
6,394,546	B1	5/2002	Knoblock et al.	D514,832	S	2/2006	Tsai
6,394,548	B1	5/2002	Batthey et al.	6,997,515	B2	2/2006	Gupta et al.
6,394,549	B1	5/2002	DeKraker et al.	7,004,544	B2	2/2006	Mitjans
6,419,318	B1	7/2002	Albright	7,014,269	B2	3/2006	Coffield et al.
6,431,649	B1	8/2002	Hensel	7,025,425	B2	4/2006	Kovatchev et al.
6,450,577	B1	9/2002	Roslund, Jr.	D521,755	S	5/2006	Kinoshita et al.
6,460,932	B1	10/2002	Kopish et al.	7,066,536	B2	6/2006	Williams et al.
6,471,294	B1	10/2002	Dammermann et al.	7,066,537	B2	6/2006	Coffield et al.
6,499,801	B1	12/2002	Peterson et al.	7,066,538	B2	6/2006	Machael et al.
6,499,803	B2	12/2002	Nakane et al.	7,066,546	B2	6/2006	Trego et al.
6,502,904	B1	1/2003	Hansen	7,066,549	B2	6/2006	Dennon et al.
6,508,509	B2	1/2003	Peterson	7,080,884	B2	7/2006	Daeschle et al.
6,513,222	B2	2/2003	Von Ehr et al.	7,097,247	B2	8/2006	Batthey et al.
				7,104,604	B1	9/2006	Kang
				7,114,777	B2	10/2006	Knoblock et al.
				7,118,259	B2	10/2006	Fladhammer
				7,128,373	B2	10/2006	Kurtycz et al.

(56)

References Cited

U.S. PATENT DOCUMENTS

7,131,692 B2	11/2006	Huang	7,806,481 B2	10/2010	Eberlein
7,131,700 B2	11/2006	Knoblock et al.	7,815,259 B2	10/2010	Fookes et al.
7,134,722 B2	11/2006	Ueda et al.	7,828,389 B2	11/2010	Oda
7,137,670 B2	11/2006	Gupta et al.	7,832,803 B2	11/2010	Cassaday
7,147,285 B2	12/2006	Lin	7,837,269 B2	11/2010	Bock
D535,505 S	1/2007	Cai	7,837,272 B2	11/2010	Masunaga et al.
7,159,947 B1	1/2007	Lee	7,841,570 B2	11/2010	Mileos et al.
7,201,449 B2	4/2007	Tsai	7,841,665 B2	11/2010	Geister et al.
7,213,880 B2	5/2007	Schmitz et al.	7,841,666 B2	11/2010	Schmitz et al.
7,213,886 B2	5/2007	Schmitz et al.	7,850,244 B2	12/2010	Salewski
7,216,933 B2	5/2007	Schmidt et al.	7,857,388 B2	12/2010	Bedford et al.
7,216,936 B2	5/2007	Peterson	7,866,749 B2	1/2011	Costaglia et al.
D544,722 S	6/2007	Scheper et al.	7,887,131 B2	2/2011	Chadwick et al.
7,234,772 B2	6/2007	Wells	7,887,135 B2	2/2011	Oda
7,234,775 B2	6/2007	Serber	7,887,137 B2	2/2011	Fisher et al.
7,249,802 B2	7/2007	Schmitz et al.	7,896,439 B2	3/2011	Kan et al.
7,264,312 B1	9/2007	Wang	7,922,248 B2	4/2011	Aldrich et al.
7,267,405 B2	9/2007	Tin	7,997,652 B2	8/2011	Roslund et al.
7,270,378 B2	9/2007	Wilkerson et al.	D645,682 S	9/2011	Nakamura et al.
7,273,253 B2	9/2007	Deimen et al.	8,016,360 B2	9/2011	Machael et al.
7,281,764 B2	10/2007	Thole	8,025,334 B2	9/2011	Schmitz et al.
7,293,833 B2	11/2007	Takeuchi et al.	8,029,060 B2	10/2011	Parker et al.
7,293,837 B2	11/2007	Assmann et al.	8,029,066 B2	10/2011	Su
D557,027 S	12/2007	Hara	8,047,612 B2	11/2011	Titz
D557,950 S	12/2007	Lu	8,052,213 B2	11/2011	Dahlbacka et al.
7,303,230 B2	12/2007	Munn et al.	8,061,778 B2	11/2011	Machael et al.
7,303,232 B1	12/2007	Chen	8,070,230 B2	12/2011	Krob et al.
7,322,653 B2	1/2008	Dragusin	8,087,729 B2	1/2012	Kladde
7,331,633 B2	2/2008	Balensiefer et al.	D654,709 S	2/2012	Fujita
7,344,194 B2	3/2008	Maier et al.	D654,711 S	2/2012	Fujita
7,360,839 B1	4/2008	Chen	D656,329 S *	3/2012	Nakamura et al. D6/366
7,367,622 B2	5/2008	Roslund et al.	D657,166 S	4/2012	Behar et al.
7,376,557 B2	5/2008	Specht et al.	8,210,611 B2	7/2012	Aldrich et al.
7,393,054 B2	7/2008	McQueen et al.	8,251,448 B2	8/2012	Machael et al.
7,399,036 B2	7/2008	Kowal et al.	D683,151 S *	5/2013	Smith et al. D6/366
D576,809 S	9/2008	Christianson et al.	D688,497 S *	8/2013	Smith et al. D6/716
7,419,222 B2	9/2008	Schmitz et al.	D688,498 S *	8/2013	Smith et al. D6/716
7,425,037 B2	9/2008	Schmitz et al.	D688,499 S *	8/2013	Smith et al. D6/716
7,425,039 B2	9/2008	Lin	D688,500 S *	8/2013	Smith et al. D6/716
7,427,105 B2	9/2008	Knoblock et al.	D688,501 S *	8/2013	Smith et al. D6/716
7,429,080 B2	9/2008	Walker et al.	D688,503 S *	8/2013	Smith et al. D6/716.4
7,434,879 B2	10/2008	Ueda et al.	D688,504 S *	8/2013	Smith et al. D6/716.4
7,458,637 B2	12/2008	Norman et al.	D688,505 S *	8/2013	Smith et al. D6/716.4
7,472,962 B2	1/2009	Caruso et al.	D694,536 S *	12/2013	Smith et al. D6/366
7,500,718 B2	3/2009	Fookes	D694,537 S *	12/2013	Smith et al. D6/366
7,513,569 B2	4/2009	Curiger	D694,540 S *	12/2013	Smith et al. D6/366
7,527,335 B2	5/2009	Eberlein et al.	D697,726 S *	1/2014	Smith et al. D6/366
7,530,637 B1	5/2009	Wu	D697,727 S *	1/2014	Smith et al. D6/366
7,533,939 B2	5/2009	Fookes et al.	D697,728 S *	1/2014	Smith et al. D6/366
D593,345 S	6/2009	Schweikarth et al.	D697,729 S *	1/2014	Smith et al. D6/366
7,549,704 B1	6/2009	Chou et al.	D697,730 S *	1/2014	Smith et al. D6/366
7,566,039 B2	7/2009	Hung	D698,164 S *	1/2014	Smith et al. D6/366
7,594,700 B2	9/2009	Stumpf et al.	D698,165 S *	1/2014	Smith et al. D6/366
7,600,814 B2	10/2009	Link	D699,957 S *	2/2014	Smith et al. D6/366
7,604,298 B2	10/2009	Peterson et al.	D699,958 S *	2/2014	Smith et al. D6/366
7,625,045 B2	12/2009	Hatcher et al.	D699,959 S *	2/2014	Smith et al. D6/366
7,665,805 B2	2/2010	Ueda	D701,053 S *	3/2014	Smith et al. D6/366
D612,642 S *	3/2010	Cassaday D6/716.4	2001/0000939 A1	5/2001	Roslund, Jr. et al.
7,677,515 B2	3/2010	Oddsand, Jr. et al.	2001/0028188 A1	10/2001	Stumpf et al.
7,677,654 B2	3/2010	Enberg et al.	2002/0003368 A1	1/2002	VanDeRiet et al.
7,681,956 B2	3/2010	Huang	2002/0113475 A1	8/2002	Ehr et al.
7,686,399 B2	3/2010	Heidmann et al.	2002/0180252 A1	12/2002	Kinoshita et al.
7,695,067 B2	4/2010	Goetz et al.	2003/0030317 A1	2/2003	Chen
7,712,833 B2	5/2010	Ueda	2003/0047980 A1	3/2003	Vassallo
7,717,513 B2	5/2010	Ueda	2003/0107252 A1	6/2003	Kinoshita et al.
7,726,740 B2	6/2010	Masunaga	2003/0151287 A1	8/2003	Ueda et al.
7,731,286 B2	6/2010	Wu	2004/0000805 A1	1/2004	VanDeRiet et al.
7,735,923 B2	6/2010	Roslund et al.	2004/0124679 A1	7/2004	Teppo et al.
7,740,315 B2	6/2010	Ball et al.	2004/0155503 A1	8/2004	Stumpf et al.
7,744,159 B2	6/2010	Lee	2004/0155509 A1	8/2004	Smith
7,784,870 B2	8/2010	Machael et al.	2004/0212235 A1	10/2004	Elzenbeck
7,794,017 B2	9/2010	Kan et al.	2005/0035638 A1	2/2005	Pennington et al.
7,794,022 B2	9/2010	Caruso et al.	2005/0052061 A1	3/2005	Deimen et al.
7,798,573 B2	9/2010	Pennington et al.	2005/0062323 A1	3/2005	Dicks
7,806,478 B1	10/2010	Cvek	2005/0093354 A1	5/2005	Ball
			2005/0121954 A1	6/2005	Coffied et al.
			2005/0231013 A1	10/2005	Knoblock et al.
			2006/0103221 A1	5/2006	Kleist
			2006/0181127 A1	8/2006	Pennington et al.

(56)

References Cited

U.S. PATENT DOCUMENTS

2007/0108818 A1 5/2007 Ueda et al.
 2007/0108821 A1 5/2007 Ueda
 2007/0170759 A1 7/2007 Nolan et al.
 2007/0290537 A1 12/2007 Lin
 2007/0290539 A1 12/2007 Hosoe et al.
 2008/0122284 A1 5/2008 Yang
 2008/0272636 A1 11/2008 Machael et al.
 2009/0001793 A1 1/2009 Knoblock
 2009/0001794 A1 1/2009 Pennington et al.
 2009/0127905 A1 5/2009 Schmitz et al.
 2009/0127914 A1 5/2009 Igarashi et al.
 2009/0184553 A1 7/2009 Dauphin
 2009/0272613 A1 11/2009 Kawai et al.
 2009/0302662 A1 12/2009 Groelsma et al.
 2010/0007190 A1 1/2010 Johnson et al.
 2010/0164262 A1 7/2010 Okimura et al.
 2010/0237674 A1 9/2010 Lee
 2010/0237679 A1 9/2010 Tsukiji et al.
 2010/0244521 A1 9/2010 Ueda
 2010/0259081 A1 10/2010 Kuno
 2010/0259082 A1 10/2010 Votteler
 2010/0270844 A1 10/2010 Hood
 2010/0276978 A1 11/2010 Furuta et al.
 2011/0012395 A1 1/2011 Roslund et al.
 2011/0031793 A1 2/2011 Machael et al.
 2011/0068613 A1 3/2011 Breikreuz
 2011/0181086 A1 7/2011 Pfeifer et al.
 2011/0193387 A1 8/2011 Kim
 2011/0198907 A1 8/2011 Masunaga et al.
 2011/0233979 A1 9/2011 An
 2011/0241403 A1 10/2011 Yamaguchi et al.
 2011/0248543 A1 10/2011 Hitchcock et al.
 2011/0272994 A1 11/2011 Walser
 2012/0007400 A1 1/2012 Behar et al.
 2012/0025578 A1 2/2012 Cvek
 2012/0032484 A1 2/2012 Cvek

FOREIGN PATENT DOCUMENTS

AU 2004200744 3/2004
 CA 2384668 12/1996
 CA 2162782 5/1997
 CA 2525902 7/2002
 CA 2782824 10/2007
 DE 3700862 7/1988
 DE 3743013 6/1989
 EP 0085670 8/1983
 EP 0155130 9/1985
 EP 0240389 10/1987
 EP 0281845 9/1988
 EP 0309804 4/1989
 EP 0363833 4/1990
 EP 0435297 7/1991
 EP 0517206 12/1992
 EP 0619966 10/1994
 EP 0645976 4/1995
 EP 0850005 2/1997
 EP 0836402 4/1998
 EP 0871383 10/1998

EP 1033927 9/2000
 EP 1082037 3/2001
 EP 1191863 4/2002
 EP 1192879 4/2002
 EP 1247474 10/2002
 EP 1319355 6/2003
 EP 1454569 9/2004
 EP 1579787 9/2005
 EP 1716785 11/2006
 EP 1719435 11/2006
 EP 1855566 11/2007
 EP 1855567 11/2007
 EP 1855569 11/2007
 EP 1874161 1/2008
 EP 1911374 4/2008
 EP 1915925 4/2008
 EP 1931232 6/2008
 EP 1976414 10/2008
 EP 1998649 12/2008
 EP 2068677 6/2009
 EP 2070444 6/2009
 EP 2095741 9/2009
 EP 2187782 5/2010
 EP 2233043 9/2010
 EP 2233044 9/2010
 EP 2339943 7/2011
 EP 2351500 8/2011
 HK 1061959 7/2007
 JP 10179315 7/1998
 JP 2006204802 8/2006
 JP 2006311900 11/2006
 JP 2007152145 6/2007
 JP 2007175520 7/2007
 JP 2008055134 3/2008
 JP 2008080089 4/2008
 JP 2008104568 5/2008
 JP 2011041614 3/2011
 JP 2013022078 2/2013
 JP 2013039340 2/2013
 KR 20050116218 12/2005
 WO 8805276 7/1988
 WO 0170073 9/2001
 WO 0232269 4/2002
 WO 02102197 12/2002
 WO 02102199 12/2002
 WO 03068025 8/2003
 WO 2006094261 9/2006
 WO 2006119209 11/2006
 WO 2007112236 10/2007
 WO 2008018117 2/2008
 WO 2008112918 9/2008
 WO 2008112919 9/2008
 WO 2010071282 6/2010
 WO 2011022856 3/2011
 WO 2011156536 12/2011
 WO 2012170863 4/2013

OTHER PUBLICATIONS

Werndl #1 Brochure.
 Steelcase Please Chair Brochure.

* cited by examiner

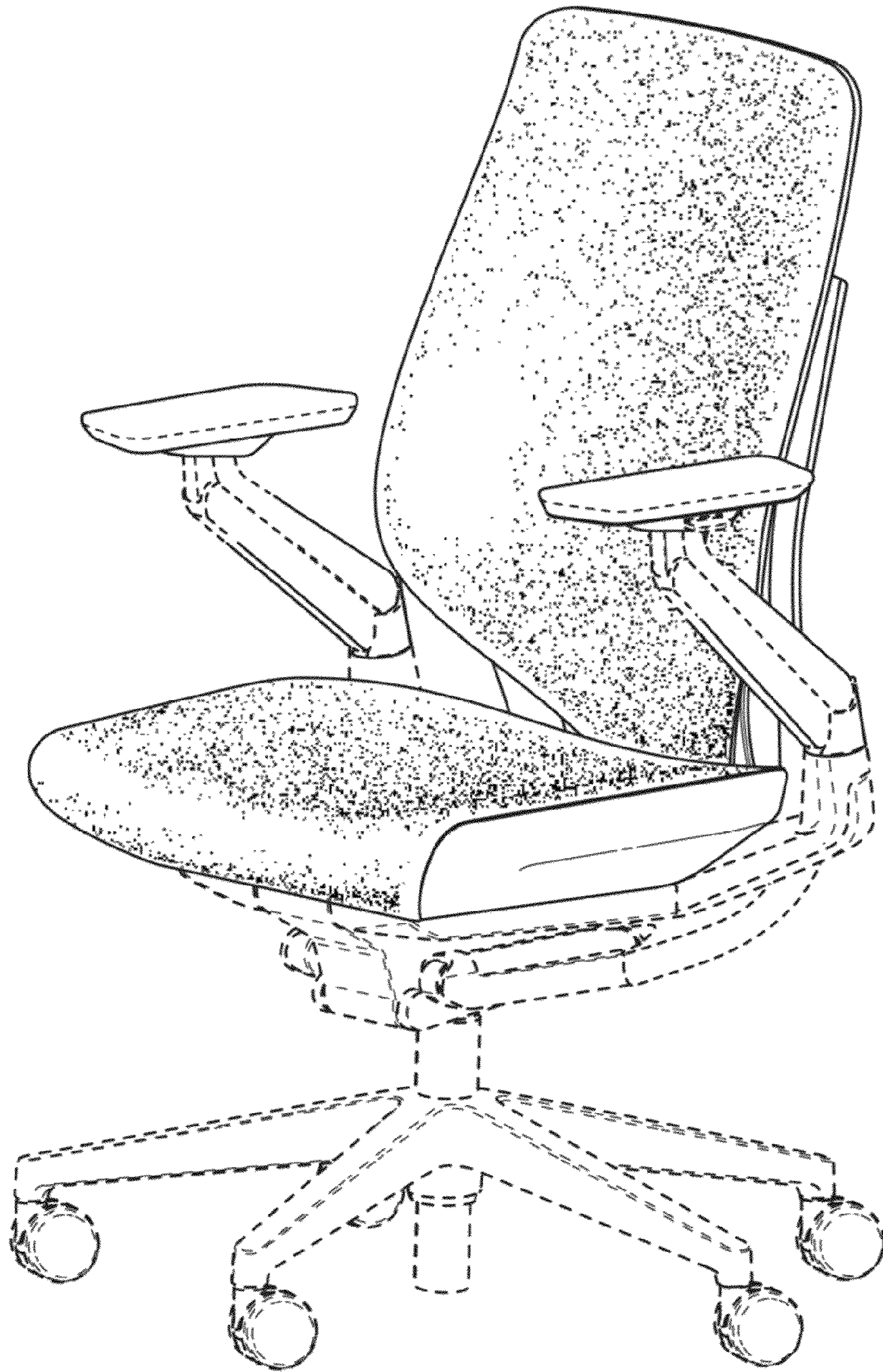


FIG. 1

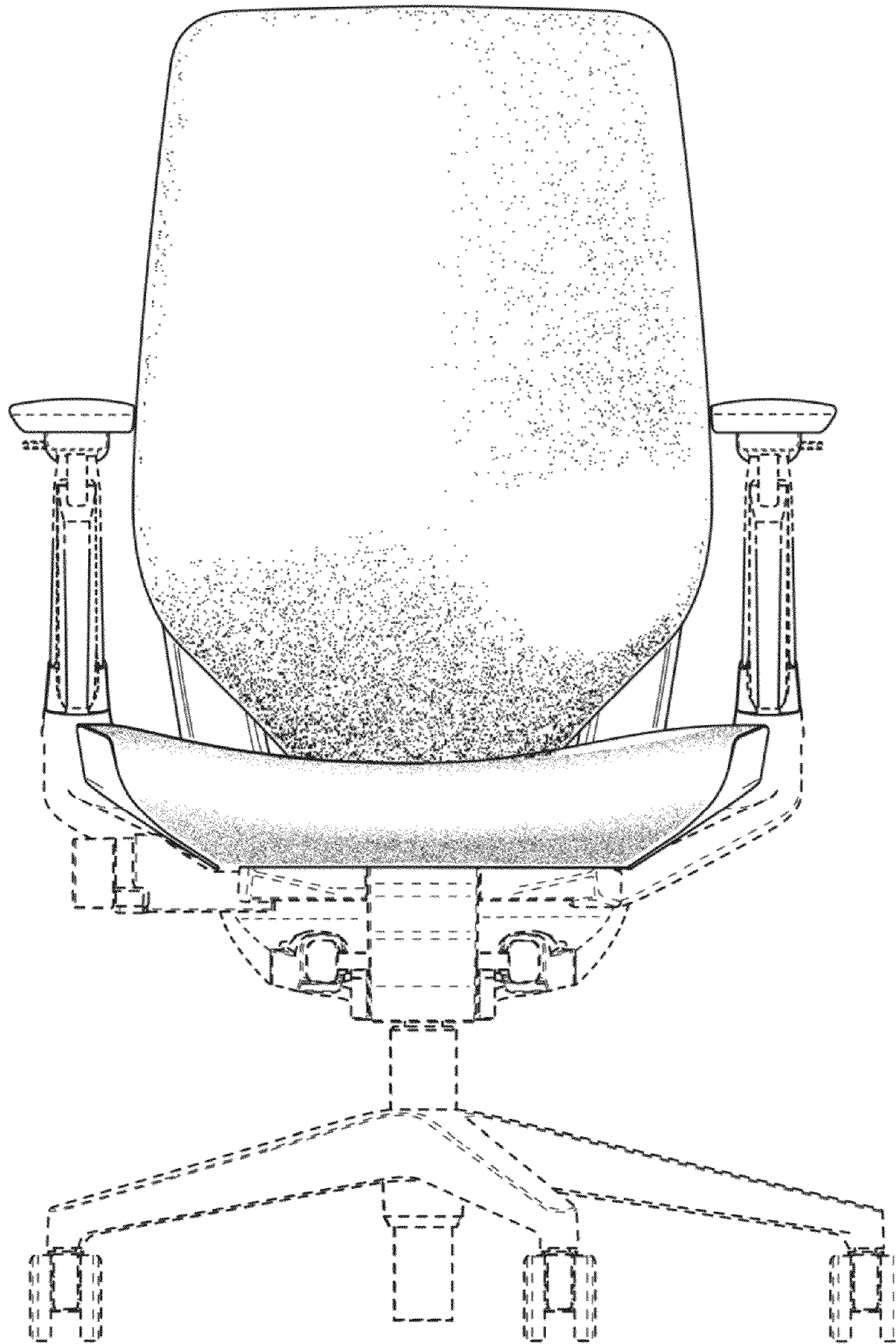


FIG. 2

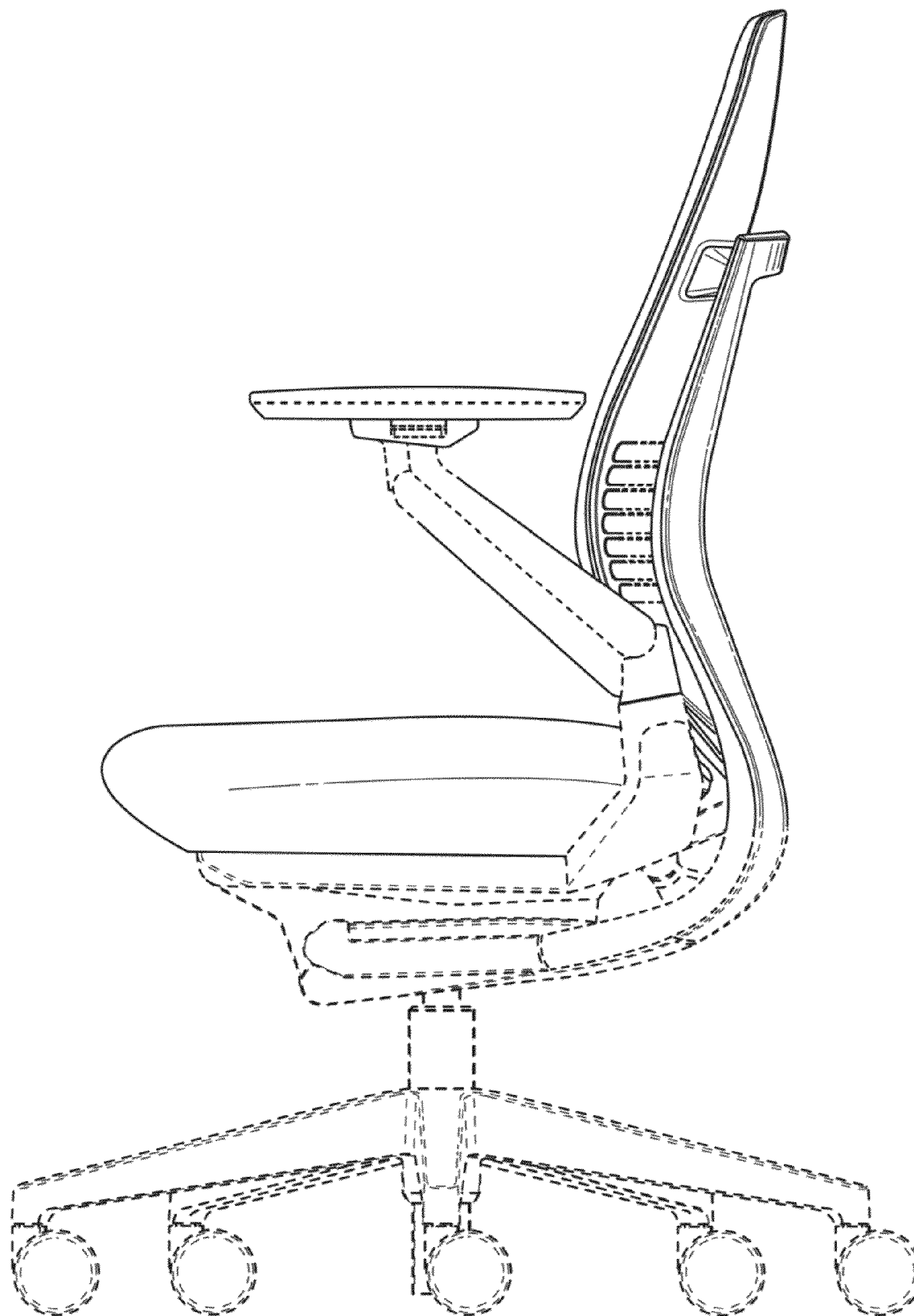


FIG. 3

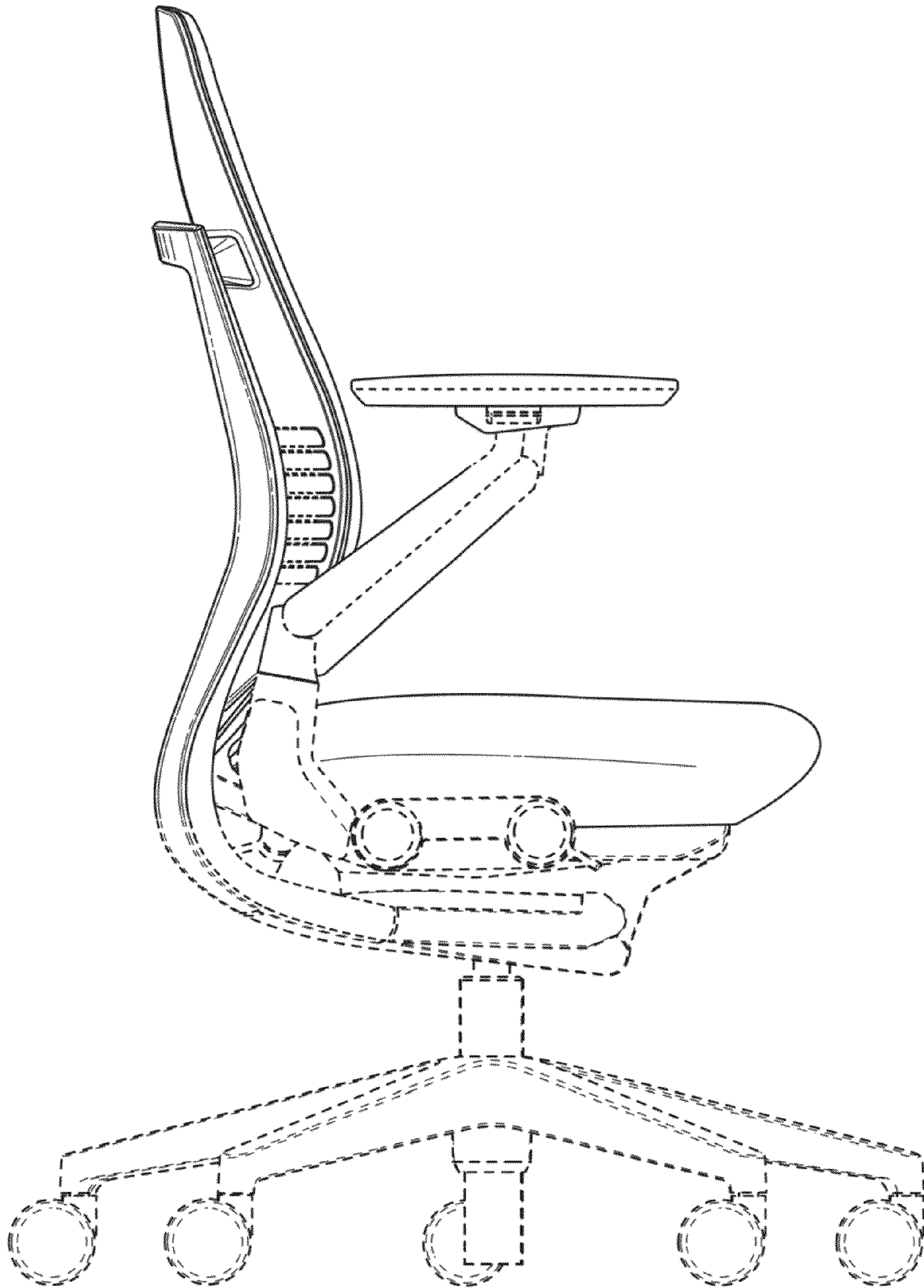


FIG. 4

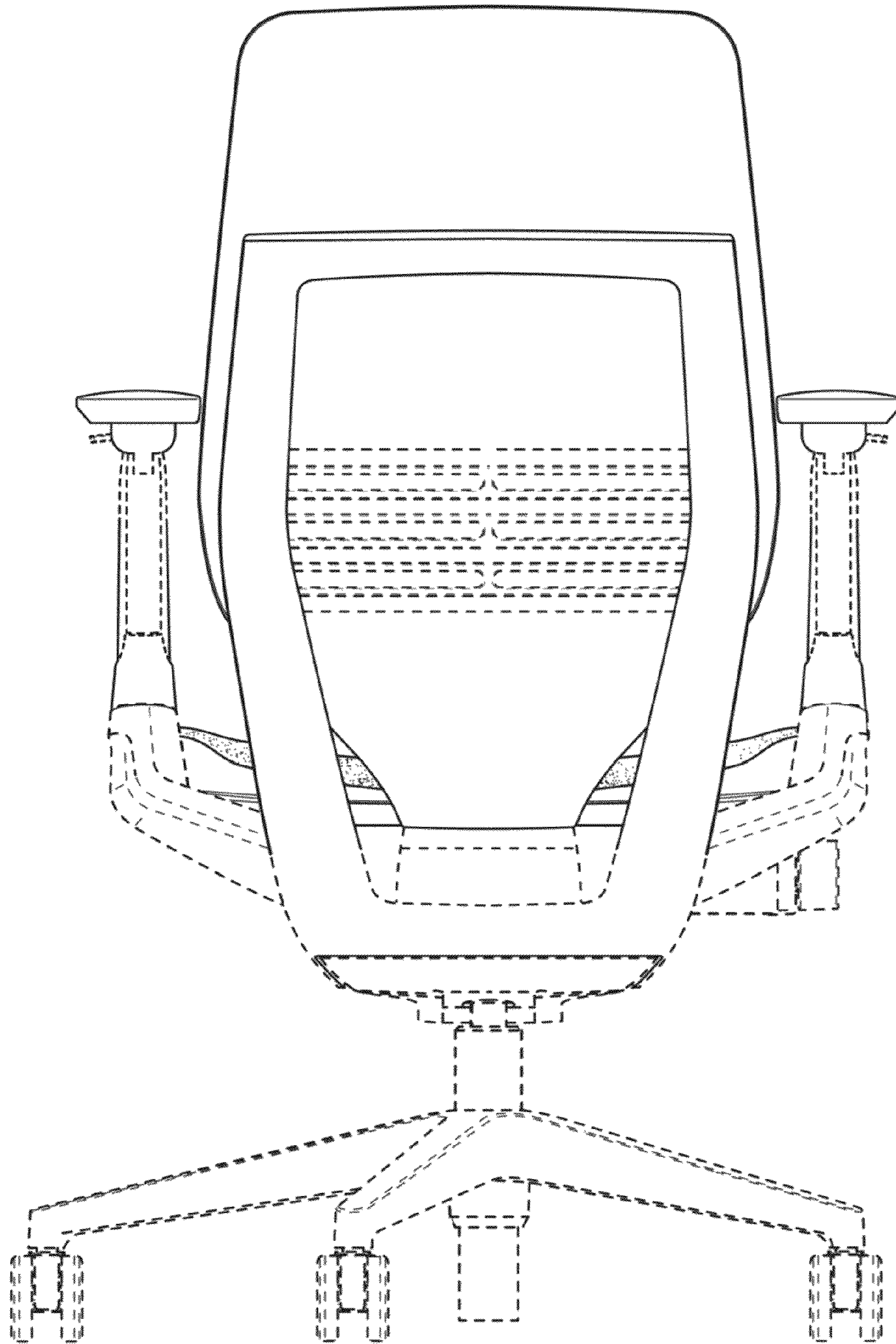


FIG. 5

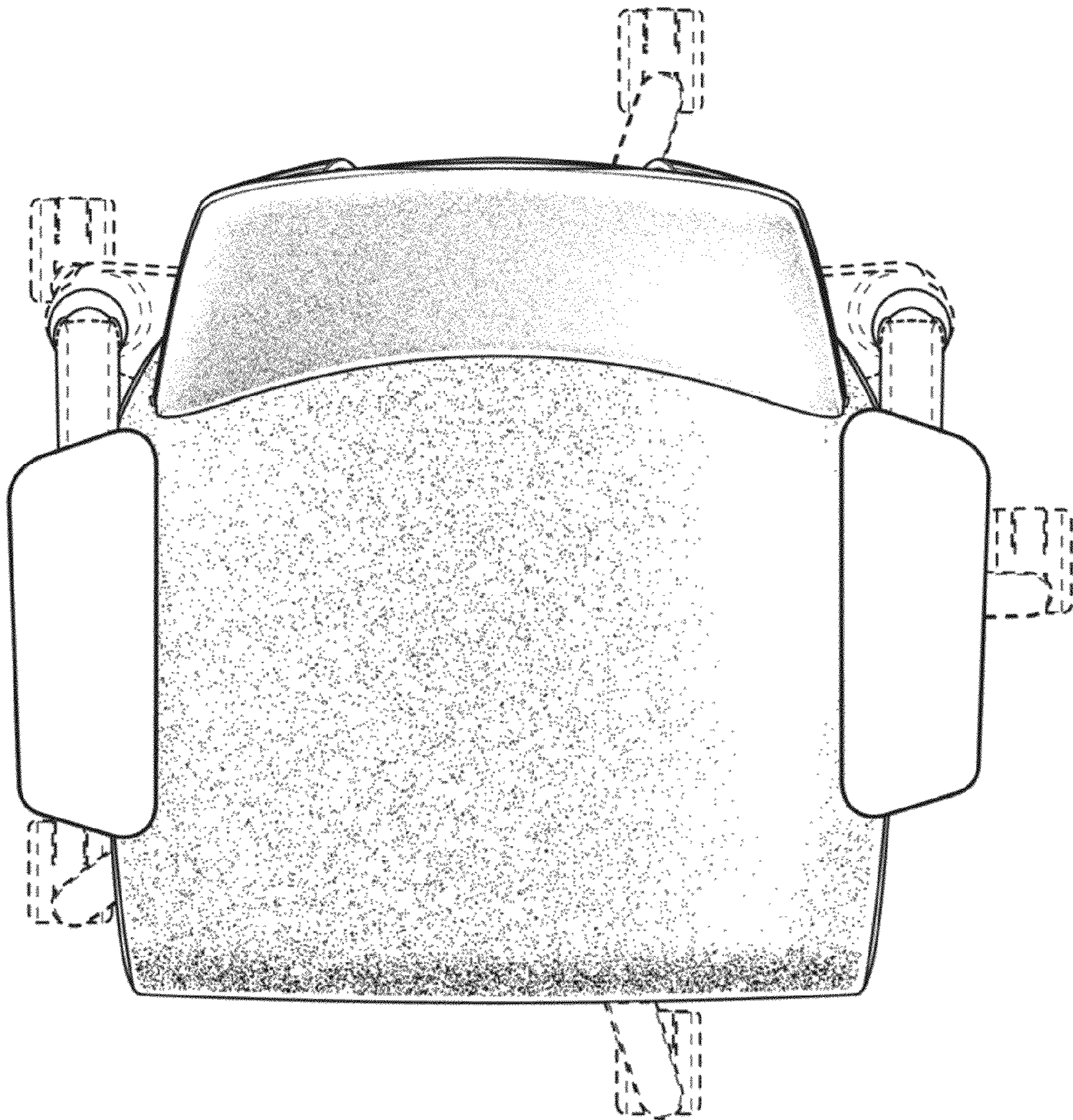


FIG. 6

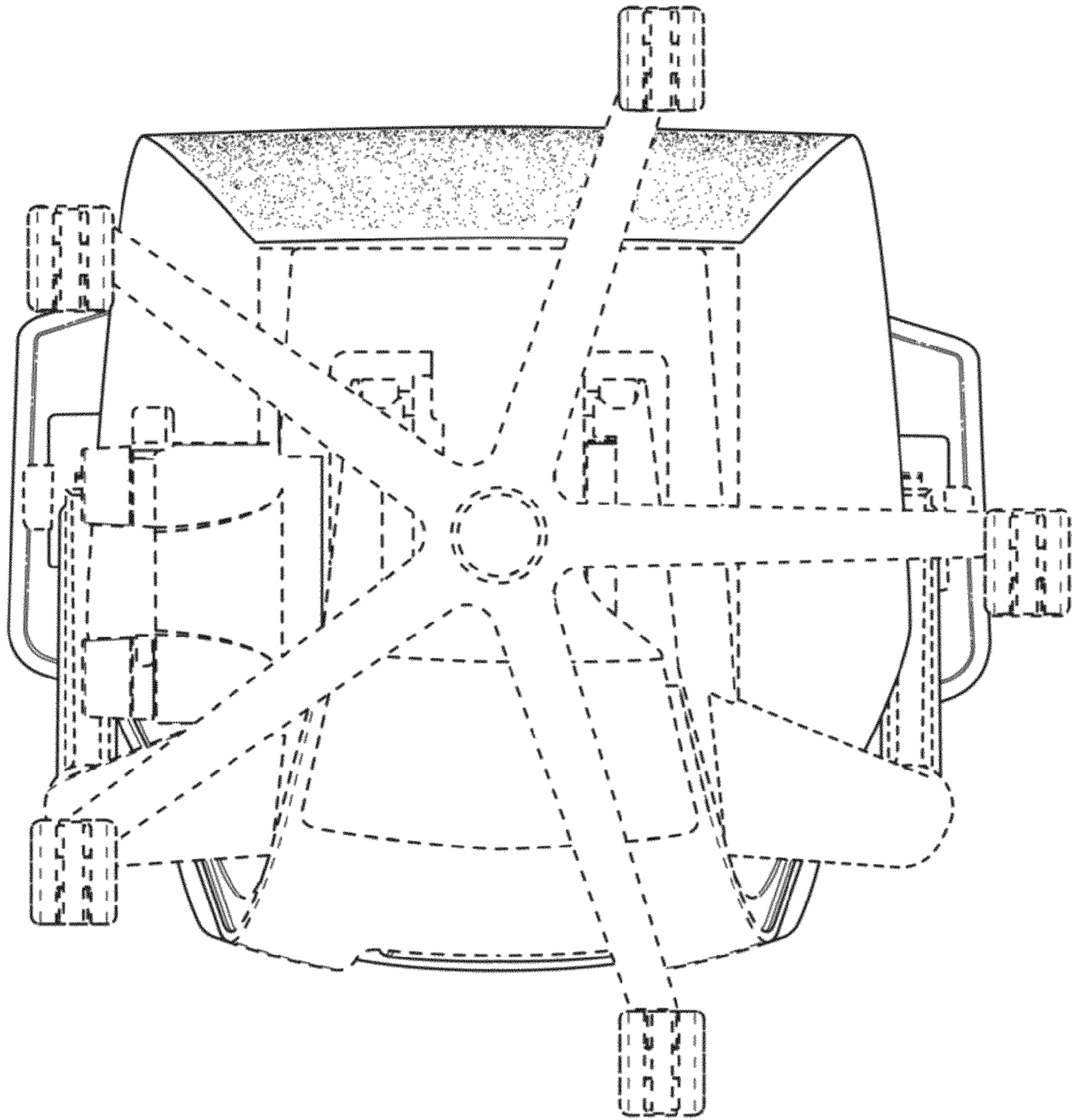


FIG. 7