



US00D742675S

(12) **United States Design Patent**  
**Morrison**

(10) **Patent No.:** **US D742,675 S**  
(45) **Date of Patent:** **\*\* Nov. 10, 2015**

(54) **CHAIR**

(71) Applicant: **Vitra Patente AG**, Birsfelden (GB)

(72) Inventor: **Jasper Morrison**, London (GB)

(73) Assignee: **Vitra Patente AG**, Birsfelden (CH)

(\*\*) Term: **14 Years**

(21) Appl. No.: **29/498,411**

(22) Filed: **Aug. 4, 2014**

(51) **LOC (10) Cl.** ..... **06-01**

(52) **U.S. Cl.**  
USPC ..... **D6/716; D6/375**

(58) **Field of Classification Search**  
USPC ..... D6/334–336, 371–373, 374, 375, 379,  
D6/380, 716, 716.1, 716.2, 716.3, 716.4  
CPC ..... A47C 3/04; A47C 4/02; A47C 4/03;  
A47C 5/12; A47C 3/12; B60N 2/686  
See application file for complete search history.

(56) **References Cited**

**U.S. PATENT DOCUMENTS**

2,845,699 A \* 8/1958 Woodard ..... A47C 3/12  
3,521,929 A \* 7/1970 Pearson ..... A47C 5/12

3,565,486 A \* 2/1971 Channon ..... A47C 3/12  
D417,795 S \* 12/1999 Rashid ..... D6/379  
D525,446 S \* 7/2006 Farber ..... D6/375  
D546,089 S 7/2007 Ebenestelli  
D555,380 S \* 11/2007 Farber ..... D6/375  
D602,276 S 10/2009 Neil  
D647,316 S \* 10/2011 Kim ..... D6/379  
D686,831 S \* 7/2013 Lemson et al. .... D6/375  
D726,468 S \* 4/2015 McKenna et al. .... D6/716  
D729,564 S \* 5/2015 Robins et al. .... D6/716

\* cited by examiner

*Primary Examiner* — Mimosa De

(74) *Attorney, Agent, or Firm* — Dorsey & Whitney LLP

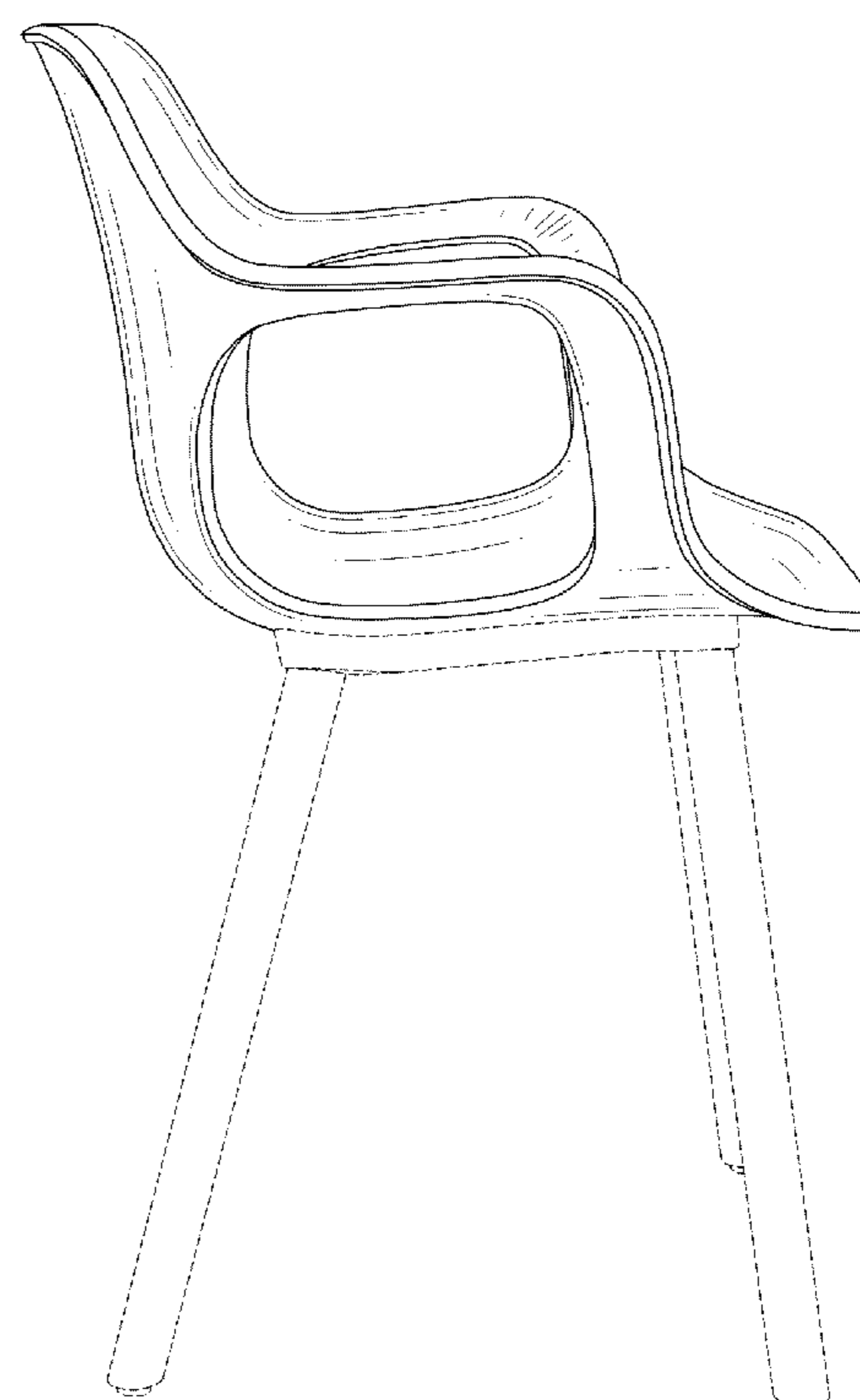
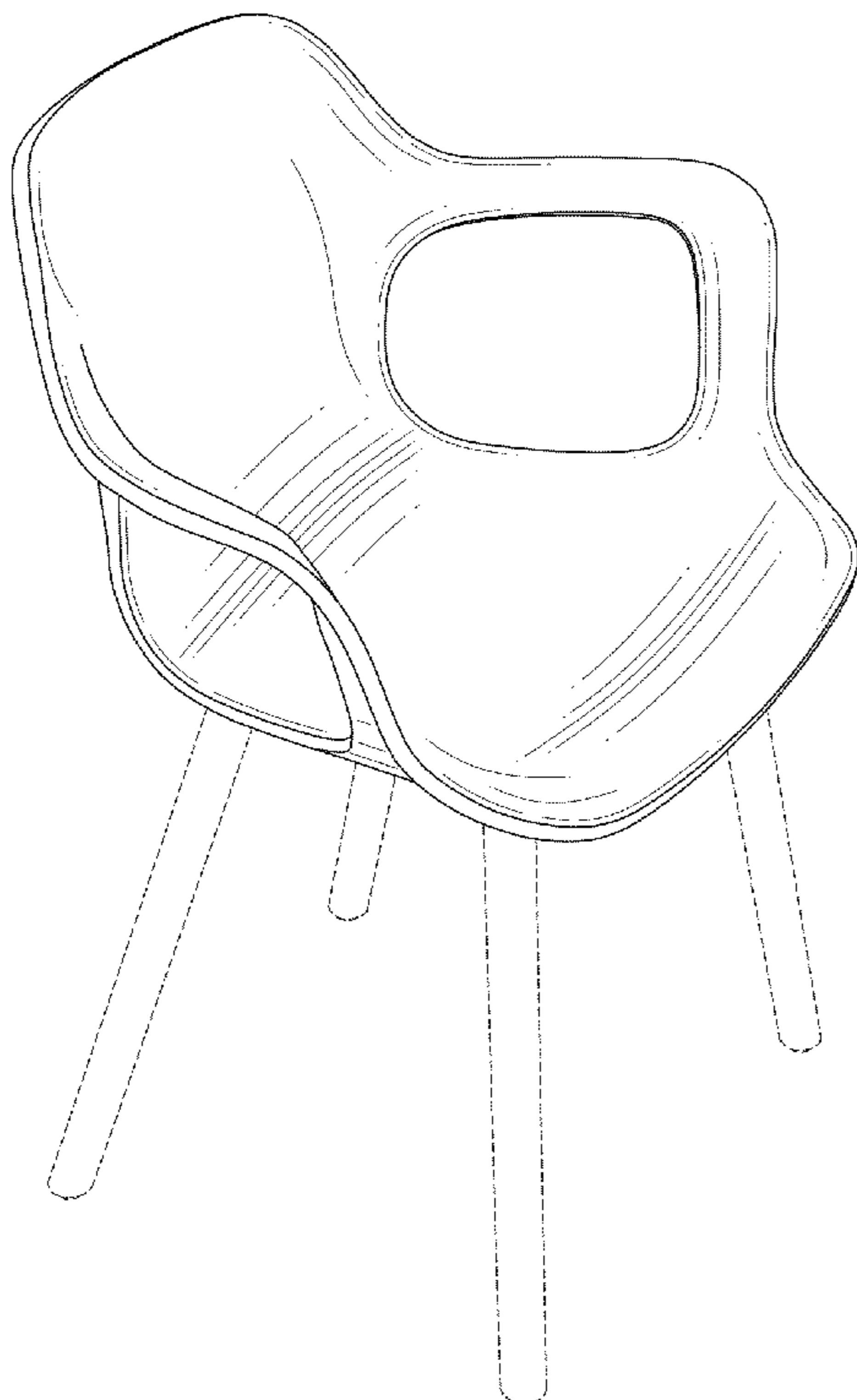
(57) **CLAIM**

The ornamental design for chair, as shown and described.

**DESCRIPTION**

FIG. 1 shows a front, right perspective view of a chair;  
FIG. 2 shows a front view thereof;  
FIG. 3 shows a rear view thereof;  
FIG. 4 shows a right-side view thereof;  
FIG. 5 shows a left-side view thereof;  
FIG. 6 shows a top view thereof; and,  
FIG. 7 shows a bottom view thereof.  
The broken lines illustrate environmental structure and form  
no part of the claimed design.

**1 Claim, 7 Drawing Sheets**



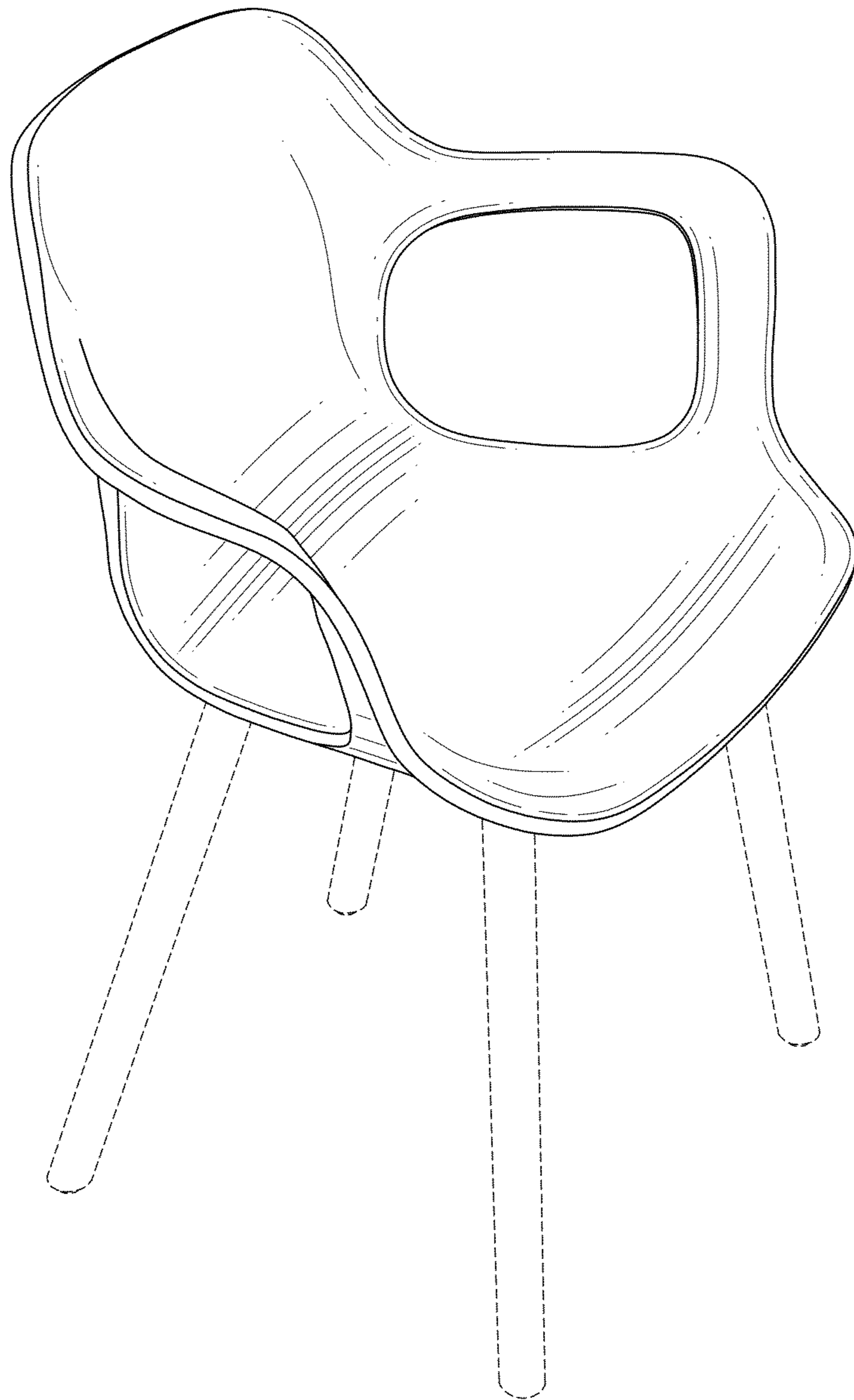


FIG. 1

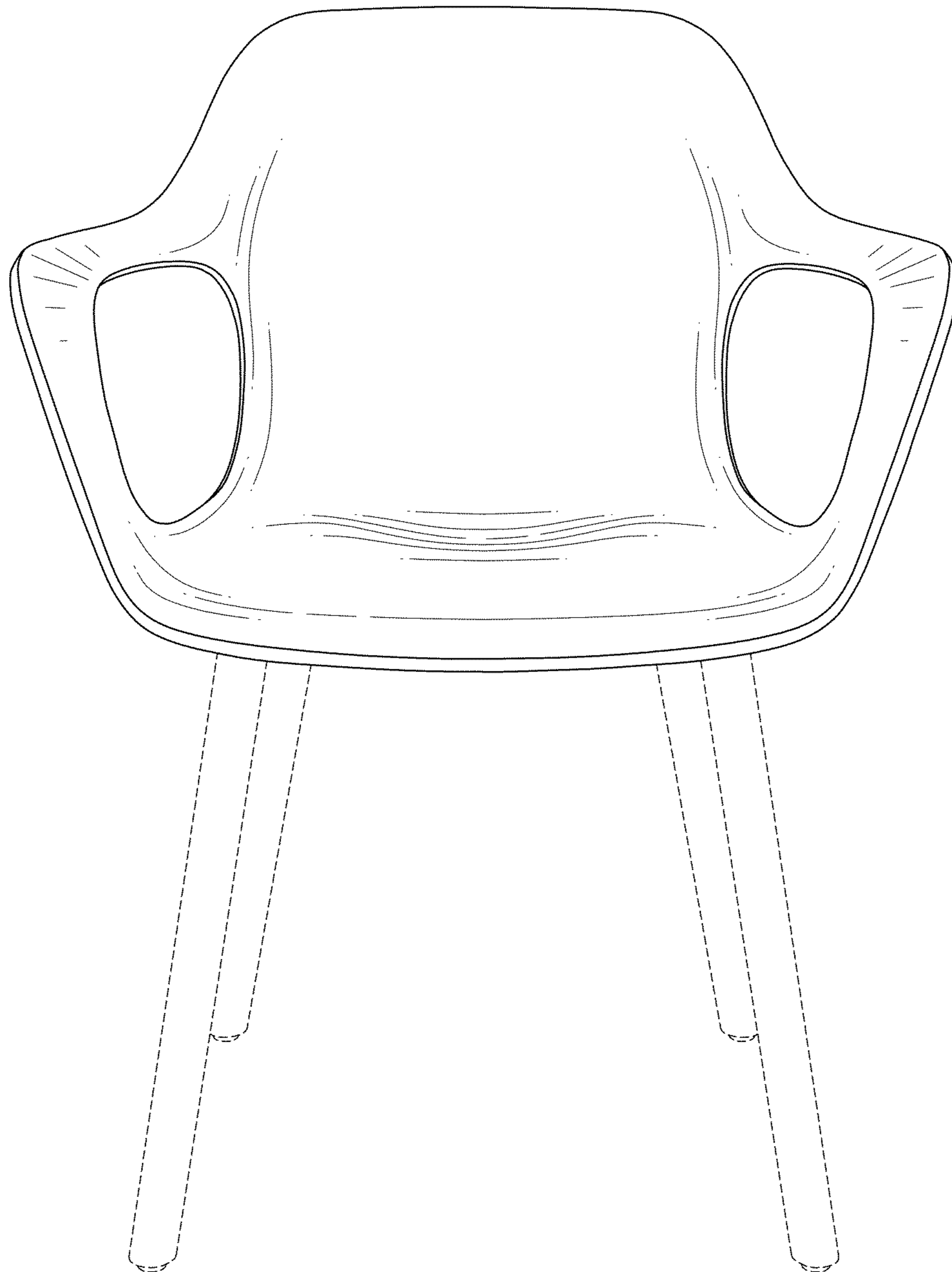


FIG. 2

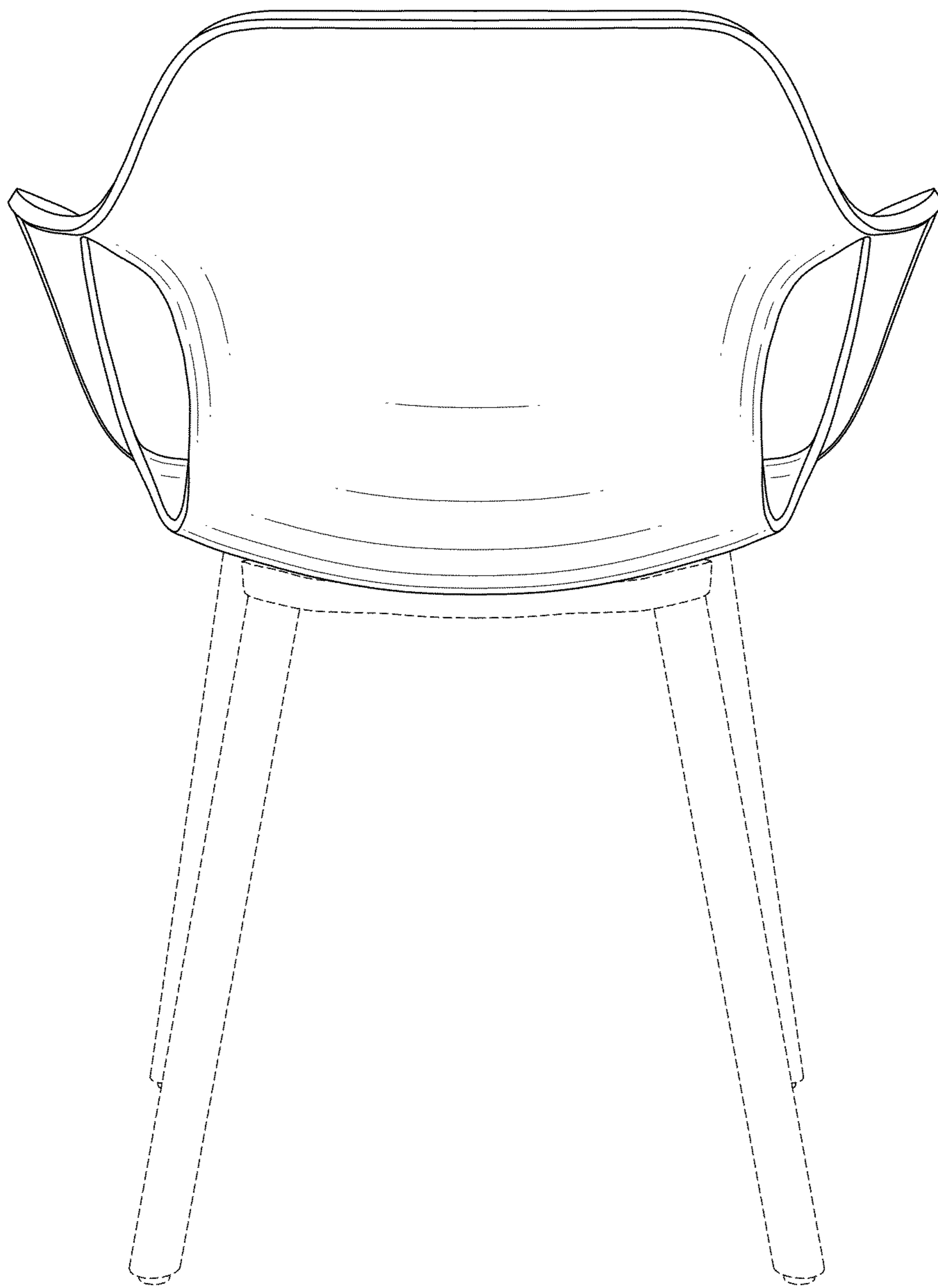


FIG. 3

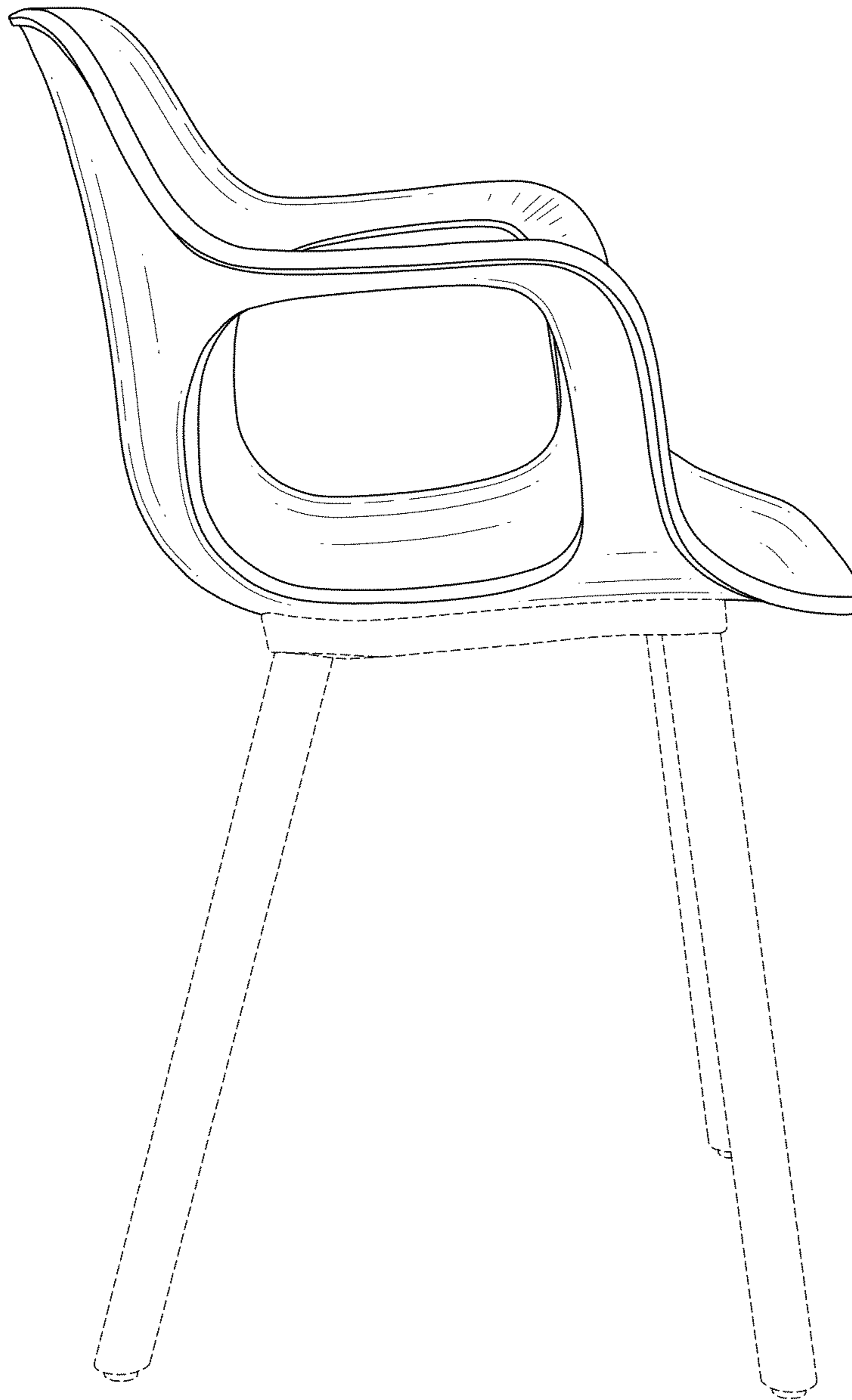


FIG. 4

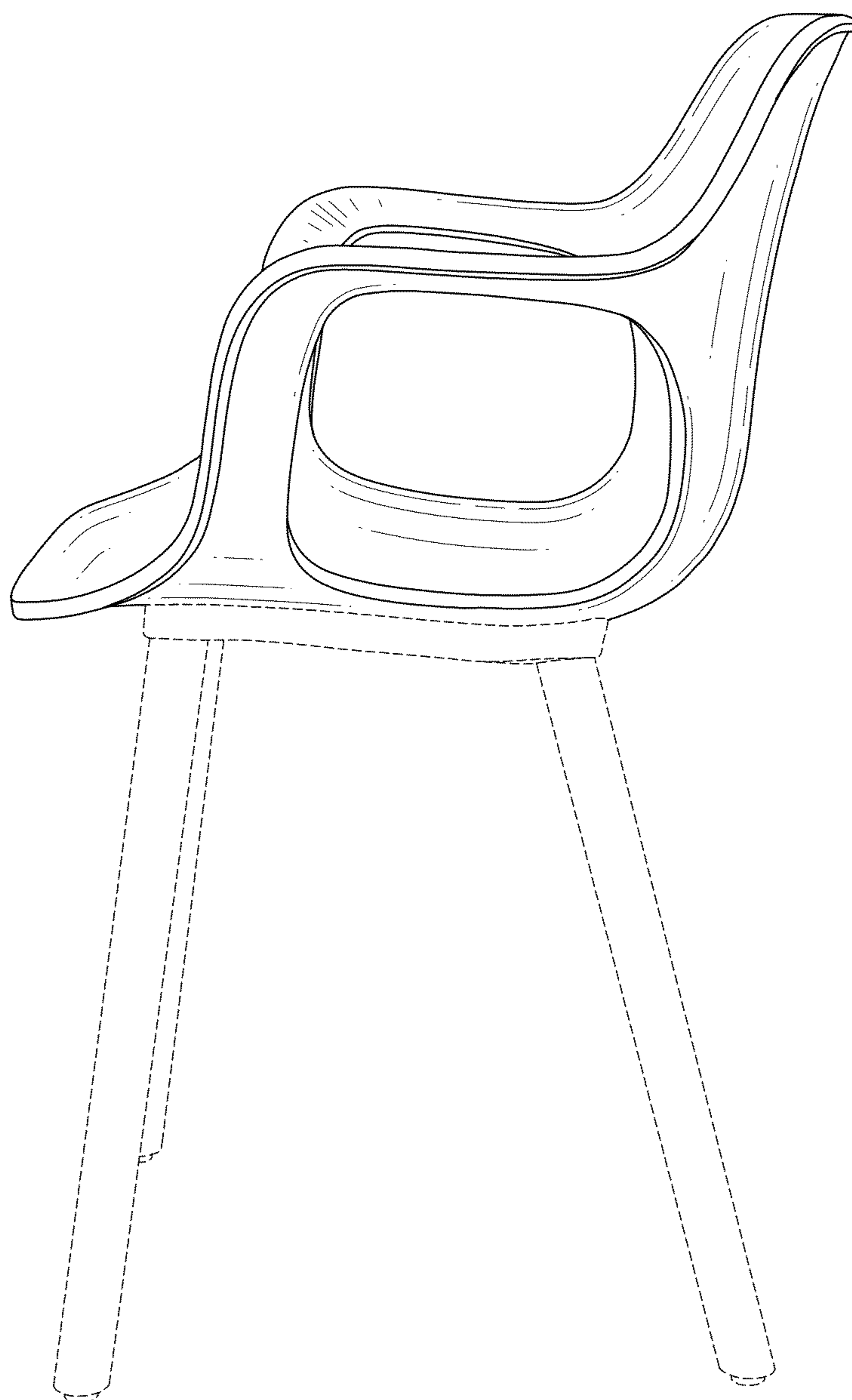


FIG.5





FIG. 6

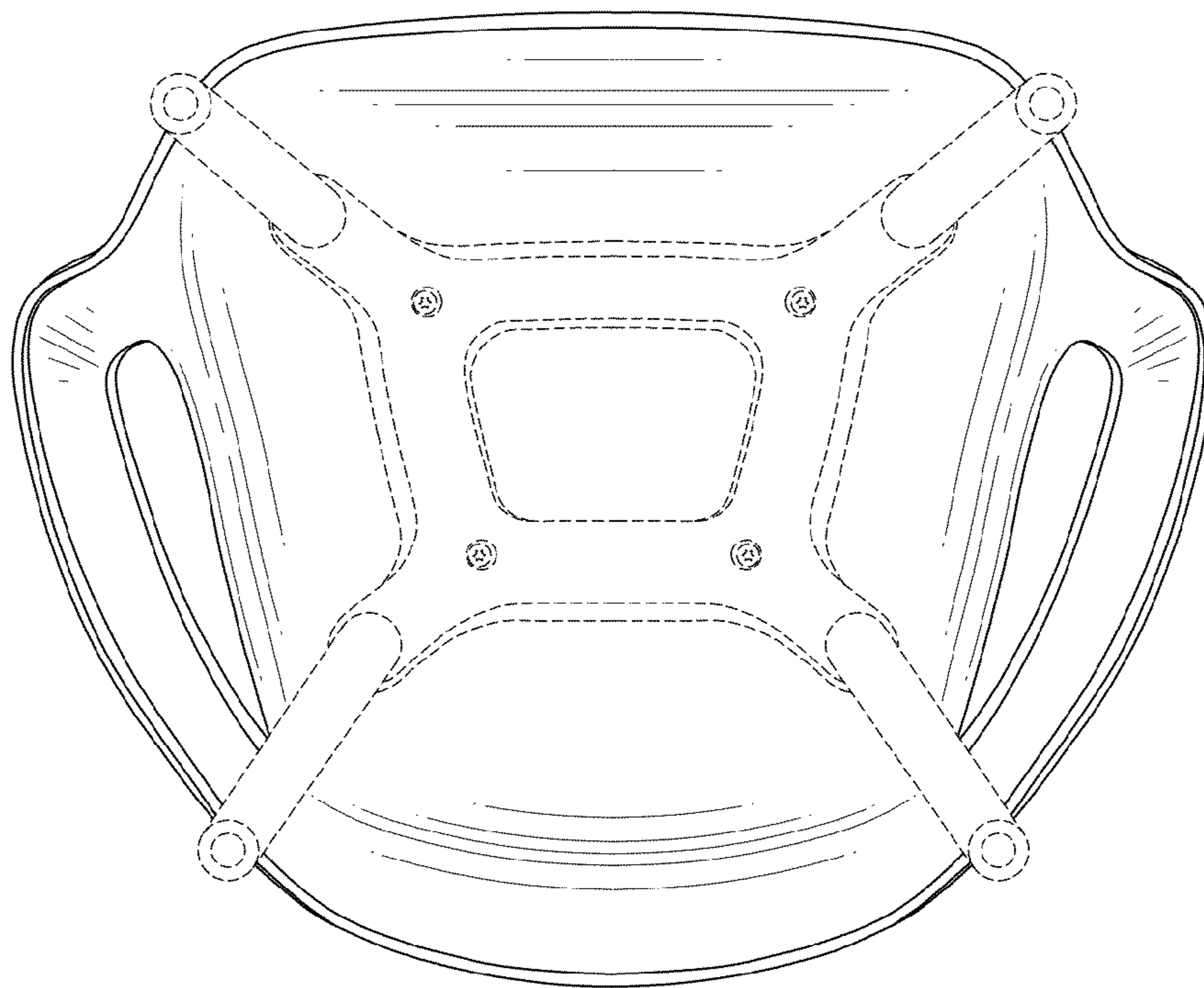


FIG. 7