



US00D742674S

(12) **United States Design Patent**
Wilkinson et al.

(10) **Patent No.:** **US D742,674 S**
(45) **Date of Patent:** **** Nov. 10, 2015**

- (54) **CHAIR**
- (71) Applicant: **FORMWAY FURNITURE LIMITED,**
Wellington (NZ)
- (72) Inventors: **Paul Michael Wilkinson,** Wellington
(NZ); **Christopher Warren Bisman,**
Porirua (NZ); **Stuart Gregory Munro,**
Lower Hutt (NZ)
- (73) Assignee: **Formway Furniture Limited,**
Wellington (NZ)
- (**) Term: **14 Years**
- (21) Appl. No.: **29/495,355**
- (22) Filed: **Jun. 30, 2014**

Related U.S. Application Data

- (62) Division of application No. 29/467,559, filed on Sep. 20, 2013, now Pat. No. Des. 711,127.
- (51) **LOC (10) Cl.** **06-01**
- (52) **U.S. Cl.**
USPC **D6/716**
- (58) **Field of Classification Search**
USPC D6/334-336, 360-381, 716,
D6/716.1-716.4
CPC A47C 1/02; A47C 1/03255; A47C 1/024;
A47C 3/025; A47C 3/026; A47C 7/02;
A47C 7/022; A47C 7/282; A47C 7/40;
A47C 7/402; A47C 7/44; A47C 7/46; A47C
7/54; B60N 2/64; B60N 2/66
See application file for complete search history.

(56) **References Cited**

U.S. PATENT DOCUMENTS

- D463,144 S 9/2002 Pennington et al.
- 6,702,390 B2 3/2004 Stumpf et al.
- D493,626 S 8/2004 James

- D499,895 S 12/2004 Olson et al.
- D514,832 S 2/2006 Tsai
- D517,820 S 3/2006 Citterio
- D521,755 S 5/2006 Kinoshita et al.
- D535,112 S * 1/2007 Bennett et al. D6/366
- D557,027 S 12/2007 Hara
- D558,996 S 1/2008 Igarashi
- D559,571 S 1/2008 Meda
- D559,572 S 1/2008 Igarashi
- D559,573 S 1/2008 Igarashi
- D559,574 S 1/2008 Igarashi
- D576,809 S 9/2008 Christianson et al.
- D576,813 S * 9/2008 Baldanzi et al. D6/366
- D576,814 S * 9/2008 Baldanzi et al. D6/366
- D582,170 S 12/2008 Chi

(Continued)

Primary Examiner — Ricky Pham
(74) *Attorney, Agent, or Firm* — Workman Nydegger

(57) **CLAIM**

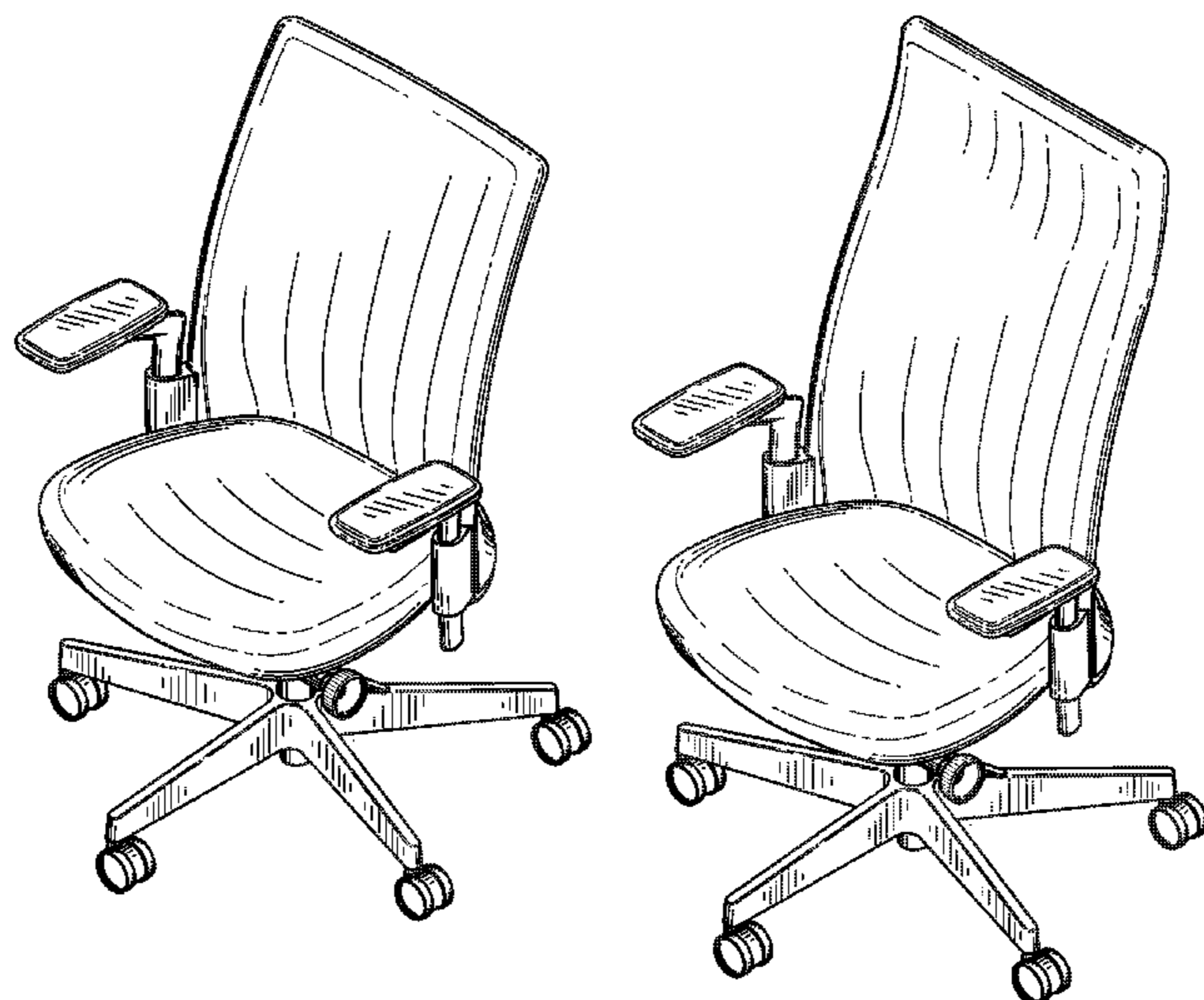
The ornamental design for a chair, as shown and described.

DESCRIPTION

FIG. 1 is an overhead front perspective view of a chair showing our new design;
 FIG. 2 is a front elevational view thereof;
 FIG. 3 is a left side elevational view thereof;
 FIG. 4 is a rear elevational view thereof;
 FIG. 5 is a right side elevational view thereof;
 FIG. 6 is a top plan view thereof;
 FIG. 7 is an overhead front perspective view of a second embodiment of the chair;
 FIG. 8 is a front elevational view thereof;
 FIG. 9 is a left side elevational view thereof;
 FIG. 10 is a rear elevational view thereof;
 FIG. 11 is a right side elevational view thereof; and,
 FIG. 12 is a top plan view thereof.

The broken lines showing features of the design are for the purpose of illustration only and form no part of the claimed design.

1 Claim, 12 Drawing Sheets



(56)

References Cited

U.S. PATENT DOCUMENTS

| | | | | | | | |
|--------------|---------|--------------------------|--------|-----------------|---------|-----------------------|----------|
| D595,970 S | 7/2009 | Ueda | | D666,016 S | 8/2012 | Citterio | |
| D596,418 S * | 7/2009 | Ueda | D6/366 | D667,231 S | 9/2012 | Citterio | |
| D597,329 S | 8/2009 | Tanaka et al. | | D670,927 S | 11/2012 | Hurford | |
| D597,349 S | 8/2009 | Wilkinson et al. | | D671,332 S * | 11/2012 | Izawa | D6/366 |
| D600,462 S | 9/2009 | Ooki et al. | | D671,759 S | 12/2012 | Hurford | |
| D607,653 S | 1/2010 | Wilkinson et al. | | D679,107 S * | 4/2013 | Darrow et al. | D6/366 |
| D607,672 S * | 1/2010 | Kubryk | D6/716 | D687,641 S * | 8/2013 | Barrell | D6/366 |
| D609,482 S * | 2/2010 | Englisch et al. | D6/366 | D688,056 S | 8/2013 | Phillips et al. | |
| D613,084 S | 4/2010 | Wilkinson et al. | | D688,483 S | 8/2013 | Aratani | |
| D613,085 S | 4/2010 | Fujita | | D690,523 S | 10/2013 | Choi | |
| D613,087 S | 4/2010 | Fujita | | D694,537 S * | 12/2013 | Smith et al. | D6/366 |
| D616,213 S | 5/2010 | Parker et al. | | D694,538 S * | 12/2013 | Smith et al. | D6/366 |
| D636,614 S | 4/2011 | Sander et al. | | D696,886 S | 1/2014 | Nakamura | |
| D649,795 S | 12/2011 | Izawa | | D701,068 S * | 3/2014 | Usumoto et al. | D6/716 |
| D652,223 S | 1/2012 | Fujita | | D703,988 S * | 5/2014 | Smith et al. | D6/716.4 |
| D654,709 S | 2/2012 | Fujita | | D704,487 S * | 5/2014 | Smith et al. | D6/716 |
| D654,710 S | 2/2012 | Fujita | | D704,944 S * | 5/2014 | Koepke et al. | D6/366 |
| D654,711 S | 2/2012 | Fujita | | D707,976 S * | 7/2014 | Smith et al. | D6/366 |
| D655,522 S | 3/2012 | Czumaj-Bront et al. | | D710,640 S * | 8/2014 | Usumoto et al. | D6/716 |
| D656,752 S | 4/2012 | Moll | | D711,127 S * | 8/2014 | Wilkinson et al. | D6/366 |
| D662,331 S * | 6/2012 | Czumaj-Bront et al. | D6/366 | D713,664 S * | 9/2014 | Vetter et al. | D6/716 |
| D663,129 S * | 7/2012 | Greutmann | D6/366 | D714,070 S * | 9/2014 | Cvek | D6/366 |
| D665,589 S | 8/2012 | Wagner | | D724,367 S * | 3/2015 | Sander | D6/716 |
| D665,592 S | 8/2012 | Citterio | | D727,076 S * | 4/2015 | Usumoto | D6/716 |
| | | | | D727,079 S * | 4/2015 | Usumoto | D6/716.4 |
| | | | | D728,292 S * | 5/2015 | Ooki | D6/716.4 |
| | | | | 2005/0035638 A1 | 2/2005 | Pennington et al. | |

* cited by examiner

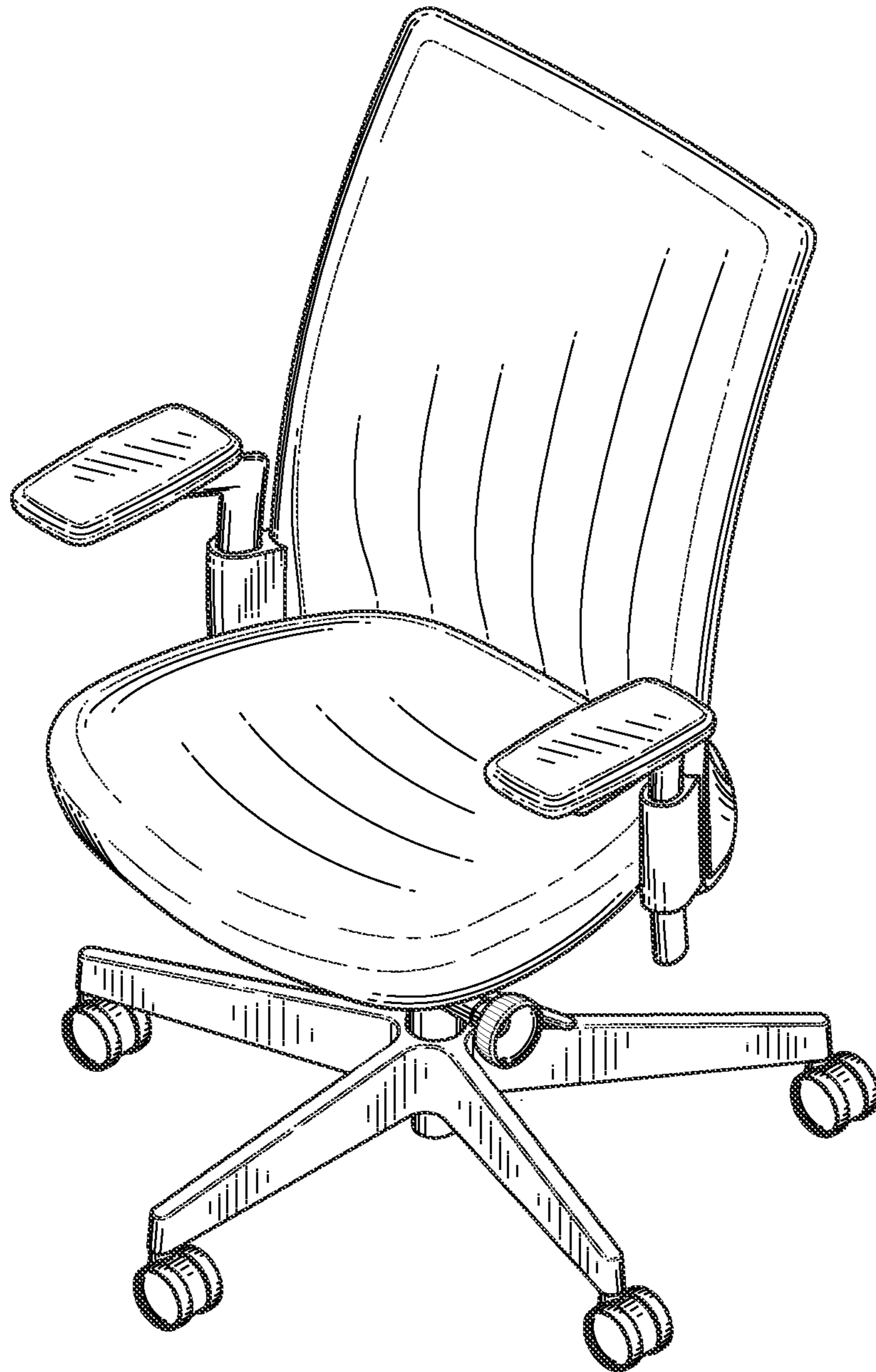


FIG. 1

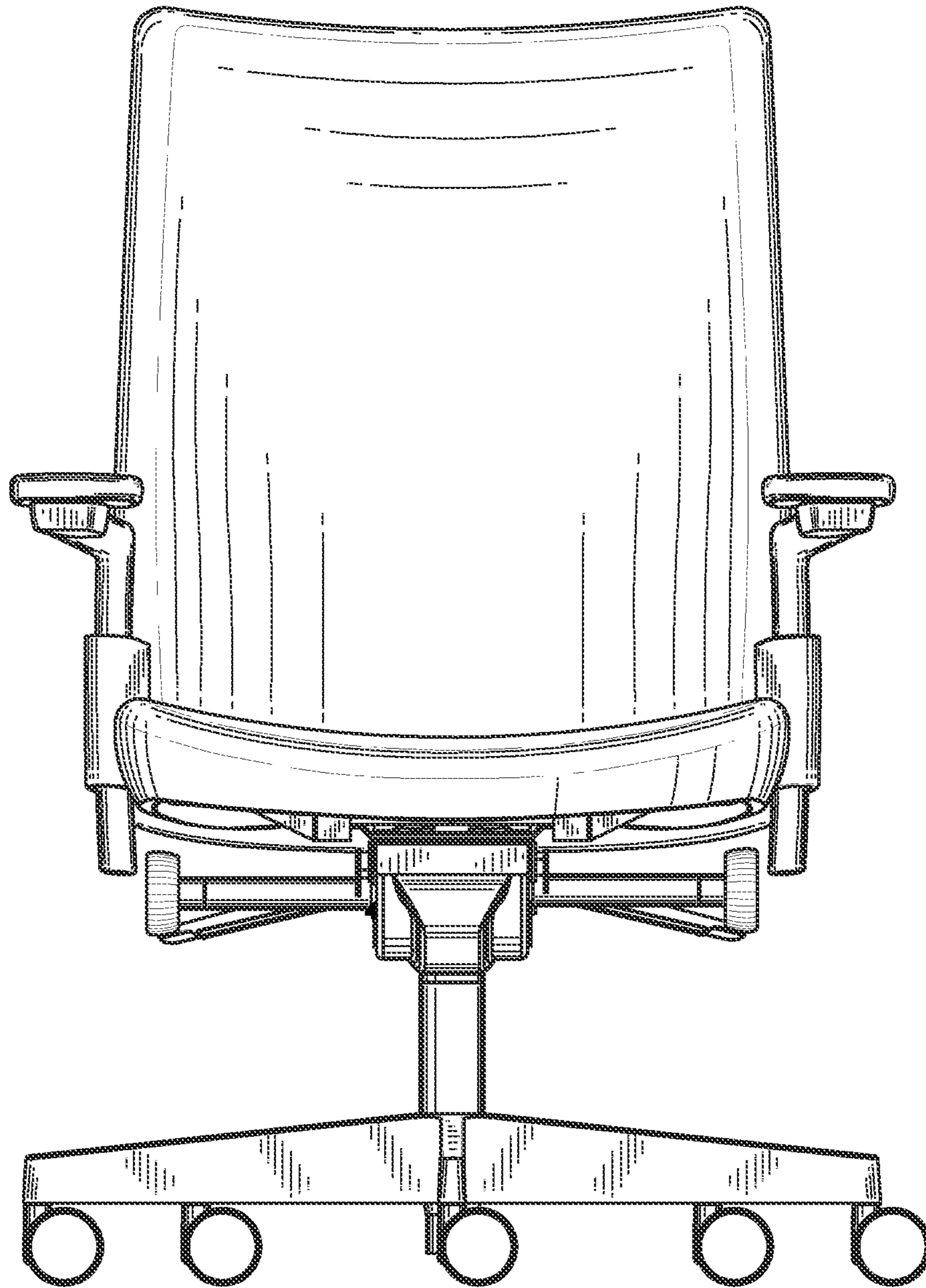


FIG. 2

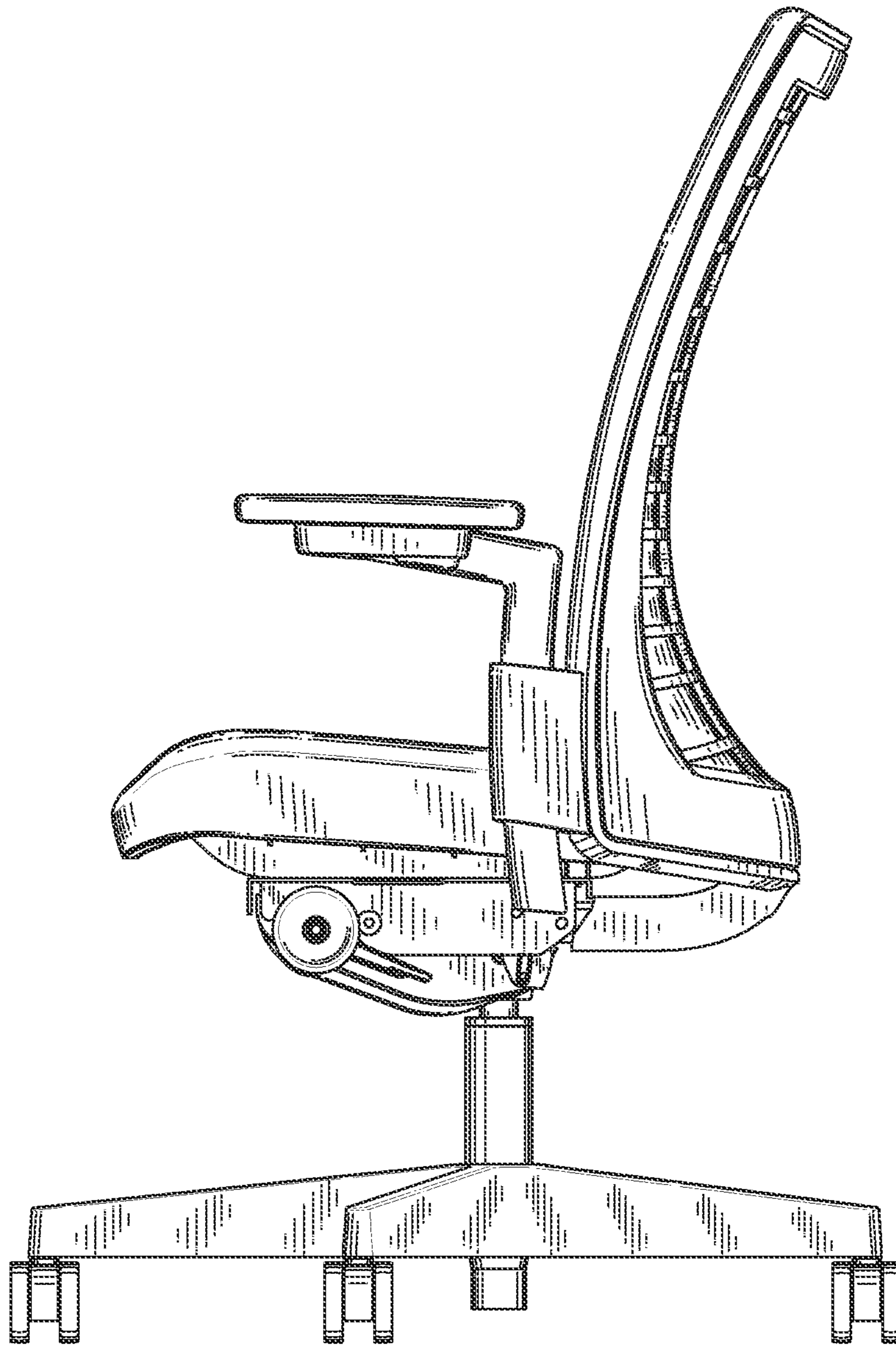


FIG. 3

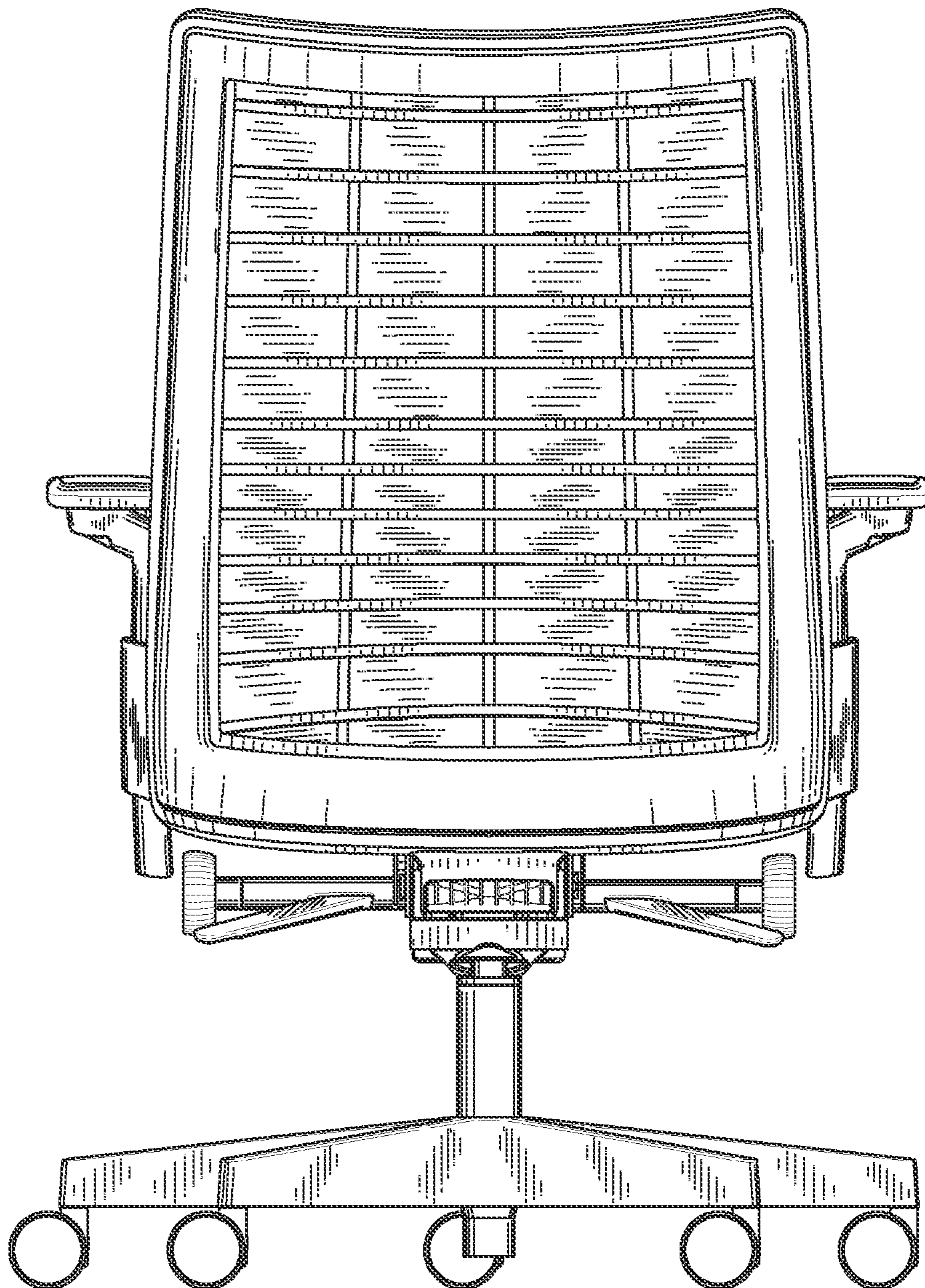


FIG. 4

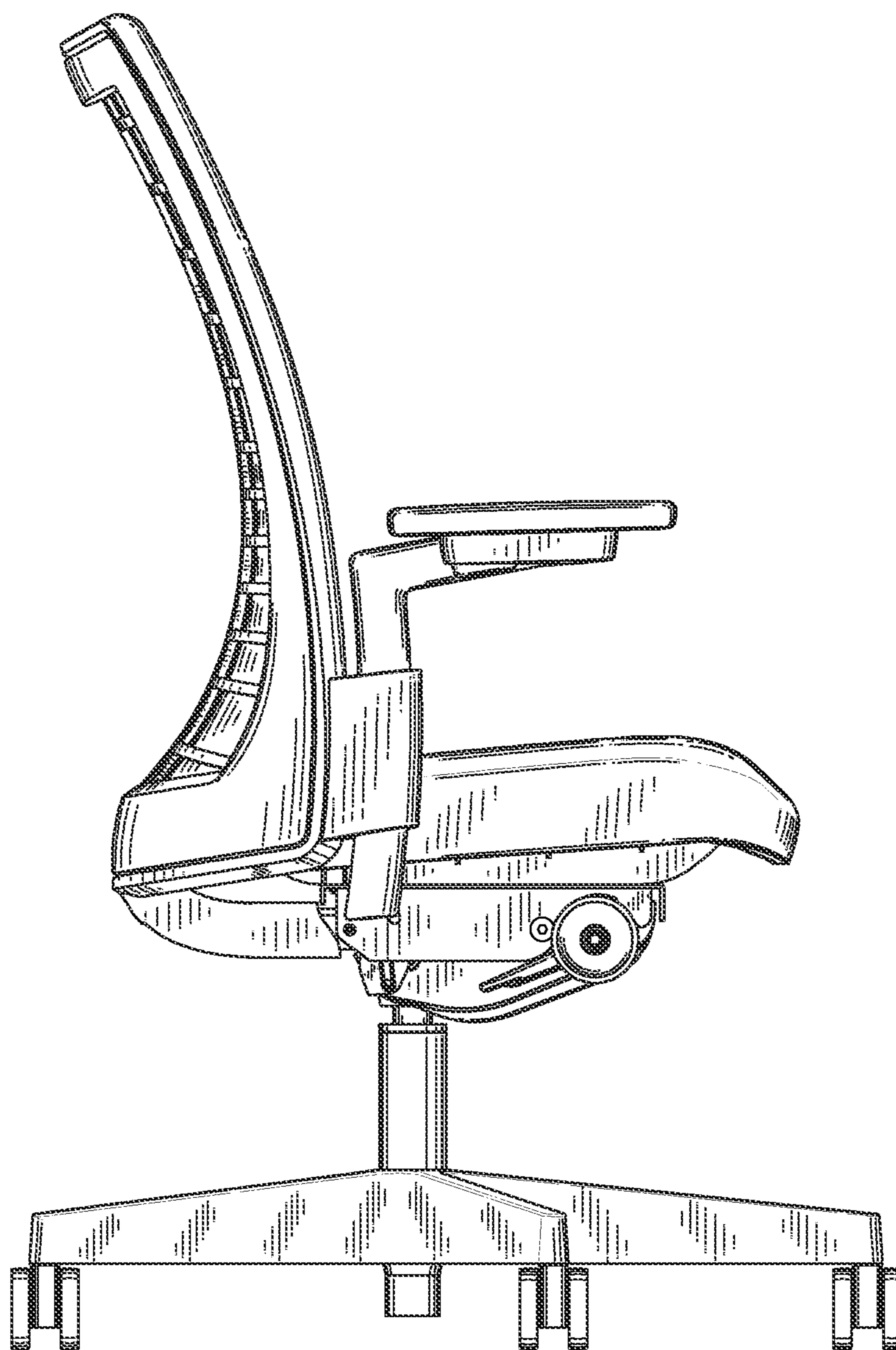


FIG. 5

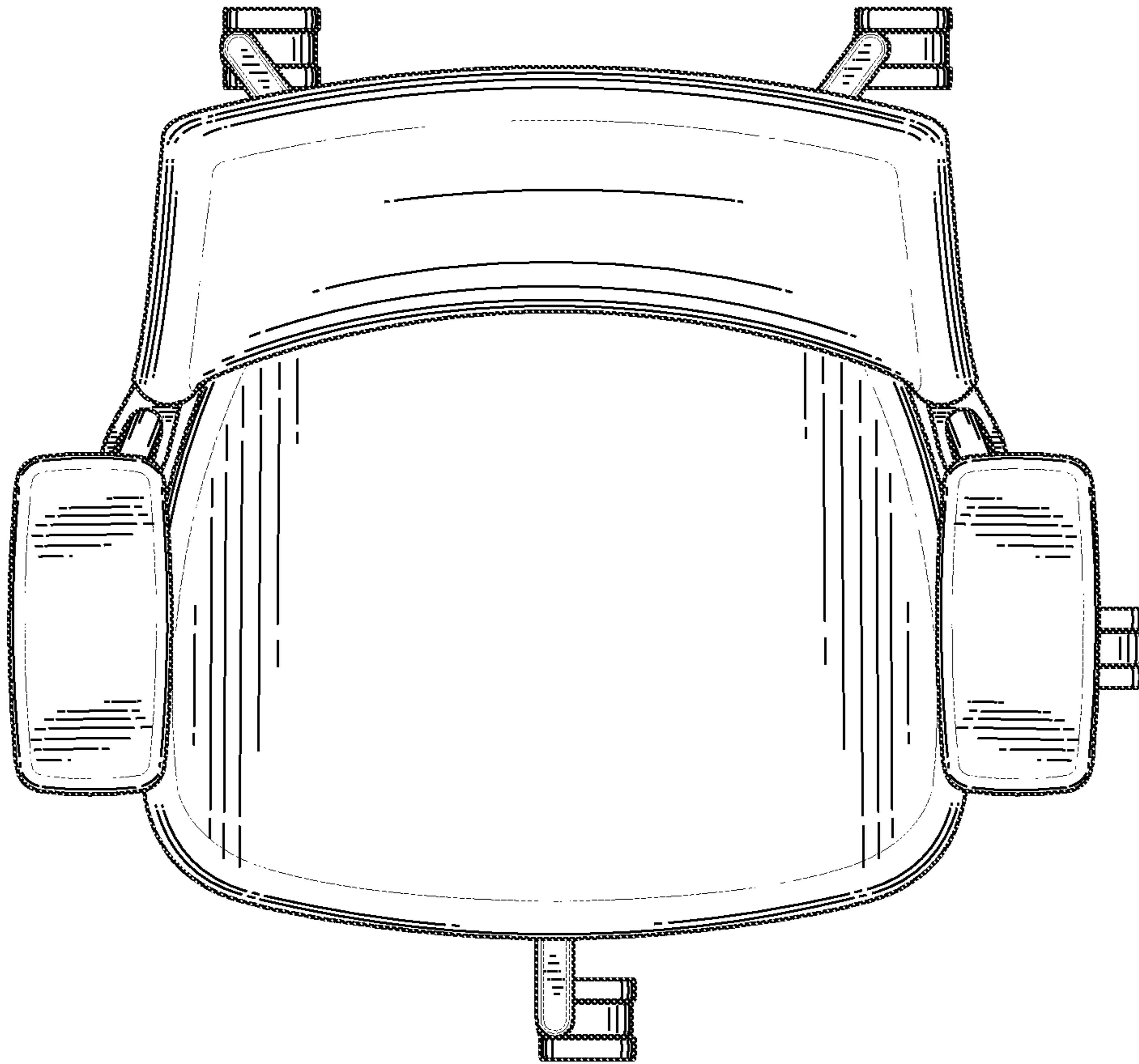


FIG. 6

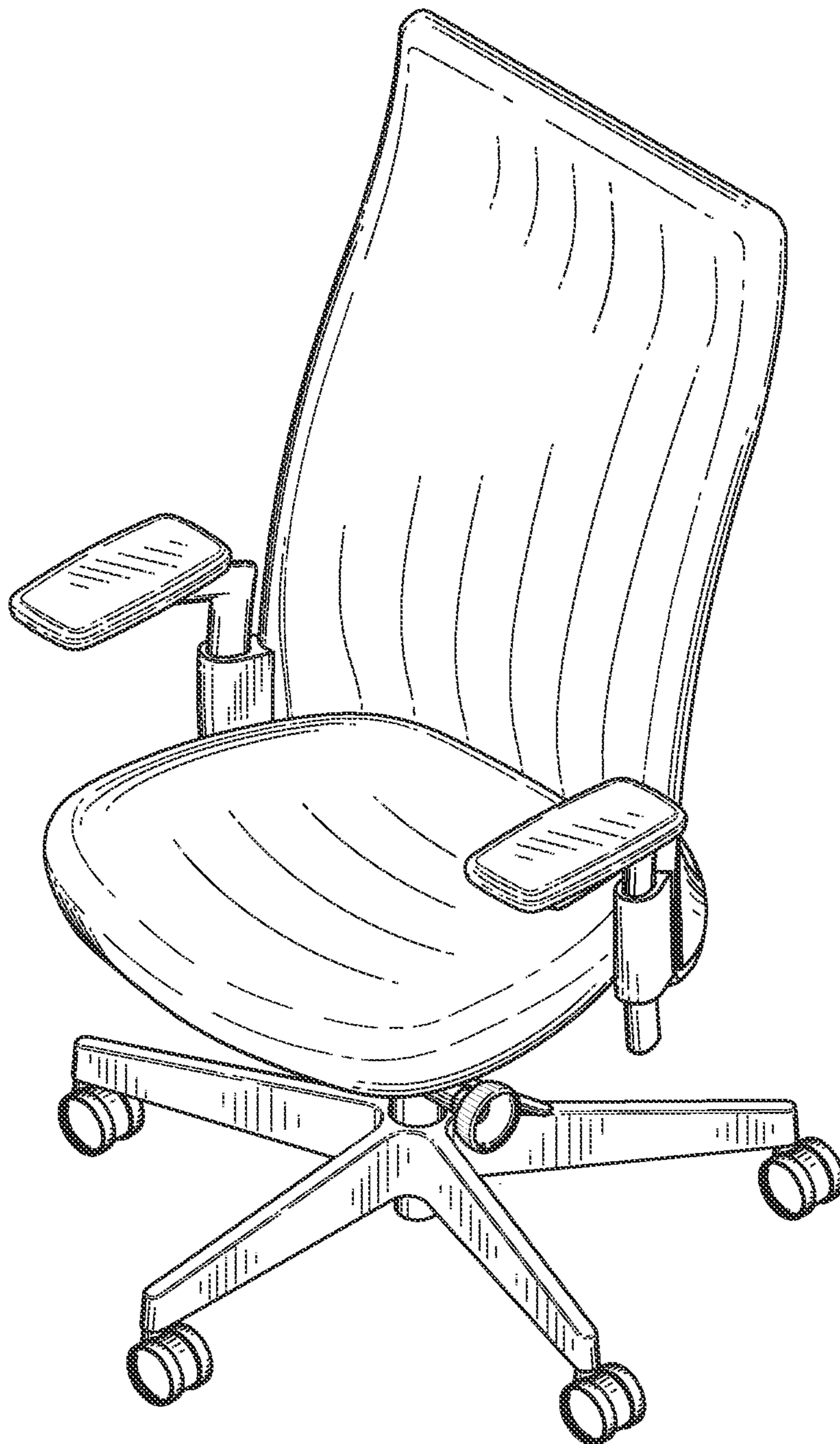


FIG. 7

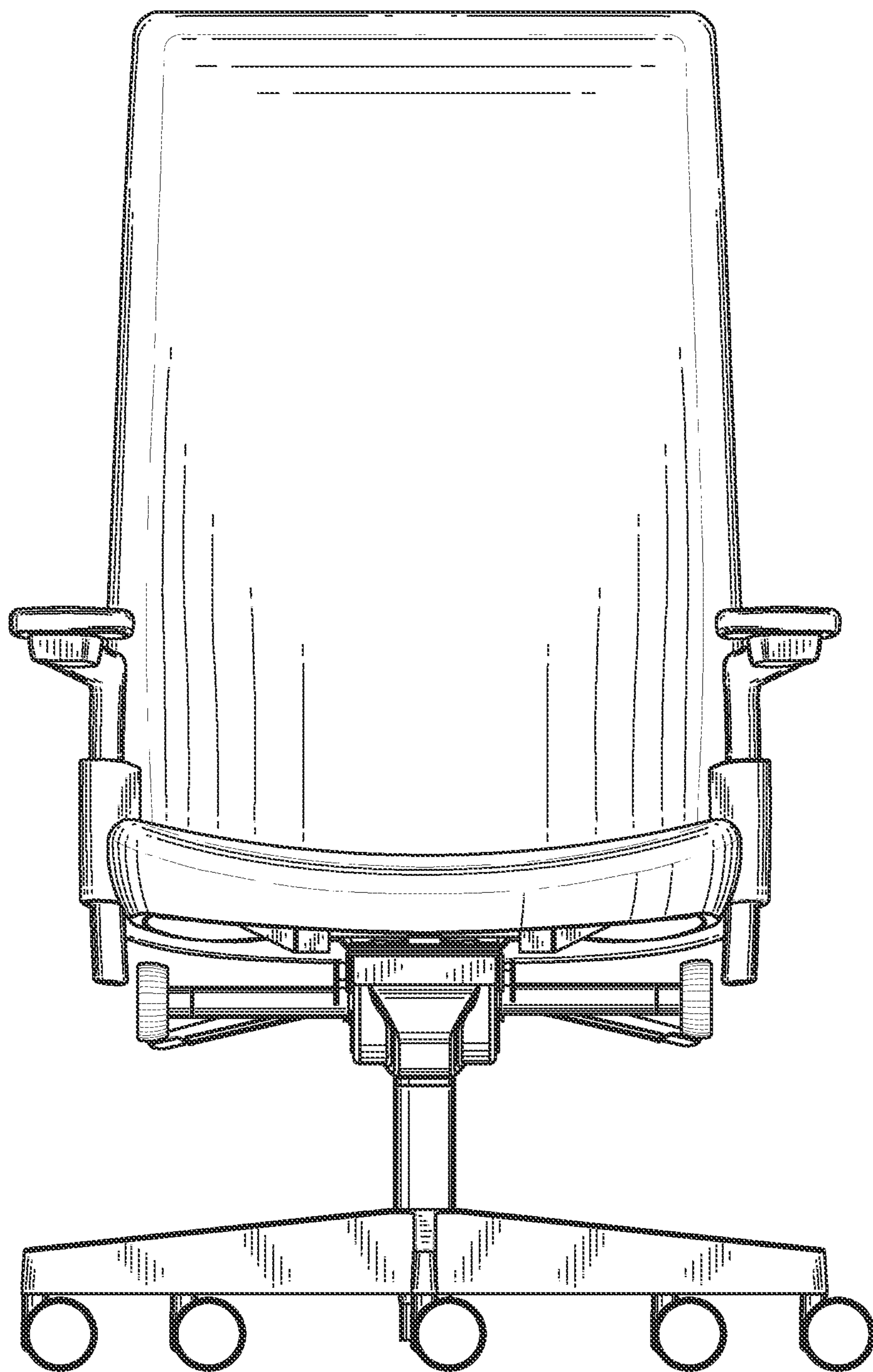


FIG. 8

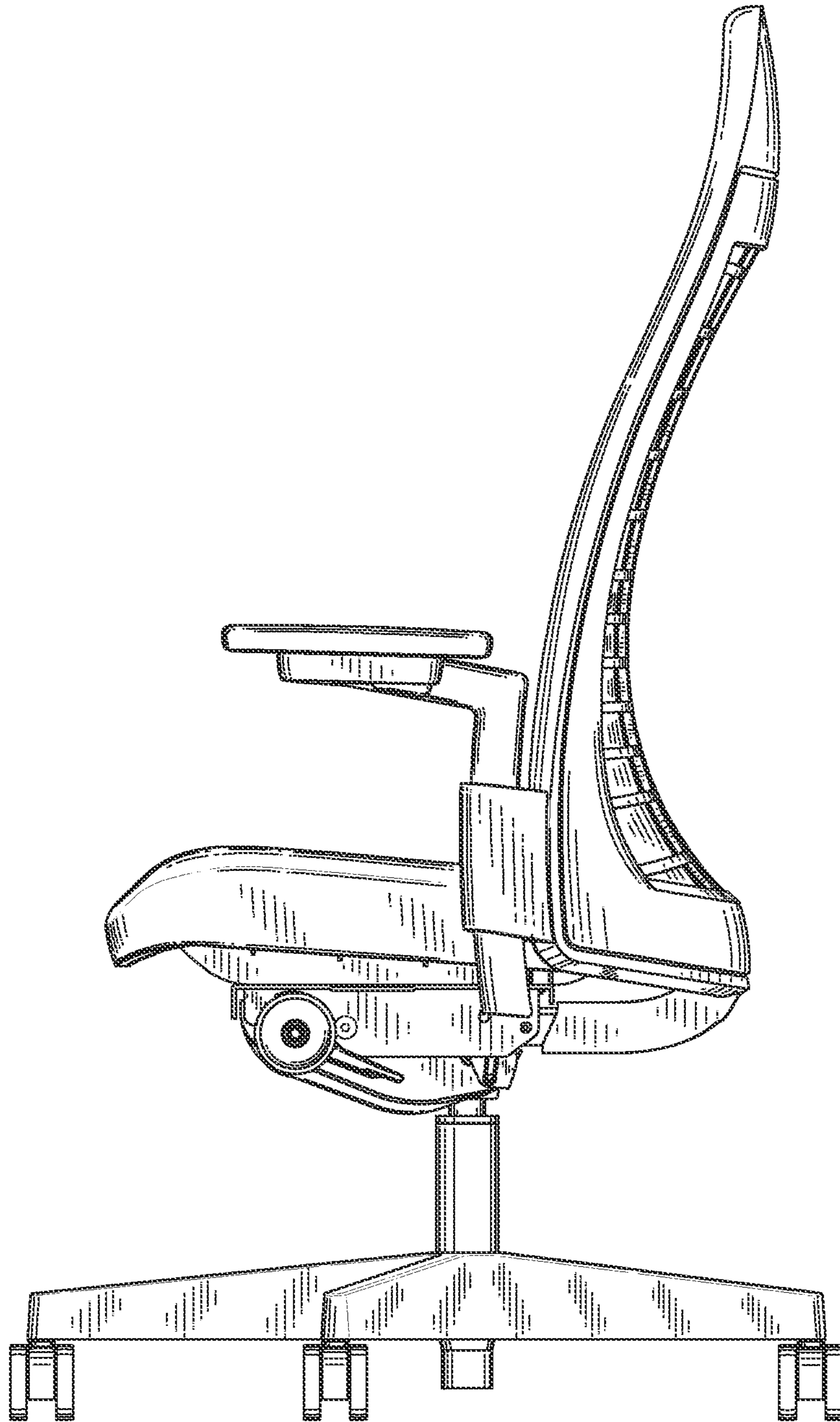


FIG. 9

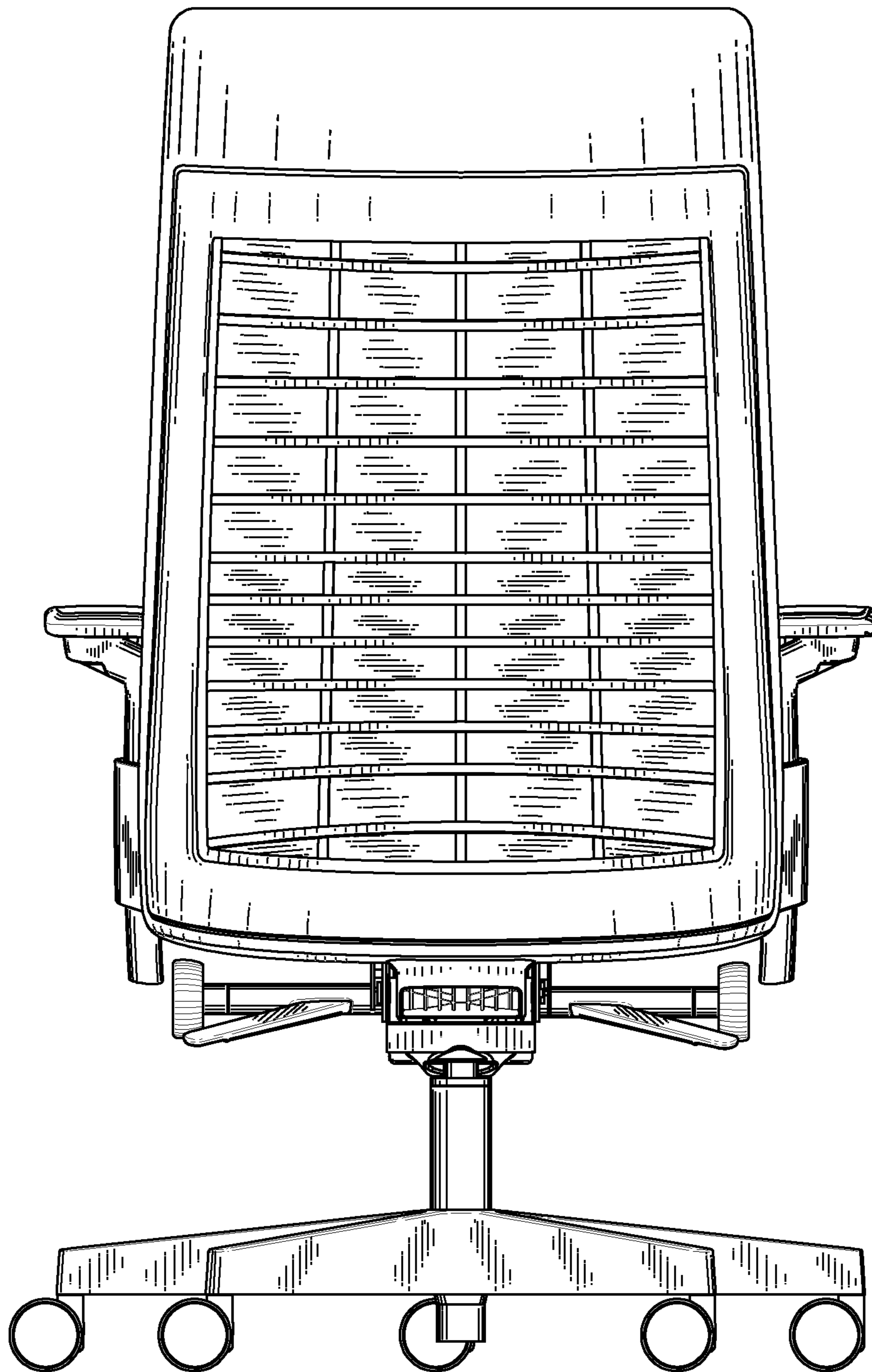


FIG. 10

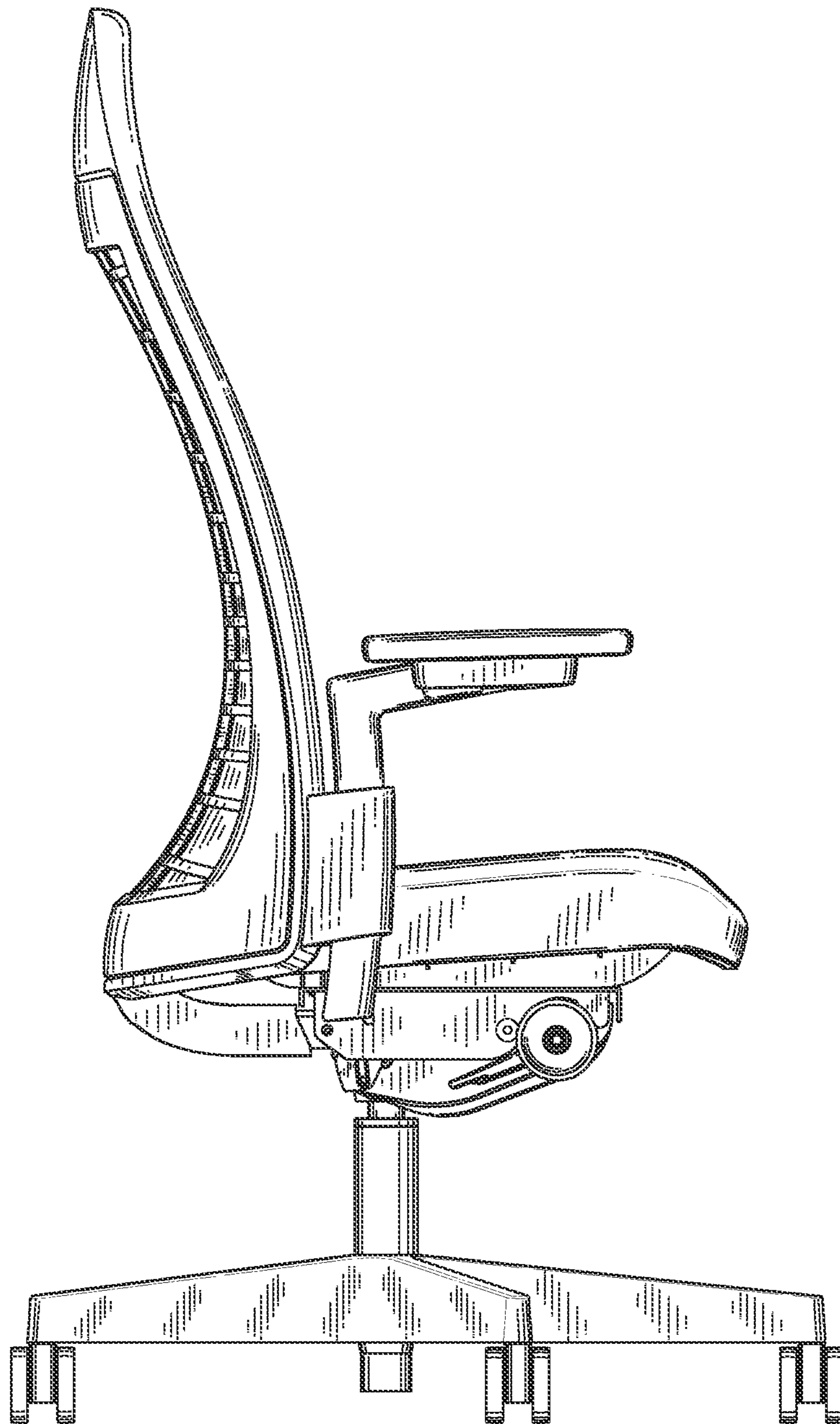


FIG. 11

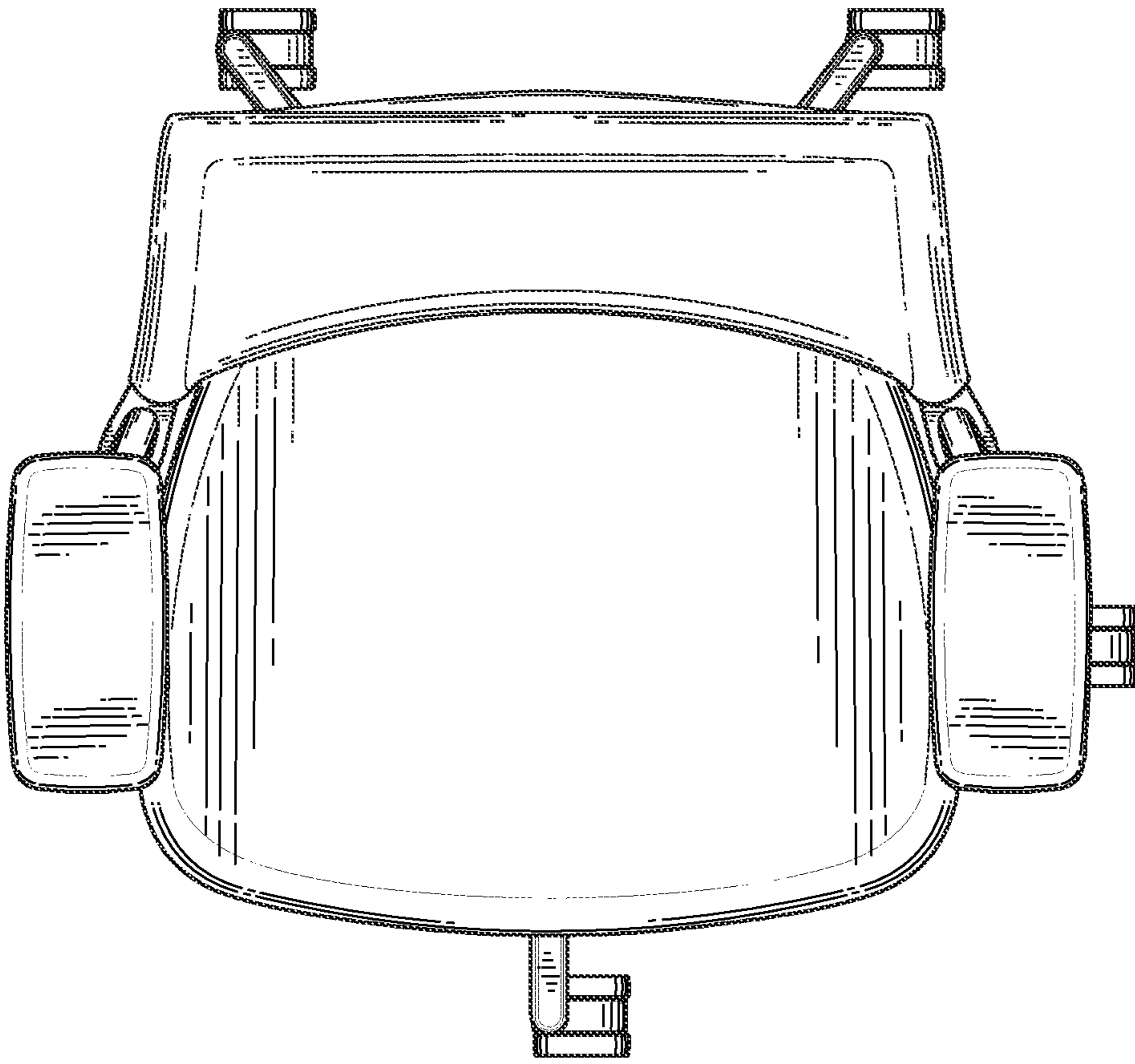


FIG. 12