



US00D742670S

(12) **United States Design Patent**
Lee et al.

(10) **Patent No.:** **US D742,670 S**
(45) **Date of Patent:** **** Nov. 10, 2015**

(54) **DUAL DISPLAY**

(71) Applicant: **SAMSUNG DISPLAY CO., LTD.**,
Yongin, Gyeonggi-Do (KR)

(72) Inventors: **Eun-Jin Lee**, Uijeongbu-si (KR); **Ji-Hye Kim**, Donam 1-dong (KR); **Min-Hyung Lee**, Yongin (KR)

(73) Assignee: **Samsung Display Co., Ltd.**, Yongin-si (KR)

(**) Term: **14 Years**

(21) Appl. No.: **29/454,310**

(22) Filed: **May 8, 2013**

(30) **Foreign Application Priority Data**

Apr. 5, 2013 (KR) 30-2013-0017618

(51) **LOC (10) Cl.** **06-06**

(52) **U.S. Cl.**
USPC **D6/707; D6/707.19**

(58) **Field of Classification Search**
USPC D6/641-643, 656, 656.1, 656.13, D6/656.14, 656.15, 656.16, 656.17, 708, D6/709, 709.2, 717, 656.11, 707.19, 314, D6/699, 700, 703, 705; 108/50.01, 50.02, 108/25; D19/1, 113; 312/194-196, 223.3; D14/305; 248/459
See application file for complete search history.

(56) **References Cited**

U.S. PATENT DOCUMENTS

1,851,906 A * 3/1932 Henderson 312/196
3,580,536 A * 5/1971 Nichols 248/459
D289,474 S * 4/1987 Underwood et al. D6/420

D300,490 S * 4/1989 Helstab D6/474
5,479,866 A * 1/1996 Rae 108/44
D370,571 S * 6/1996 Newhouse et al. D6/429
6,571,922 B1 * 6/2003 Ruhmaseder 190/11
D652,229 S 1/2012 Madison
D673,943 S * 1/2013 Huertas Moya D14/305

FOREIGN PATENT DOCUMENTS

KR 30-0451779 6/2007

OTHER PUBLICATIONS

Internet: Publication date: Nov. 24, 2010; Address: BendDesk: Multi-touch on a Curved Display (<http://www.youtube.com/watch?v=5VNTpwVvLzE>).

* cited by examiner

Primary Examiner — Janice Seeger

(74) *Attorney, Agent, or Firm* — Christie, Parker & Hale, LLP

(57) **CLAIM**

The ornamental design for a dual display, as shown and described.

DESCRIPTION

FIG. 1 is a front perspective view of a dual display; FIG. 2 is a front view thereof; FIG. 3 is a rear view thereof; FIG. 4 is a left side view thereof; FIG. 5 is a right side view thereof; FIG. 6 is a top view thereof; FIG. 7 is a bottom view thereof; and, FIG. 8 is an exemplary diagram of a use of the dual display, in which a musical score and a keyboard are displayed on a display unit.
The broken lines in the drawings are for illustrative purpose only and form no part of the claimed design.

1 Claim, 7 Drawing Sheets

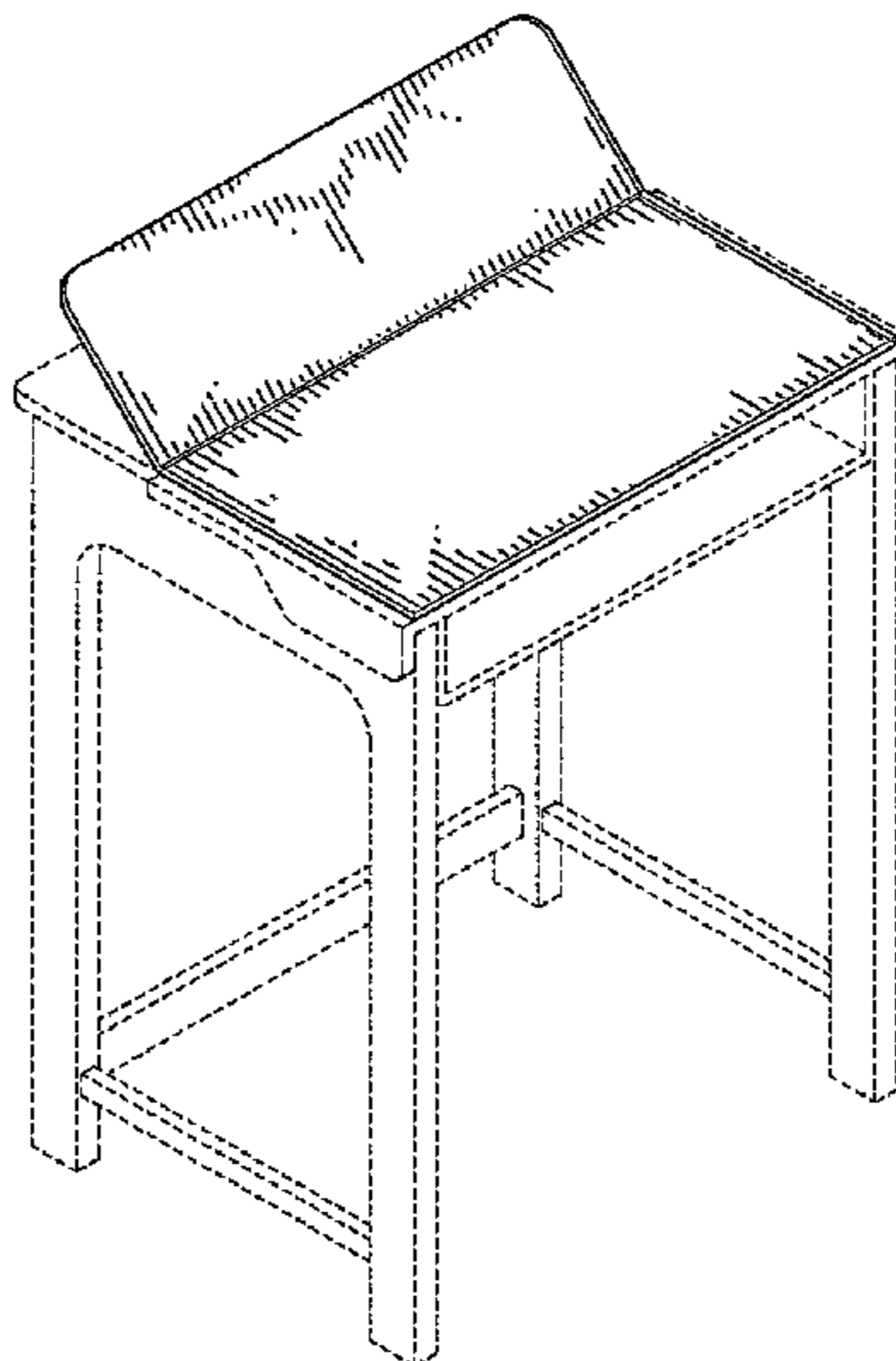


FIG. 1

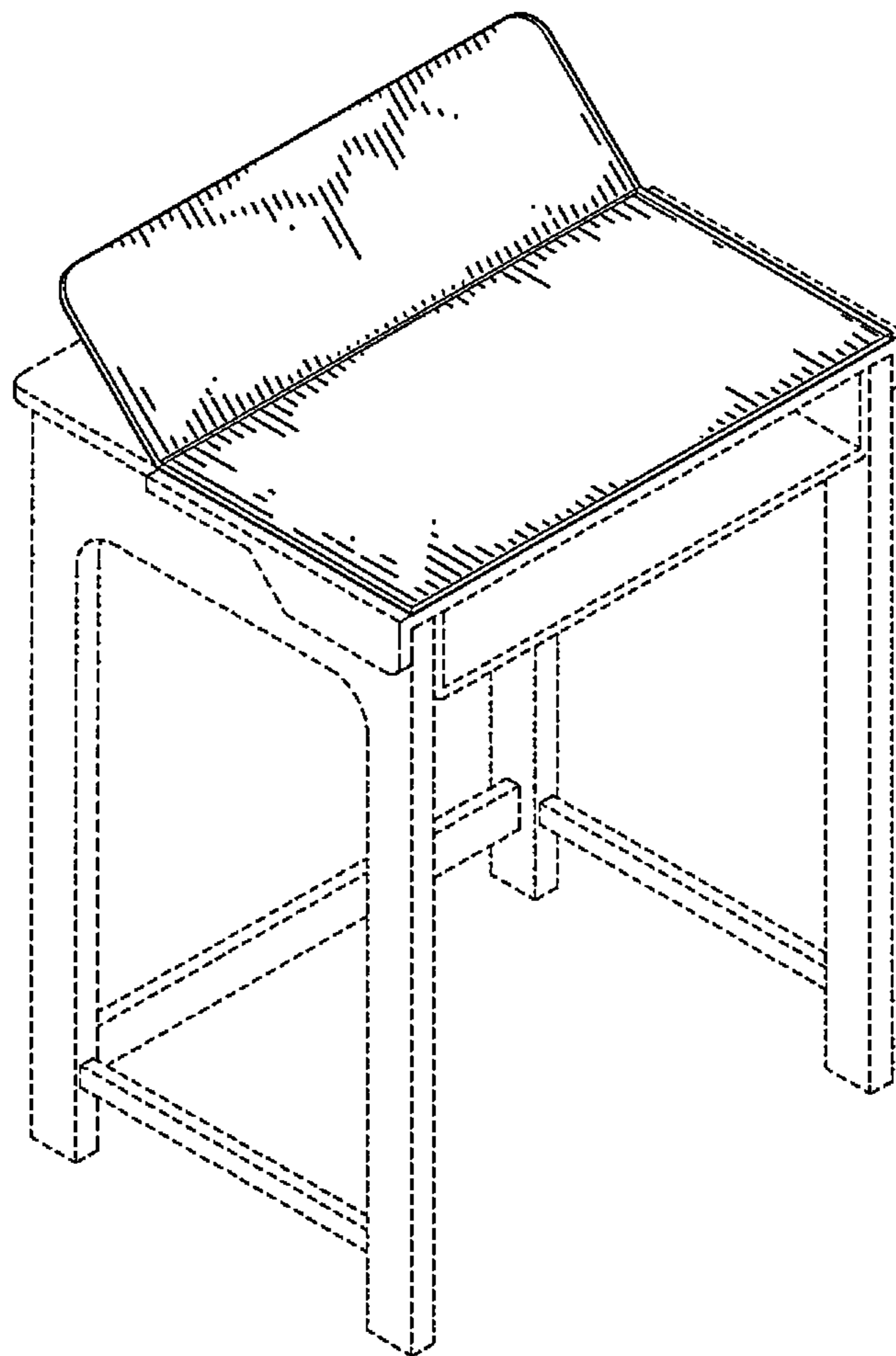


FIG. 2

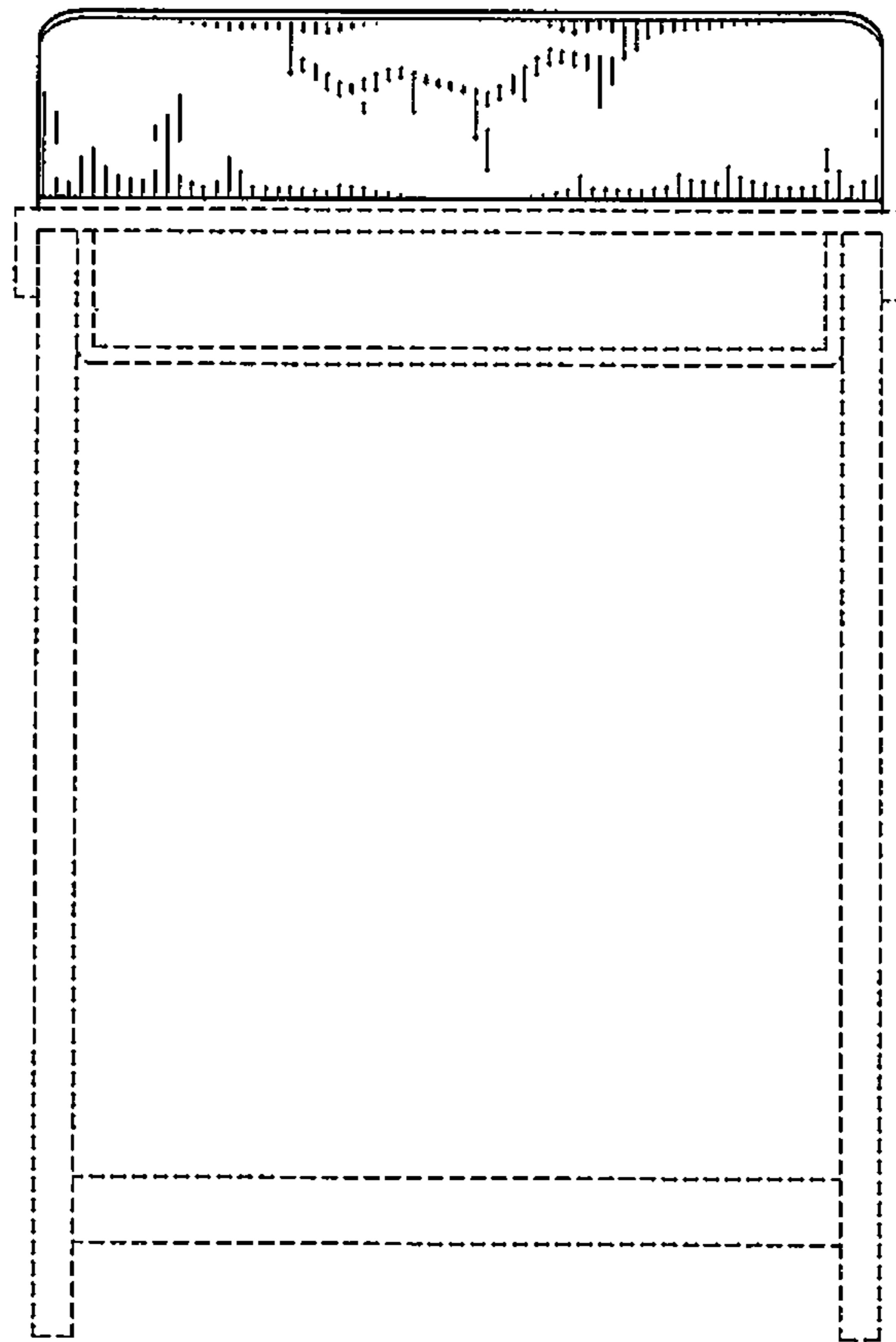


FIG. 3

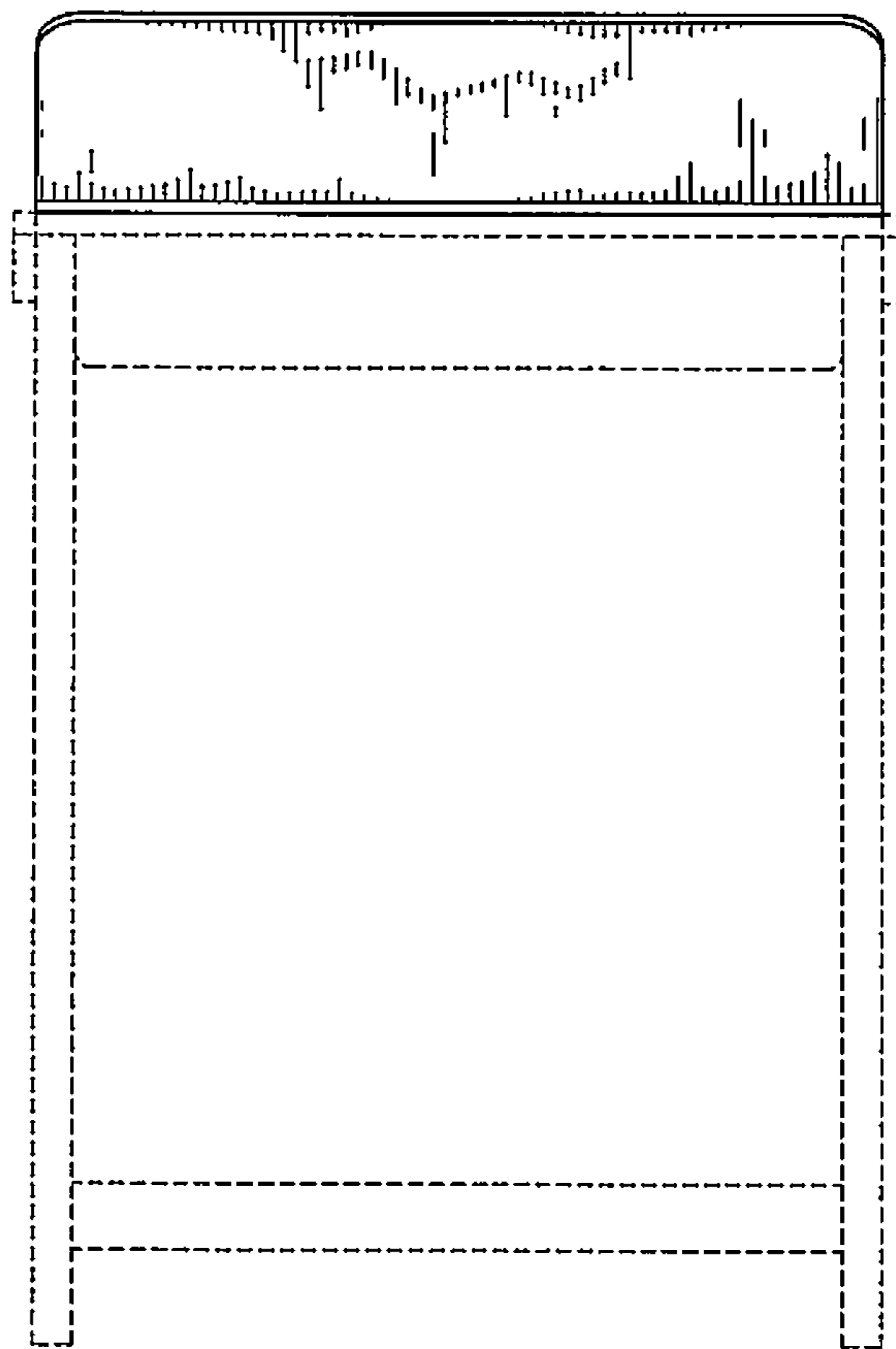


FIG. 4

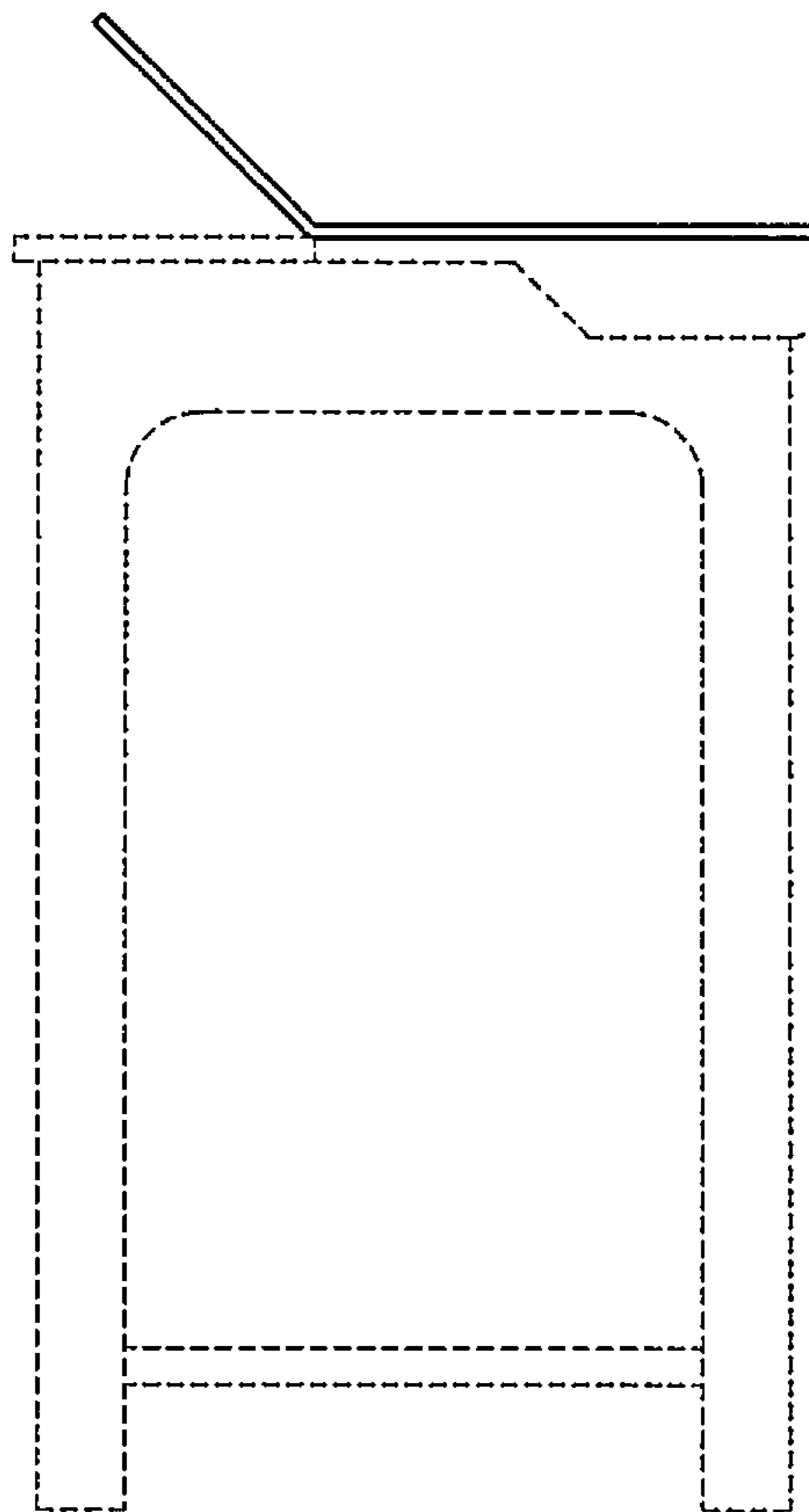


FIG. 5

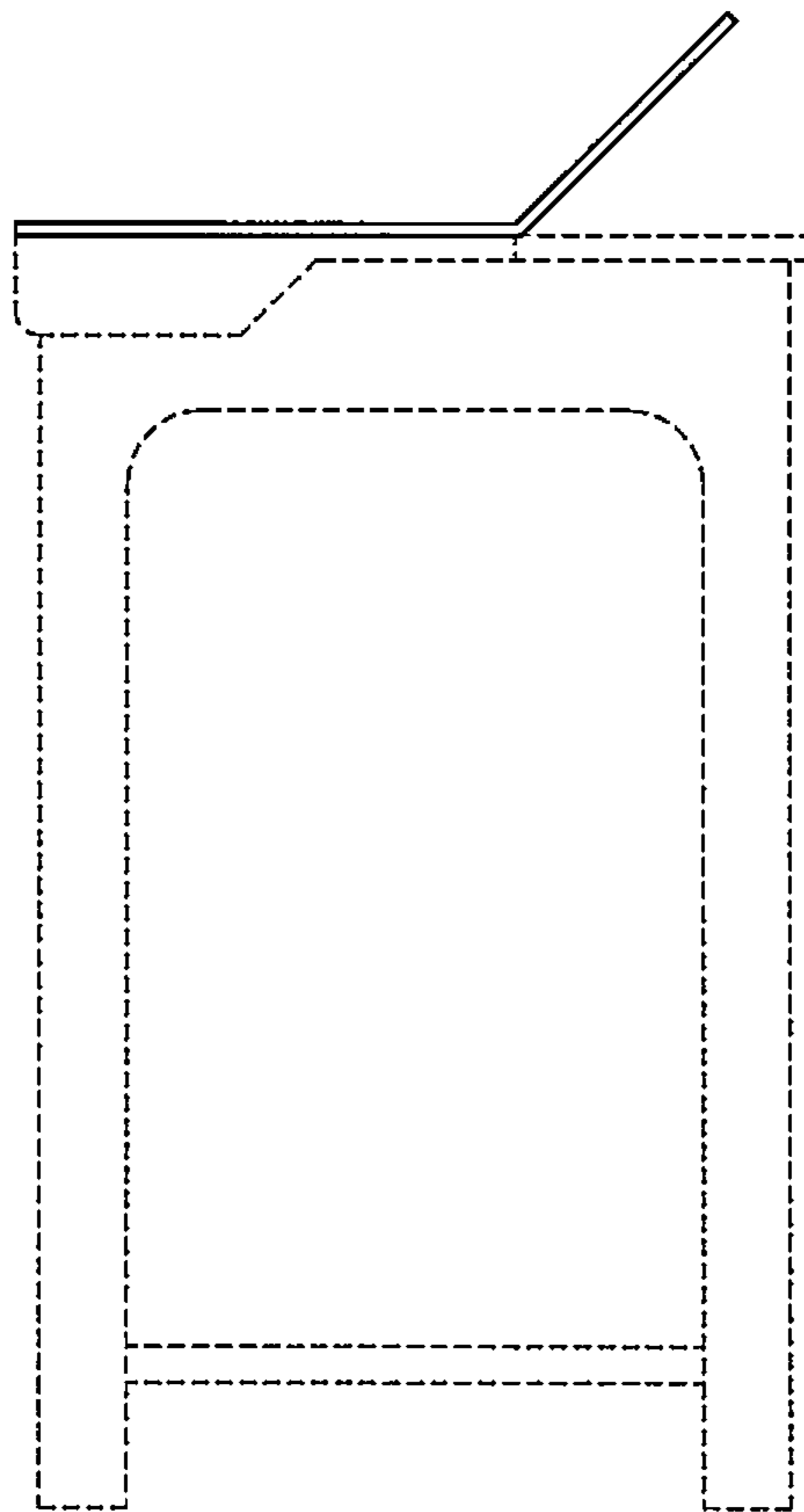


FIG. 6

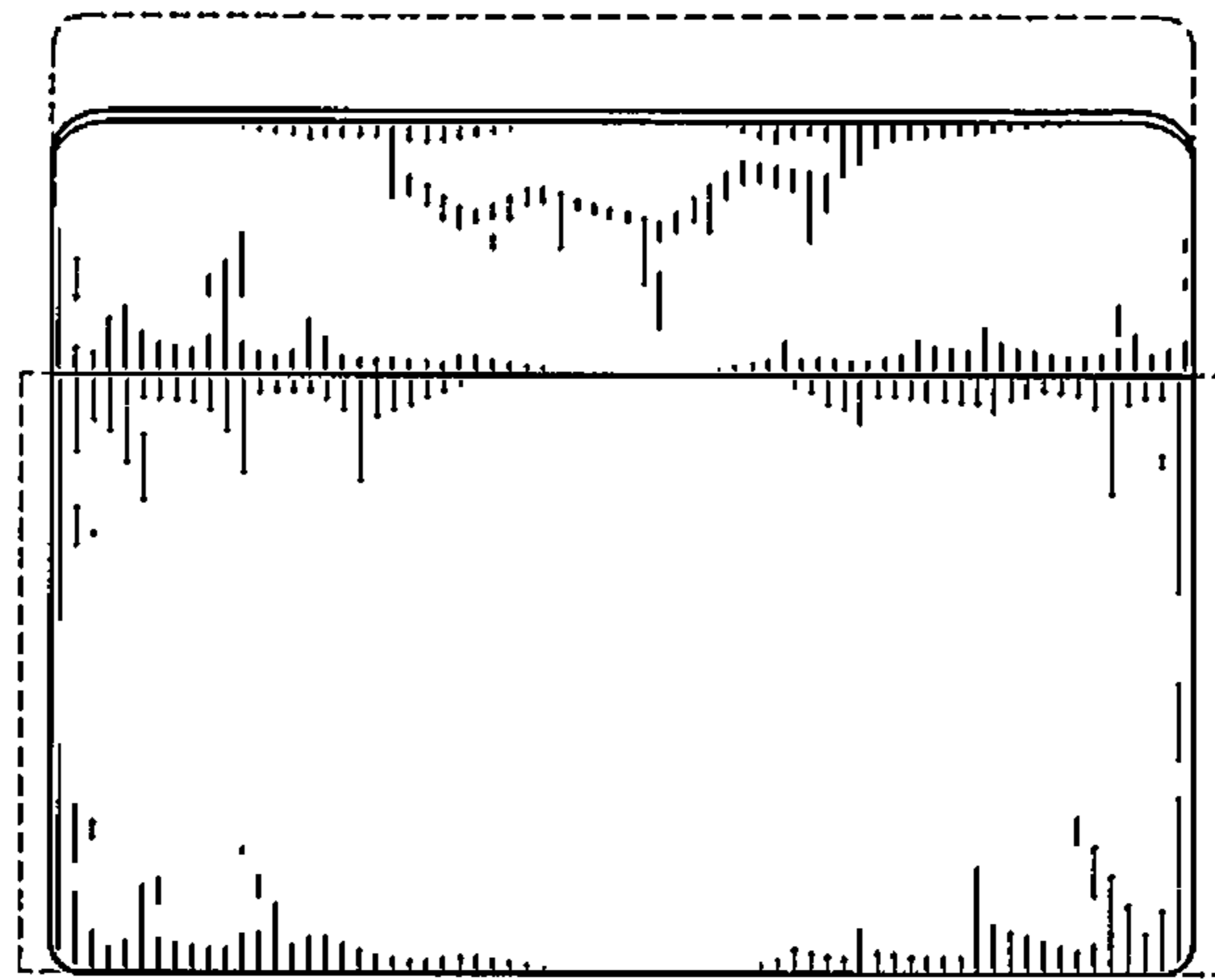


FIG. 7

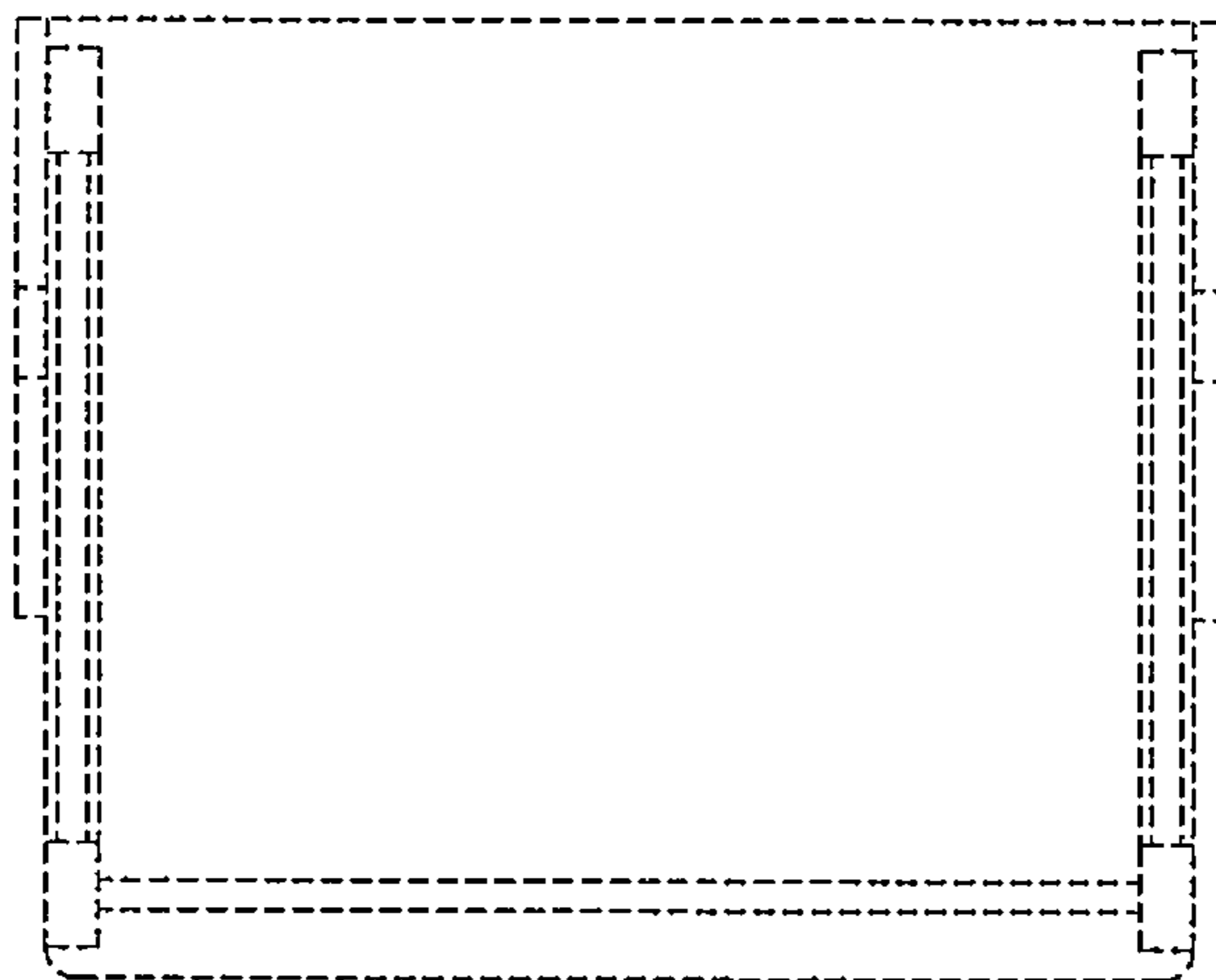


FIG. 8

