



US00D742668S

(12) **United States Design Patent**  
**Troyner et al.**

(10) **Patent No.:** **US D742,668 S**  
(45) **Date of Patent:** **\*\* Nov. 10, 2015**

(54) **PANEL FOR A TOOL CHEST HAVING A TRANSPARENT PORTION**

(71) Applicant: **Edsal Manufacturing Co., Inc.**,  
Chicago, IL (US)

(72) Inventors: **Anthony J. Troyner**, Shorewood, IL (US); **David J. Wojtowicz**, Orland Park, IL (US); **Scott Fitzgerald**, Lowell, IN (US)

(73) Assignee: **Edsal Manufacturing Company, Inc.**,  
Chicago, IL (US)

(\*\*) Term: **14 Years**

(21) Appl. No.: **29/468,669**

(22) Filed: **Oct. 2, 2013**

(51) **LOC (10) Cl.** ..... **06-04**

(52) **U.S. Cl.**  
USPC ..... **D6/705.5**

(58) **Field of Classification Search**  
USPC ..... D3/279, 283–284, 286, 297, 318–319, D3/905; D6/662, 663, 664.1, 668, 668.1, D6/668.2, 669, 671, 671.1, 671.2, 671.3, D6/671.4, 705, 705.5; D34/19, 20, 21  
CPC ..... A47B 49/00; A47B 49/002; A47B 67/00; A47B 67/04; A47B 87/02; A47B 88/04; A47B 88/0411; A47B 88/20; A47B 2210/00; A47B 2210/004; A47B 2210/0078; A47B 2210/0008; A47F 3/00; B62B 3/00; B25H 3/00; B25H 3/003; B25H 3/006; B25H 3/02; B25H 3/021; B25H 3/028; B25H 3/04  
See application file for complete search history.

(56) **References Cited**

**U.S. PATENT DOCUMENTS**

D218,080 S \* 7/1970 Sierzega ..... D3/297  
D281,748 S \* 12/1985 Kiiski ..... D6/671.1  
D286,714 S \* 11/1986 Verholt ..... D6/671.1  
D430,426 S \* 9/2000 Bieker et al. .... D6/671.1  
D568,078 S \* 5/2008 Kohagen et al. .... D6/705.5  
D573,792 S \* 7/2008 Hand ..... D3/297

D574,629 S \* 8/2008 Kalkwarf ..... D6/671.1  
D586,163 S \* 2/2009 Hand ..... D6/705.5  
D587,013 S \* 2/2009 Hand  
D587,014 S \* 2/2009 Hand ..... D3/318  
D719,771 S \* 12/2014 Bergum ..... D6/705.5  
D723,841 S \* 3/2015 Troyner et al. .... D6/671.2  
2007/0063624 A1\* 3/2007 Liao ..... 312/282  
2007/0274042 A1\* 11/2007 Jackson et al. .... 361/695

**FOREIGN PATENT DOCUMENTS**

TW 536173 6/2003  
TW D127441 2/2009  
TW D134058 4/2010

\* cited by examiner

*Primary Examiner* — Ricky Pham

(74) *Attorney, Agent, or Firm* — Wood, Herron & Evans, LLP

(57) **CLAIM**

The ornamental design for a panel for a tool chest having a transparent portion, as shown and described.

**DESCRIPTION**

FIG. 1 is a front isometric view of a first embodiment of our new, original and ornamental design;  
FIG. 2 is another front isometric view thereof;  
FIG. 3 is a front side view, the rear side view being a mirror image thereof;  
FIG. 4 is an enlarged right side view, the left side view being a mirror image thereof;  
FIG. 5 is a top side view thereof;  
FIG. 6 is a bottom side view thereof;  
FIG. 7 is a front isometric view of a second embodiment of our new, original and ornamental design;  
FIG. 8 is another front isometric view thereof;  
FIG. 9 is a front side view, the rear side view being a mirror image thereof;  
FIG. 10 is an enlarged right side view, the left side view being a mirror image thereof;  
FIG. 11 is a top side view thereof;  
FIG. 12 is a bottom side view thereof;  
FIG. 13 is a front isometric view of a third embodiment of our new, original and ornamental design;  
FIG. 14 is another front isometric view thereof;

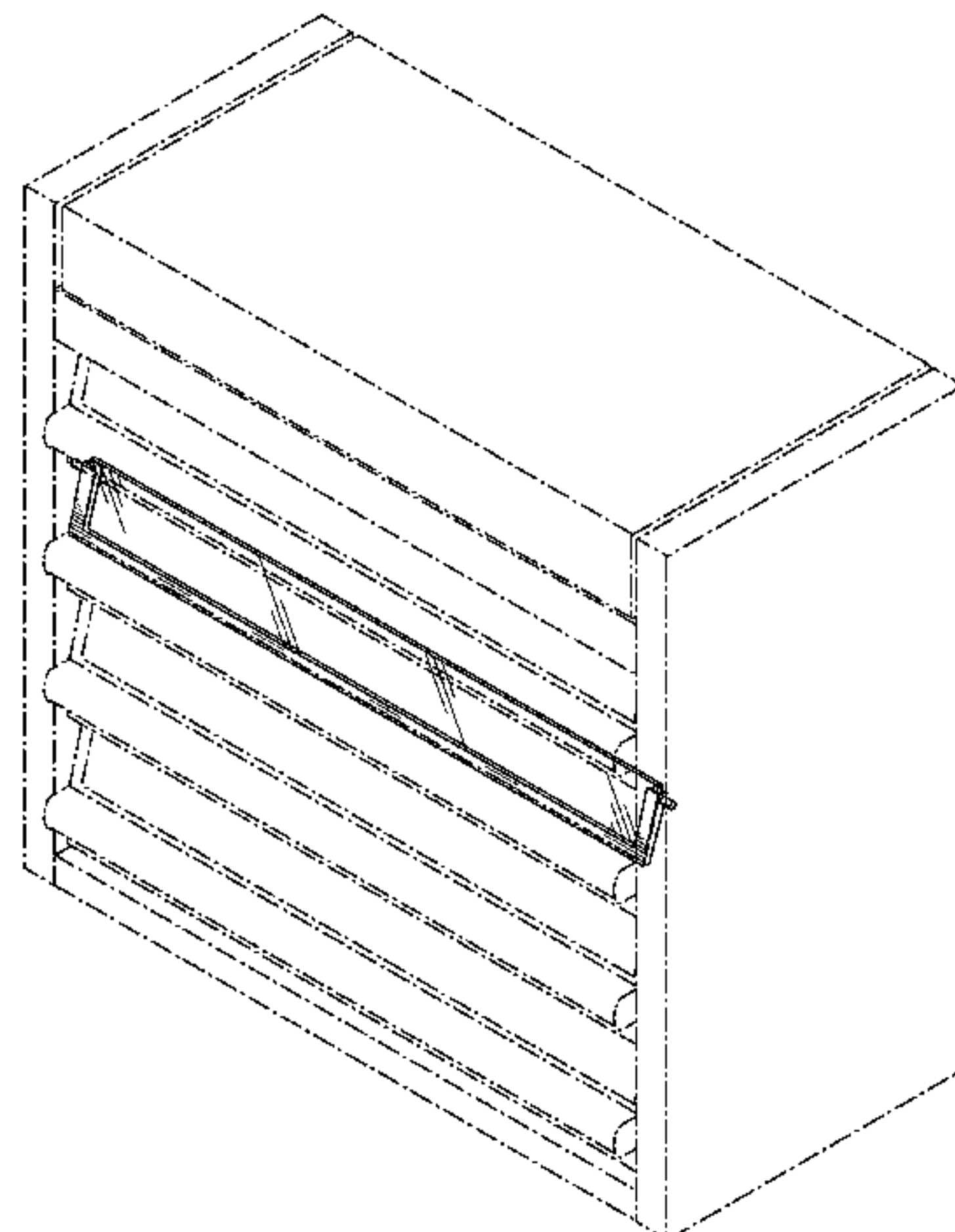


FIG. **15** is a front side view, the rear side view being a mirror image thereof;

FIG. **16** is an enlarged right side view, the left side view being a mirror image thereof;

FIG. **17** is a top side view thereof;

FIG. **18** is a bottom side view thereof;

FIG. **19** is a front isometric view of a fourth embodiment of our new, original and ornamental design;

FIG. **20** is another front isometric view thereof;

FIG. **21** is a front side view, the rear side view being a mirror image thereof;

FIG. **22** is an enlarged right side view, the left side view being a mirror image thereof;

FIG. **23** is a top side view thereof; and,

FIG. **24** is a bottom side view thereof.

The broken dash lines in the panel for a tool chest having a transparent portion illustrate an indeterminate dimension in the length or height of the claimed design while the broken dot-dash lines are directed to environment and are for illustrative purposes only. The broken dash lines and broken dot-dash lines form no part of the claimed design. Additionally, the unshown portion of the panel for a tool chest having a transparent portion forms no part of the claimed design.

**1 Claim, 16 Drawing Sheets**

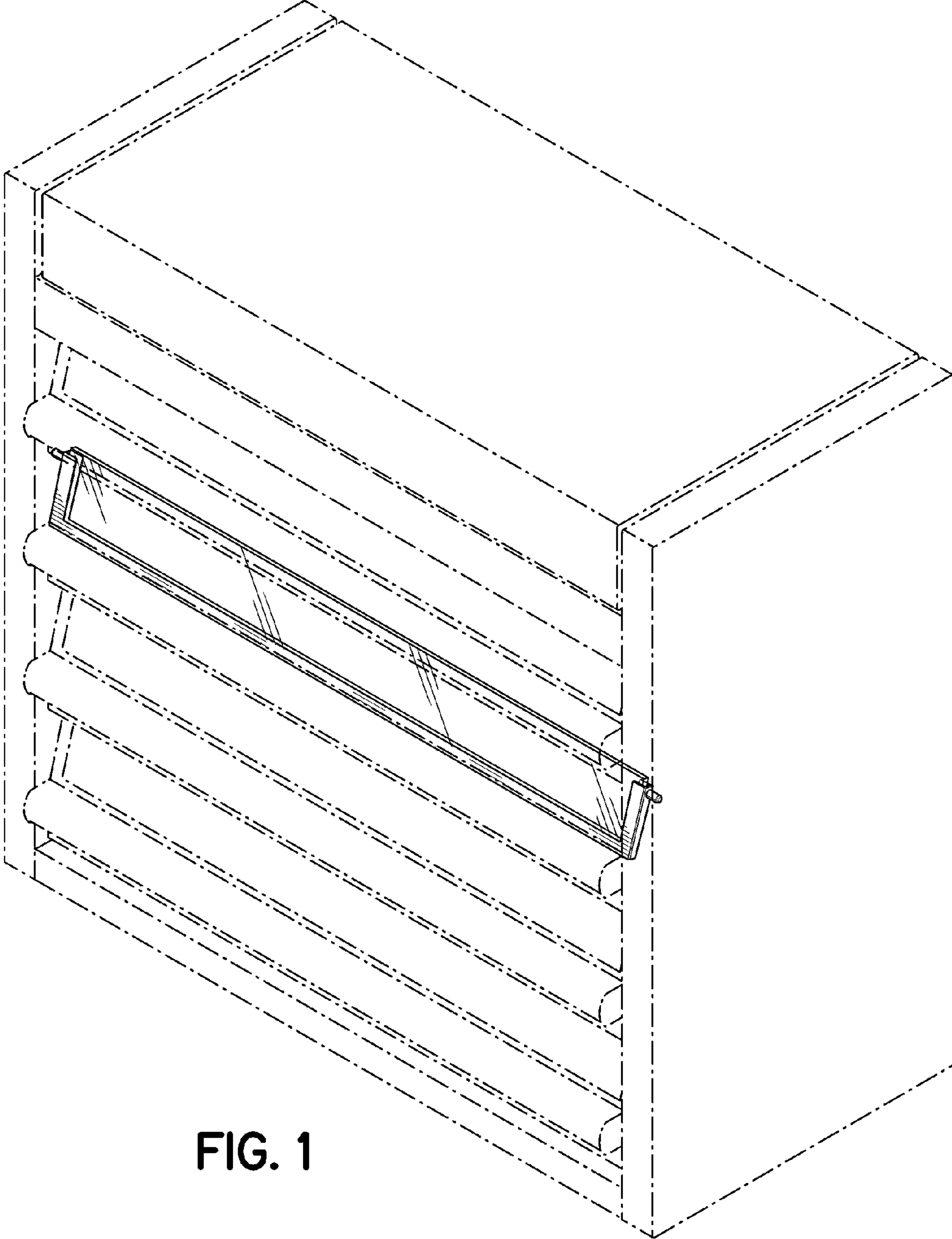


FIG. 1

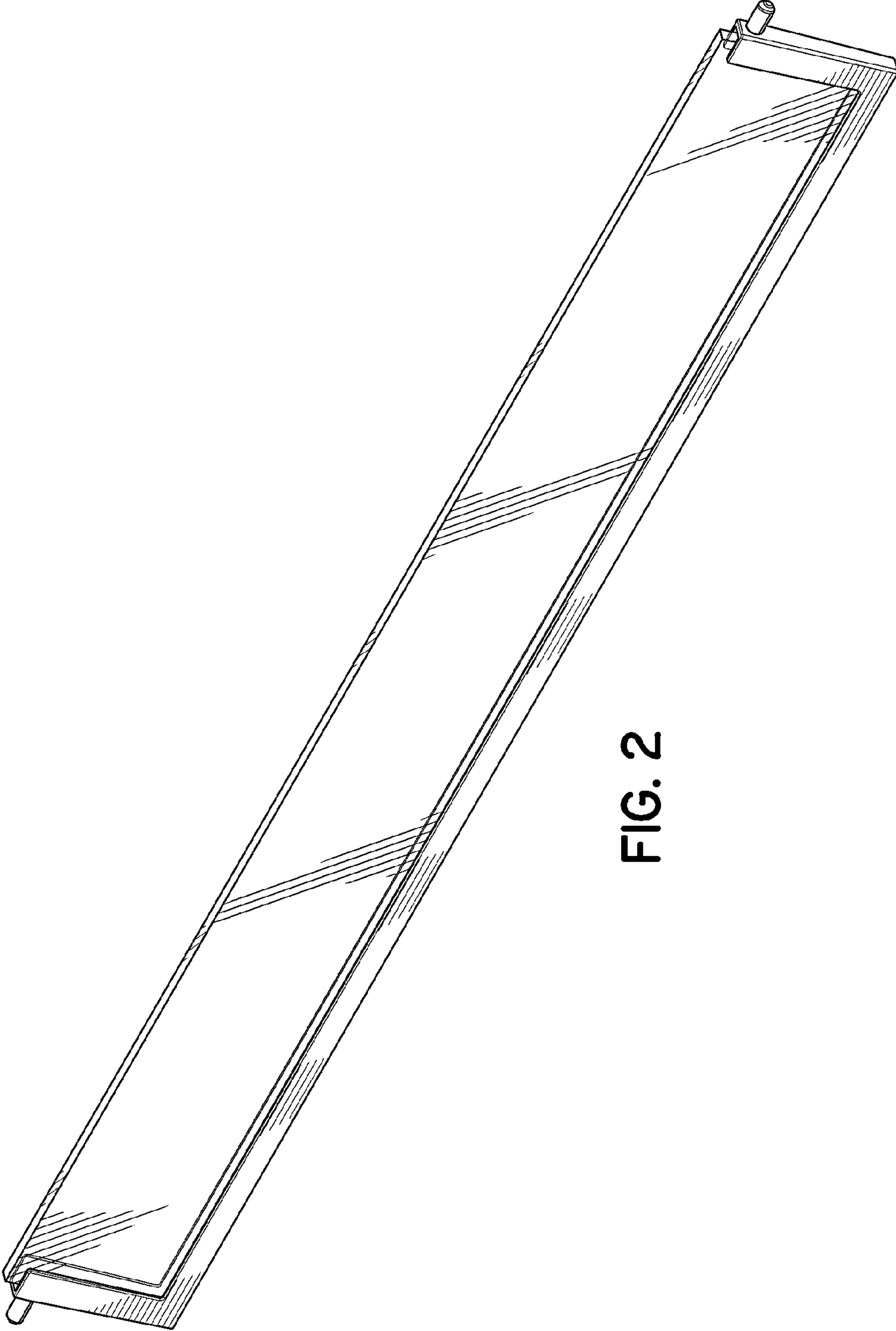


FIG. 2



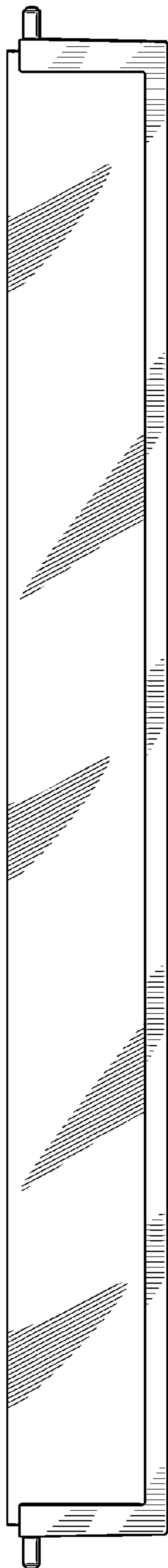


FIG. 3



FIG. 4



FIG. 5



FIG. 6

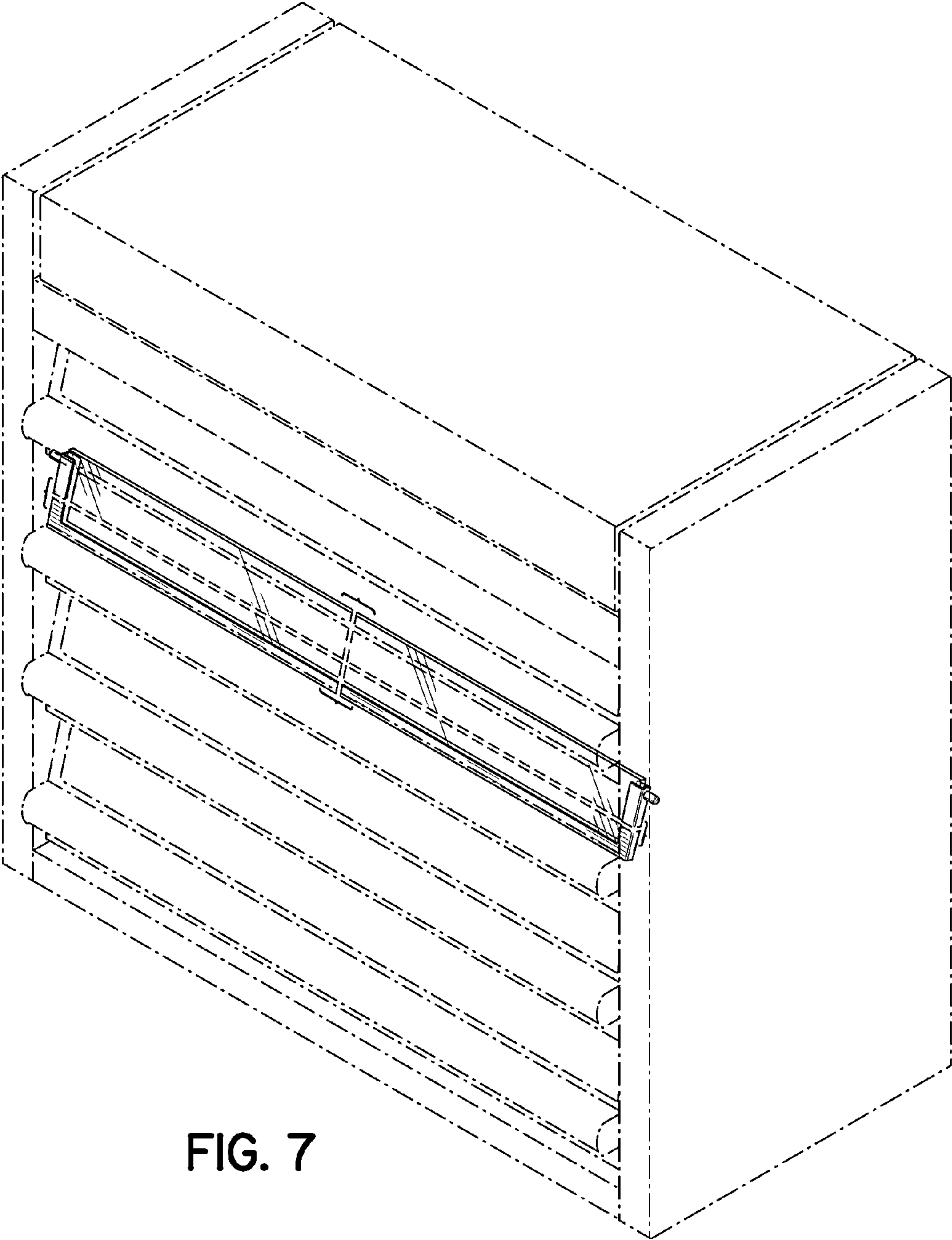


FIG. 7

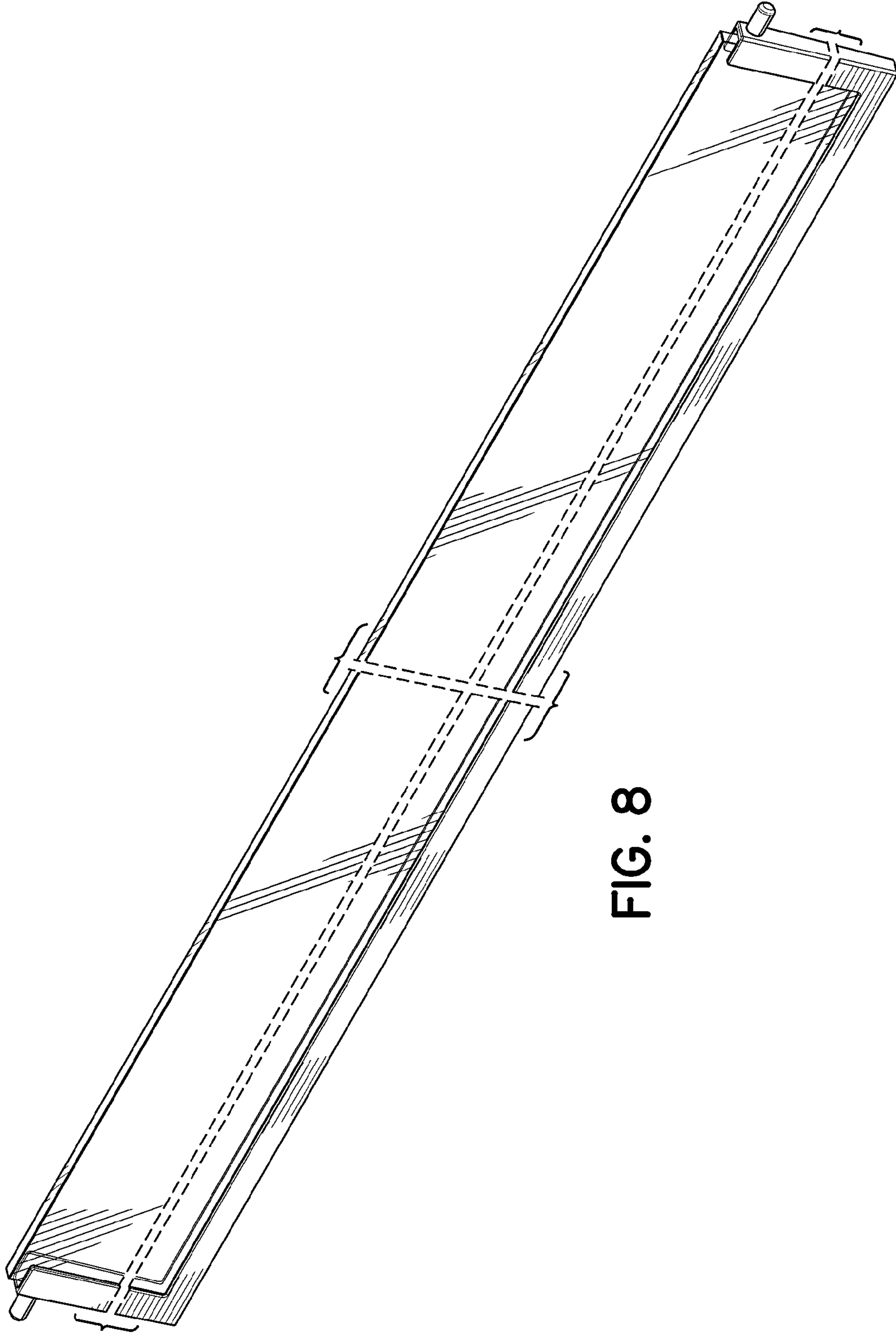


FIG. 8



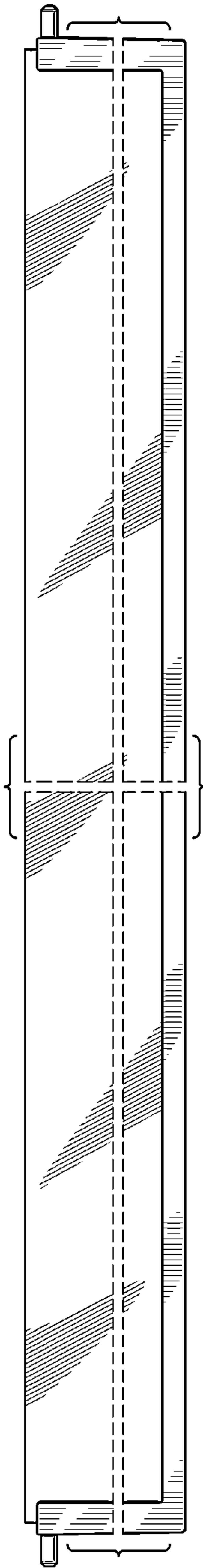


FIG. 9

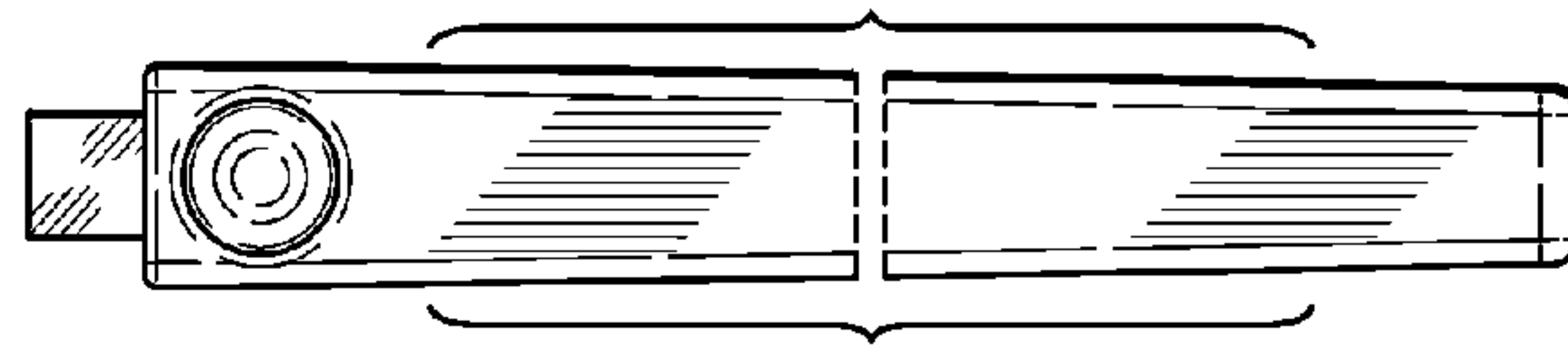


FIG. 10



FIG. 11



FIG. 12

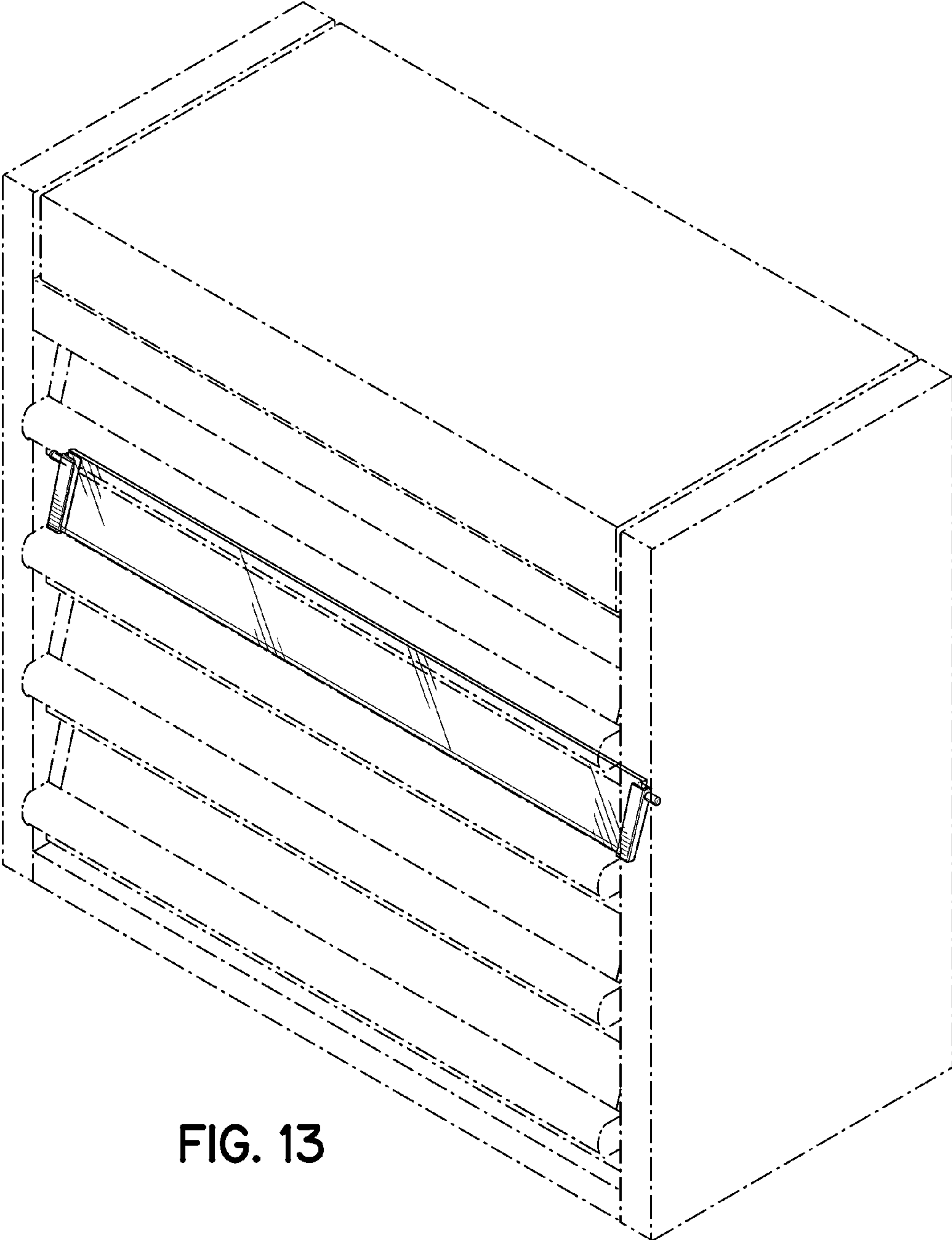


FIG. 13

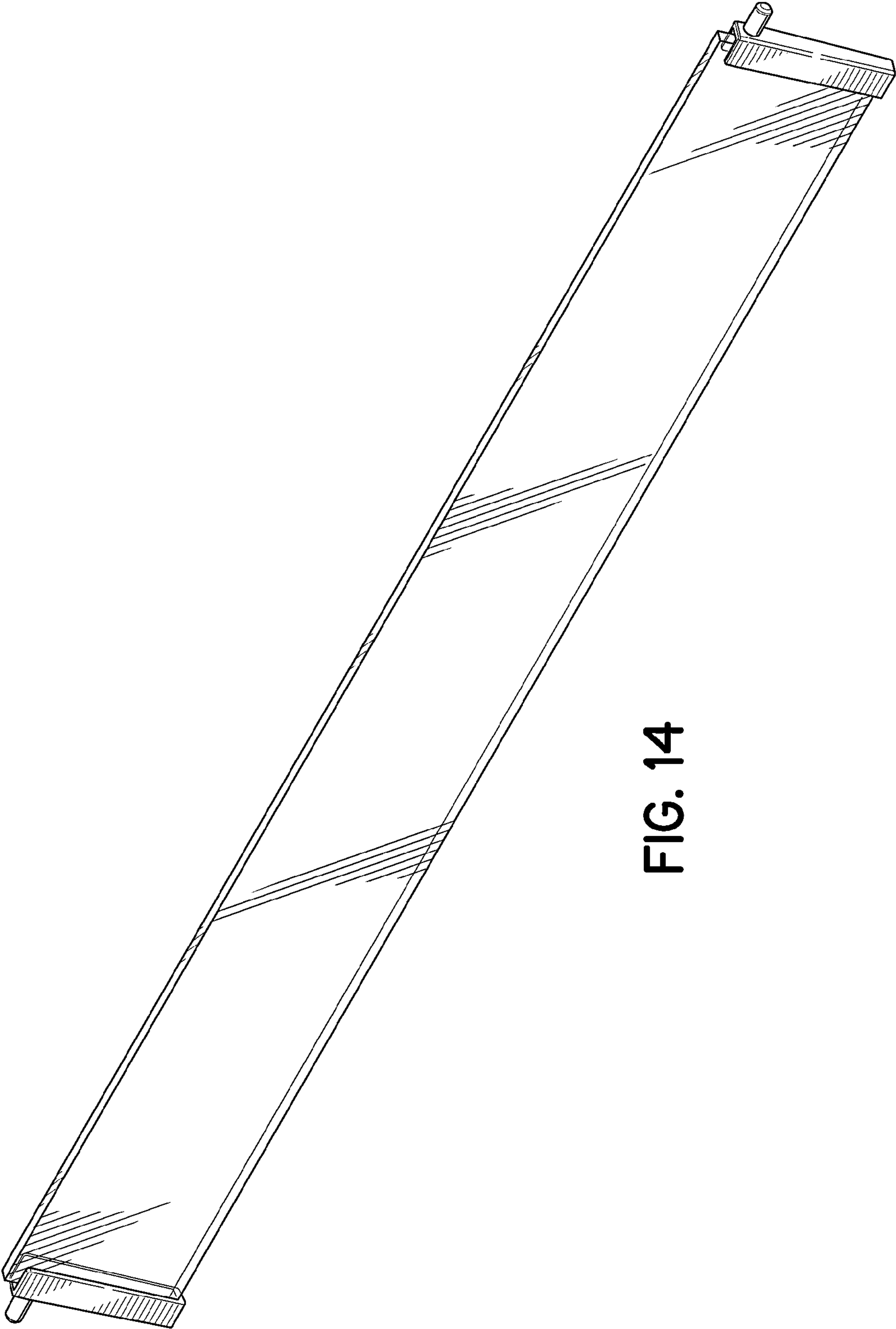


FIG. 14

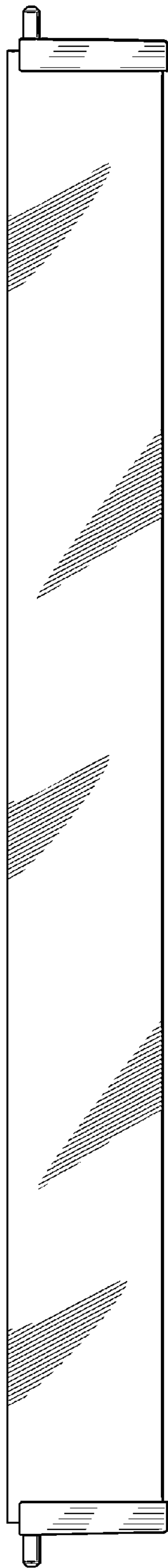


FIG. 15

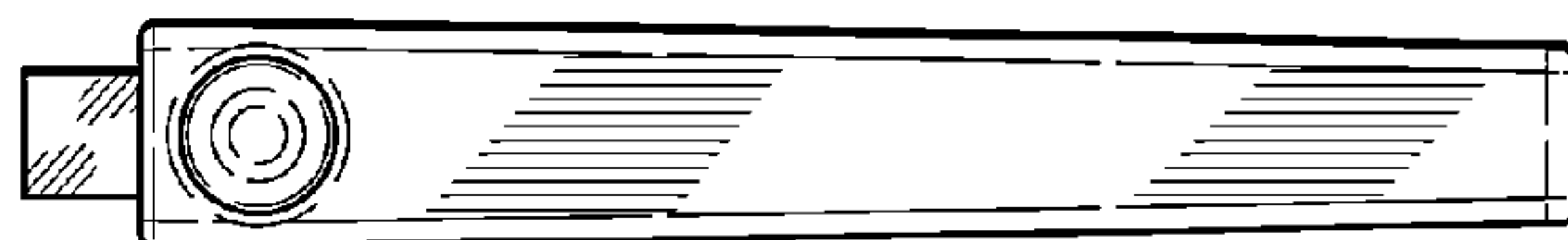


FIG. 16





FIG. 17



FIG. 18

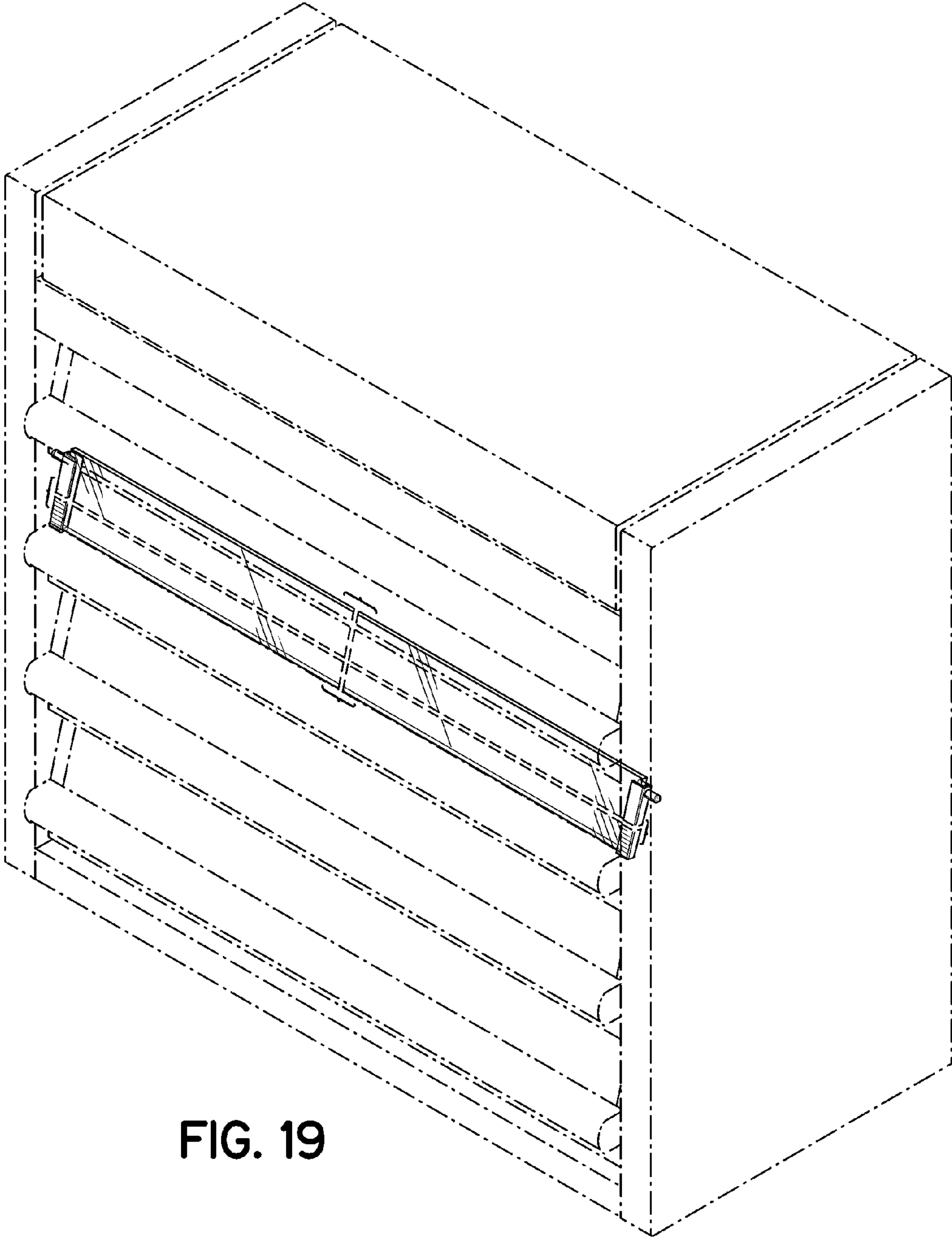


FIG. 19

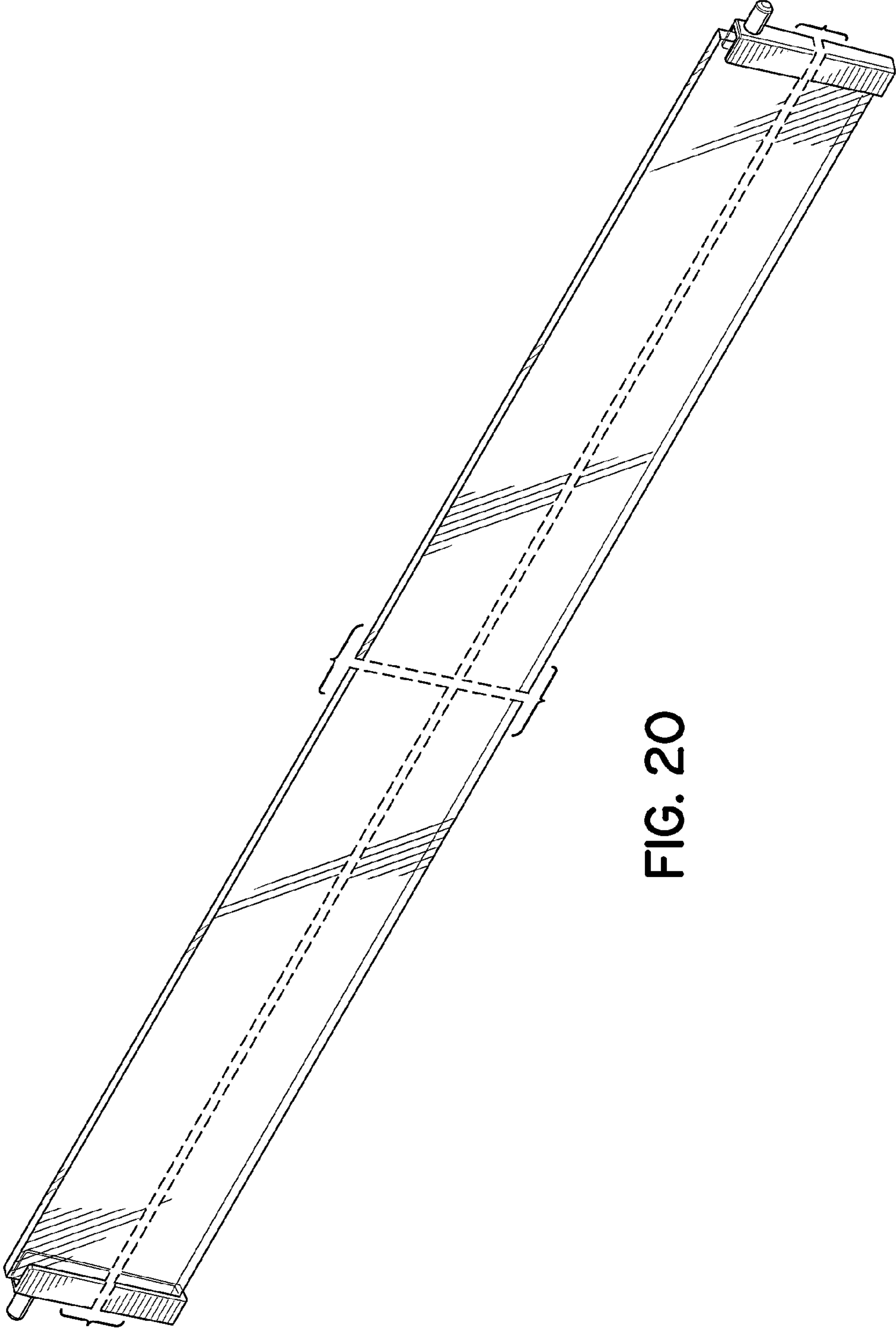


FIG. 20

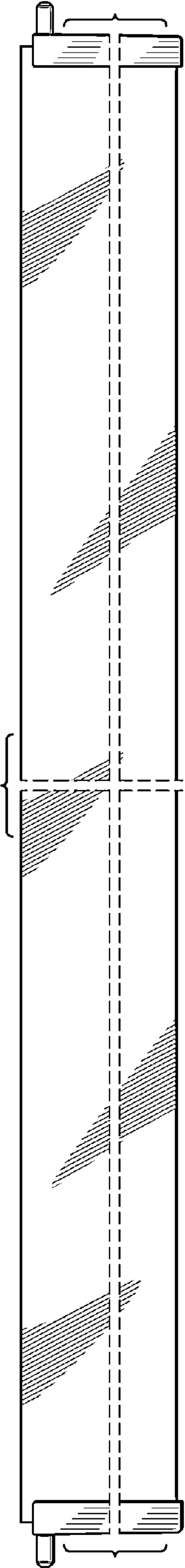


FIG. 21

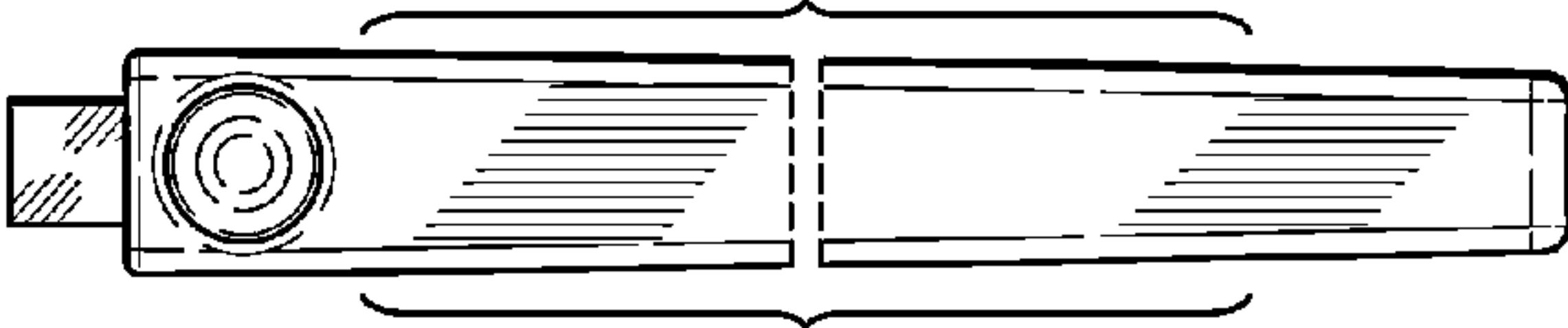


FIG. 22



FIG. 23



FIG. 24