



US00D742665S

(12) **United States Design Patent**
Goodman et al.

(10) **Patent No.:** **US D742,665 S**

(45) **Date of Patent:** **** Nov. 10, 2015**

(54) **EXPANDABLE SHELF**

(71) Applicant: **Spectrum Diversified Designs, Inc.**,
Streetsboro, OH (US)

(72) Inventors: **Sheldon H. Goodman**, Solon, OH (US);
Phaysouk Xayoiphonh, Akron, OH
(US)

(73) Assignee: **Spectrum Diversified Designs, Inc.**,
Streetsboro, OH (US)

(**) Term: **14 Years**

(21) Appl. No.: **29/495,546**

(22) Filed: **Jul. 2, 2014**

(51) **LOC (10) Cl.** **06-06**

(52) **U.S. Cl.**
USPC **D6/675.5**

(58) **Field of Classification Search**
USPC D6/429, 460–461, 464, 468, 474,
D6/477–479, 672, 675, 675.1, 675.3,
D6/675.5; 108/11, 59, 65, 91–92, 96, 137;
211/42, 85, 87.01, 90.01, 107, 111,
211/119.003, 134, 186, 189, 195
CPC A47B 45/00; A47B 17/03; A47B 47/021
See application file for complete search history.

(56) **References Cited**

U.S. PATENT DOCUMENTS

370,429 A * 9/1887 Tull 105/319
5,097,971 A * 3/1992 Norris et al. 211/126.6
D367,385 S * 2/1996 Kasten D6/675.2
D413,218 S * 8/1999 Doty D6/675.5

D444,975 S * 7/2001 West D6/574
D455,585 S * 4/2002 West D6/705.7
D479,778 S * 9/2003 Haney et al. D6/707
D485,109 S * 1/2004 Oberhaus D6/574
D579,237 S * 10/2008 Gusdorf D6/675.2
D587,492 S * 3/2009 Gusdorf D6/675.5
D690,966 S * 10/2013 Goodman et al. D6/675.5
D717,599 S * 11/2014 Lu D7/409
D719,383 S * 12/2014 Goodman et al. D6/675.5
D724,358 S * 3/2015 Tsai D6/675.3
D730,666 S * 6/2015 Goodman et al. D6/675.3

* cited by examiner

Primary Examiner — Kelley Donnelly

(74) *Attorney, Agent, or Firm* — Benesch Friedlander
Coplan & Aronoff LLP

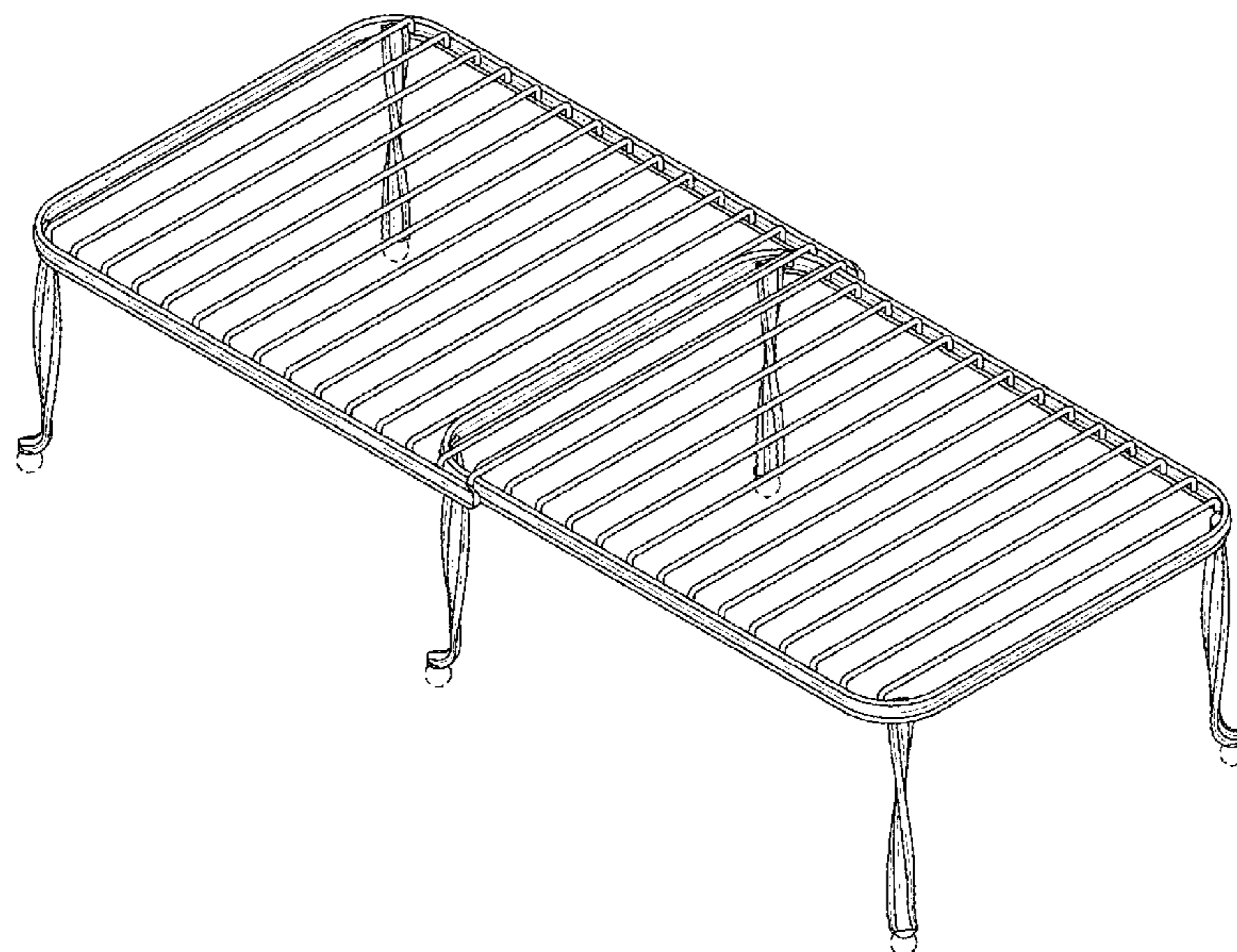
(57) **CLAIM**

What is claimed is the ornamental design for an expandable
shelf, as shown and described.

DESCRIPTION

FIG. 1 is a perspective view of a first embodiment of an
expandable shelf showing our new design;
FIG. 2 is a front view of the expandable shelf of FIG. 1;
FIG. 3 is a side view of the expandable shelf of FIG. 1;
FIG. 4 is a cross-sectional view taken along line 4-4 of FIG. 2;
FIG. 5 is a top view of the expandable shelf of FIG. 1;
FIG. 6 is a bottom view of the expandable shelf of FIG. 1;
FIG. 7 is a perspective view of a second embodiment of an
expandable shelf; and,
FIG. 8 is a cross-sectional view taken along line 8-8 of FIG. 7.
The components of the display shown in broken lines illus-
trate portions of the expandable shelf form no part of the
claimed design.

1 Claim, 4 Drawing Sheets



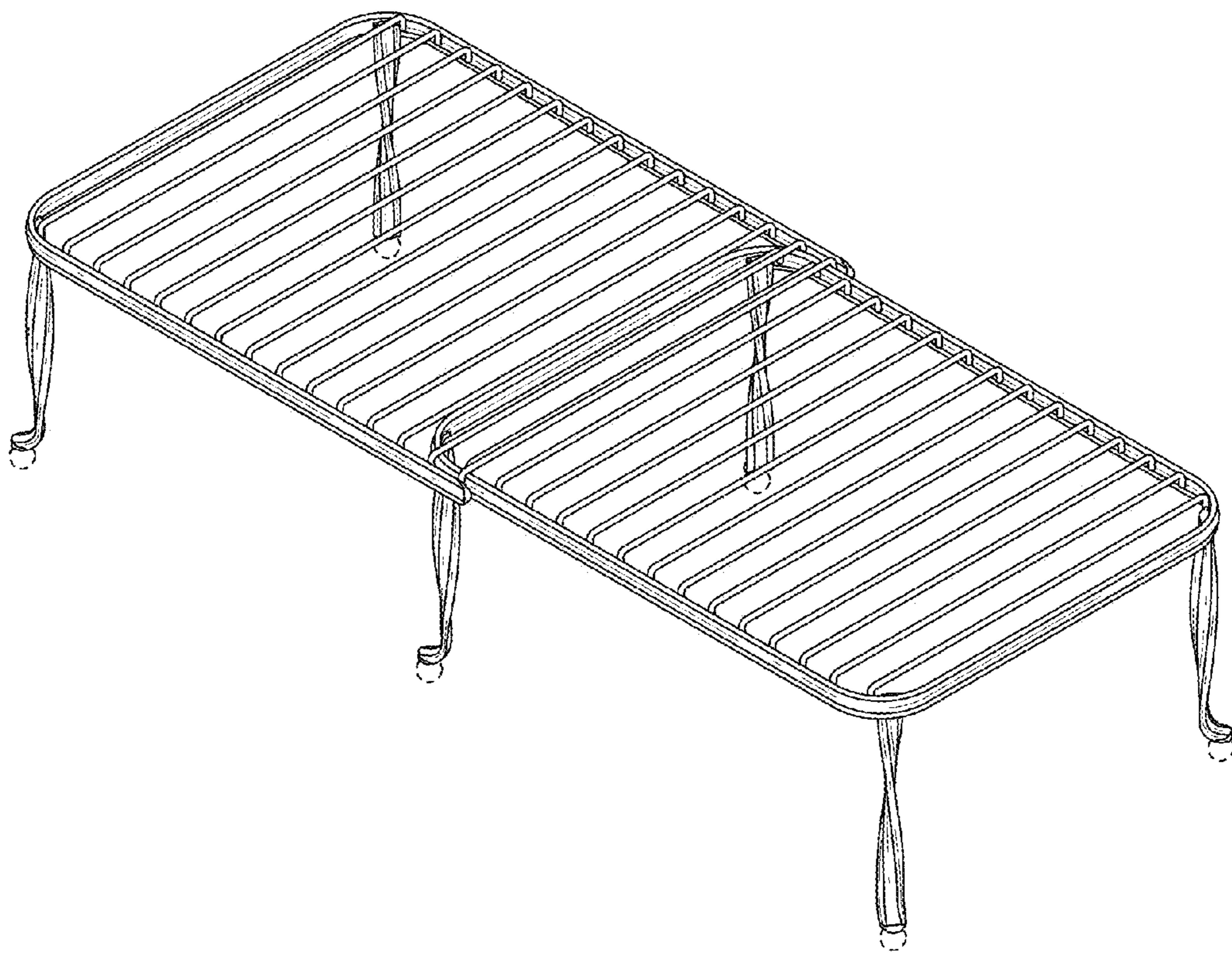


FIG. 1

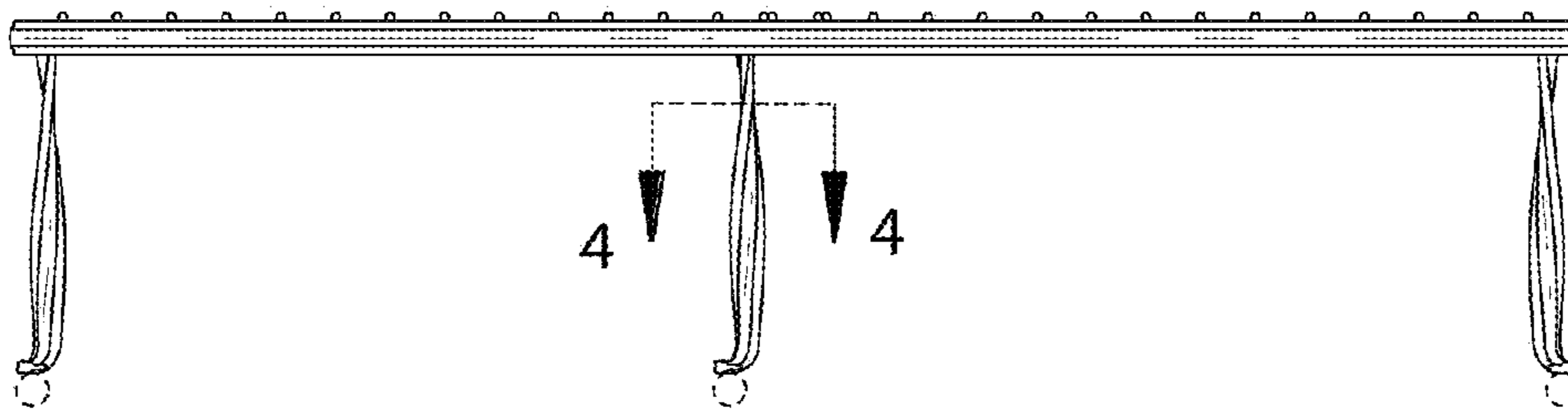


FIG. 2



FIG. 3



FIG. 4

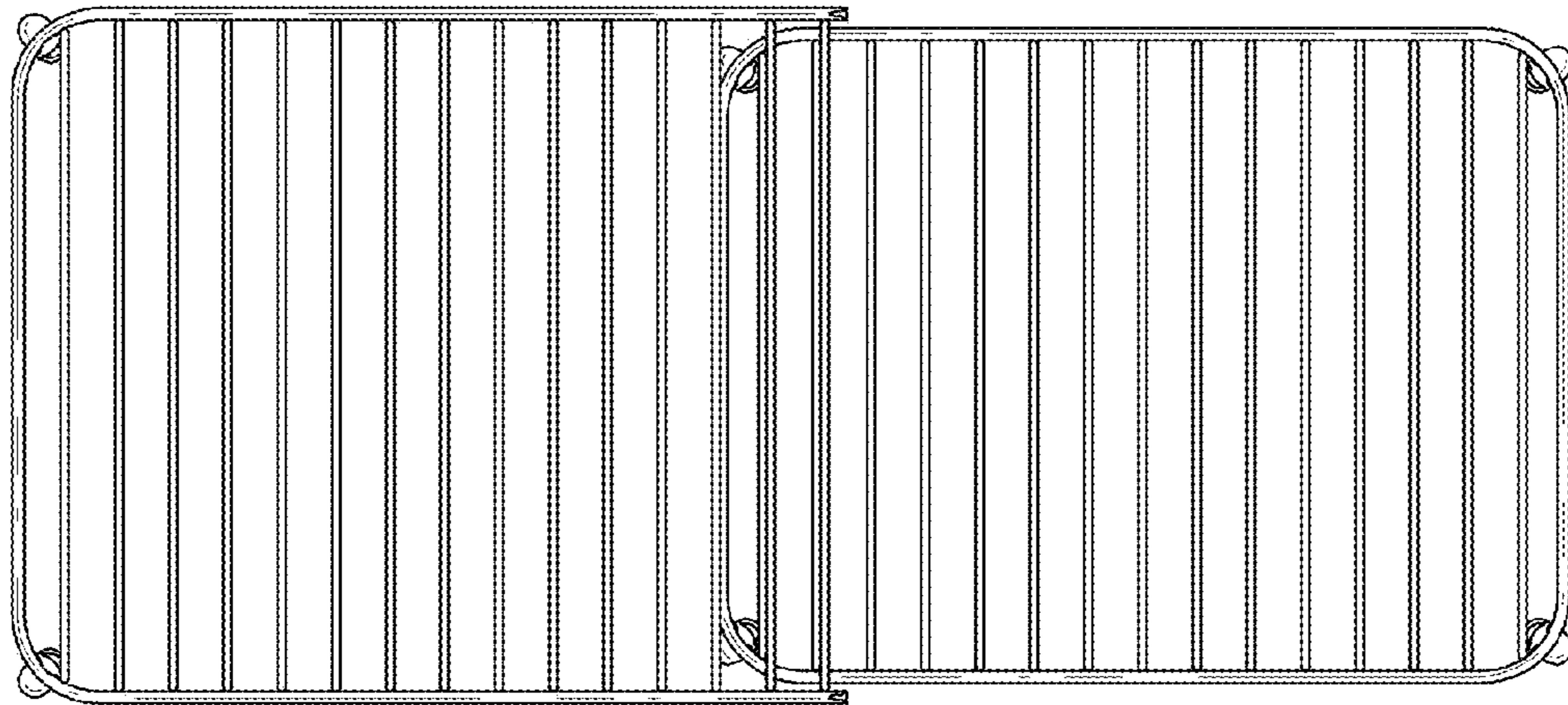


FIG. 5

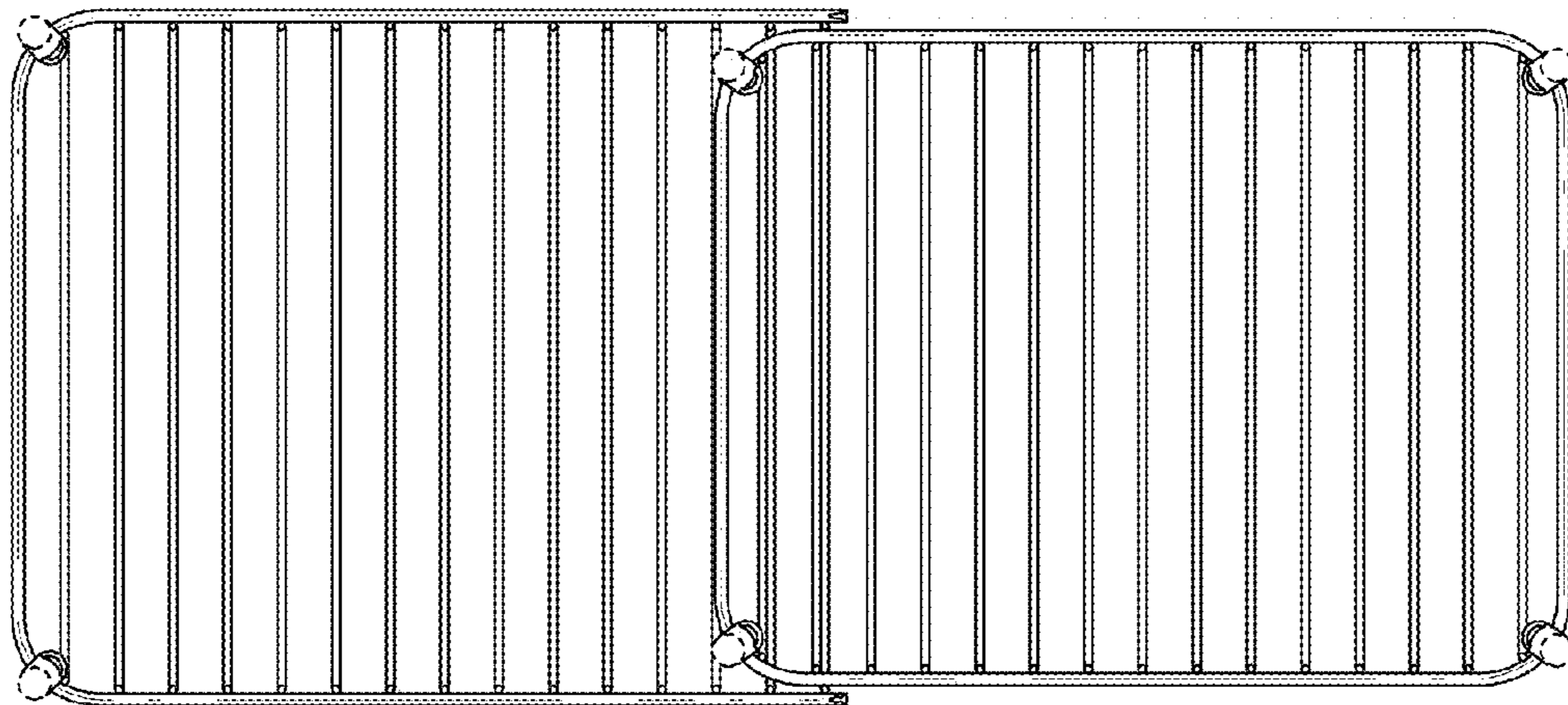


FIG. 6

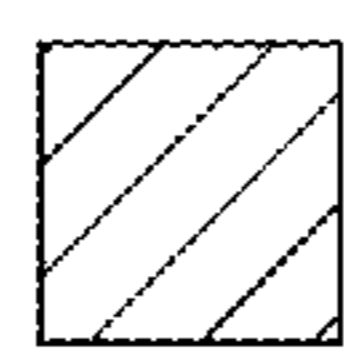
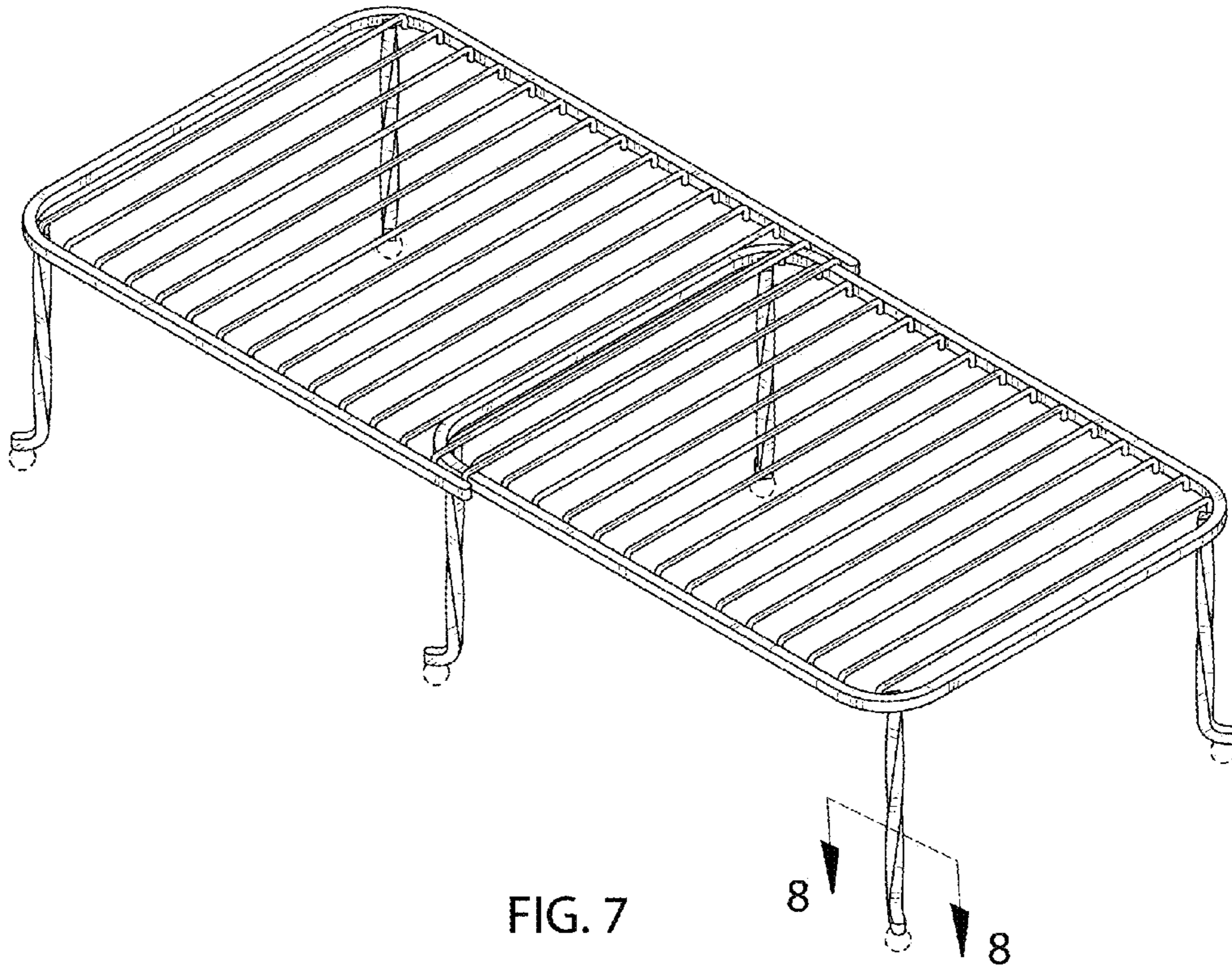


FIG. 8