



US00D742663S

(12) **United States Design Patent**
Williams et al.

(10) **Patent No.:** **US D742,663 S**
(45) **Date of Patent:** **** Nov. 10, 2015**

(54) **HEXAGONAL JEWELRY TRAY**
(71) Applicant: **LF Centennial Ltd.**, Road Town, Tortola (VG)
(72) Inventors: **Matthew G. Williams**, Lighthouse Point, FL (US); **Jose Suero**, Boca Raton, FL (US)
(73) Assignee: **LF Centennial Ltd.**, Road Town, Tortola (VG)

(**) Term: **14 Years**

(21) Appl. No.: **29/486,374**

(22) Filed: **Mar. 28, 2014**

(51) **LOC (10) Cl.** **06-06**

(52) **U.S. Cl.**
USPC **D6/675**

(58) **Field of Classification Search**
USPC D6/449, 512, 672, 675, 682, 683; D9/759-760, 456; D3/304, 313-314, D3/315, 319; D7/550.1, 553.1, 553.4; 220/575; 206/503, 505, 557, 564, 566
CPC B65D 1/34; B65D 1/36
See application file for complete search history.

(56) **References Cited**

U.S. PATENT DOCUMENTS

1,595,356 A * 8/1926 Moseman 220/23.8
D421,365 S * 3/2000 Miller et al. D7/553.4

D429,964 S * 8/2000 Miller et al. D7/553.4
D592,014 S * 5/2009 Bizzell et al. D7/553.4
D634,584 S * 3/2011 Bergkvist D7/553.7
8,006,369 B2 * 8/2011 Shew et al. 29/527.1
D695,077 S * 12/2013 Chase D7/555
D706,089 S * 6/2014 Geier D7/672
2005/0224506 A1 * 10/2005 Withers 220/793
2009/0200316 A1 * 8/2009 Kovacevich et al. 220/575

* cited by examiner

Primary Examiner — Kelley Donnelly

(74) *Attorney, Agent, or Firm* — Duane Morris LLP; J. Rodman Steele, Jr.; Gregory M. Lefkowitz

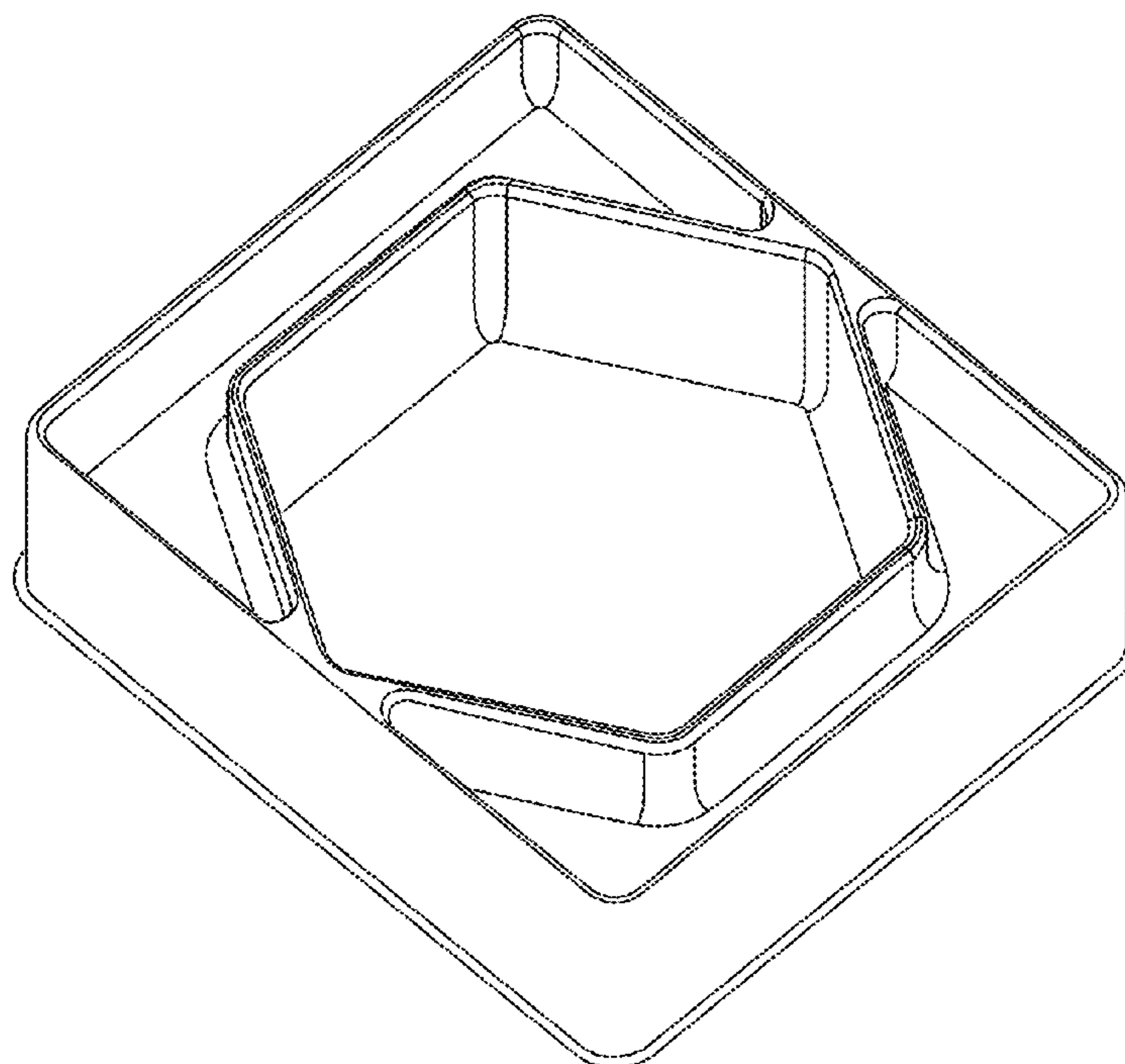
(57) **CLAIM**

The ornamental design for an hexagonal jewelry tray, as shown and described.

DESCRIPTION

FIG. 1 is a front, perspective view of our ornamental design; FIG. 2 is a top view of the ornamental design of FIG. 1; FIG. 3 is a front view of the ornamental design of FIG. 1; FIG. 4 is a right side view of the ornamental design of FIG. 1; FIG. 5 is a bottom view of the ornamental design of FIG. 1; FIG. 6 is a cross-sectional view of the ornamental design taken along cut line 6-6 of FIG. 2; and, FIG. 7 is a cross-sectional view of the ornamental design taken along cut line 7-7 of FIG. 2.
The back view is a mirror image of the front view. The left side view is a mirror image of the right side view.

1 Claim, 3 Drawing Sheets



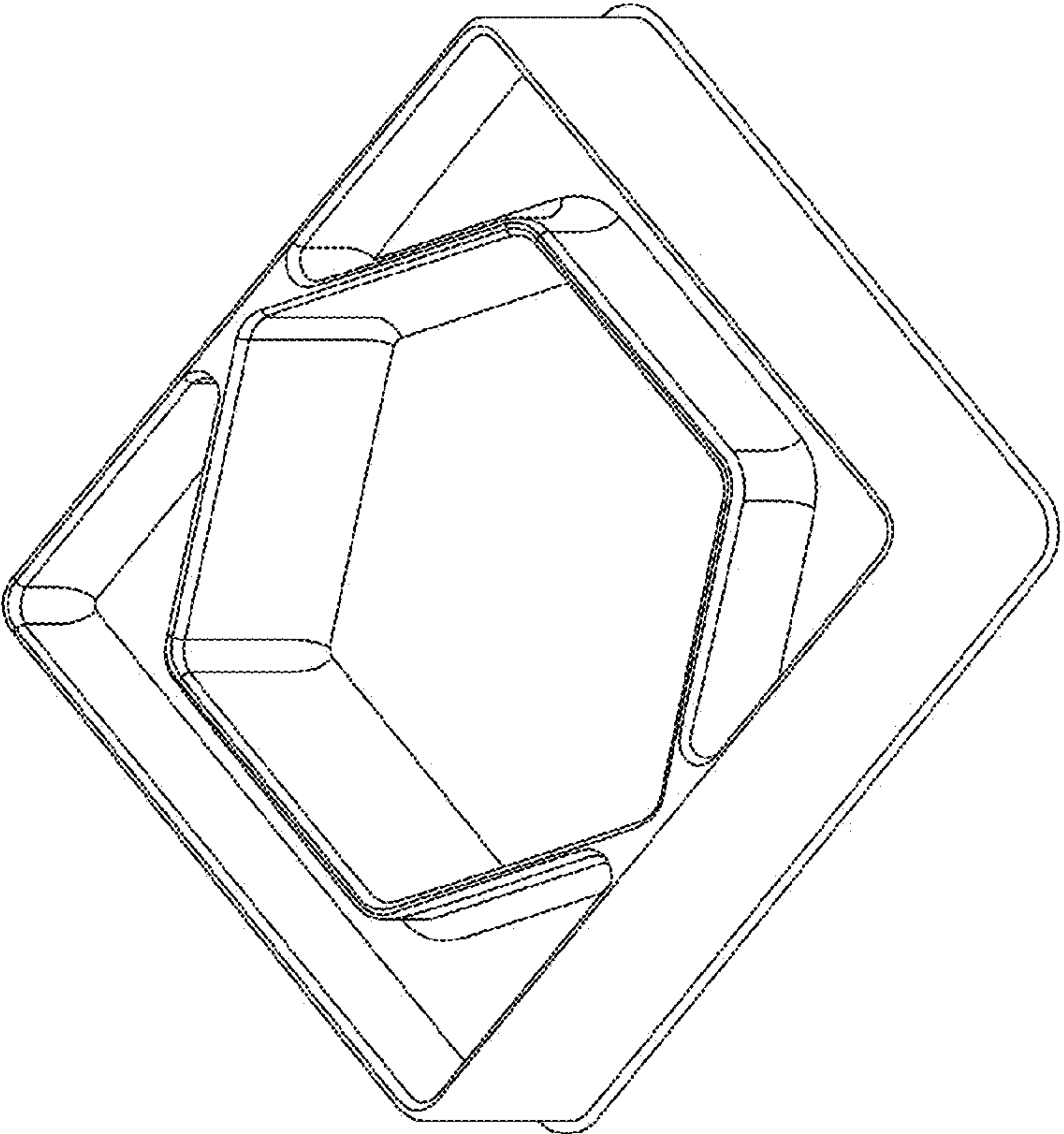


FIG. 1

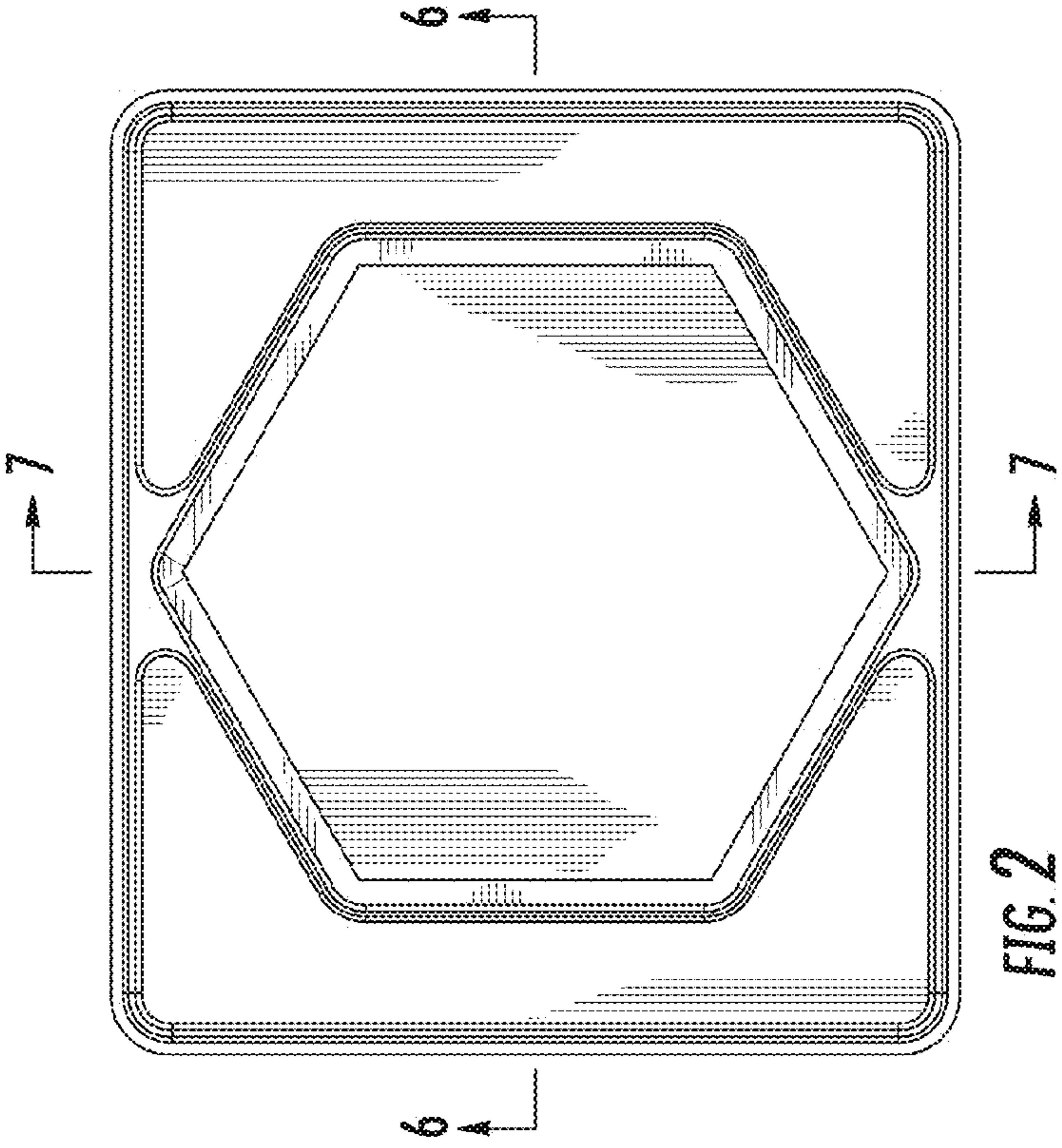


FIG. 2



FIG. 3



FIG. 4

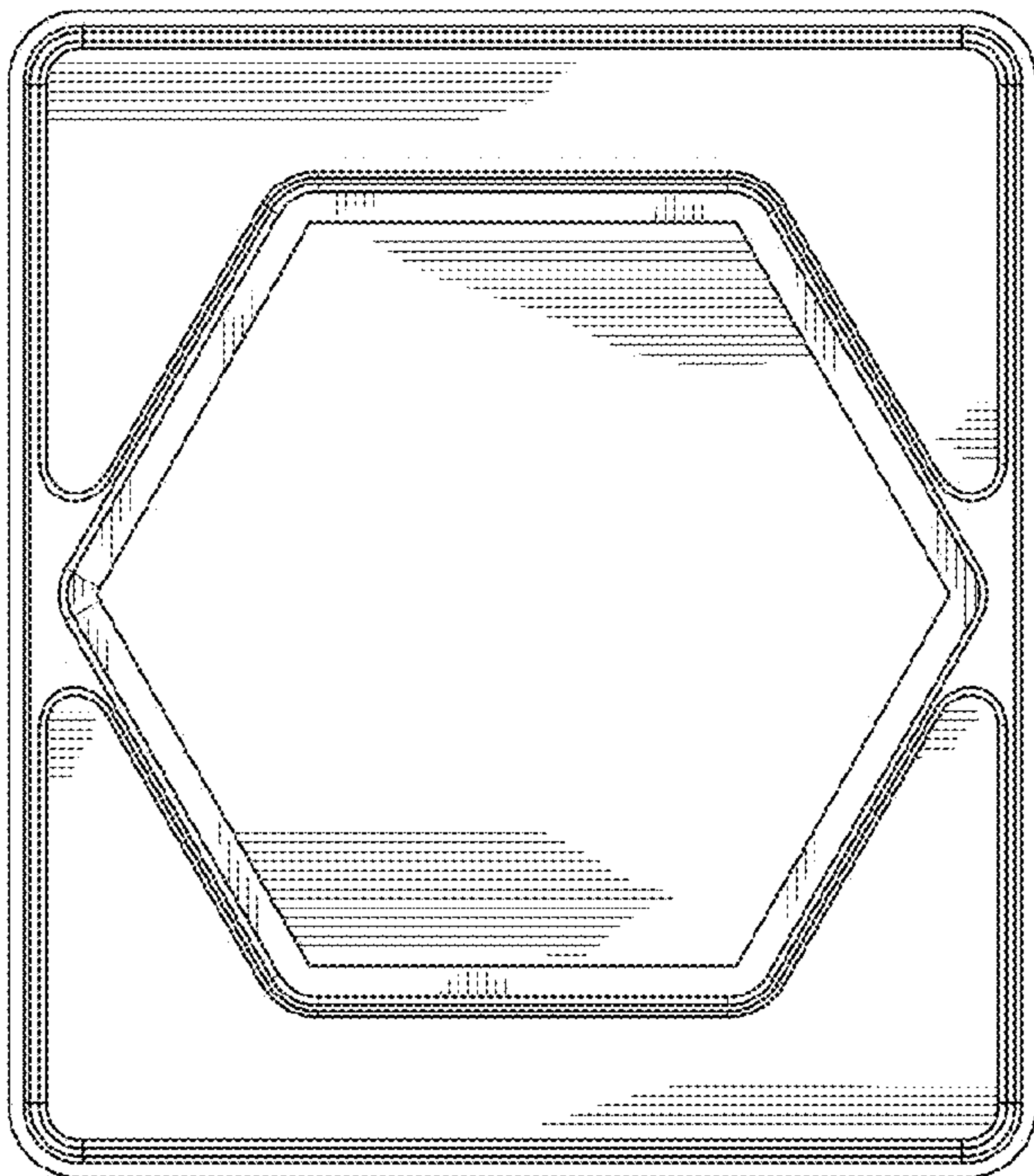


FIG. 5

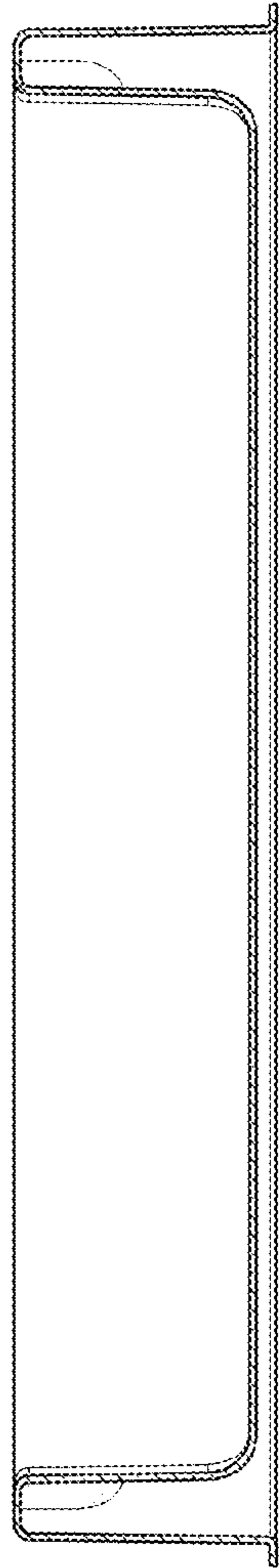


FIG. 7

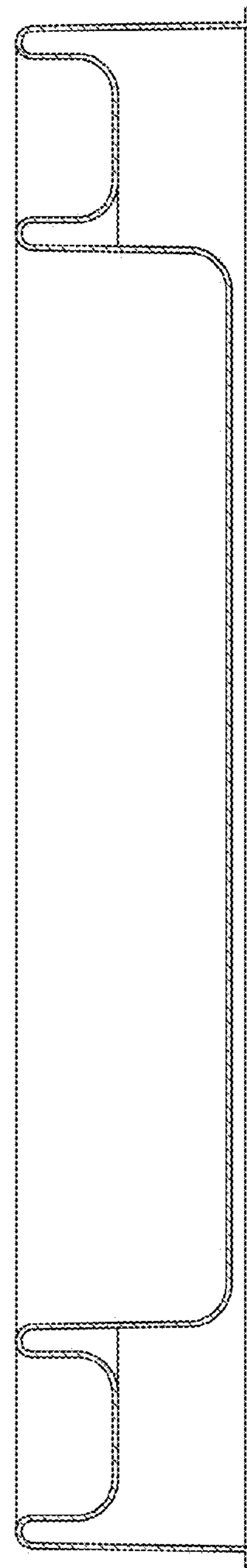


FIG. 6