



US00D742661S

(12) **United States Design Patent**
Stein

(10) **Patent No.:** **US D742,661 S**

(45) **Date of Patent:** **** Nov. 10, 2015**

(54) **CABINET WITH REPLACEABLE FRONT PANEL**

(71) Applicant: **Shelley Stein**, Brooklyn, NY (US)

(72) Inventor: **Shelley Stein**, Brooklyn, NY (US)

(73) Assignee: **The 25th Hour LLC**, Brooklyn, NY (US)

(**) Term: **15 Years**

(21) Appl. No.: **29/531,540**

(22) Filed: **Jun. 26, 2015**

Related U.S. Application Data

(63) Continuation of application No. 29/476,816, filed on Dec. 17, 2013, now Pat. No. Des. 735,499.

(51) **LOC (10) Cl.** **06-04**

(52) **U.S. Cl.**
USPC **D6/663**

(58) **Field of Classification Search**
USPC D6/657, 661, 663, 664, 666, 667, 671, D6/671.1, 671.2; D3/273
CPC A47F 3/00; A47F 3/005; A47F 3/06; A47B 17/04; A47B 47/03; A47B 67/00
See application file for complete search history.

(56) **References Cited**

U.S. PATENT DOCUMENTS

- 1,009,755 A * 11/1911 Lange A47F 3/06
312/127
- 1,102,060 A * 6/1914 Leach A47F 3/005
312/114
- 1,186,642 A * 6/1916 Alamy A47F 3/005
312/257.1
- 1,253,356 A * 1/1918 Delaney A47B 47/03
312/265.5
- 3,554,623 A * 1/1971 Suckle et al. A47B 47/03
312/257.1
- D255,518 S * 6/1980 Logsdon D6/663
- 4,448,463 A * 5/1984 Amos A47B 67/00

- D336,177 S * 6/1993 Kulaga D6/663
- 6,869,154 B2 * 3/2005 Vandebussche A47F 3/005
312/114
- D504,771 S * 5/2005 Boyd D3/273
- D592,889 S * 5/2009 Carter D6/661
- 7,891,747 B2 * 2/2011 Hahn A47F 3/005
312/139.1
- D696,526 S * 12/2013 Christensen D6/661
- 8,894,160 B1 * 11/2014 Christensen A47F 3/005
312/138.1
- D735,499 S * 8/2015 Stein D6/663

* cited by examiner

Primary Examiner — Mimosa De

(74) *Attorney, Agent, or Firm* — King & Spalding LLC

(57) **CLAIM**

The ornamental design for a cabinet with replaceable front panel, as shown and described.

DESCRIPTION

FIG. 1 is a top plan view of a cabinet with replaceable front panel, shown without a front panel, showing my new design; FIG. 2 is a right side elevational view thereof; FIG. 3 is a front elevational view thereof; FIG. 4 is a rear elevational view thereof; FIG. 5 is a front perspective view thereof; FIG. 6 is a top cross-sectional view thereof; and FIG. 7 is a side cross-sectional view thereof. FIG. 8 is a top plan view of an alternate embodiment of the cabinet with replaceable front panel, shown with a front panel, showing my new design; FIG. 9 is a right side elevation view thereof; FIG. 10 is a front elevational view thereof; FIG. 11 is a rear elevational view thereof; FIG. 12 is a front perspective view thereof; FIG. 13 is a top cross-sectional view thereof; and, FIG. 14 is a side cross-sectional view thereof. The broken lines shown in the figures represent unclaimed subject matter and form no part of the claimed design.

1 Claim, 8 Drawing Sheets

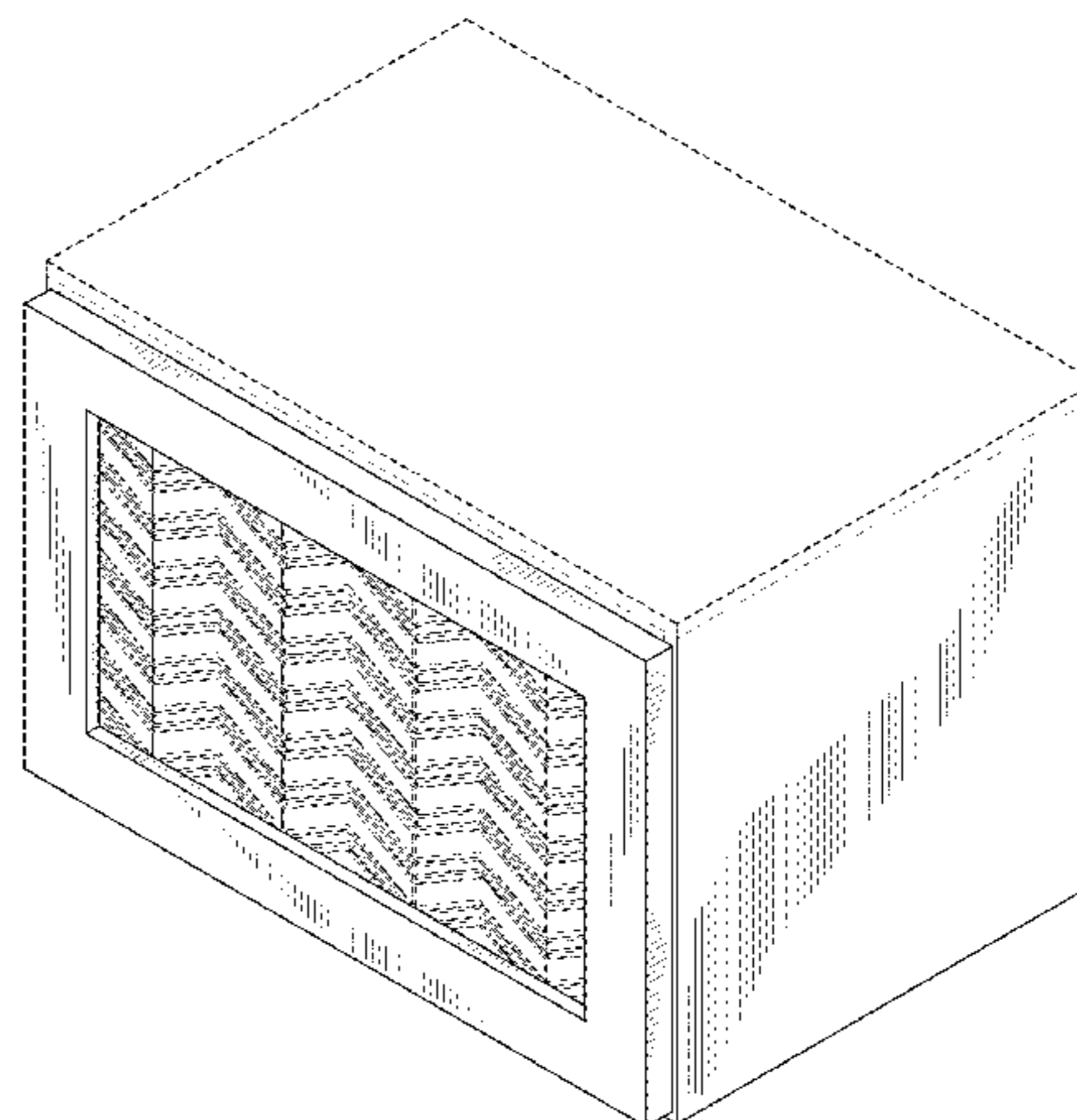
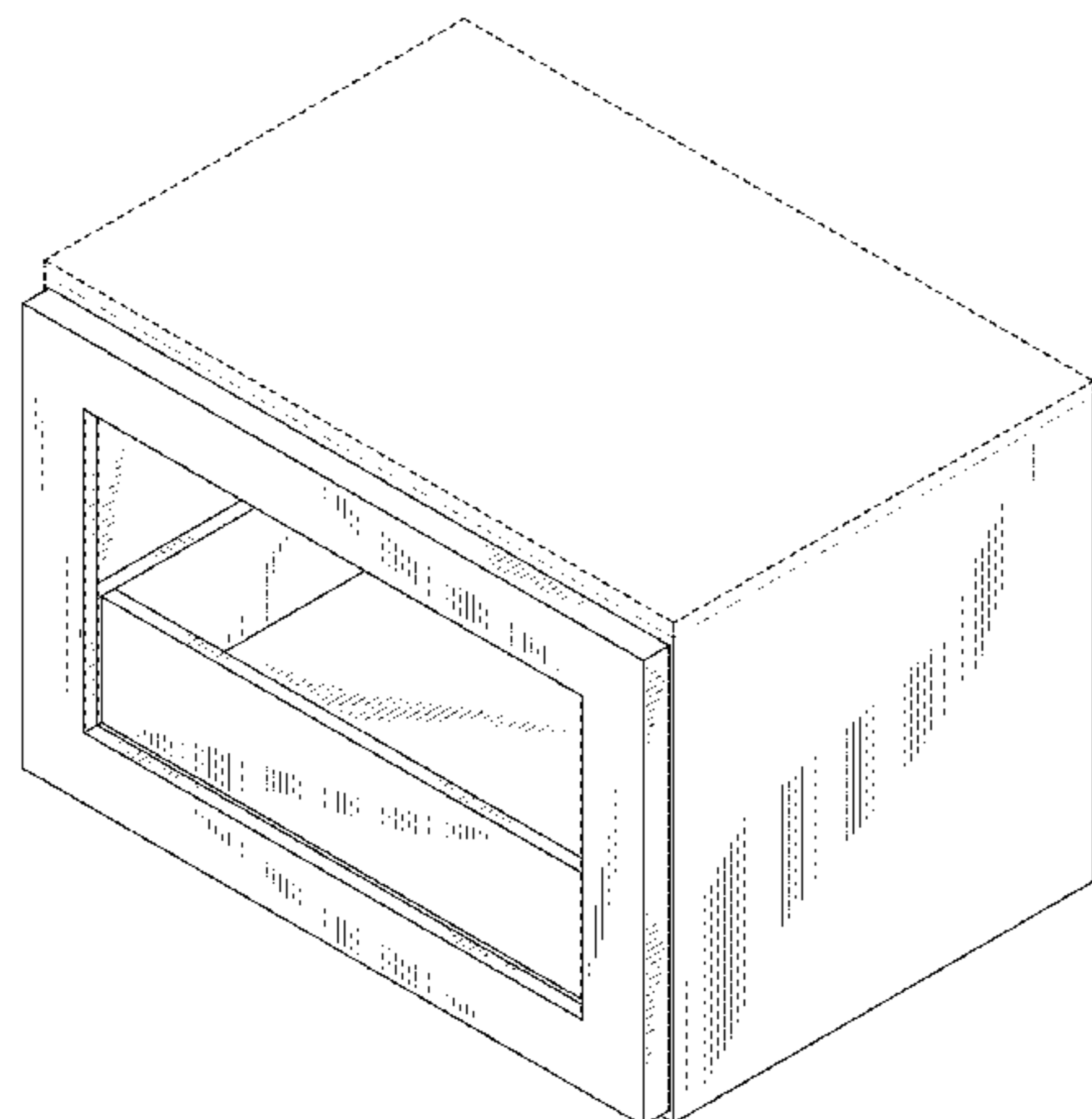


FIG. 1

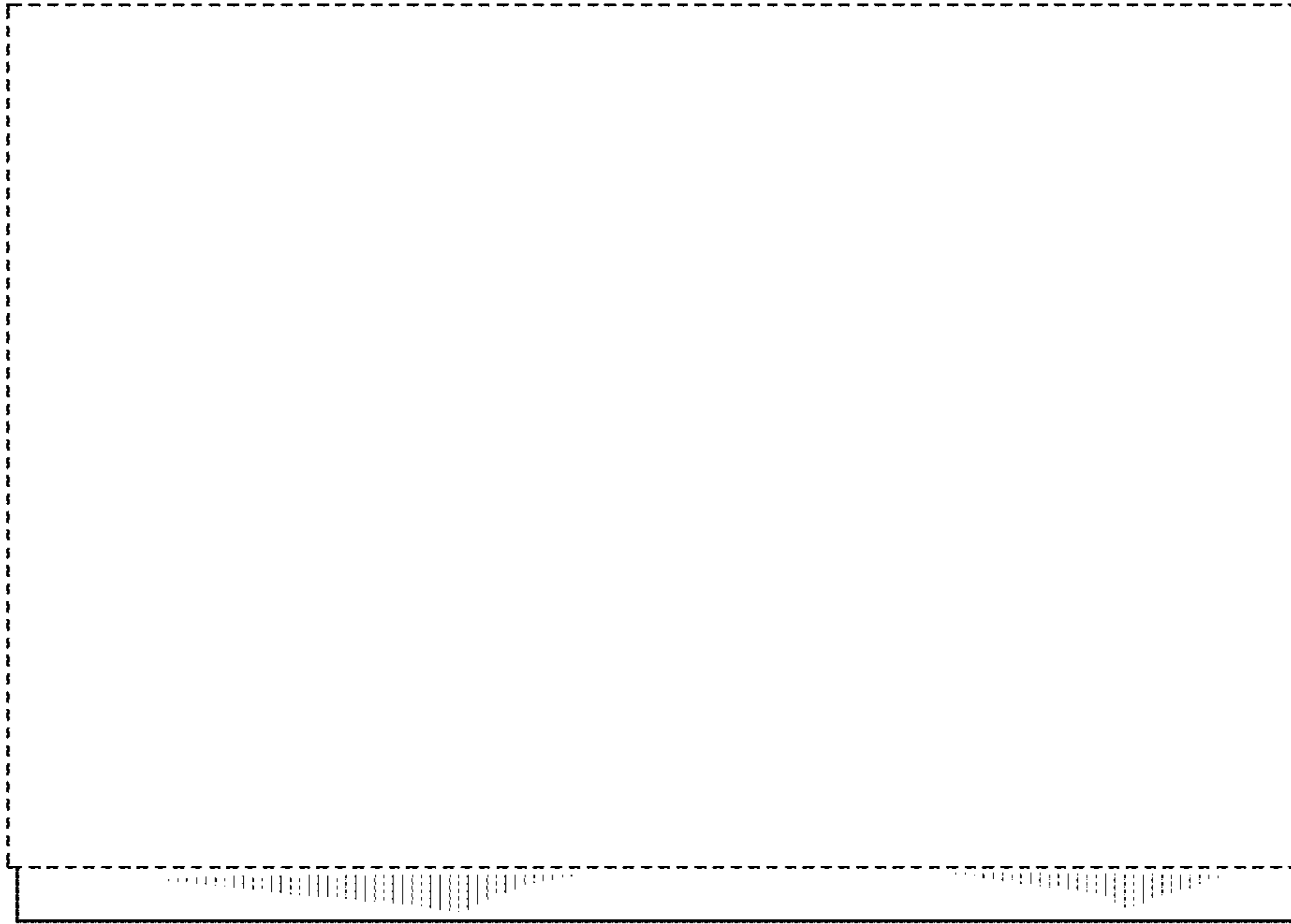


FIG. 2

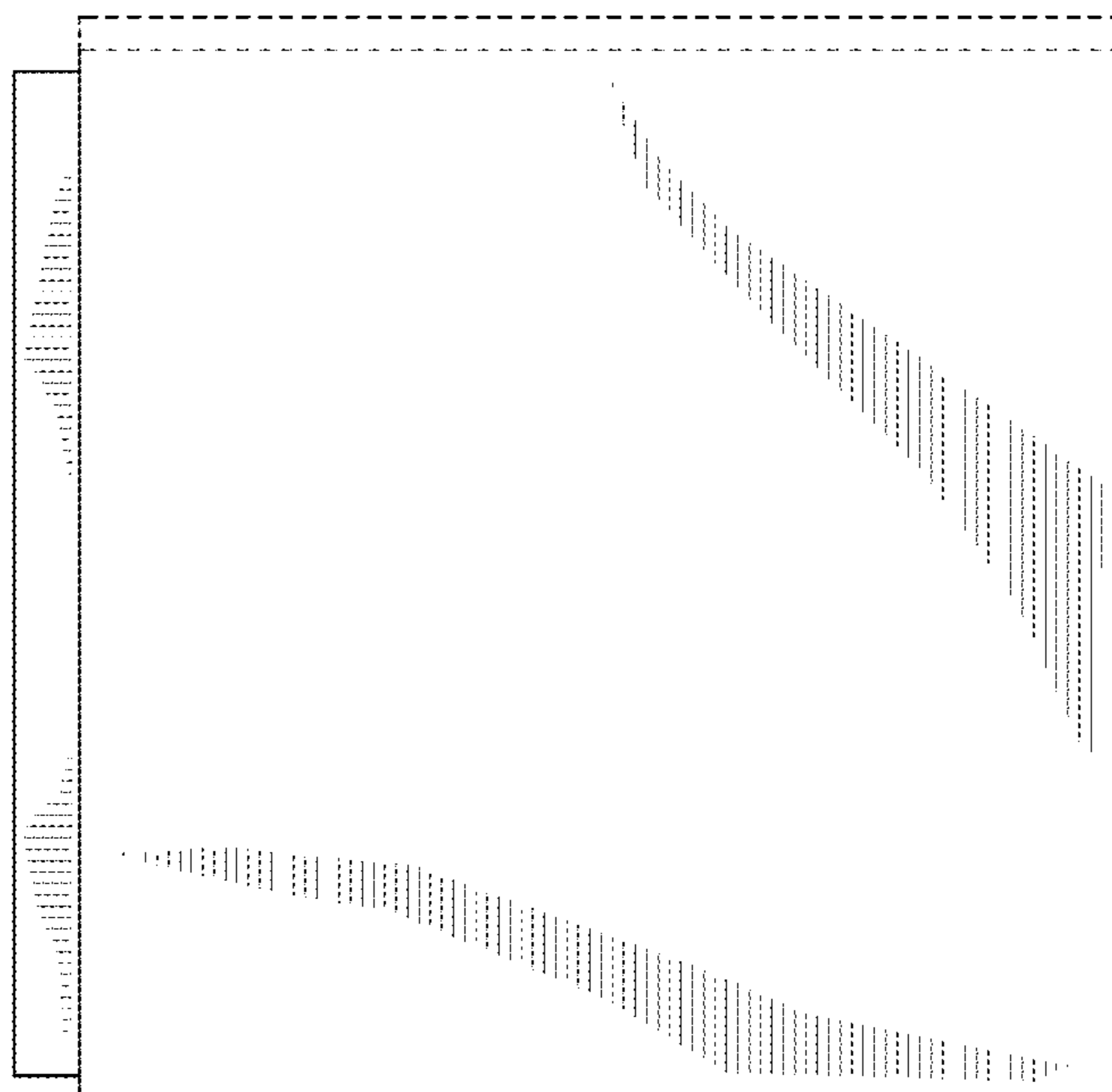


FIG. 3

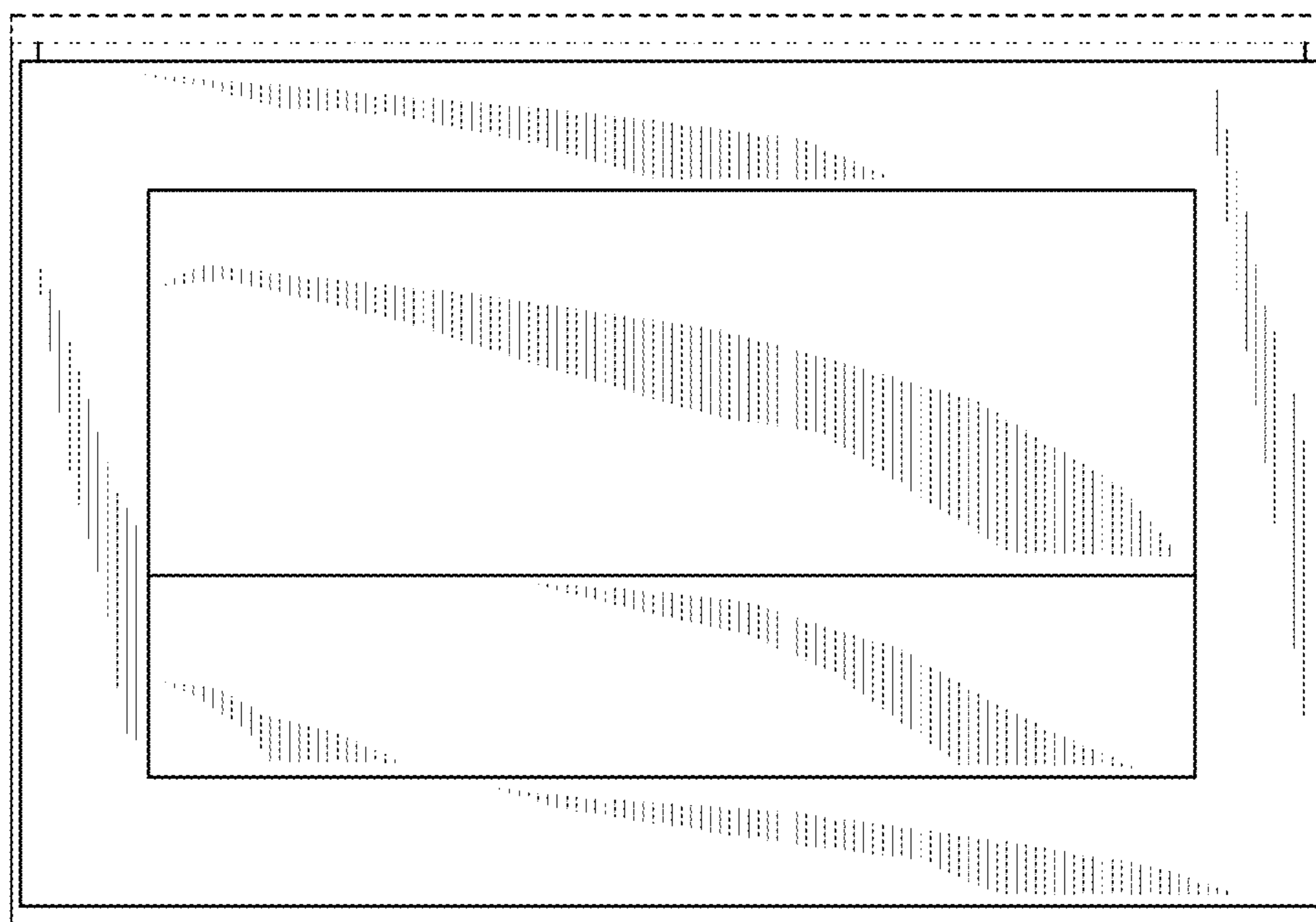


FIG. 4

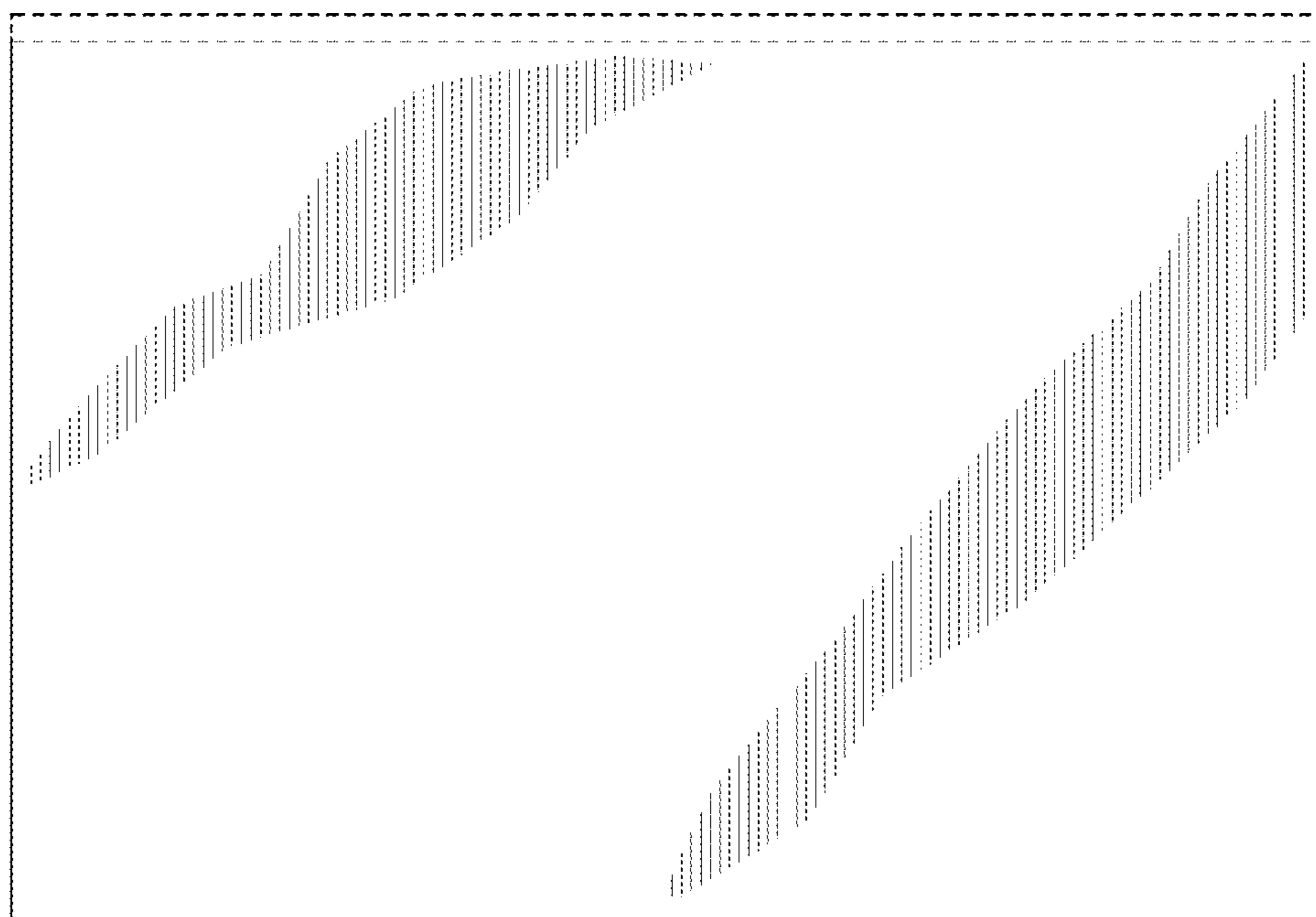


FIG. 5

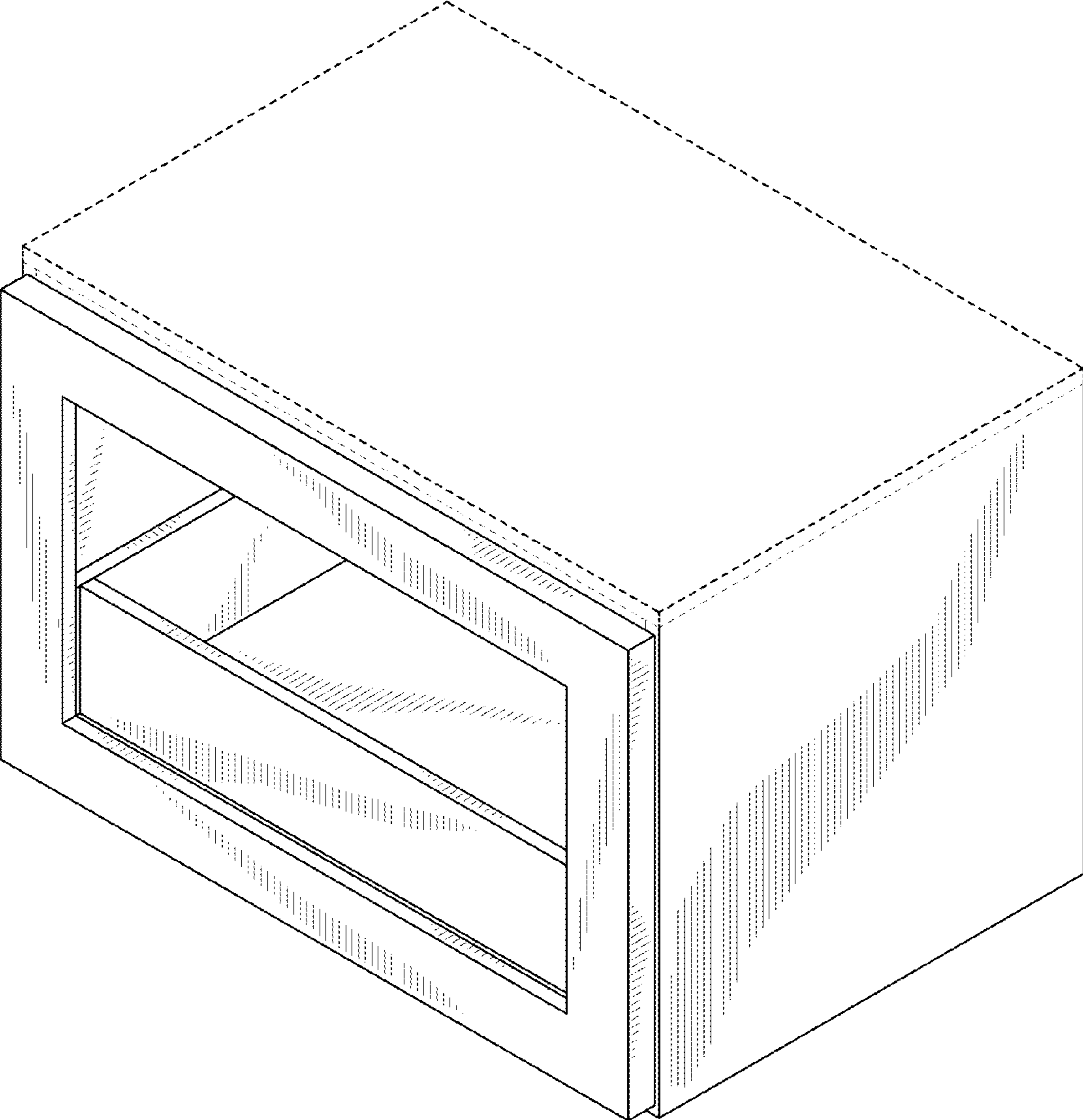


FIG. 6

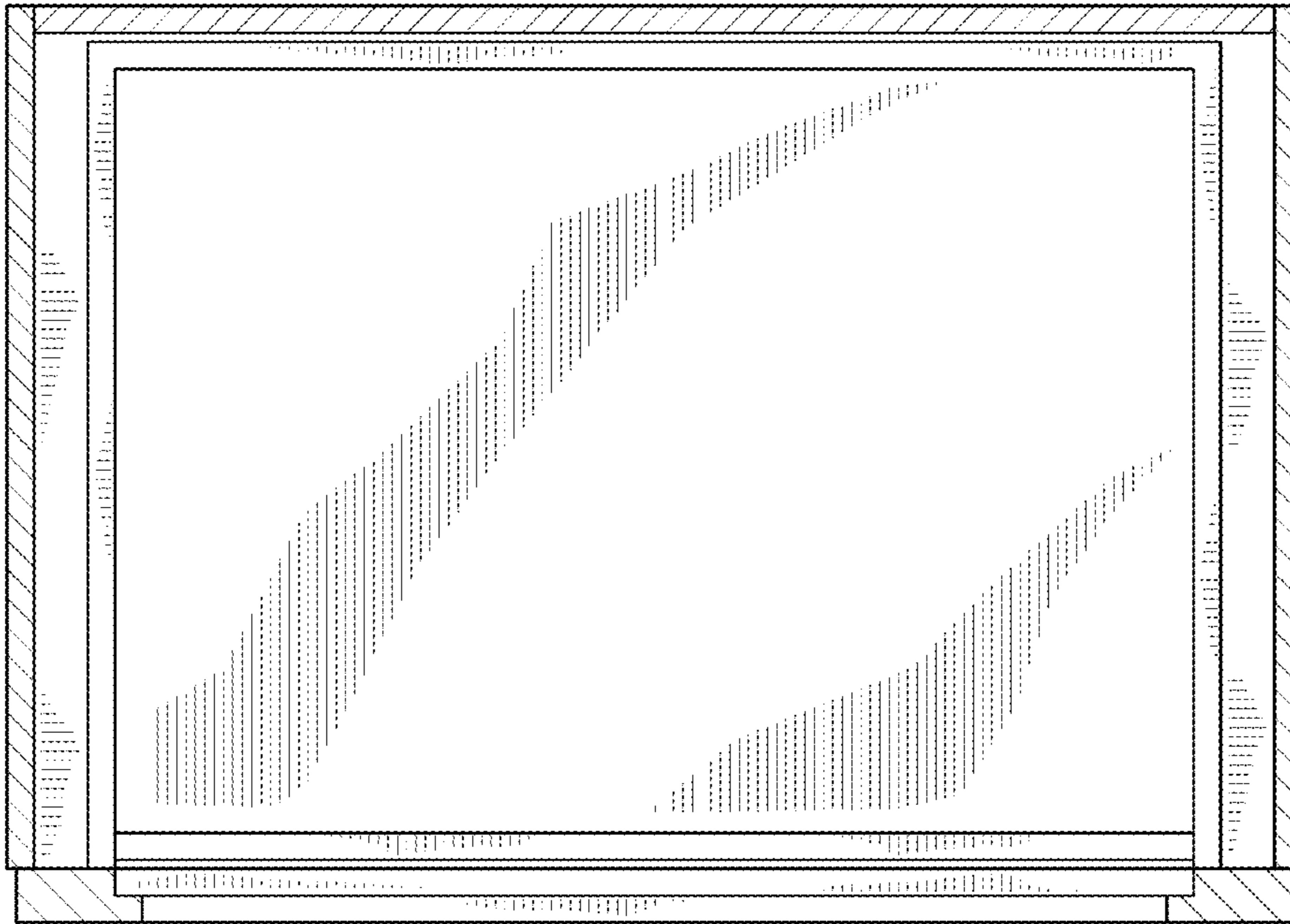


FIG. 7

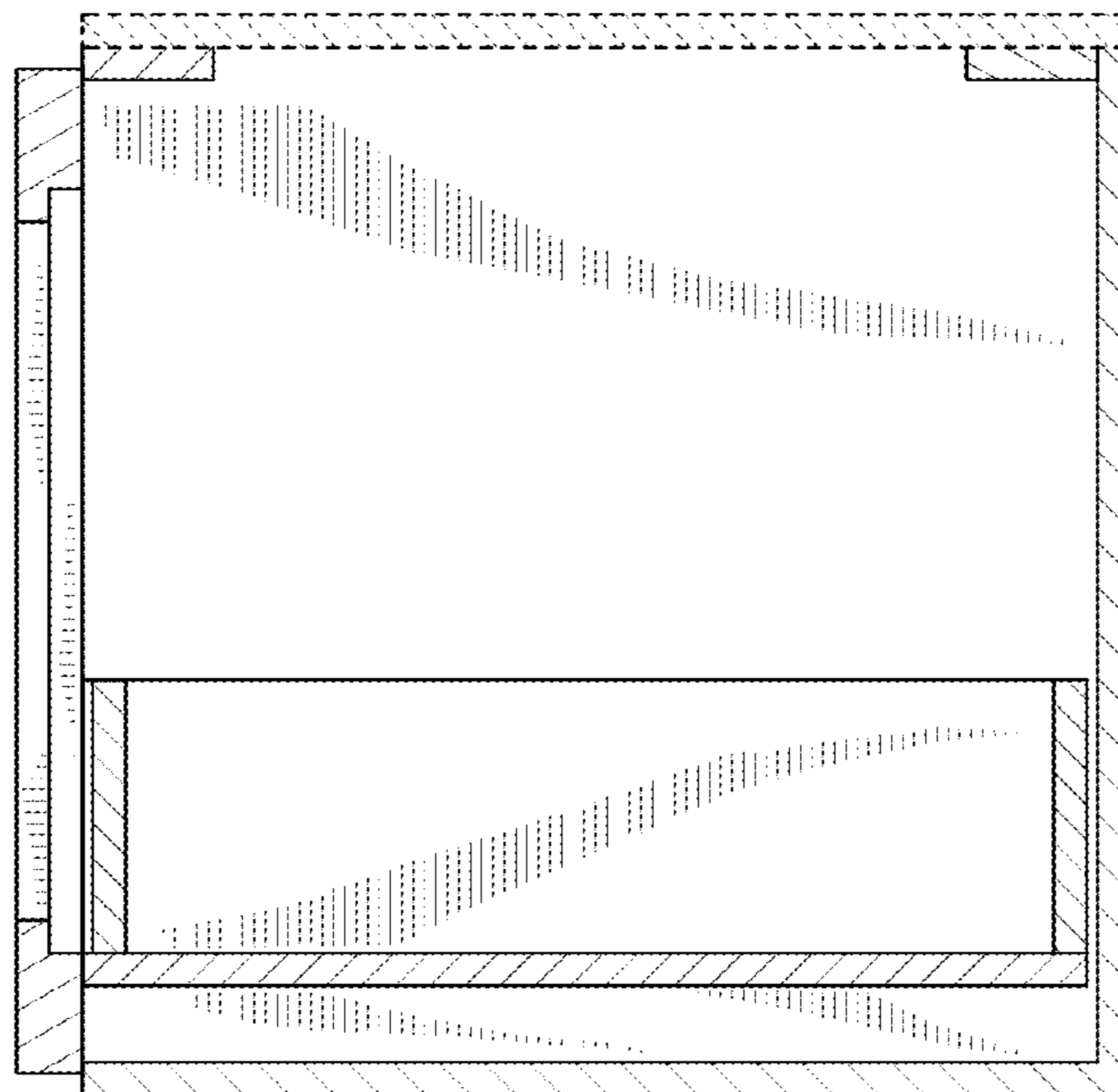


FIG. 8

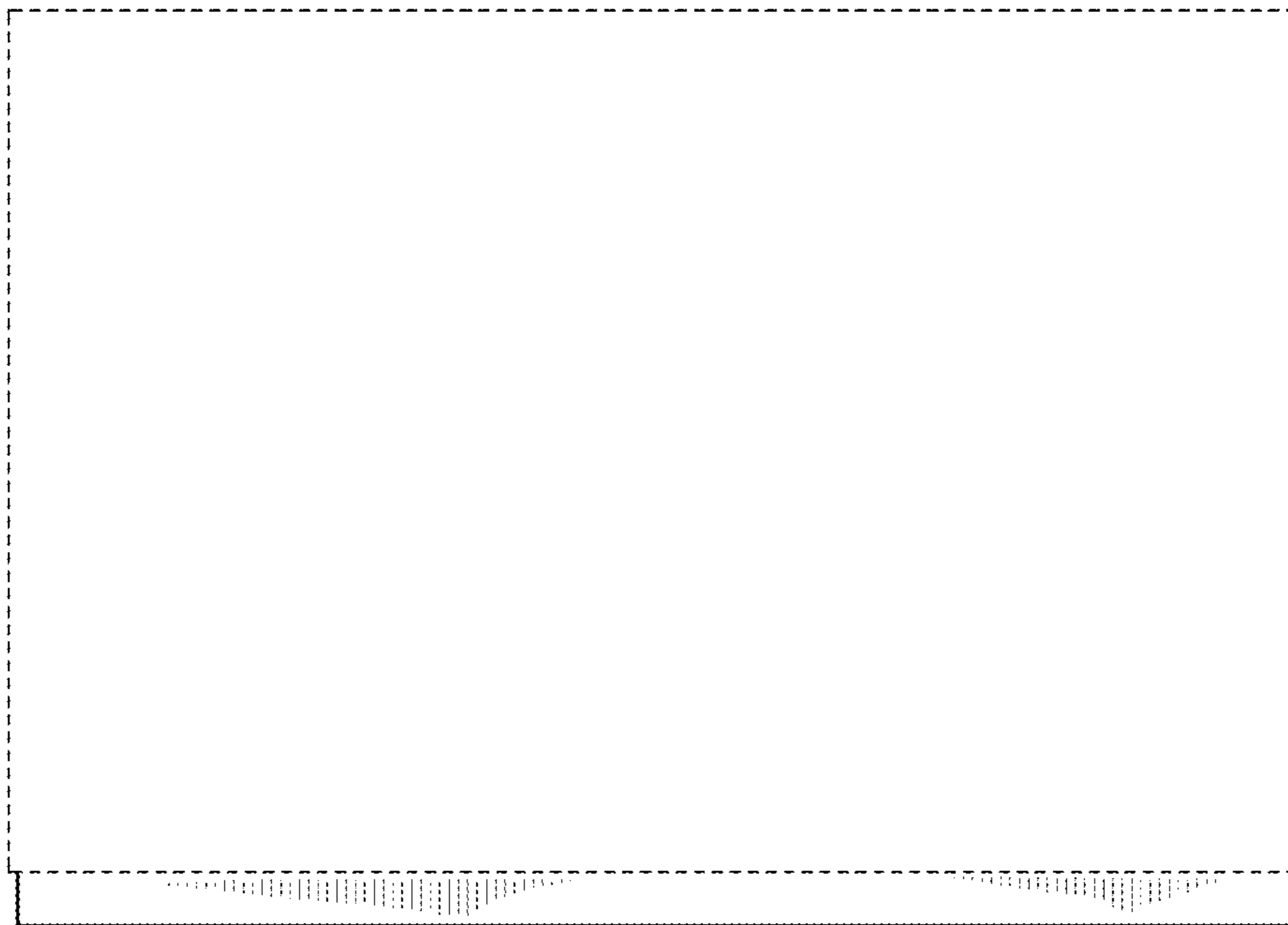


FIG. 9

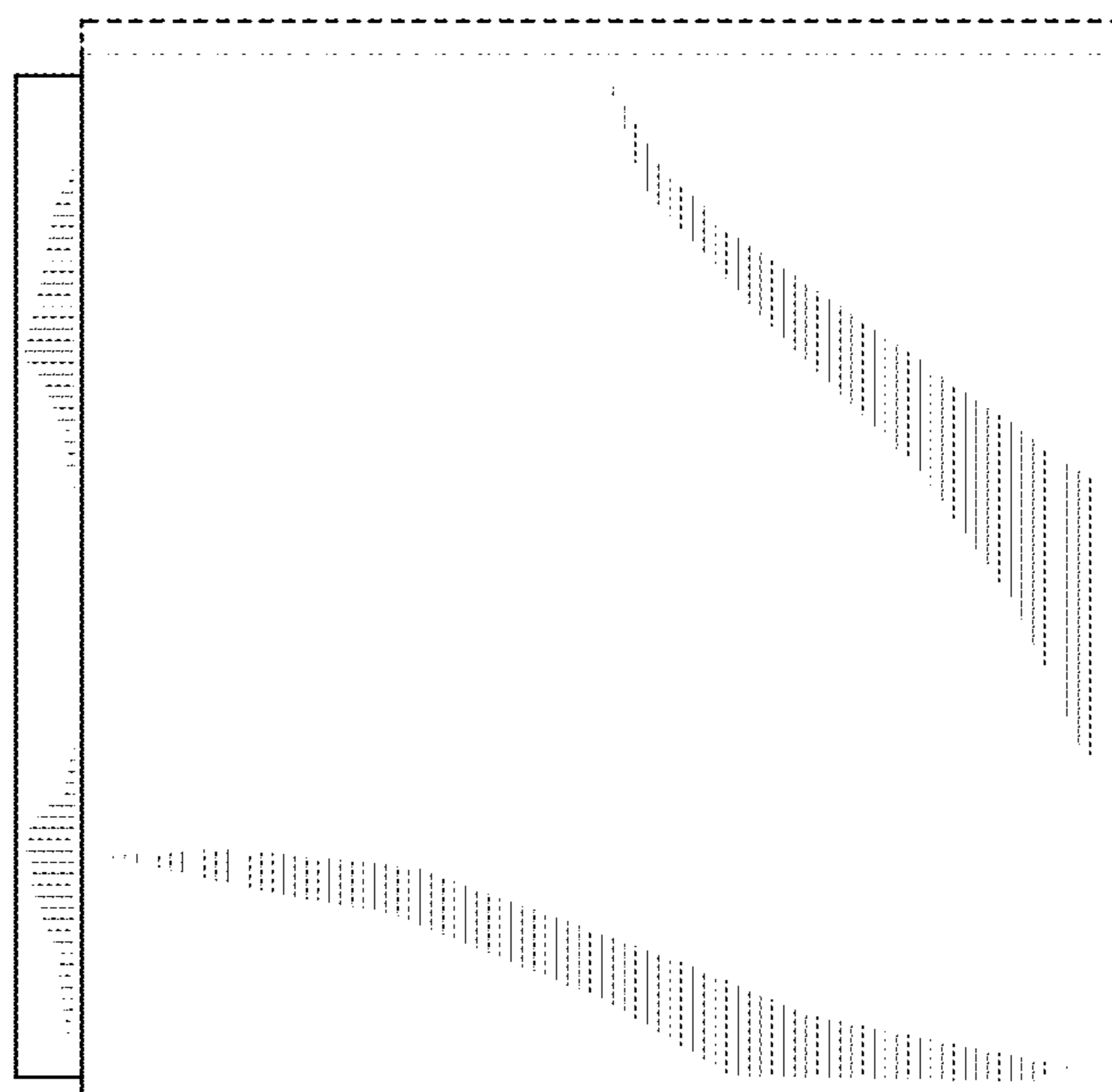


FIG. 10

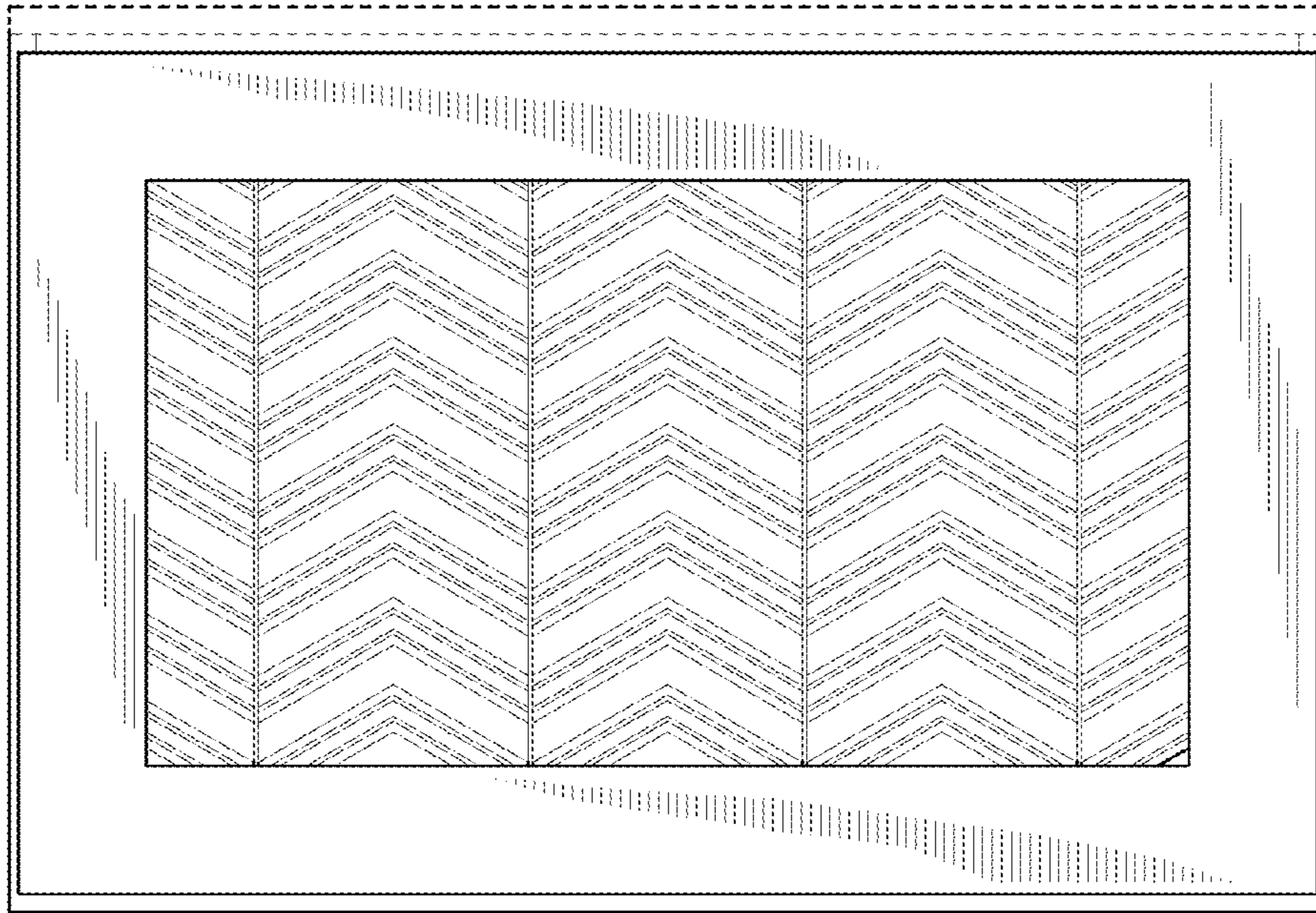


FIG. 11

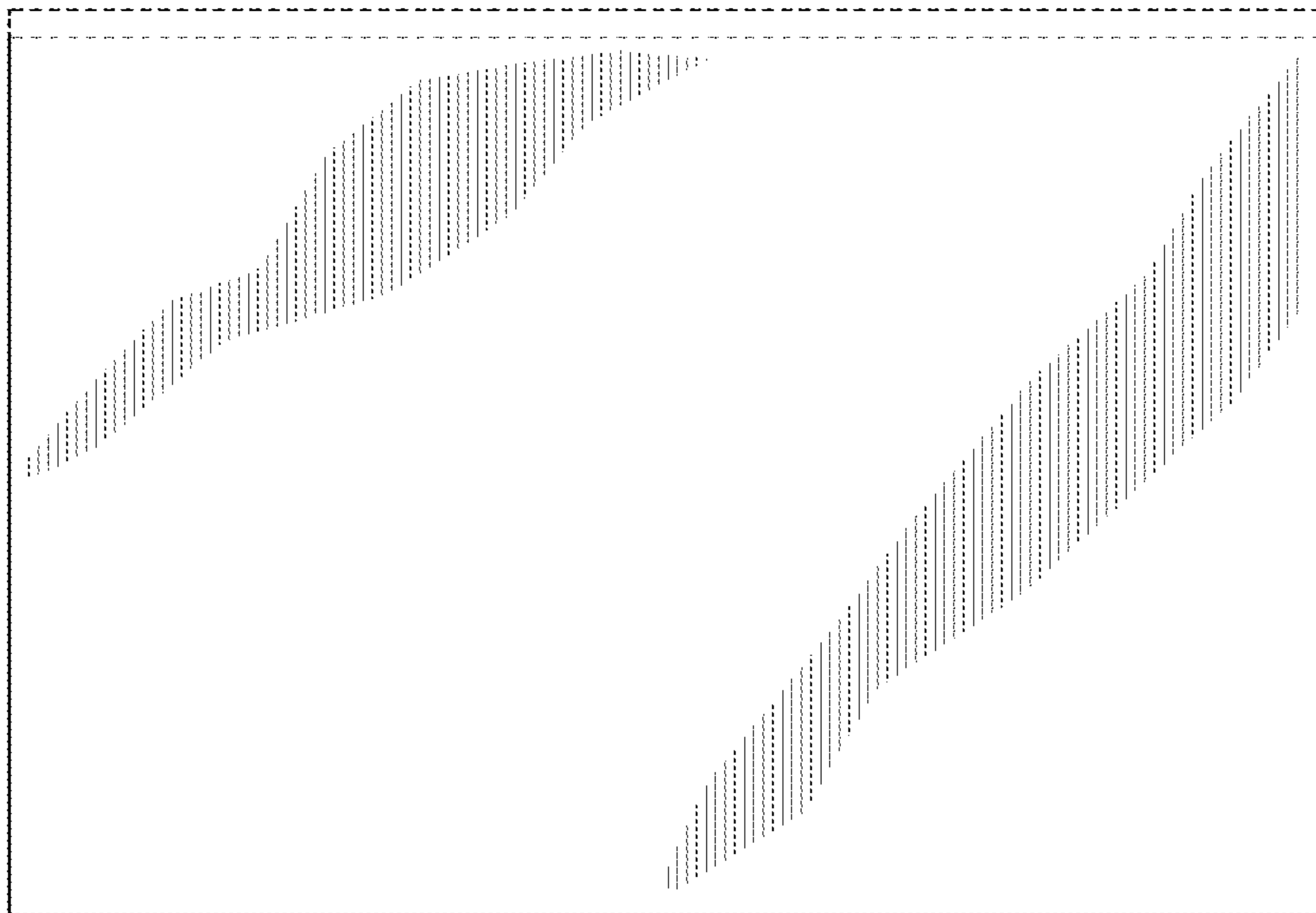


FIG. 12

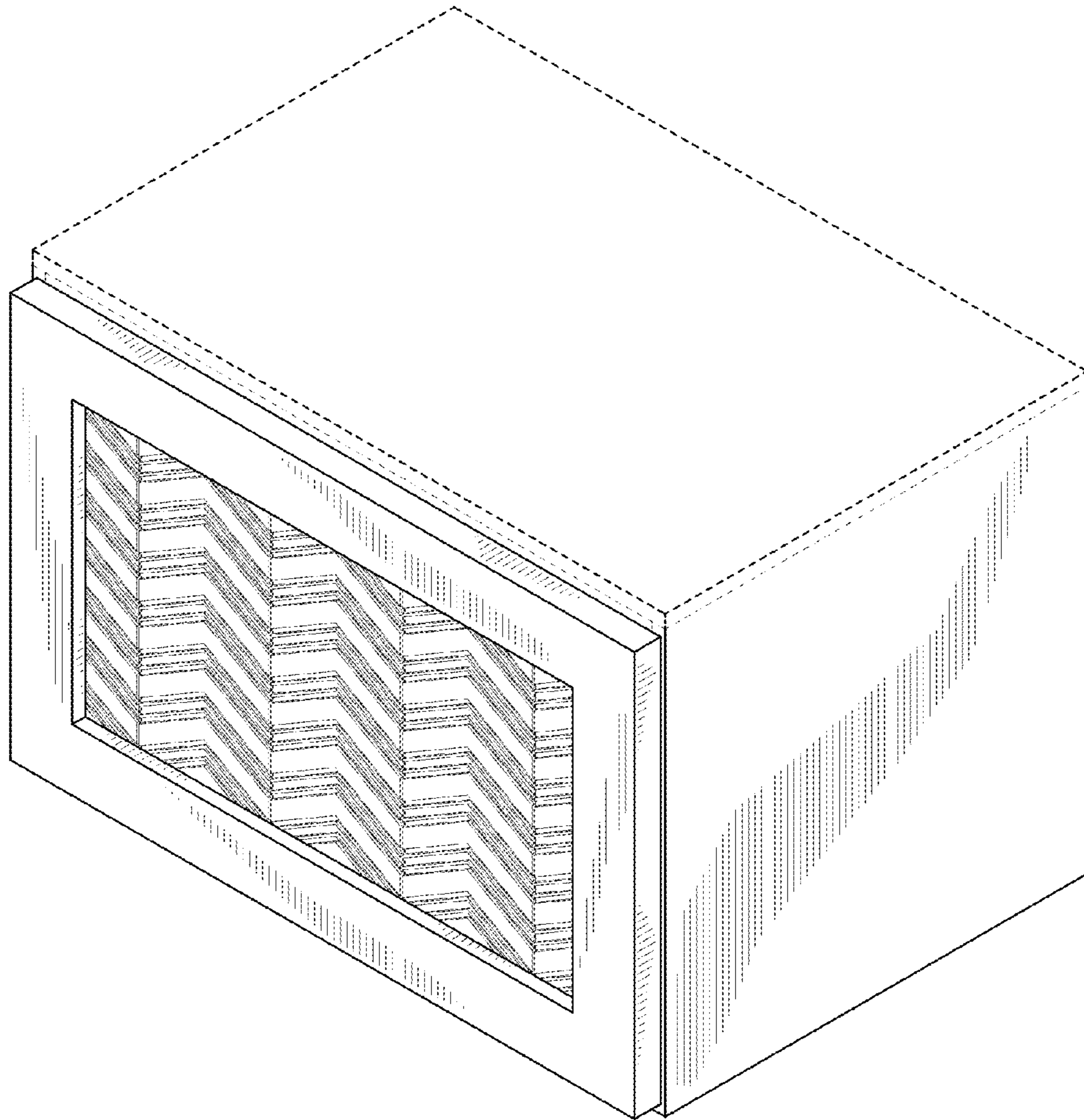


FIG. 13

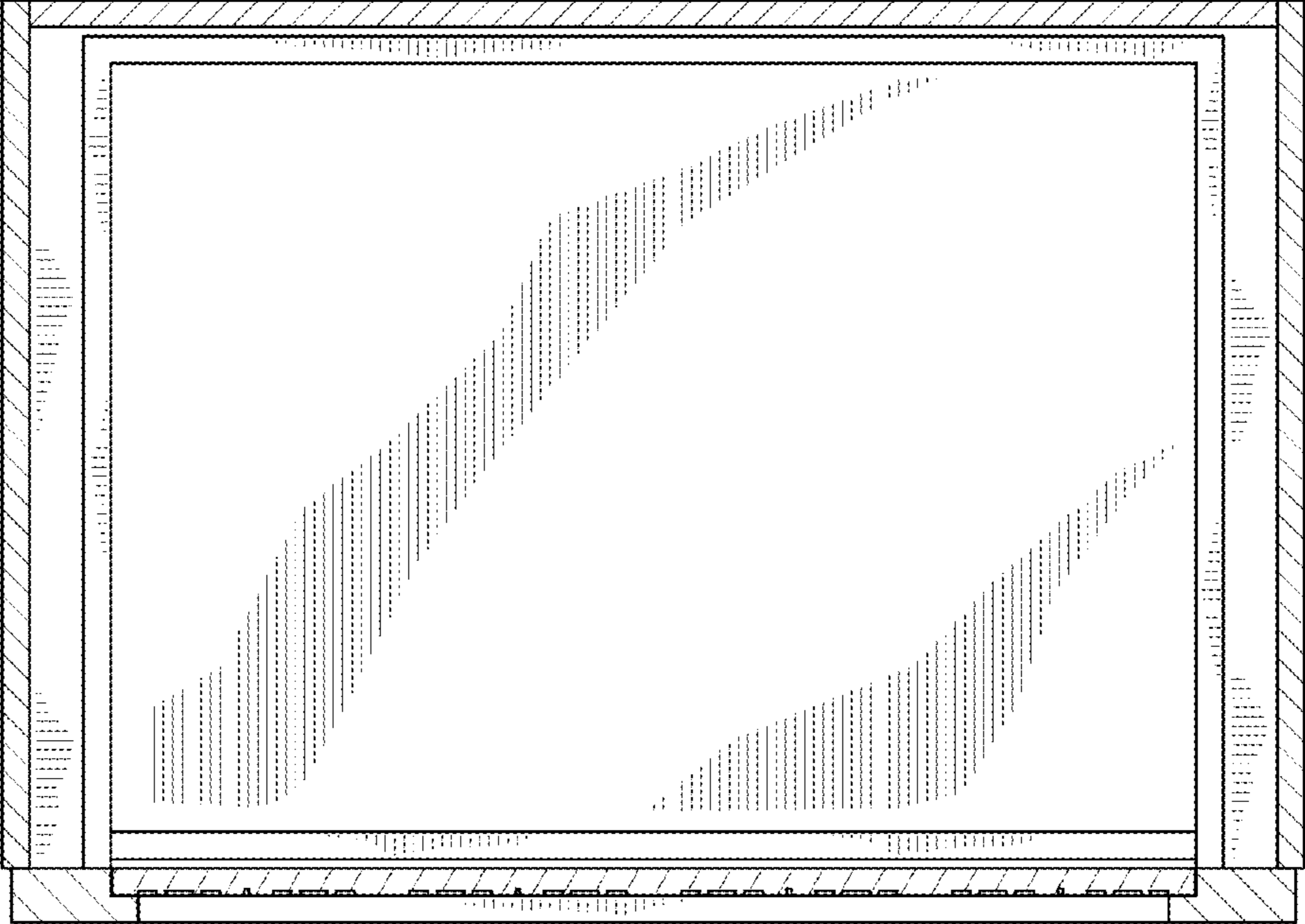


FIG. 14

