



US00D742657S

(12) **United States Design Patent**
Cross et al.

(10) **Patent No.:** **US D742,657 S**
(45) **Date of Patent:** **** Nov. 10, 2015**

(54) **HIGH CHAIR**

(71) Applicant: **Graco Children's Products Inc.,**
Atlanta, GA (US)

(72) Inventors: **Brandon Seth Cross**, Atlanta, GA (US);
Bradley Keith Hondros, Atlanta, GA
(US); **Brady Matthew Schroeder**,
Milton, GA (US)

(73) Assignee: **Graco Children's Products, Inc.,**
Atlanta, GA (US)

(**) Term: **14 Years**

(21) Appl. No.: **29/467,370**

(22) Filed: **Sep. 18, 2013**

(51) **LOC (10) Cl.** **06-01**

(52) **U.S. Cl.**
USPC **D6/339**

(58) **Field of Classification Search**
USPC D6/333-335, 339, 702, 716, 716.1,
D6/716.2, 716.4, 716.7; D21/412, 419;
280/30-31; 5/655, 94, 98.1, 99.1, 101,
5/102, 105; 297/183.1-183.4, 184.13,
297/184.15, 184.17, 250.1, 256.15, 256.16
See application file for complete search history.

(56) **References Cited**

U.S. PATENT DOCUMENTS

5,087,097 A 2/1992 Hehn
5,348,374 A 9/1994 Kuo
5,527,090 A 6/1996 Cone, II
D373,029 S 8/1996 Mariol et al.
5,558,400 A 9/1996 Poulson et al.
D383,009 S * 9/1997 Piretti D6/372
D393,372 S 4/1998 Turner

D428,715 S 8/2000 Brevi
D456,163 S * 4/2002 Englisch D6/372
6,419,312 B1 7/2002 Flannery et al.
6,631,950 B1 10/2003 Madole
D512,579 S * 12/2005 Igarashi D6/372

(Continued)

FOREIGN PATENT DOCUMENTS

AU 199895777 A 4/1999
DE 4429573 C2 6/1997

(Continued)

OTHER PUBLICATIONS

Albee Baby, "Stokke Tripp Trapp Highchair Anniversary Edition
(Natural)," www.albeebaby.com/stokke-tripp-trapp-highchair-anniversary-edition-natural.html, retrieval date: Jan. 16, 2014, 2 pages.

(Continued)

Primary Examiner — Susan Bennett Hattan

Assistant Examiner — Abraham Bahta

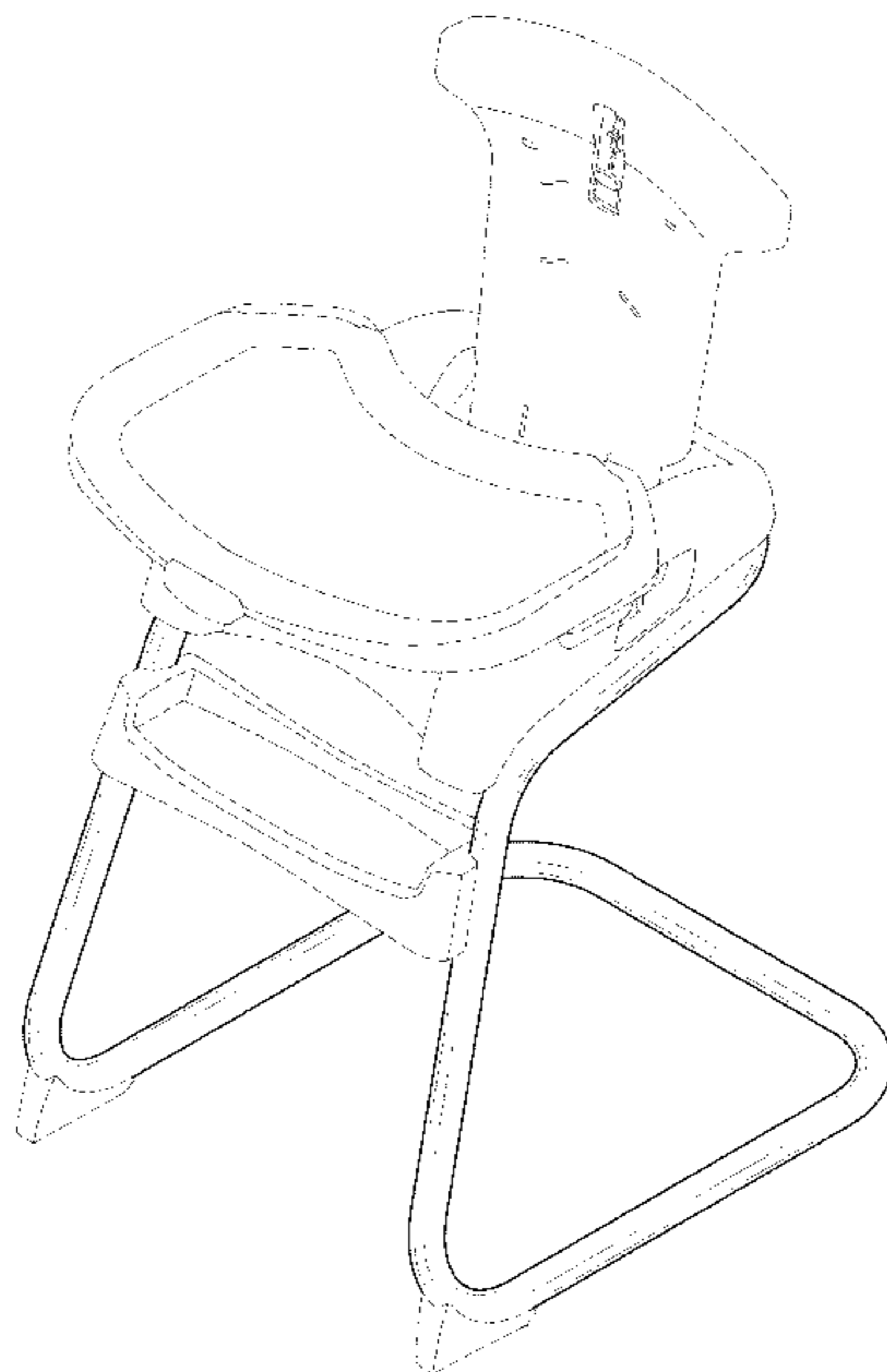
(57) **CLAIM**

The ornamental design for a "high chair," as shown and described.

DESCRIPTION

FIG. 1 is a front perspective view of a high chair, showing our new design, according to one embodiment;
FIG. 2 is a front view of the high chair shown in FIG. 1;
FIG. 3 is a rear view of the high chair shown in FIG. 1;
FIG. 4 is a left side view of the high chair shown in FIG. 1;
FIG. 5 is a right side view of the high chair shown in FIG. 1;
FIG. 6 is a top view of the high chair shown in FIG. 1; and,
FIG. 7 is a bottom view of the high chair shown in FIG. 1.
The subject matter shown in dashed lines is for illustrative purposes and forms no part of the claimed design.

1 Claim, 7 Drawing Sheets



(56)

References Cited

OTHER PUBLICATIONS

U.S. PATENT DOCUMENTS

D550,977	S	*	9/2007	Igarashi	D6/372
D572,927	S	*	7/2008	Bernett et al.	D6/372
D579,225	S	*	10/2008	Citterio	D6/372
D590,159	S		4/2009	Lin		
D590,617	S	*	4/2009	Benn	D6/372
D606,769	S	*	12/2009	Ballendat	D6/372
7,673,934	B2		3/2010	Bearup et al.		
D617,110	S	*	6/2010	Dorner	D6/372
D618,001	S		6/2010	Bearup et al.		
D618,925	S		7/2010	Fiore, Jr. et al.		
D619,817	S		7/2010	Gower et al.		
D622,074	S	*	8/2010	Igarashi	D6/372
7,922,244	B2		4/2011	Bearup		
D648,964	S	*	11/2011	Brodbeck	D6/500
D658,397	S	*	5/2012	Andreucci et al.	D6/372
8,201,879	B2		6/2012	Hartenstine et al.		
2008/0290699	A1		11/2008	Golias		
2013/0069398	A1		3/2013	Chuah		
2013/0214564	A1		8/2013	Hu et al.		
2013/0214571	A1		8/2013	Opsvik et al.		

FOREIGN PATENT DOCUMENTS

DE			20100094	U1		4/2001
DE			20307043	U1		10/2003
DE			10230894	A1		1/2004
DE			202009011008	U1		3/2010
DE			202011105782	U1		2/2012
FR			2702639	A3		9/1994
JP			H8019445	A		1/1996
JP			04189543	B2		12/2008
WO			2006072402	A1		7/2006
WO			2008022643	A1		2/2008

Quidsi Solutions LLC, "BabyHome Eat High Chair—Navy," www.diapers.com/p/babyhome-eat-high-chair-navy-836165, retrieval date: Jan. 16, 2014, 4 pages.

Quidsi Solutions LLC, "Combi High Chair—Raspberry," www.diapers.com/p/combi-high-chair-raspberry-894336, retrieval date: Jan. 16, 2014, 3 pages.

Quidsi Solutions LLC, "Fisher-Price EZ Clean High Chair—Love U Zoo," www.diapers.com/p/fisher-price-luv-u-zoo-ez-clean-high-chair-85169, retrieval date: Jan. 16, 2014, 4 pages.

Quidsi Solutions LLC, "Inglesina Zuma Gray Highchair—Cream," www.diapers.com/p/inglesina-zuma-gray-highchair-fuchsia-802726, retrieval date: Jan. 16, 2014, 4 pages.

Quidsi Solutions LLC, "phil&teds Highpod Highchair—Black," www.diapers.com/p/philteds-highpod-highchair-black-26091, retrieval date: Jan. 16, 2014, 3 pages.

EurekaKids, "I-sit highchair green Chicco," www.eurekakids.com/babycare/chicco/i-sit-highchair-green, retrieval date: Jan. 16, 2014, 6 pages.

Graco, "Blossom 4-in-1 Seating System," www.gracobaby.com/products/pages/blossom-4-in-1-seating-system-vance.aspx, retrieval date: Jan. 16, 2014, 3 pages.

Graco, "DuoDiner LX Highchair," www.gracobaby.com/products/pages/duodiner-lx-highchair-tangerine.aspx, retrieval date: Jan. 17, 2014, 3 pages.

Graco, "SimpleSwitch Highchair," www.gracobaby.com/products/pages/simpleswitch-highchair-pasadena.aspx, retrieval date: Jan. 17, 2014, 3 pages.

StrollerDepot, "Mamas & Papas Go Eat Highchair," www.strollerdepot.com/items/mamas-and-papas-go-eat-high-chair/, retrieval date: Jan. 16, 2014, 2 pages.

* cited by examiner

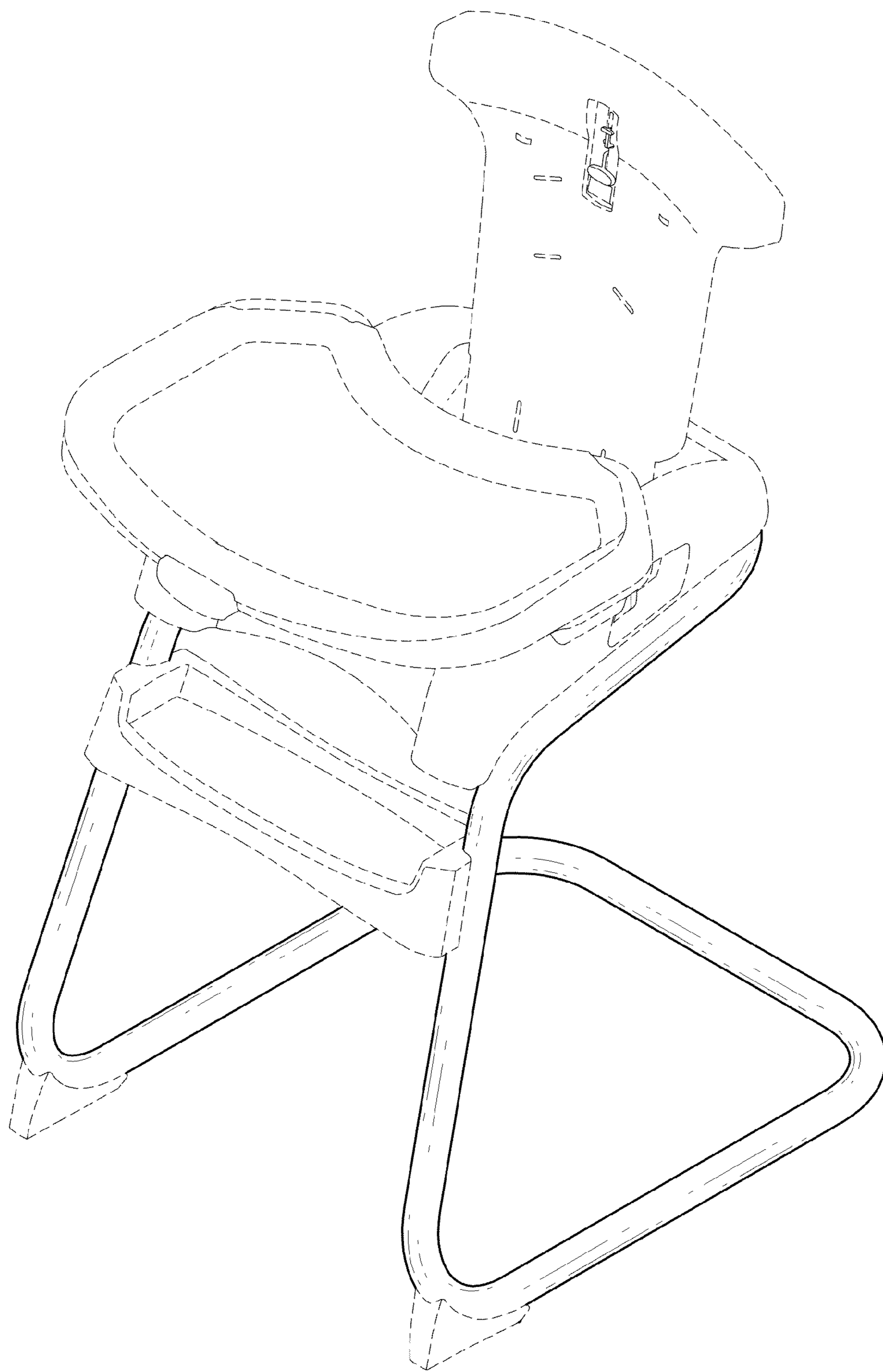


FIG. 1

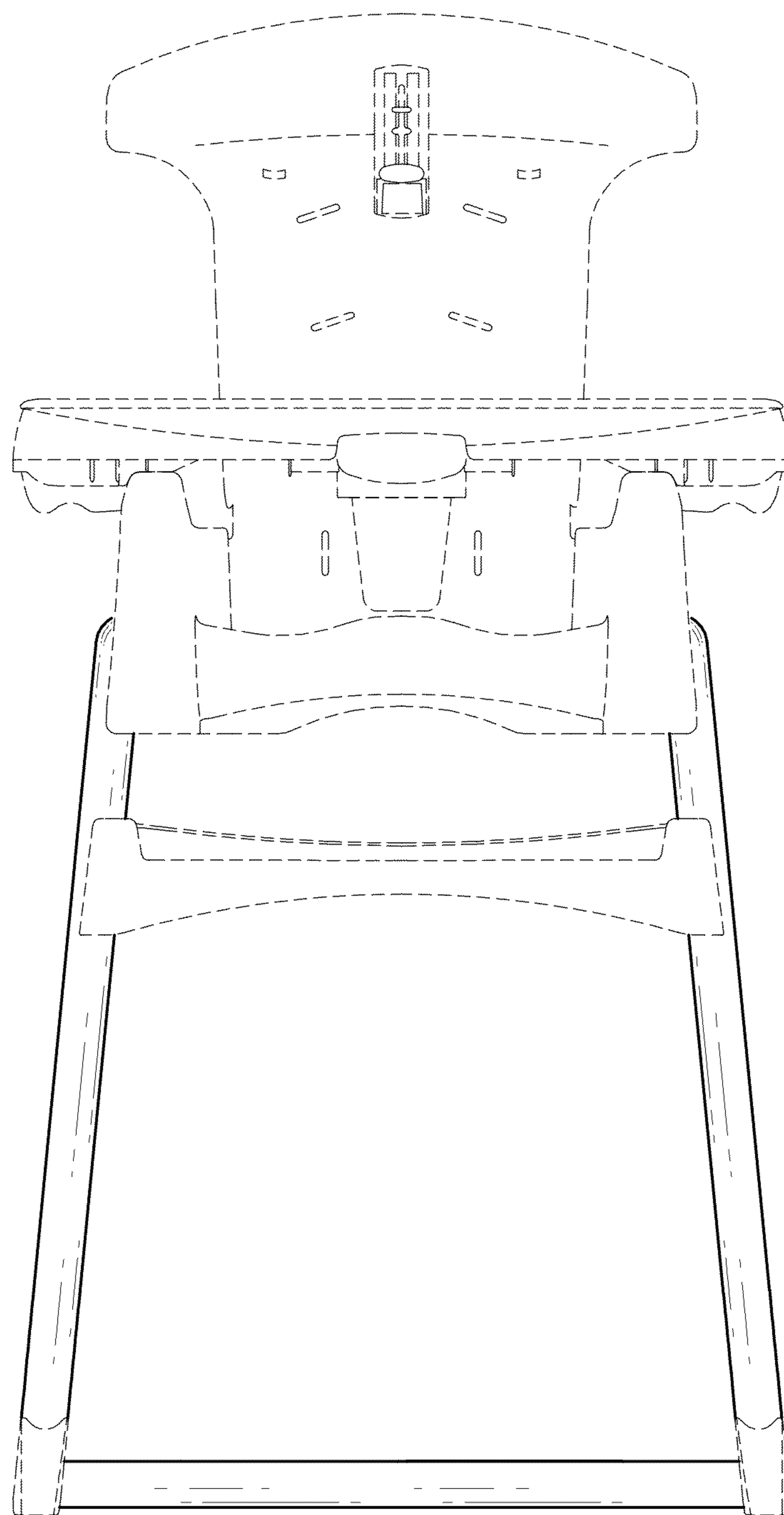


FIG. 2

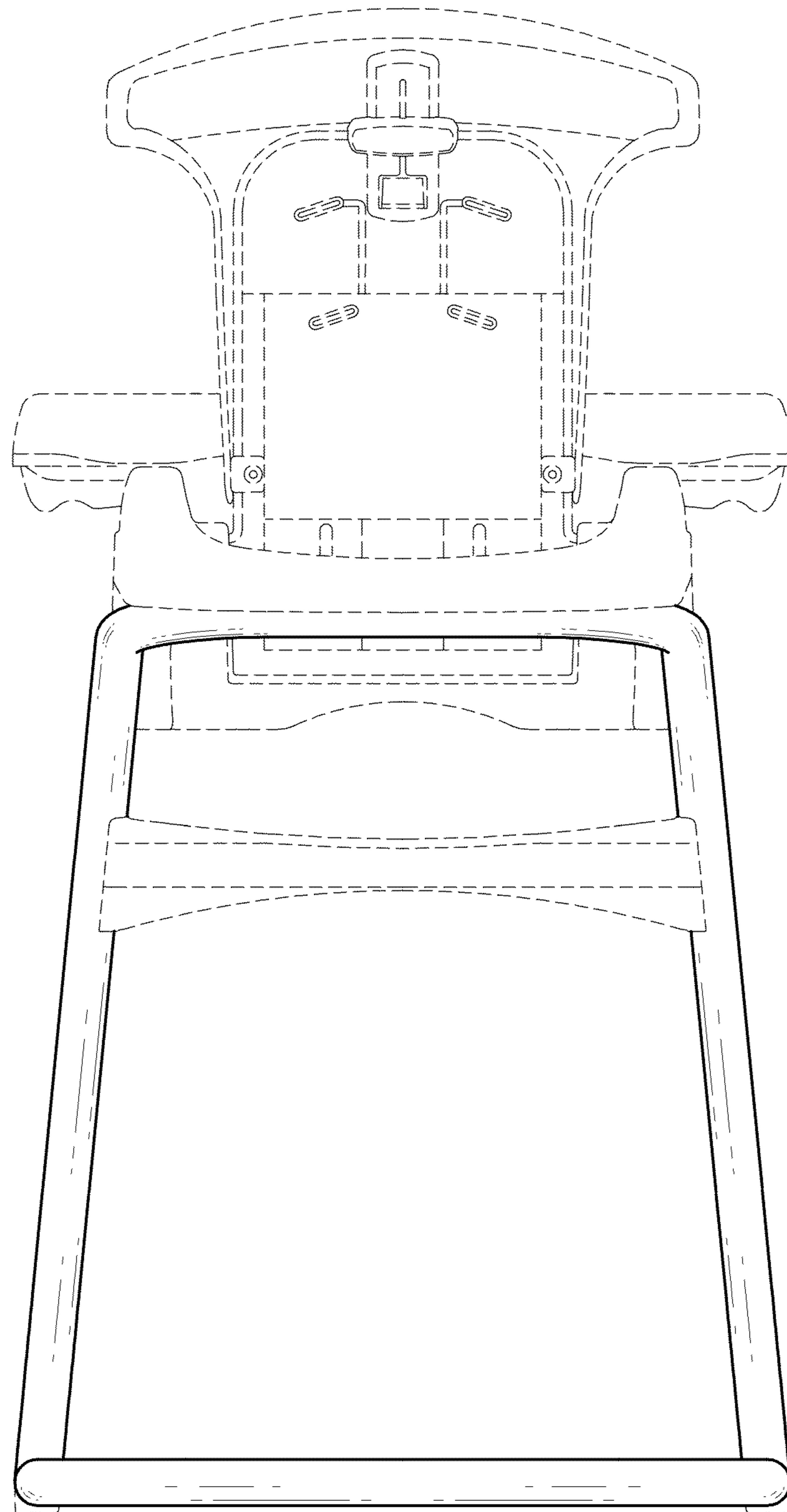


FIG. 3

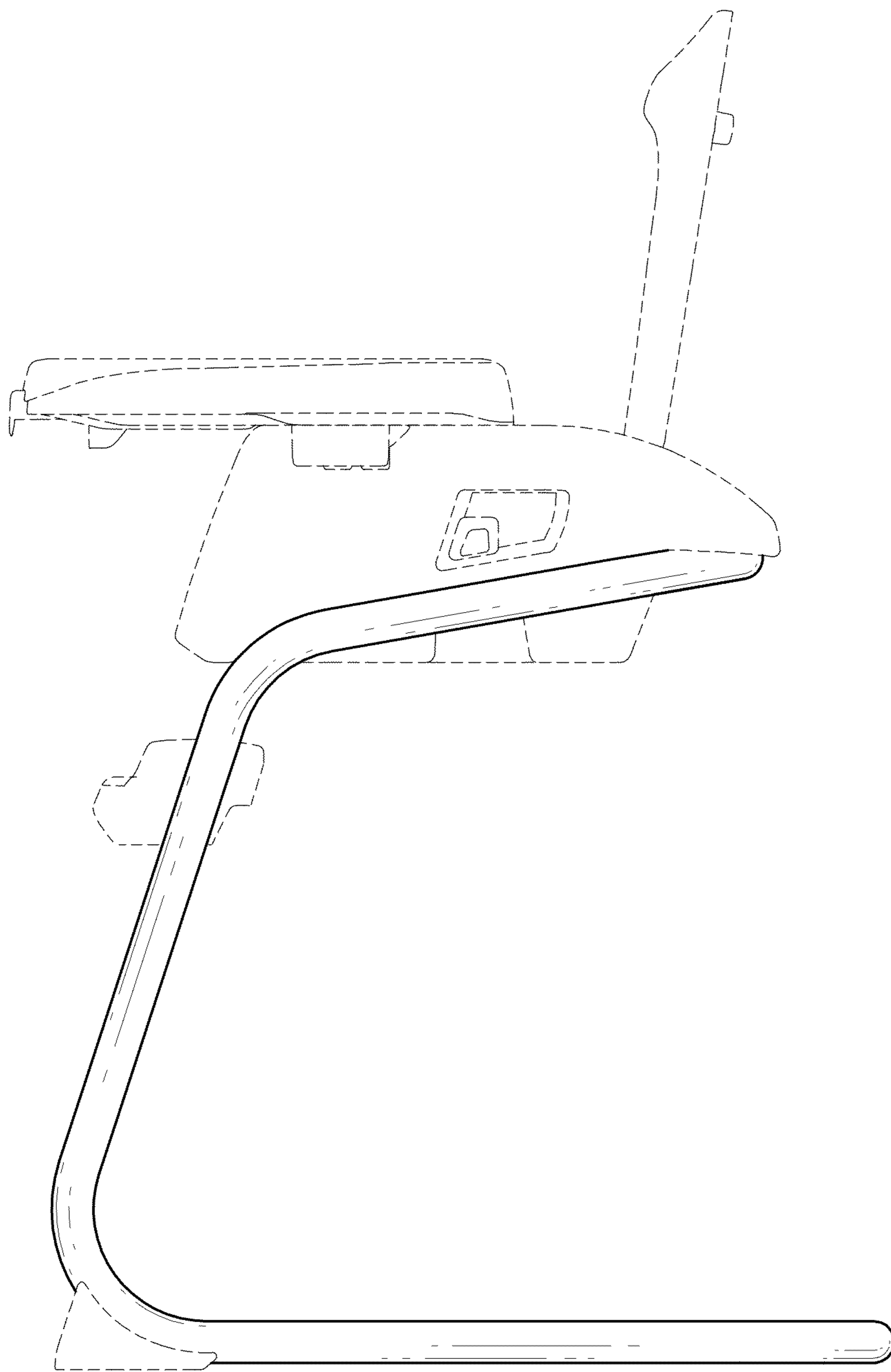


FIG. 4

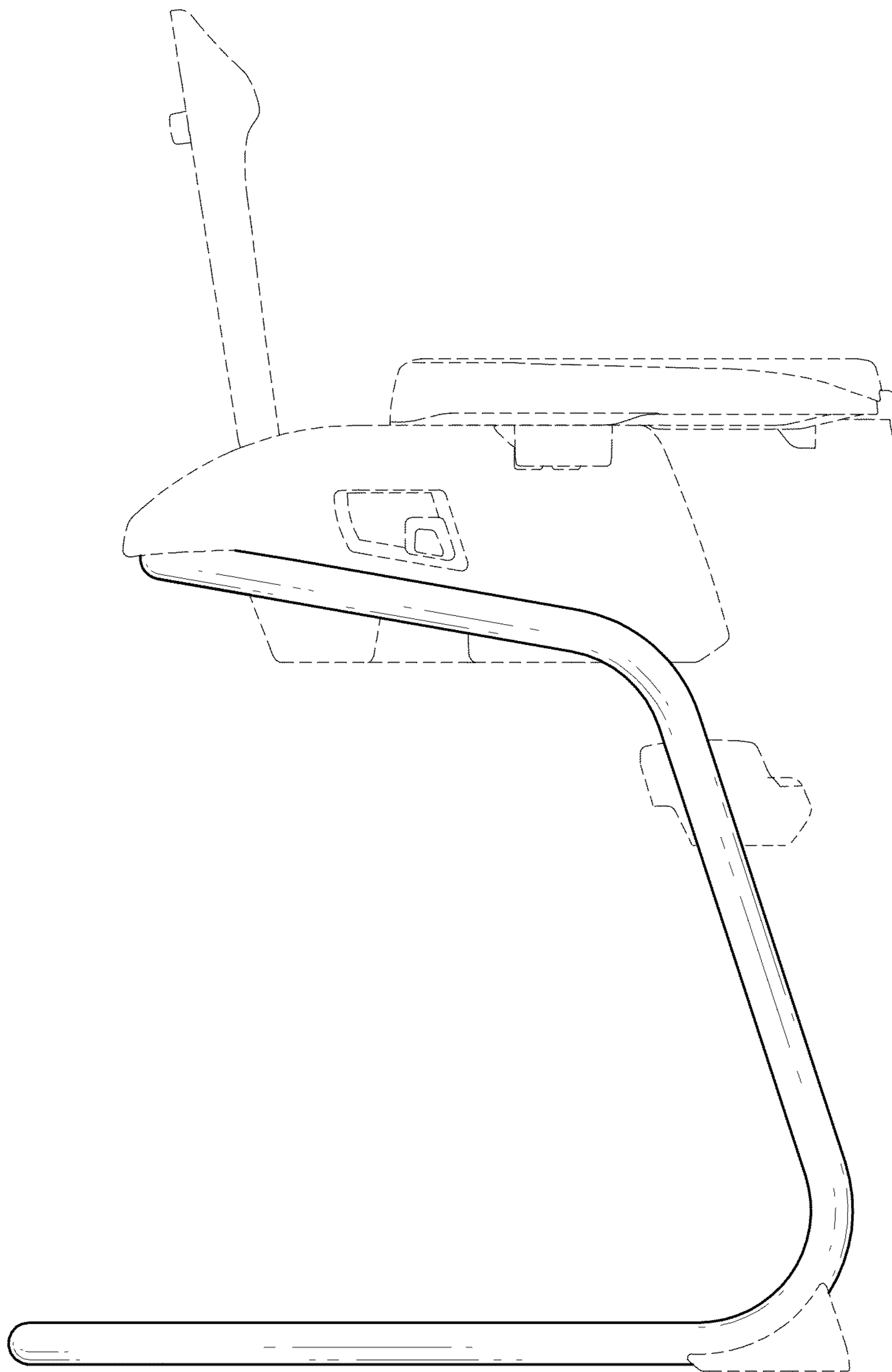


FIG. 5

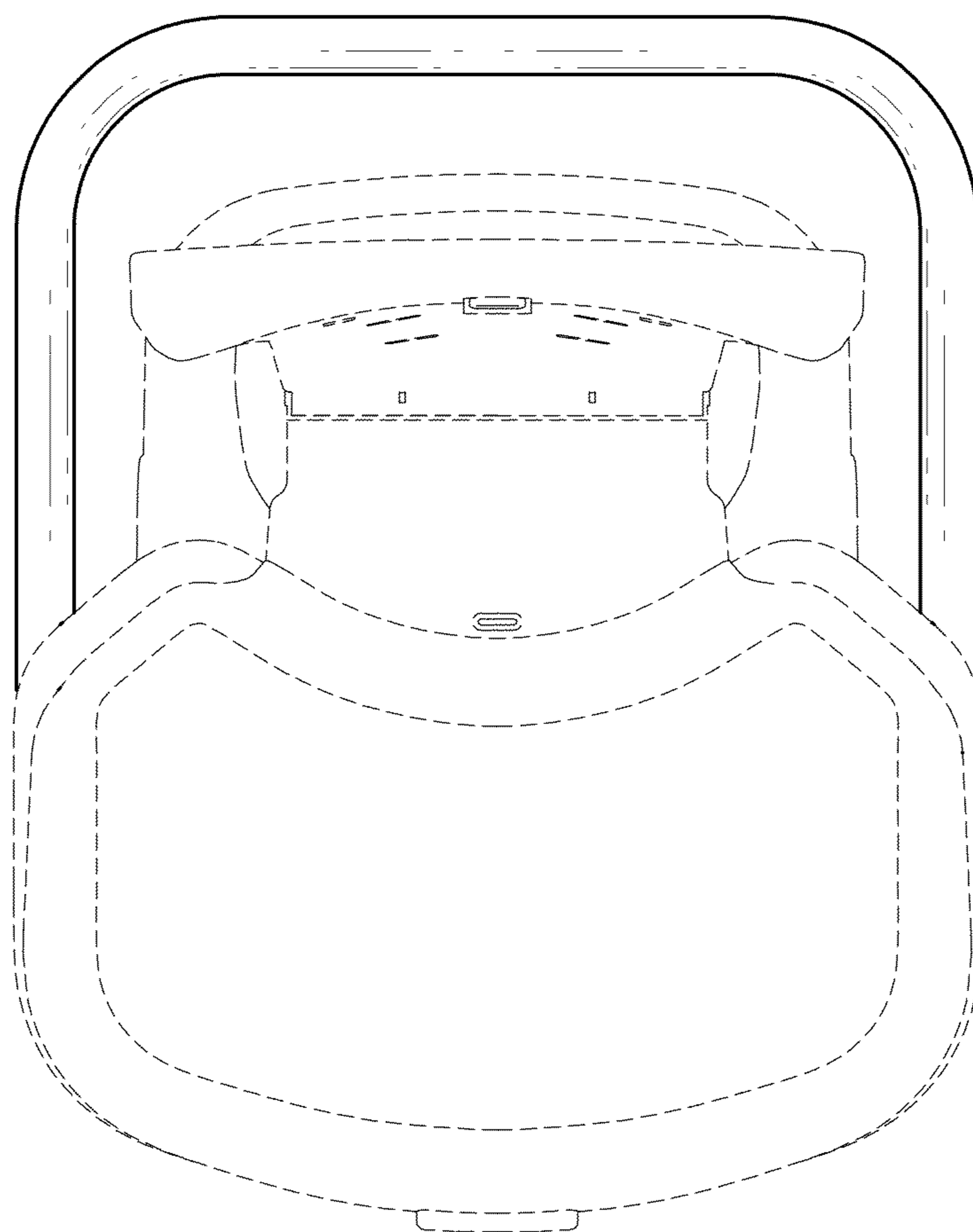


FIG. 6

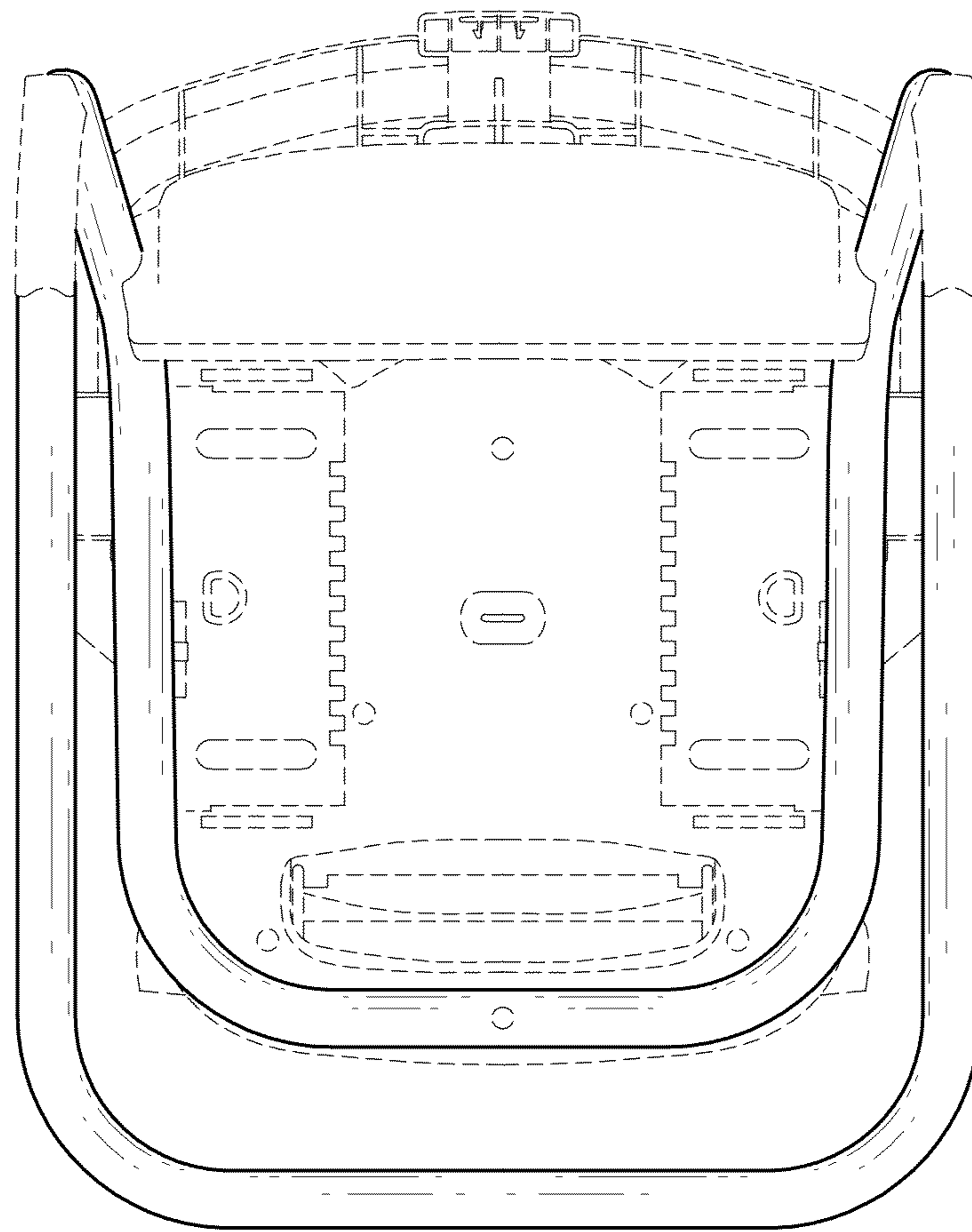


FIG. 7