



US00D742655S

(12) **United States Design Patent**  
**Opsvik**

(10) **Patent No.:** **US D742,655 S**

(45) **Date of Patent:** **\*\* Nov. 10, 2015**

(54) **CHILD CHAIR**

(71) Applicant: **EVOMOVE A/S, Søborg (DK)**

(72) Inventor: **Peter Opsvik, Oslo (NO)**

(73) Assignee: **EVOMOVE A/S, Søborg (DK)**

(\*\*) Term: **14 Years**

(21) Appl. No.: **29/509,139**

(22) Filed: **Nov. 14, 2014**

(51) **LOC (10) Cl.** ..... **06-01**

(52) **U.S. Cl.**  
USPC ..... **D6/333**

(58) **Field of Classification Search**

USPC ..... D6/333-336, 339, 344, 702, 716;  
297/183.1-183.4, 184.13, 184.15,  
297/184.17, 250.1, 255, 256.1, 256.15,  
297/219.12, 463.1; D12/129-130, 133;  
D21/412, 428, 419; 280/30-31; 5/94,  
5/98.1, 99.1, 101-102, 105, 655, 655.3,  
5/93.1, 12.1; 24/200  
CPC ..... A47D 15/00; A47D 13/02; A47C 7/66;  
B62B 9/142  
See application file for complete search history.

(56) **References Cited**

**U.S. PATENT DOCUMENTS**

D362,554 S \* 9/1995 Grundner ..... D6/339  
D460,871 S \* 7/2002 Opsvik ..... D6/367  
D483,958 S \* 12/2003 Chen ..... D6/339  
D576,411 S \* 9/2008 Wang ..... D6/339  
D590,159 S \* 4/2009 Lin ..... D6/339

D590,608 S \* 4/2009 Ebina ..... D6/339  
D608,553 S \* 1/2010 Jonsson et al. .... D6/360  
D619,381 S \* 7/2010 Larsvall ..... D6/339  
D668,068 S \* 10/2012 Chuah ..... D6/339  
D704,460 S \* 5/2014 Maurer et al. .... D6/339

\* cited by examiner

*Primary Examiner* — Caron D Veynar

*Assistant Examiner* — Abraham Bahta

(74) *Attorney, Agent, or Firm* — Adam J. Cermak; Cermak Nakajima & McGowan LLP

(57) **CLAIM**

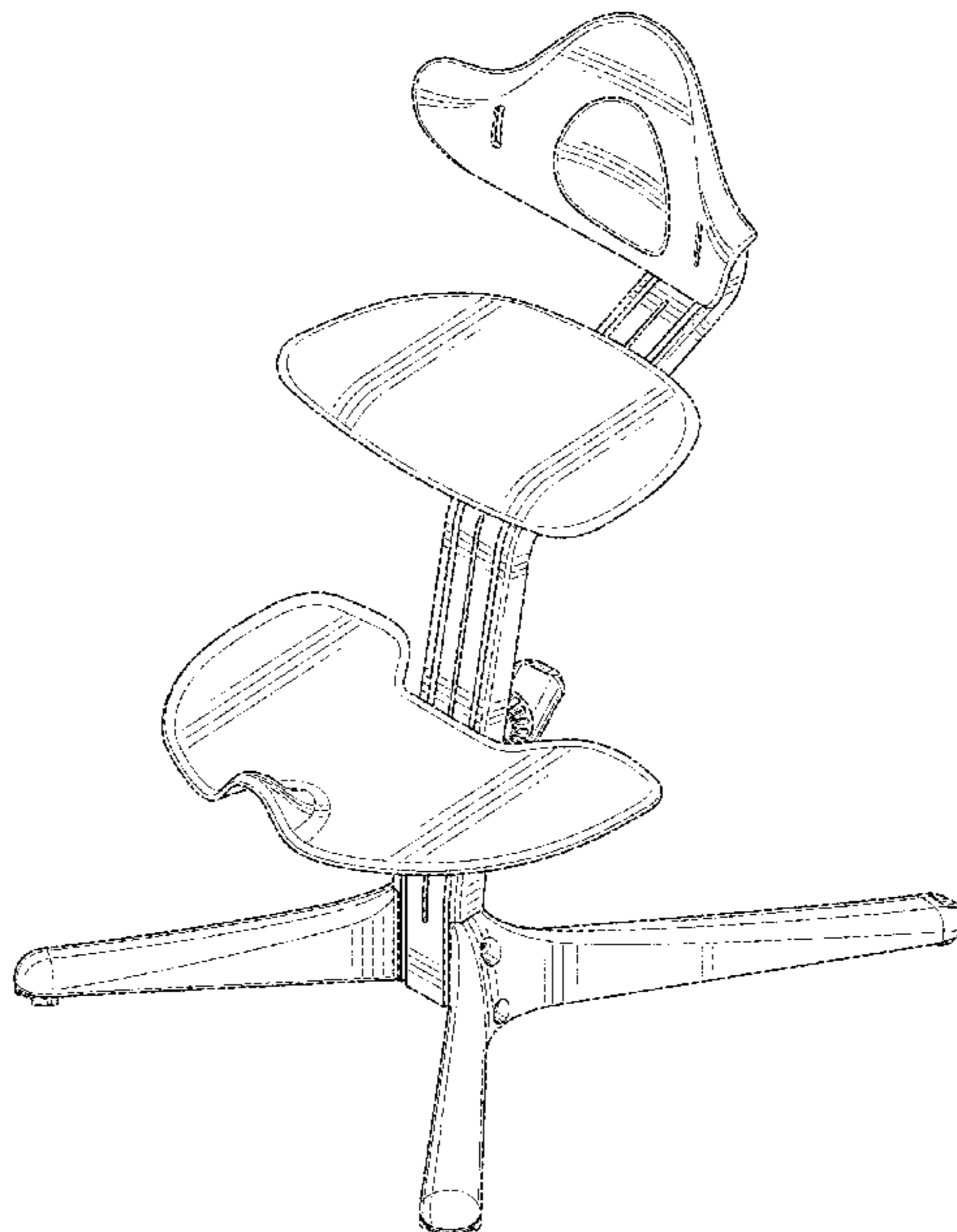
The ornamental design for child chair, as shown and described.

**DESCRIPTION**

FIG. 1 is a top, left, front perspective view of a child chair showing my new design;  
FIG. 2 is a front elevational view of the child chair shown in FIG. 1;  
FIG. 3 is a rear elevational view of the child chair shown in FIG. 1;  
FIG. 4 is a right side elevational view of the child chair shown in FIG. 1;  
FIG. 5 is a left side elevational view of the child chair shown in FIG. 1;  
FIG. 6 is a top plan view of the child chair shown in FIG. 1; and,  
FIG. 7 is a bottom plan view of the child chair shown in FIG. 1.

The broken line showing of portions of the child chair is included for the purpose of illustrating environmental structure and forms no part of the claimed design.

**1 Claim, 7 Drawing Sheets**



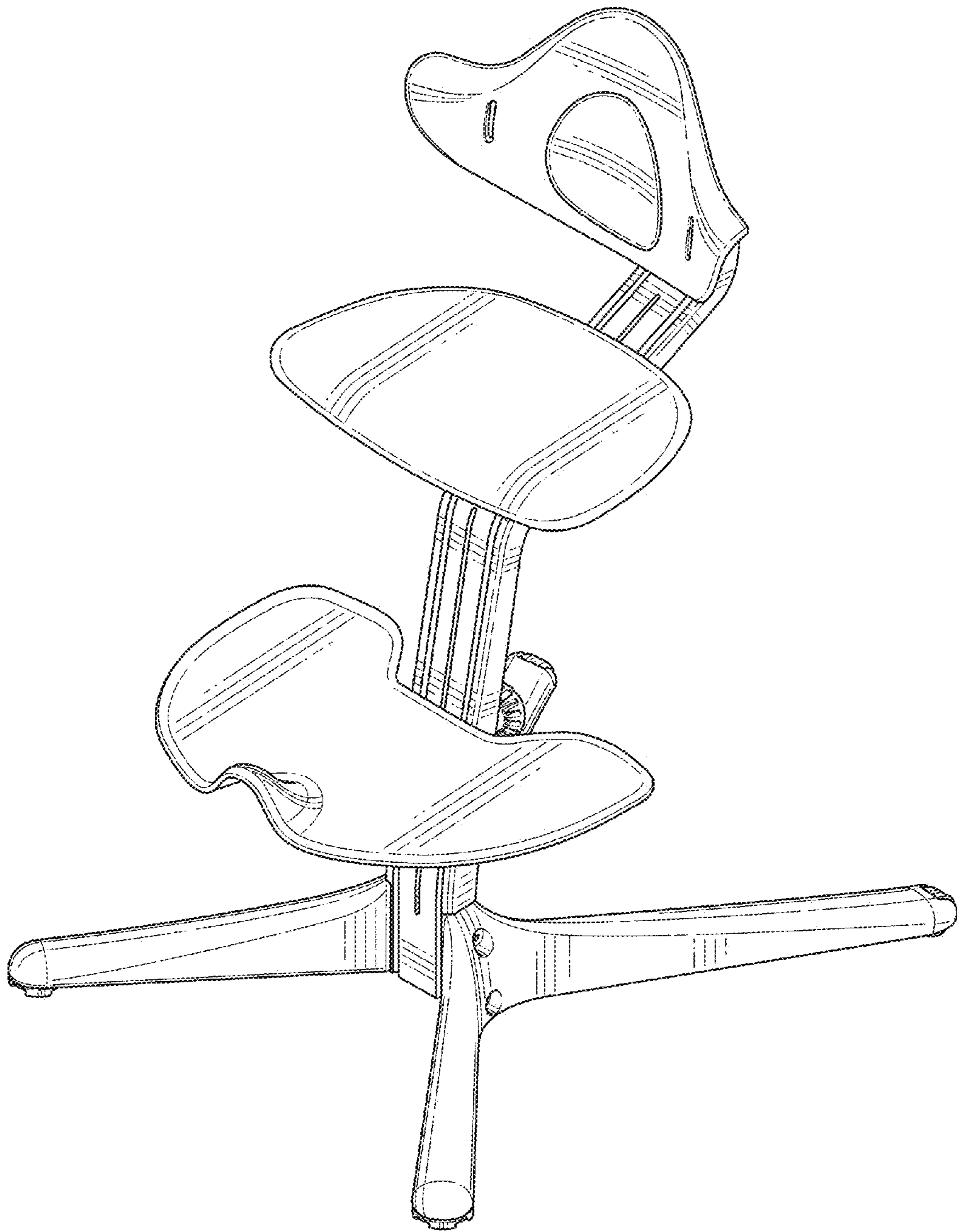


FIG. 1

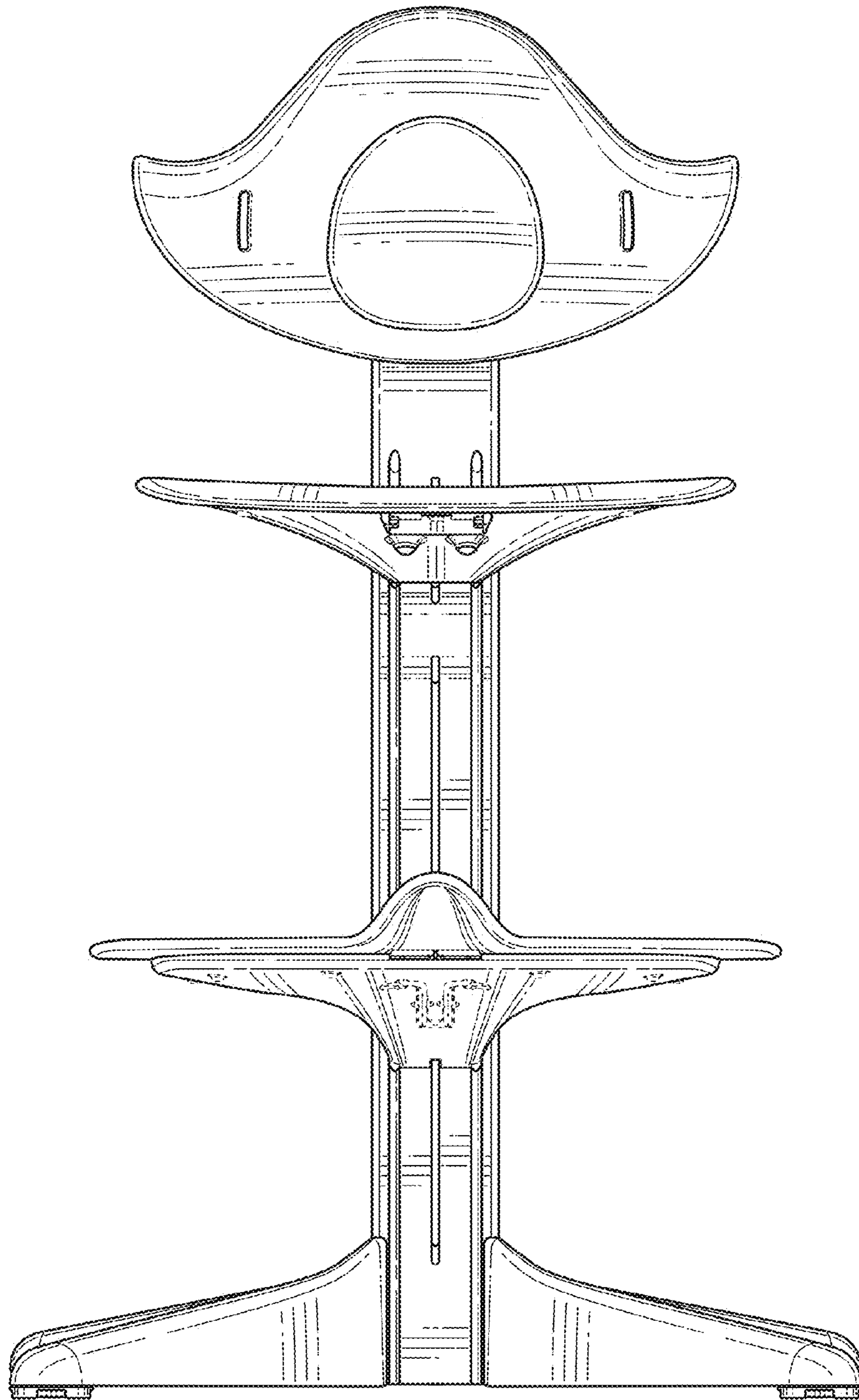


FIG. 2

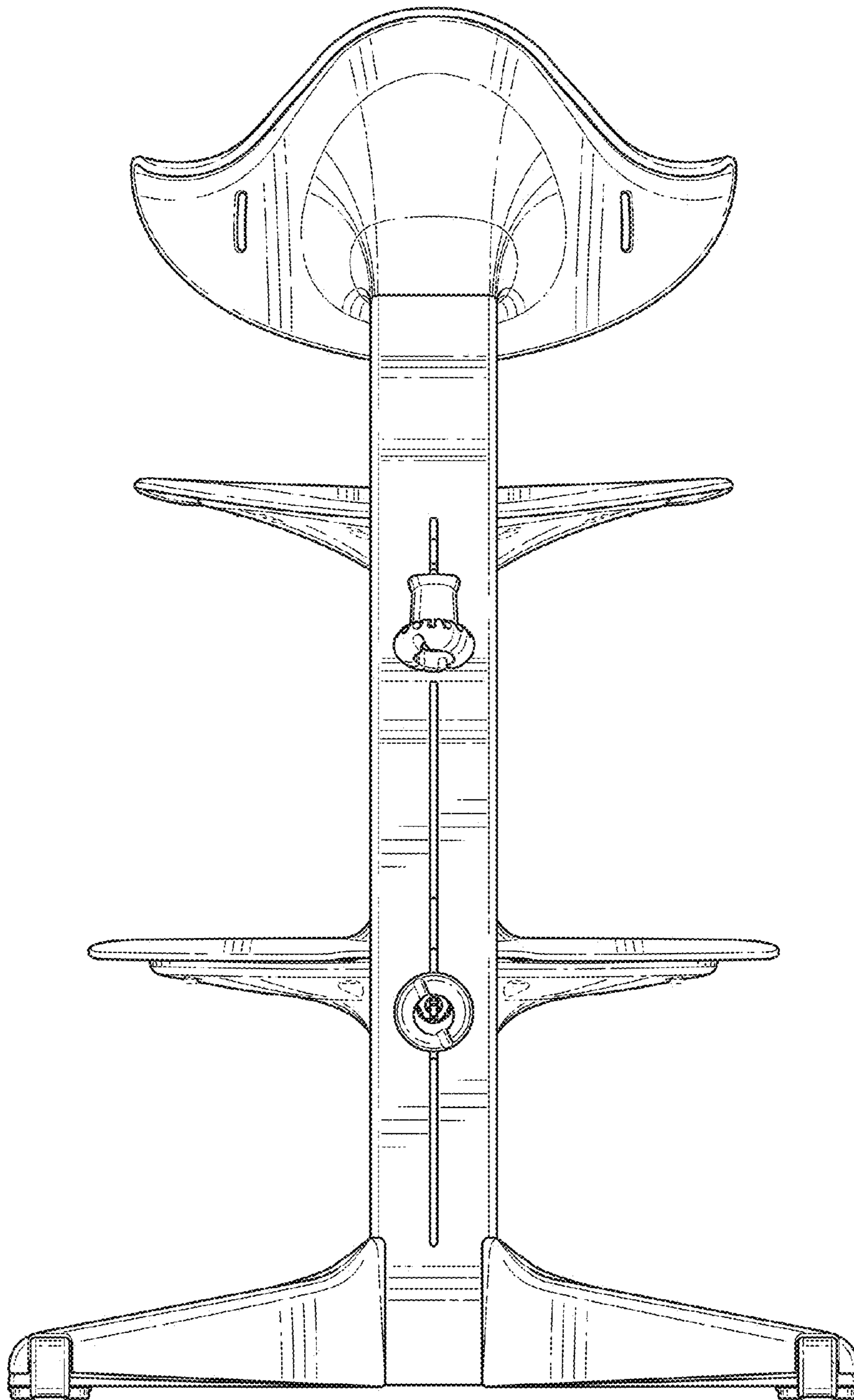


FIG. 3

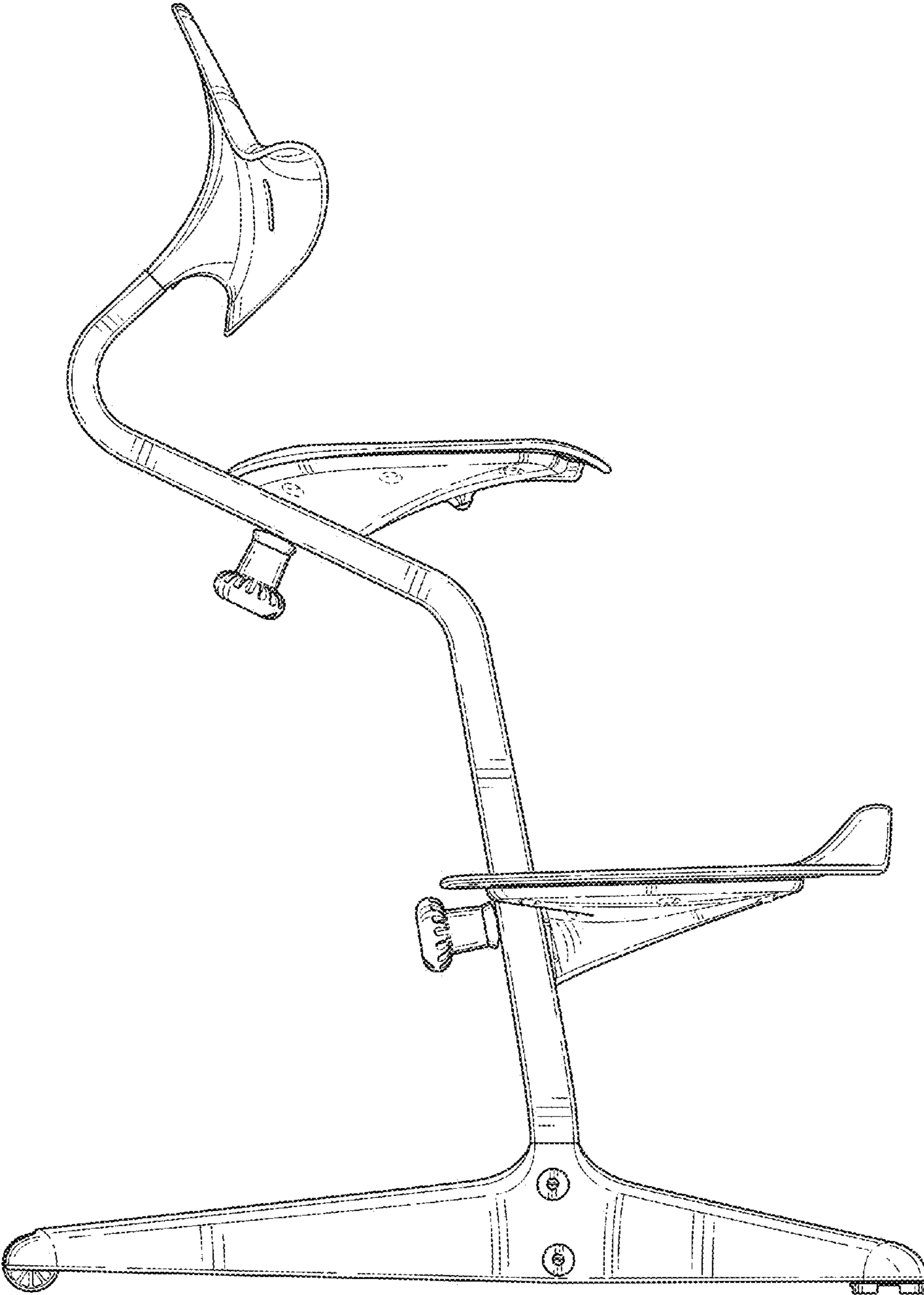


FIG. 4

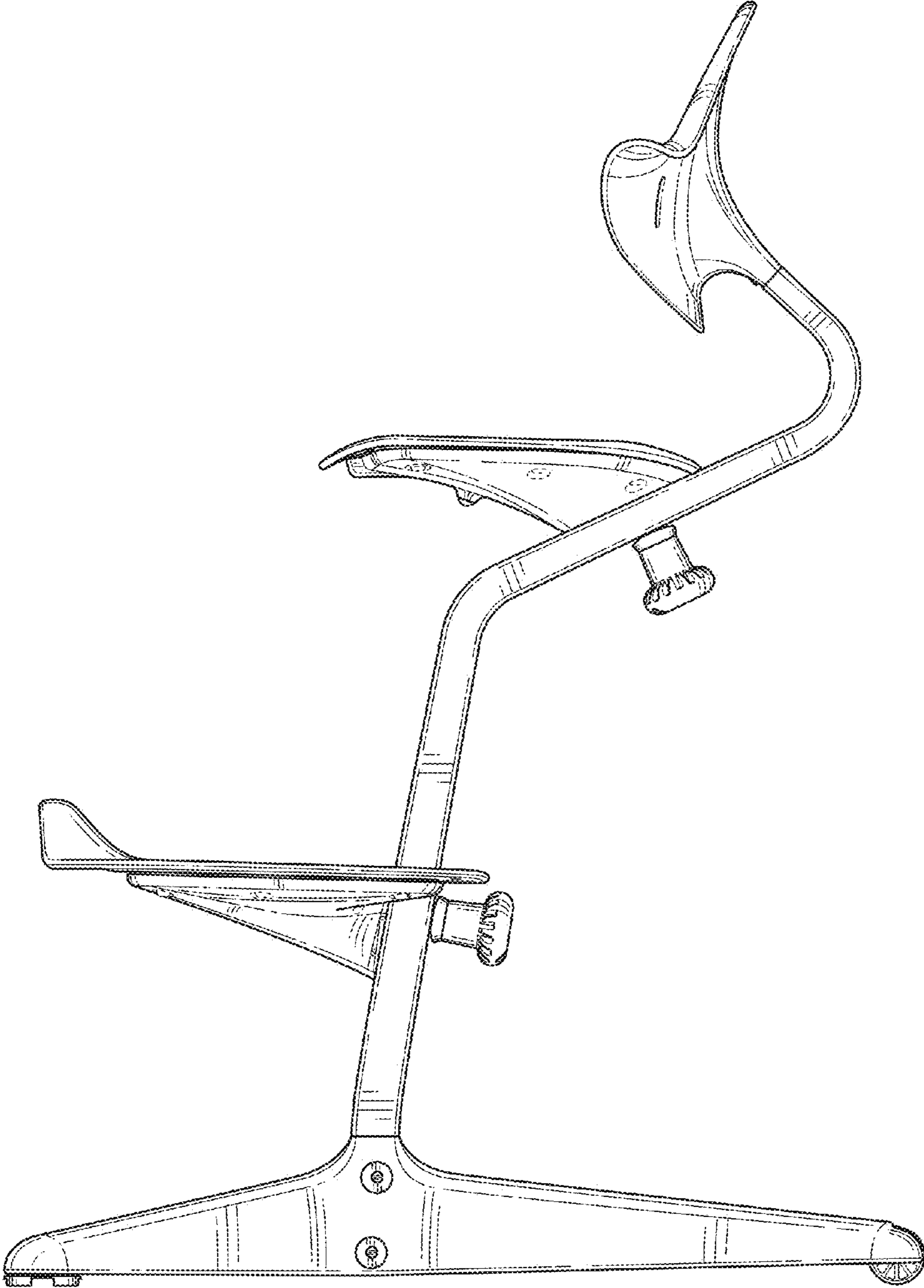


FIG. 5

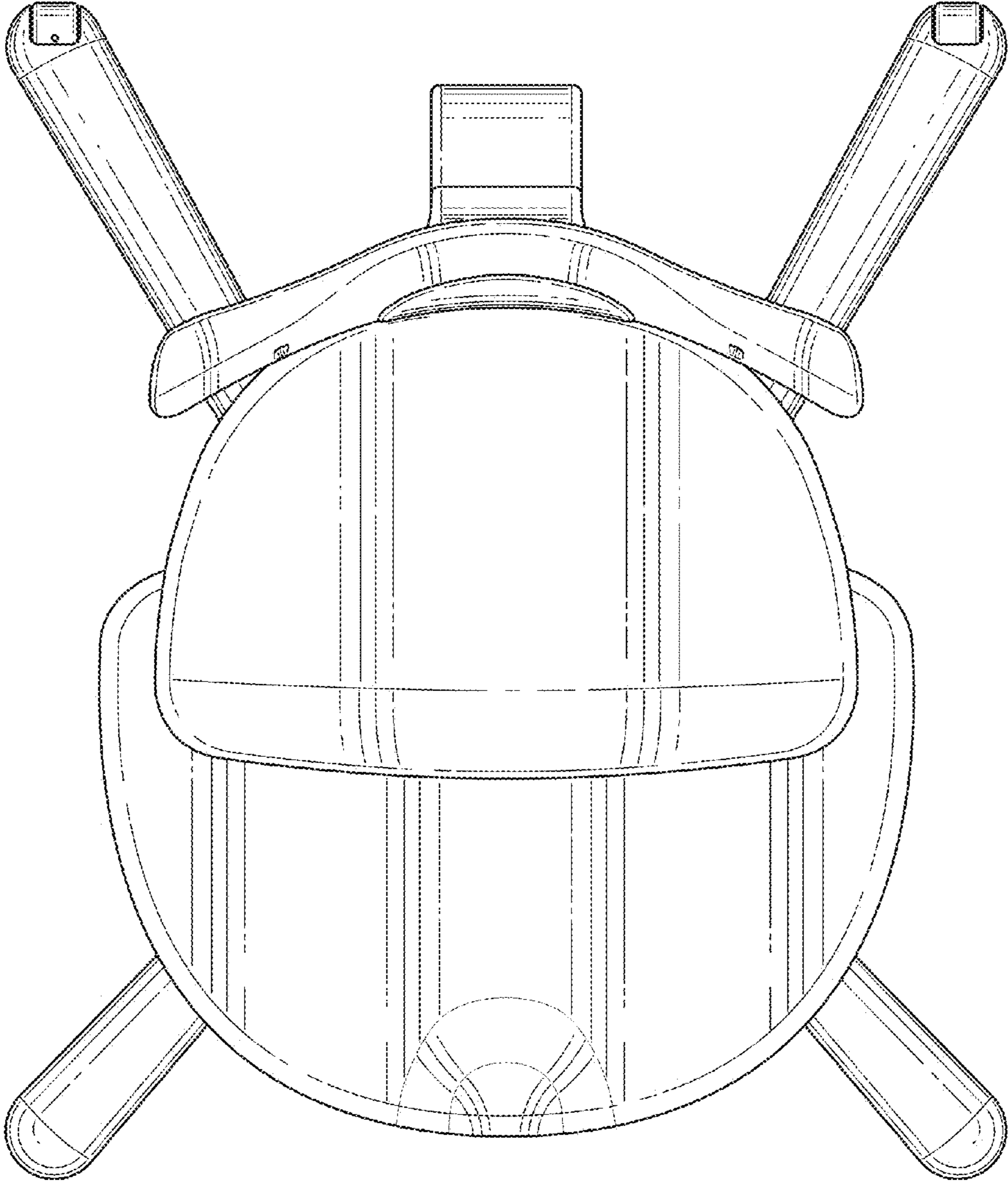


FIG. 6

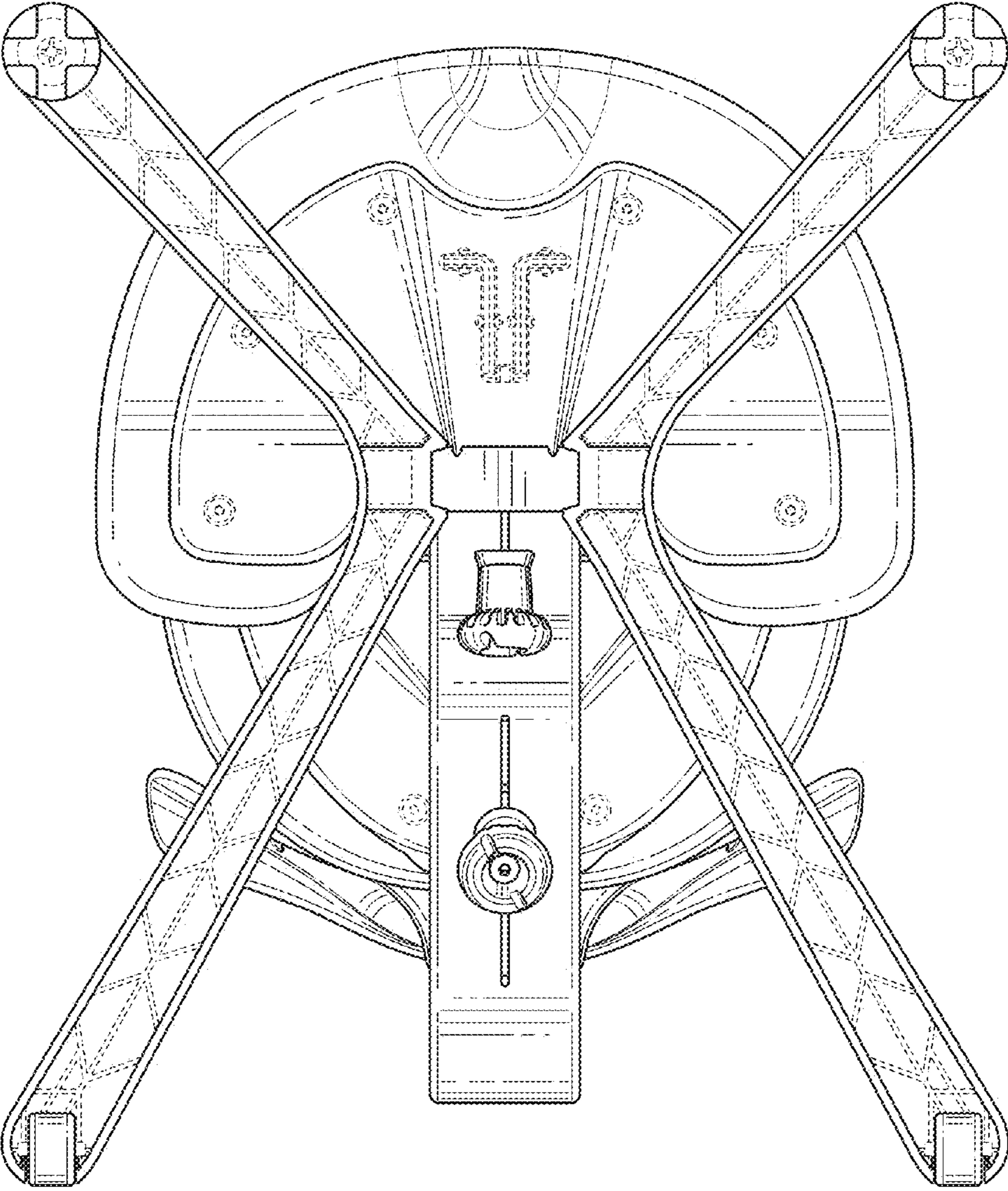


FIG. 7