



US00D742653S

(12) **United States Design Patent**  
**Thorn**

(10) **Patent No.:** **US D742,653 S**

(45) **Date of Patent:** **\*\* Nov. 10, 2015**

(54) **INFLATABLE CHILD SEAT**

(71) Applicant: **James John Thorn**, East Sussex (GB)

(72) Inventor: **James John Thorn**, East Sussex (GB)

(73) Assignee: **OAKTHRIFT CORPORATION LTD**,  
Hertfordshire (GB)

(\*\*) Term: **14 Years**

(21) Appl. No.: **29/507,646**

(22) Filed: **Oct. 29, 2014**

(30) **Foreign Application Priority Data**

May 2, 2014 (EM) ..... 002457333-0001

(51) **LOC (10) Cl.** ..... **06-01**

(52) **U.S. Cl.**  
USPC ..... **D6/333**

(58) **Field of Classification Search**

USPC ..... D6/334-335, 339, 340, 32, 392, 391,  
D6/382, 716.1, 716.4, 718.23, 595,  
D6/601-606, 610-611, 615-616, 621;  
5/653-654, 655.3, 655.5, 710, 644,  
5/706, 909, 636, 655.9, 98.1, 99.1, 945;  
297/219.1, 452.26, 452.41, 446.1,  
297/447.3, 452.1, 180.11, 218.1-218.5,  
297/219.12, 229, 230.13, 448.1, DIG. 8;  
441/127, 129-130; D21/803-804, 809;  
D12/400, 403, 416; 296/136.1, 136.01,  
296/136.11  
CPC ..... A47C 4/54; A47C 7/021; A47C 7/022;  
Y10S 5/909

See application file for complete search history.

(56) **References Cited**

U.S. PATENT DOCUMENTS

3,112,956	A *	12/1963	Schick et al. ....	297/219.1
D300,694	S *	4/1989	Krok .....	D6/333
D315,993	S *	4/1991	Wenderoth .....	D6/333
5,020,168	A *	6/1991	Wood .....	4/573.1
D446,030	S *	8/2001	Linder .....	D6/334
D446,949	S *	8/2001	Linder .....	D6/335
D541,058	S *	4/2007	Dykstra .....	D6/333
7,234,770	B1 *	6/2007	Schiebl .....	297/219.1
D612,187	S *	3/2010	Visco .....	D6/604
D620,263	S *	7/2010	Van Halder .....	D6/334
D661,936	S *	6/2012	Jackson .....	D6/610
D693,133	S *	11/2013	Weeder et al. ....	D6/333

\* cited by examiner

*Primary Examiner* — Caron D Veynar

*Assistant Examiner* — Abraham Bahta

(74) *Attorney, Agent, or Firm* — Weiss & Moy, P.C.;  
Veronica-Adele R. Cao

(57) **CLAIM**

The ornamental design for an inflatable child seat, as shown and described.

**DESCRIPTION**

FIG. 1 is a front view of an inflatable child seat of the present invention;

FIG. 2 is a rear view of the inflatable child seat of FIG. 1;

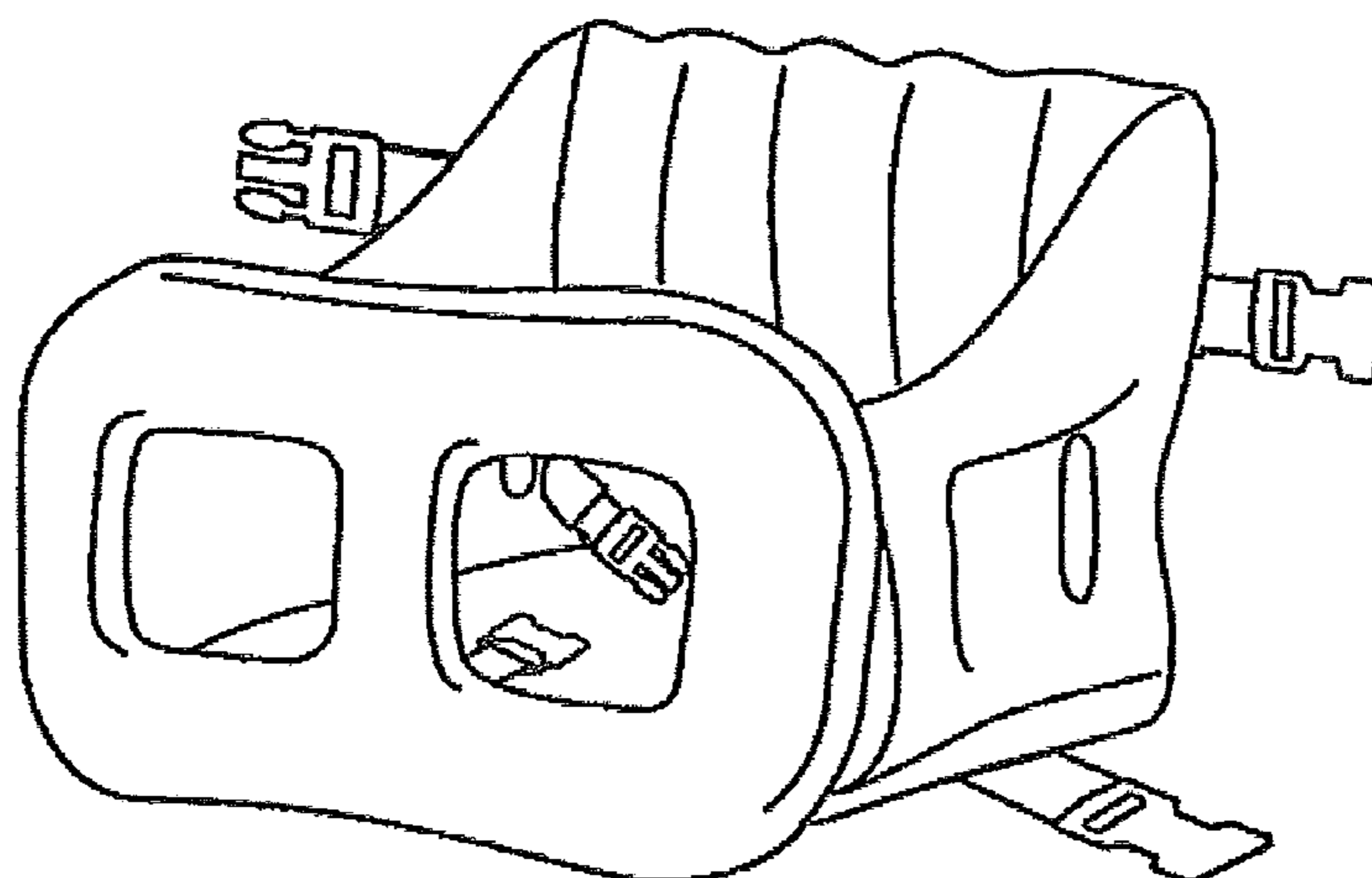
FIG. 3 is a top view of the inflatable child seat of FIG. 1;

FIG. 4 is a bottom view of the inflatable child seat of FIG. 1;

FIG. 5 is a perspective view of the inflatable child seat of FIG. 1;

FIG. 6 is a front perspective view of the inflatable child seat of FIG. 1 shown in use with a chair, wherein the chair is shown in broken lines and forms no part of the claimed design; and, FIG. 7 is rear perspective view of the inflatable child seat of FIG. 1 shown in use with a chair, wherein the chair is shown in broken lines and forms no part of the claimed design.

**1 Claim, 4 Drawing Sheets**



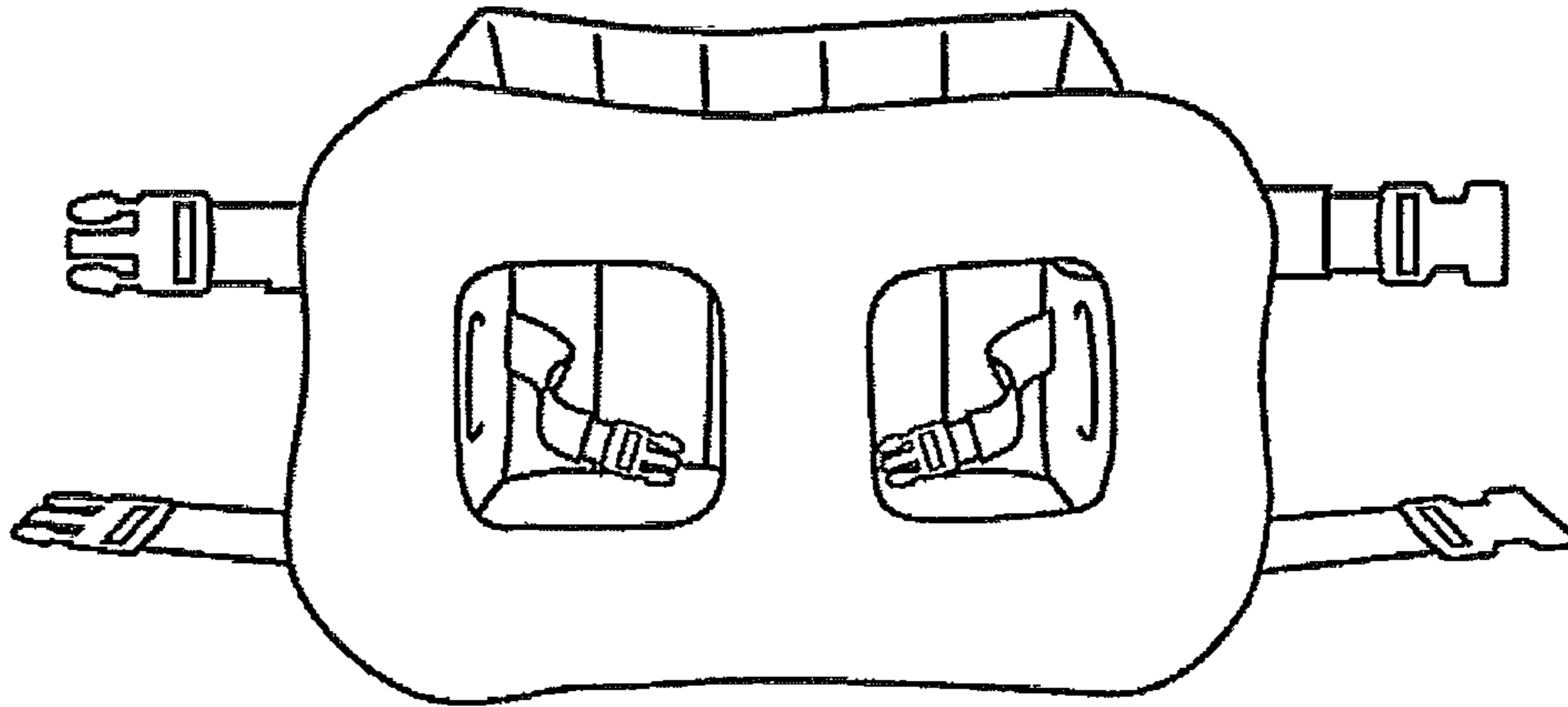


FIGURE 1

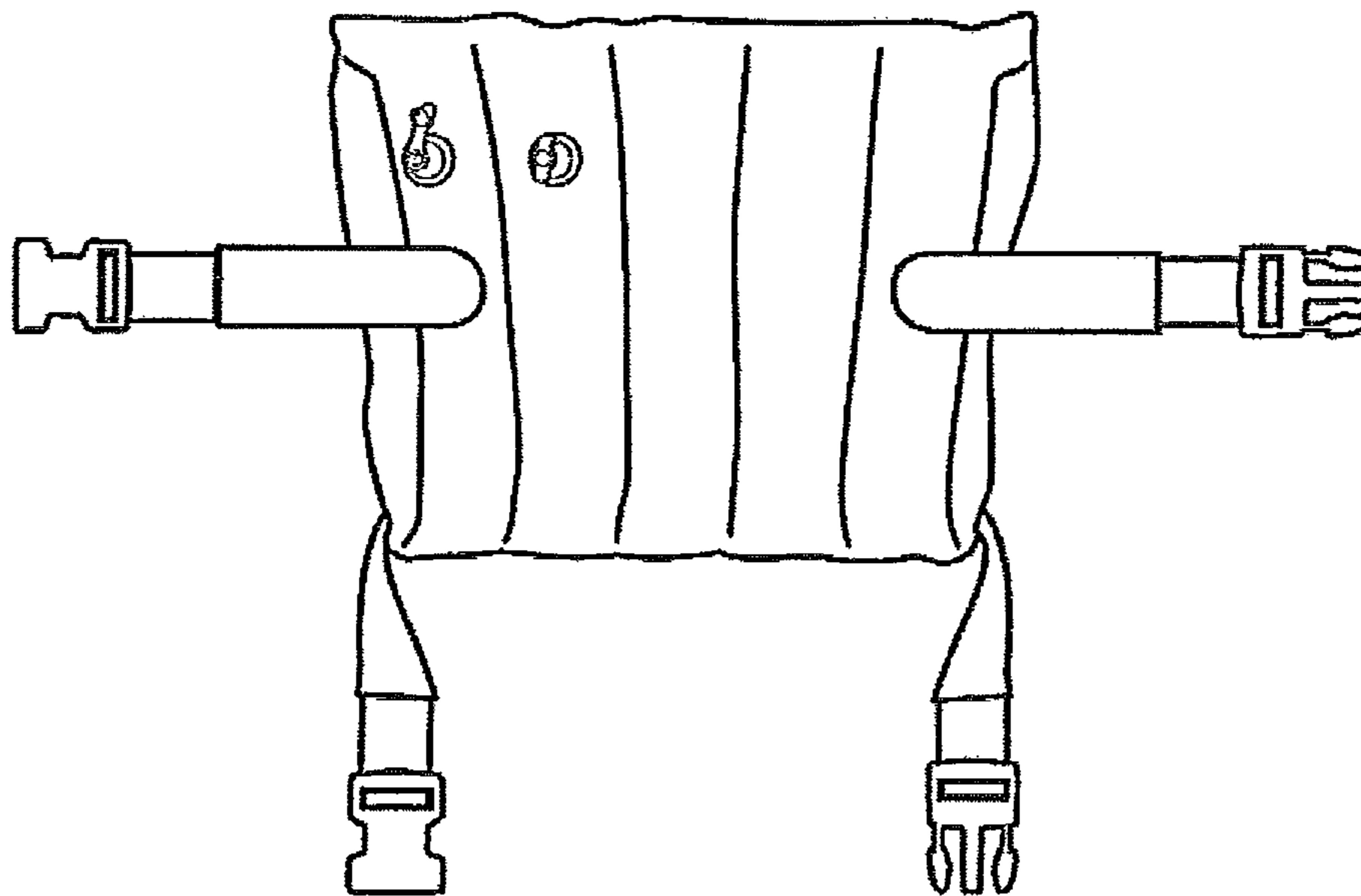


FIGURE 2

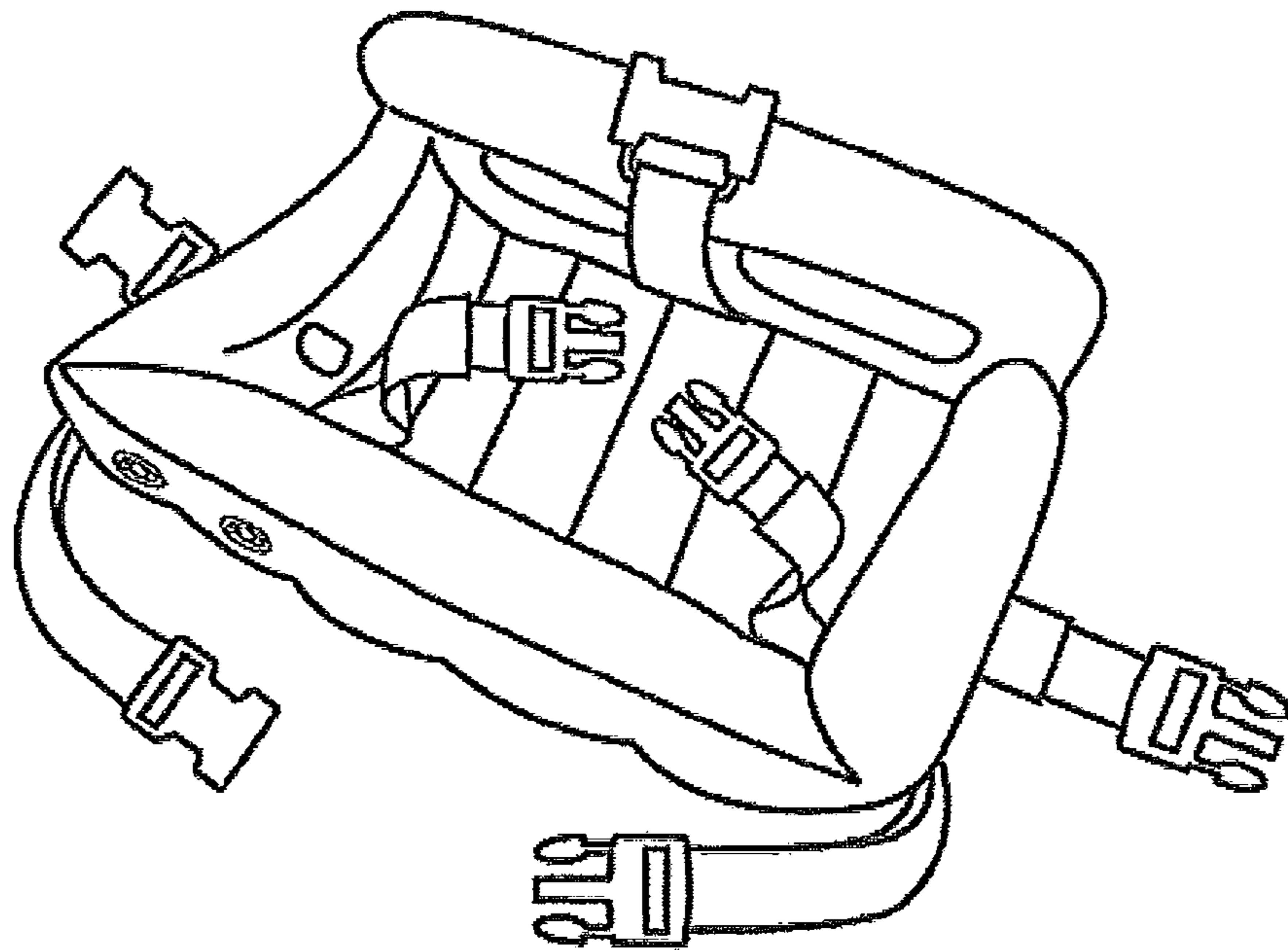


FIGURE 3

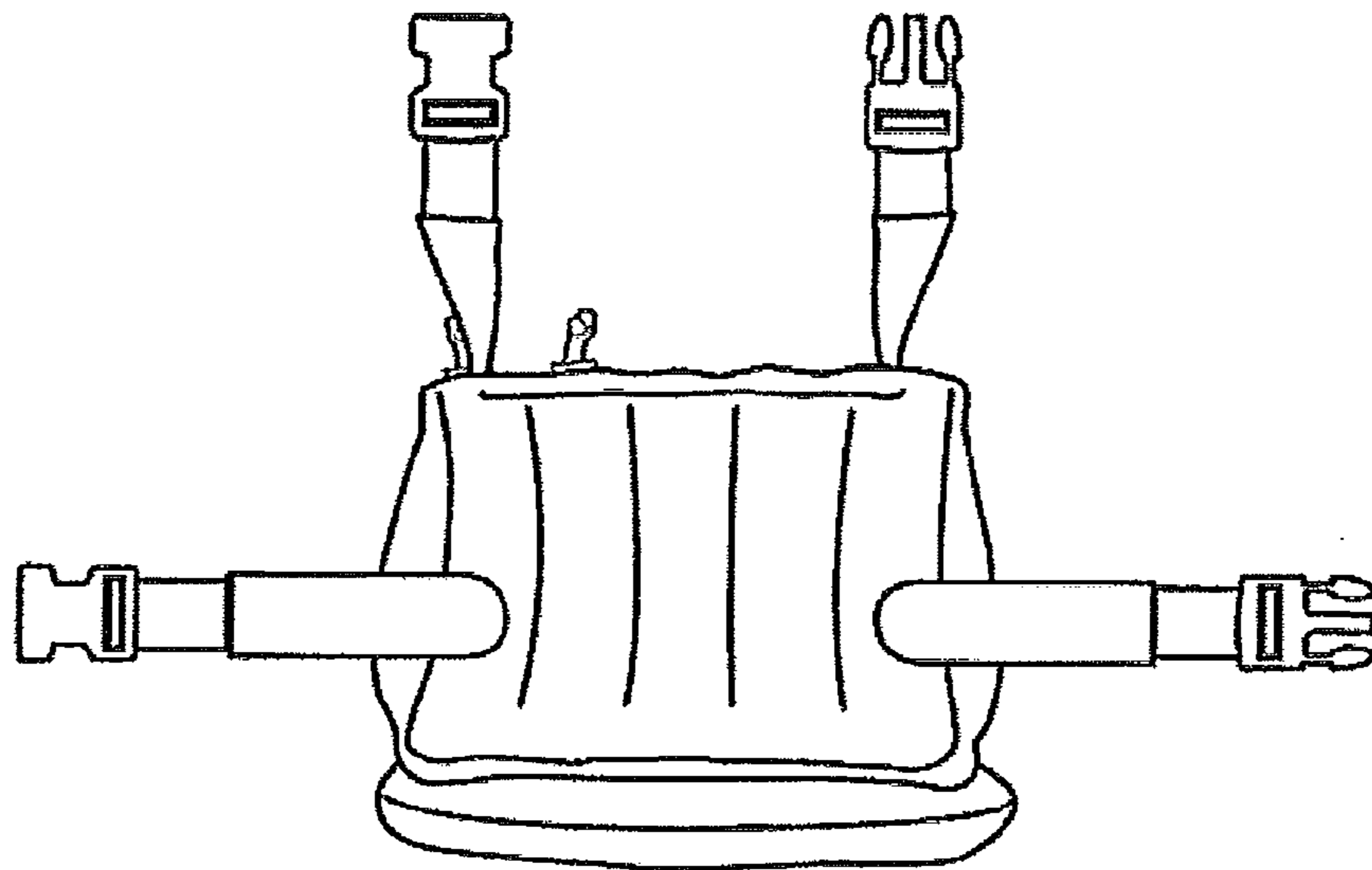


FIGURE 4

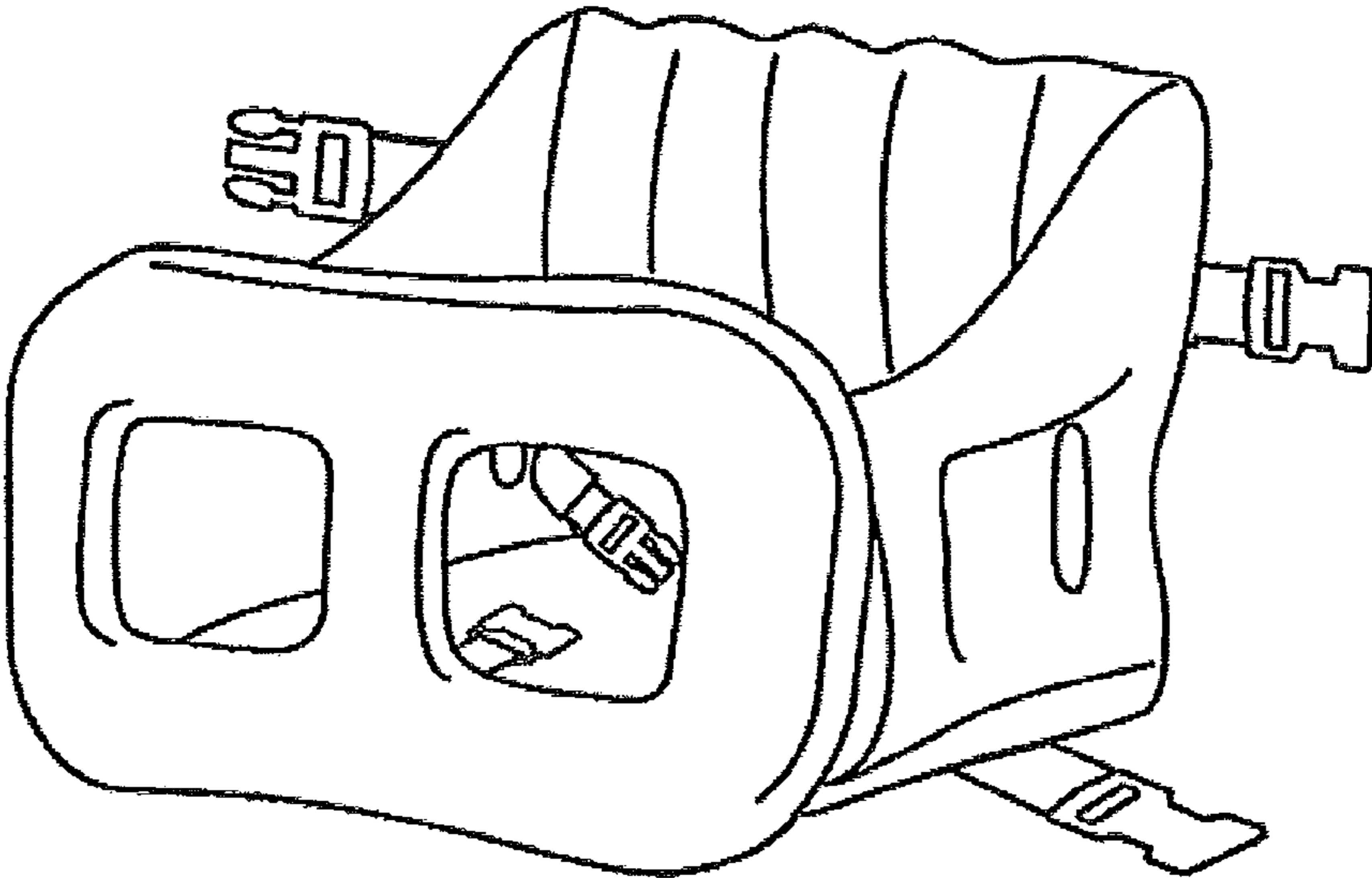


FIGURE 5

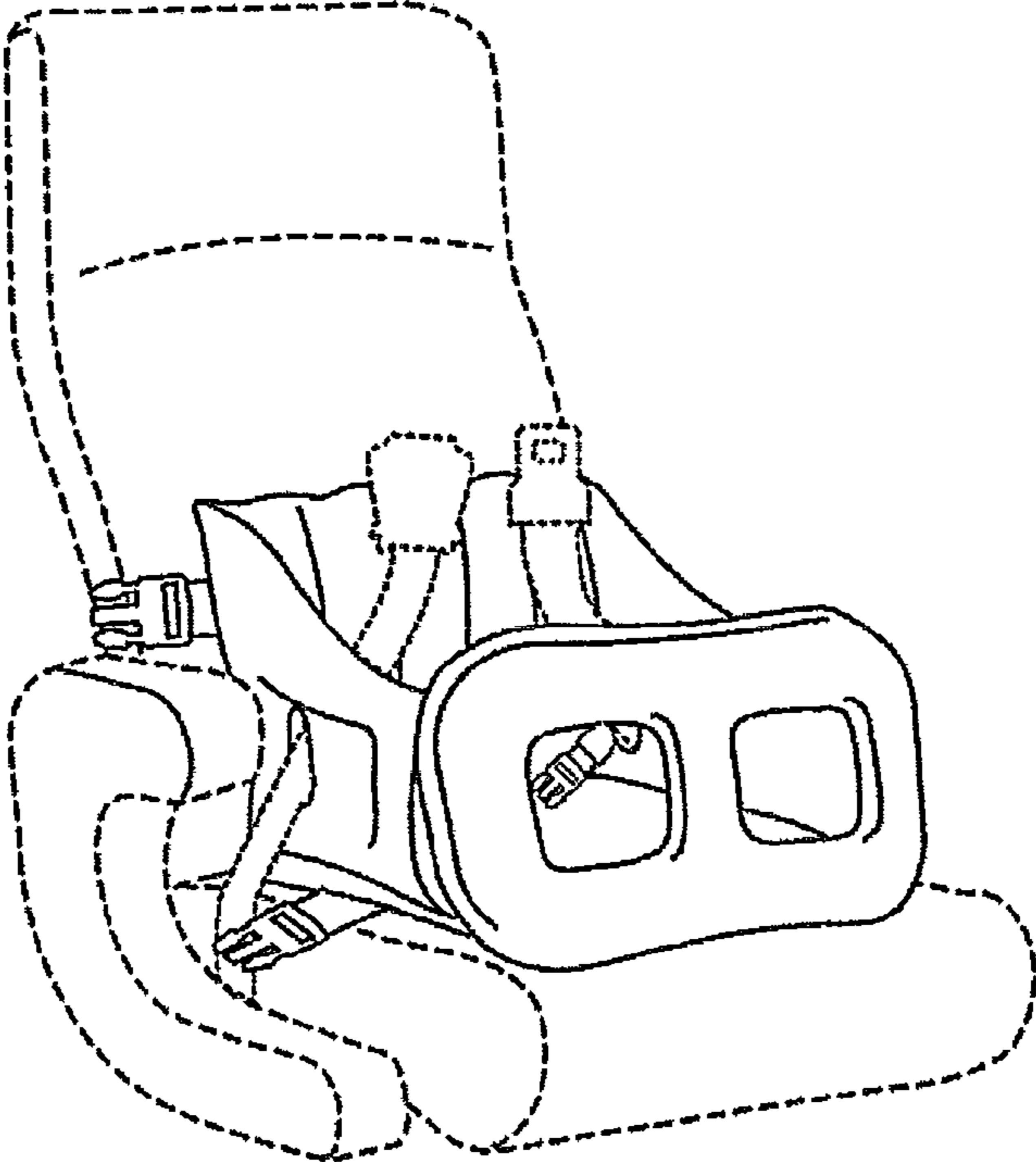


FIGURE 6

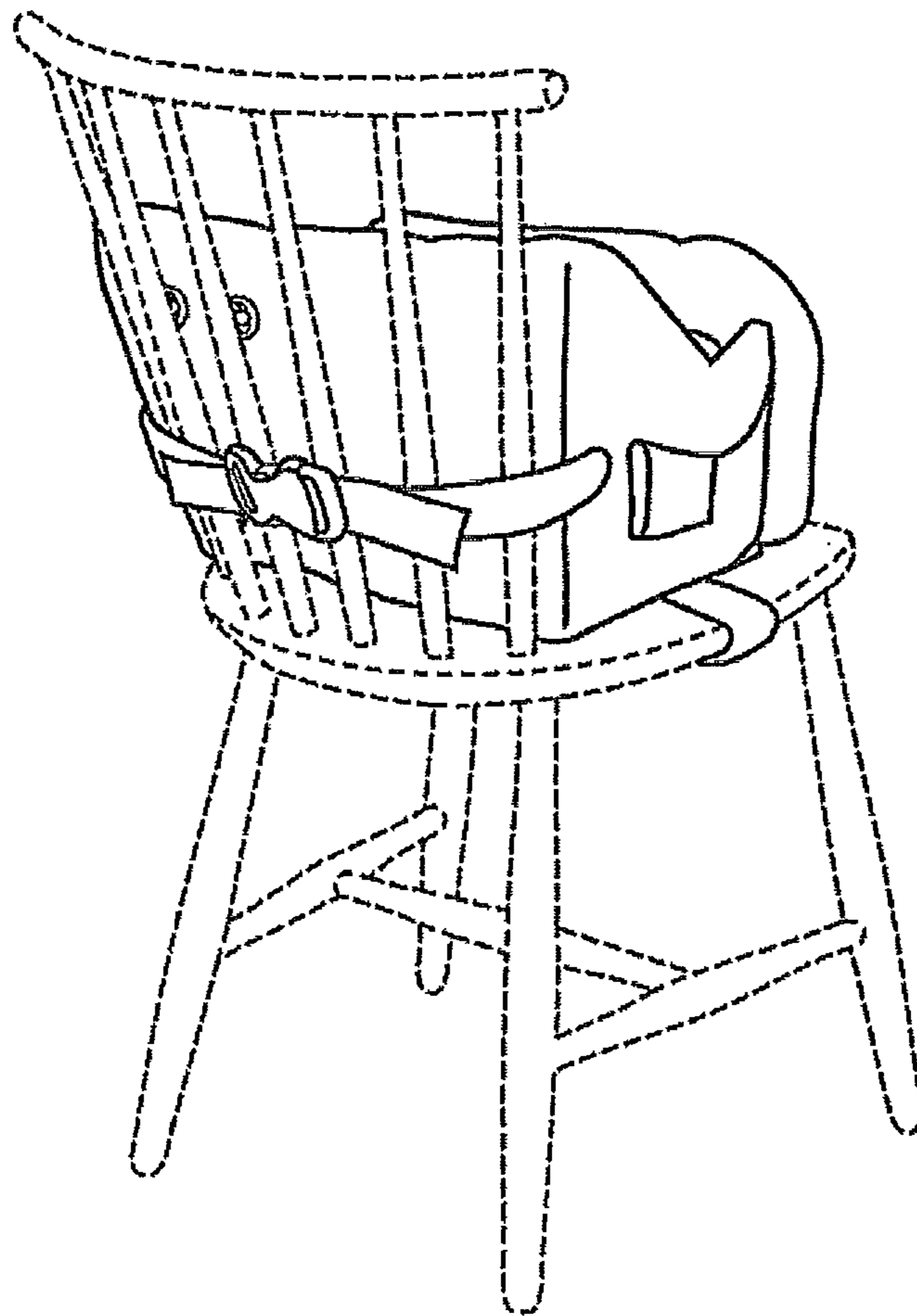


FIGURE 7