



US00D742651S

(12) **United States Design Patent**
Sands et al.

(10) **Patent No.:** **US D742,651 S**
(45) **Date of Patent:** **** Nov. 10, 2015**

(54) **DISPLAY FRAME HAVING MULTIPLE PHOTO STORAGE**

(71) Applicants: **Michael Sands**, Lorain, OH (US);
Sharon Sands, Lorain, OH (US)

(72) Inventors: **Michael Sands**, Lorain, OH (US);
Sharon Sands, Lorain, OH (US)

(**) Term: **14 Years**

(21) Appl. No.: **29/510,024**

(22) Filed: **Nov. 24, 2014**

(51) **LOC (10) Cl.** **06-07**

(52) **U.S. Cl.**
USPC **D6/301; D6/300**

(58) **Field of Classification Search**
USPC D6/300-314, 631; D19/26, 27, 35, 36,
D19/75, 76, 86, 90, 91, 99, 100;
D16/235-237, 250; D3/271.1, 271.5;
40/734, 721, 745, 765, 152, 152.1,
40/720, 774, 730, 732; 281/15.1, 19.1, 29,
281/45; D11/140, 132, 131, 157, 117;
428/13

CPC . A47G 2001/0688; A47G 1/06; A47G 1/065;
G09F 1/12; A63F 1/062; A63F 2250/305
See application file for complete search history.

(56) **References Cited**

U.S. PATENT DOCUMENTS

D57,187 S *	3/1921	Davis	D6/631
2,649,799 A	8/1953	Spertus		
2,839,857 A	6/1958	Teller		
3,314,180 A *	4/1967	Porter	40/743
D244,368 S *	5/1977	Dean	D11/140
4,184,278 A *	1/1980	Fournet	40/748
4,779,752 A *	10/1988	Vallee et al.	220/533
D332,349 S *	1/1993	Seifert et al.	D6/631
D332,461 S *	1/1993	Beaupeurt	D16/250
5,400,532 A	3/1995	Grove		
D366,765 S *	2/1996	Mann	D6/300
D375,916 S *	11/1996	Cotner	D11/131
D394,874 S *	6/1998	Aguilar	D19/26
D415,218 S *	10/1999	Corliss	D21/506

D448,807 S *	10/2001	Hensel	D19/90
6,553,704 B1	4/2003	Pigg		
D510,196 S	10/2005	Woodard et al.		
D543,364 S *	5/2007	Fleischer	D6/300
D590,890 S *	4/2009	King et al.	D20/39
D591,957 S *	5/2009	Lee	D6/300
D610,813 S *	3/2010	Bennett	D6/300
D613,953 S *	4/2010	Hammer	D6/310

(Continued)

OTHER PUBLICATIONS

Photo Frame & Photo Storage Box, available Aug. 5, 2015, [online], [site visited Aug. 5, 2015]. Available from internet, <URL: http://www.homesweethomeandgifts.co.uk/white-family-photo-frame-photo-storage-box-439-p.asp.*

Picture Frame Box (via ohgizmo!), available Mar. 5, 2008, [online], [site visited Aug. 5, 2015]. Available from internet, <URL: http://www.ohgizmo.com/2008/03/05/picture-frame-box-doesnt-hide-your-safe-it-is-your-safe/.*

Treasure Chest Picture Frame Box, available Oct. 29, 2010, [online], [site visited Aug. 5, 2015]. Available from internet, <URL: http://www.memorablegifts.com/gifts/pc/Treasure-Chest-Picture-Frame-Box-p1256.htm.*

(Continued)

Primary Examiner — Cathron Brooks
Assistant Examiner — Teddy Falloway

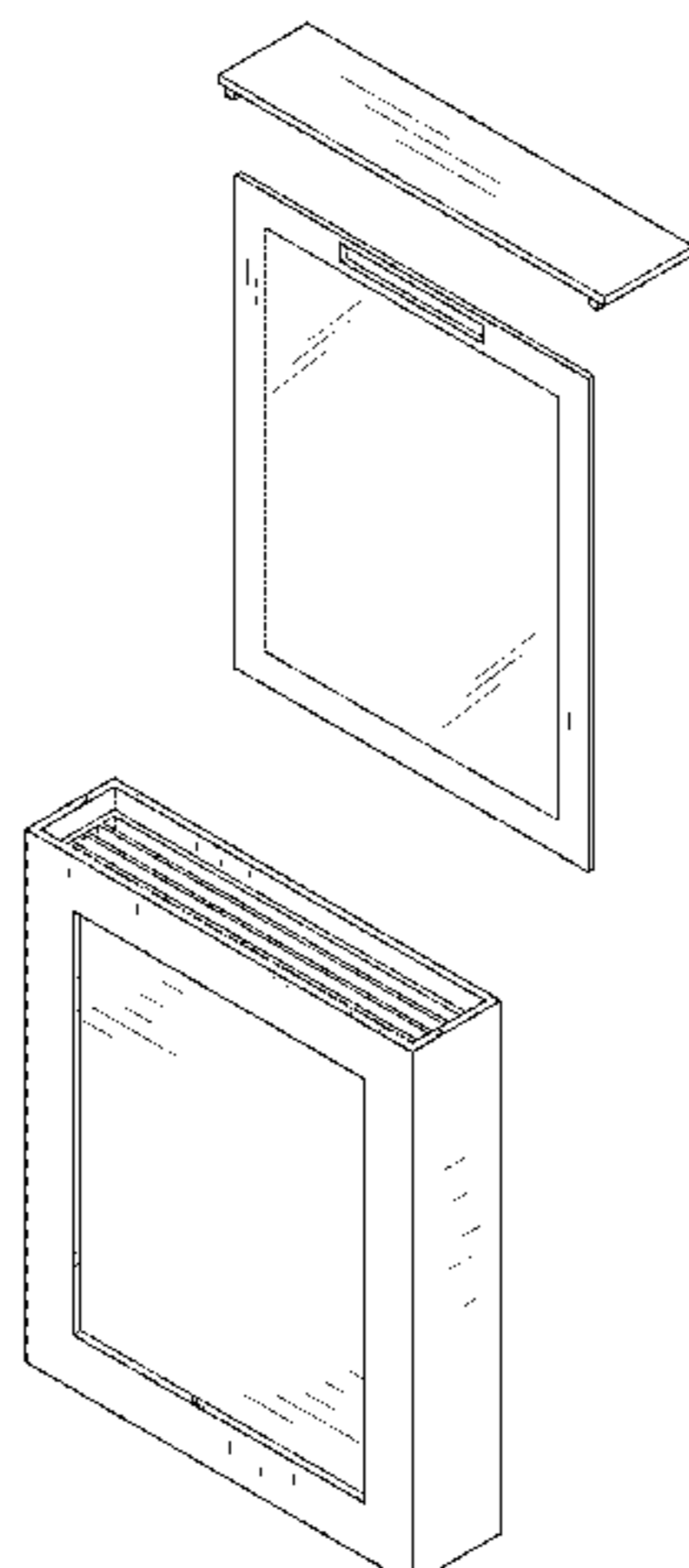
(57) **CLAIM**

The ornamental design for a display frame having multiple photo storage, as shown and described.

DESCRIPTION

FIG. 1 is an exploded front view of a display frame having multiple photo storage showing my new design;
FIG. 2 is an exploded rear view of the display frame having multiple photo storage;
FIG. 3 is an exploded left side view of the display frame having multiple photo storage, an exploded right side view being a mirror image thereof;
FIG. 4 is an exploded top view of the display frame having multiple photo storage;
FIG. 5 is an exploded bottom view of the display frame having multiple photo storage; and,
FIG. 6 is an exploded top front side perspective view of the display frame having multiple photo storage.

1 Claim, 5 Drawing Sheets



(56)

References Cited

U.S. PATENT DOCUMENTS

D652,294	S *	1/2012	Seneca et al.	D9/433
8,464,450	B1 *	6/2013	Kendall et al.	40/800
9,032,654	B2 *	5/2015	Wilcoxon et al.	40/766
2004/0134111	A1	7/2004	Berg	
2007/0120321	A1 *	5/2007	Fruchtman	273/148 A
2008/0000125	A1 *	1/2008	Chang	40/723
2008/0187688	A1 *	8/2008	Gunther	428/13
2009/0071052	A1 *	3/2009	Craig	40/791
2009/0307953	A1	12/2009	Ahlstrom	
2010/0229439	A1 *	9/2010	Elliot	40/711
2012/0079751	A1	4/2012	Singer	
2013/0152441	A1 *	6/2013	Carr	40/730

OTHER PUBLICATIONS

Picture Frame Box (via IaMW), available Nov. 25, 2014, [online], [site visited Aug. 5, 2015]. Available from internet, <URL: <https://blogformen.wordpress.com/2009/11/25/more-modern-design-with-storage-to-boot/#comments>.*

Photo Frame Wedding Card Box, available Oct. 13, 2014, [online], [site visited Aug. 5, 2015]. Available from internet, <URL: <http://www.favorsandflowers.com/photo-frame-wedding-card-box.htm>.*

* cited by examiner

FIG. 1

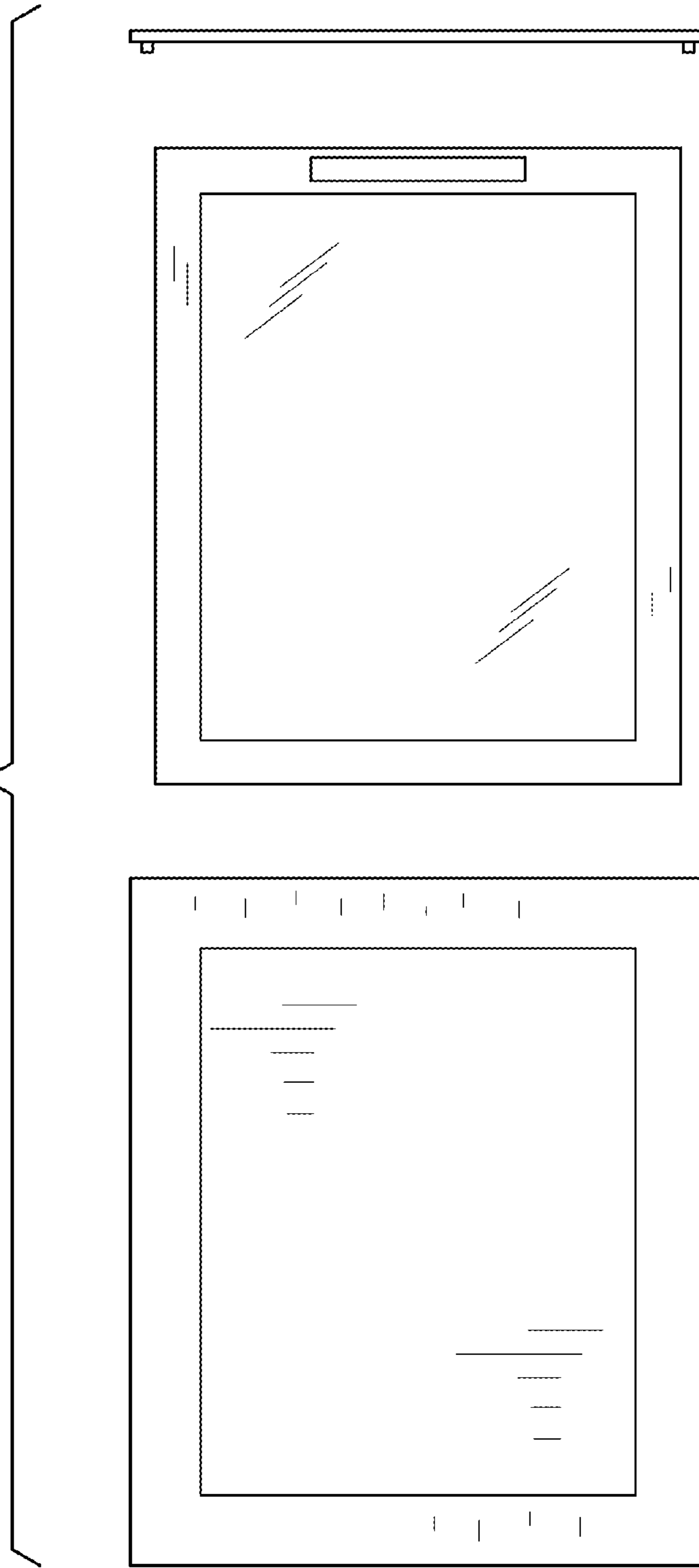


FIG. 2

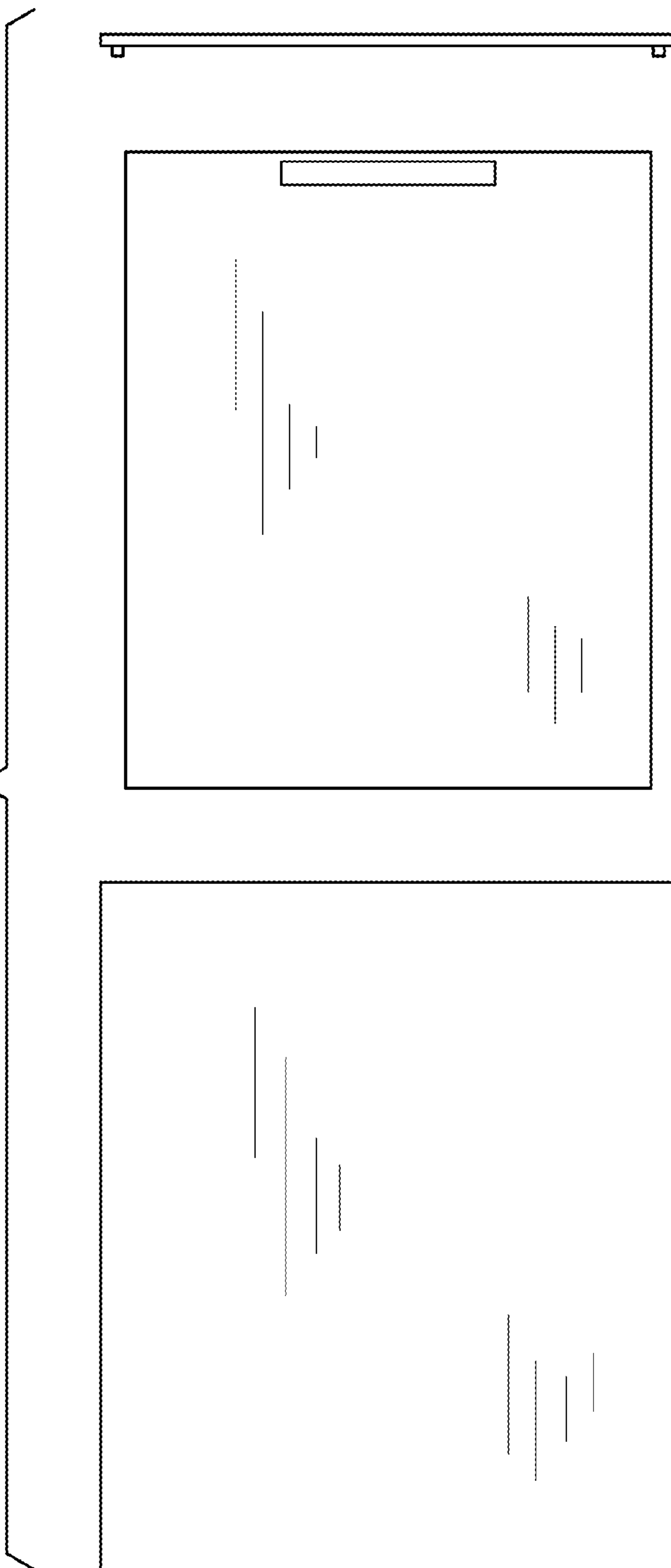


FIG. 3

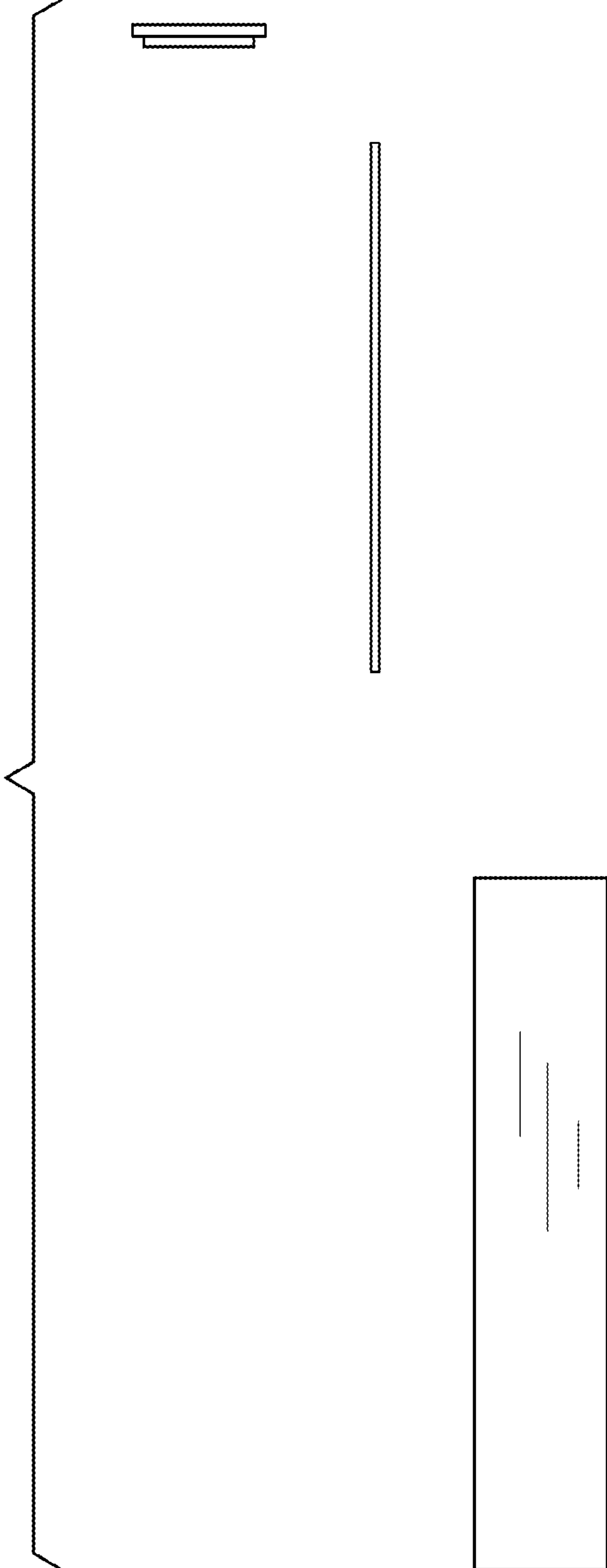


FIG. 4

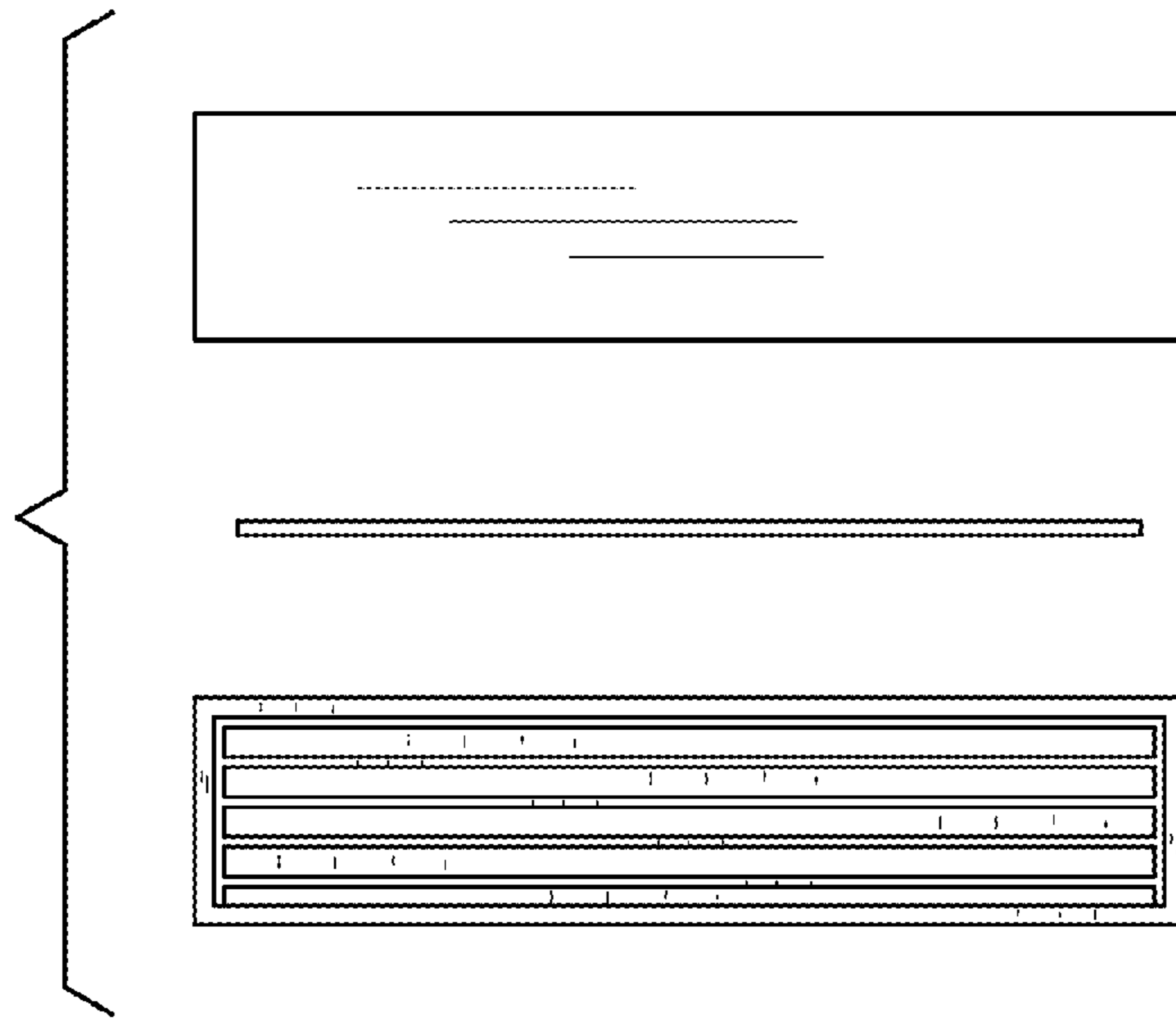


FIG. 5

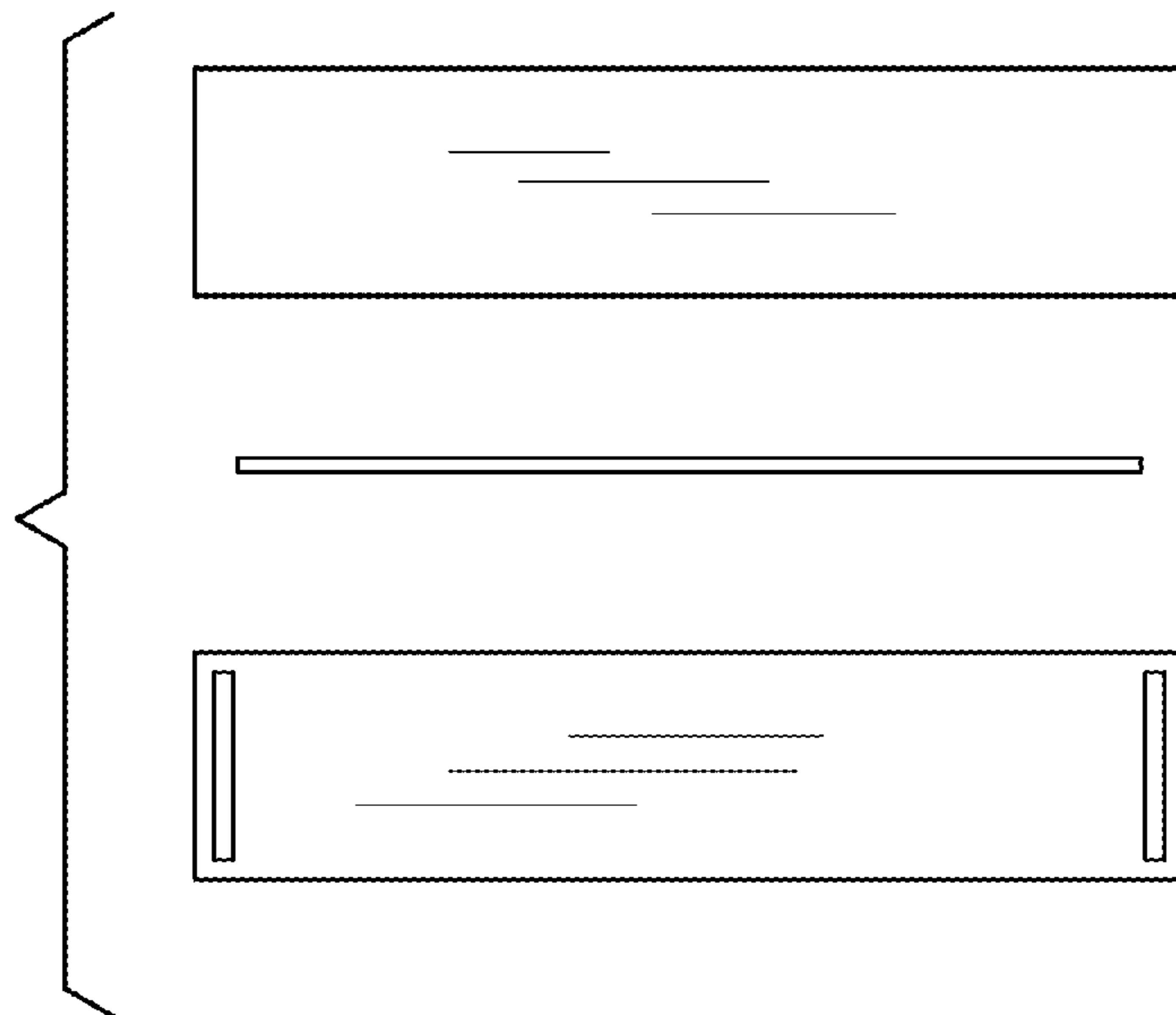


FIG. 6

