



US00D742647S

(12) **United States Design Patent**
Hosler et al.

(10) **Patent No.:** **US D742,647 S**

(45) **Date of Patent:** **** Nov. 10, 2015**

- (54) **POWERED BRUSH HANDLE**
- (71) Applicant: **L'Oreal USA Creative, Inc.**, New York, NY (US)
- (72) Inventors: **Travis J. Hosler**, Seattle, WA (US);
Kenneth A. Pilcher, Seattle, WA (US);
Richard A. Reishus, Renton, WA (US);
Suk P. Wong, Sammamish, WA (US)
- (73) Assignee: **L'Oreal USA Creative, Inc.**, New York, NY (US)

7,386,906	B2	6/2008	Roth et al.
D601,803	S	10/2009	Reishus et al.
7,786,626	B2	8/2010	Reishus et al.
7,789,092	B2	9/2010	Akridge et al.
D634,268	S	3/2011	Reishus et al.
D634,707	S	3/2011	Hosler et al.
D635,294	S	3/2011	Hosler et al.
D663,893	S	7/2012	Hosler et al.
8,272,862	B2	9/2012	Pilcher et al.
D679,502	S	4/2013	Itano et al.
D683,139	S *	5/2013	Chikos et al. D4/102

(Continued)

(**) Term: **14 Years**

(21) Appl. No.: **29/465,448**

(22) Filed: **Aug. 28, 2013**

(51) **LOC (10) Cl.** **04-02**

(52) **U.S. Cl.**
USPC **D4/102; D4/127**

(58) **Field of Classification Search**
USPC D4/100-102, 127; D24/146, 211, 214,
D24/215; D28/7, 57, 58, 63; 15/21.1, 22.1,
15/28, 29, 176.1, 176.4, 176.5, 180, 198;
601/114

CPC A46B 5/0095; A46B 7/00; A46B 7/04;
A46B 7/042; A46B 7/06; A46B 7/08; A46B
13/00; A46B 13/008; A46B 13/02; A46B
13/023; A46B 13/026; A46B 13/04; A46B
13/08; A47K 7/04; A47L 23/06; A61H 7/003;
A61H 7/004; A61H 7/005

See application file for complete search history.

(56) **References Cited**

U.S. PATENT DOCUMENTS

D335,934	S	5/1993	Howard
D403,055	S	12/1998	Nguyen
D523,809	S	6/2006	Roth et al.
7,157,816	B2	1/2007	Pilcher et al.
D549,964	S	9/2007	Roth et al.

FOREIGN PATENT DOCUMENTS

CN	301949904	S *	6/2012
JP	1219513	S *	10/2004
KR	30-0336751	S *	11/2003

(Continued)

Primary Examiner — Melanie H Tung

Assistant Examiner — Lavone D Tabor

(74) *Attorney, Agent, or Firm* — Christensen O'Connor Johnson Kindness PLLC

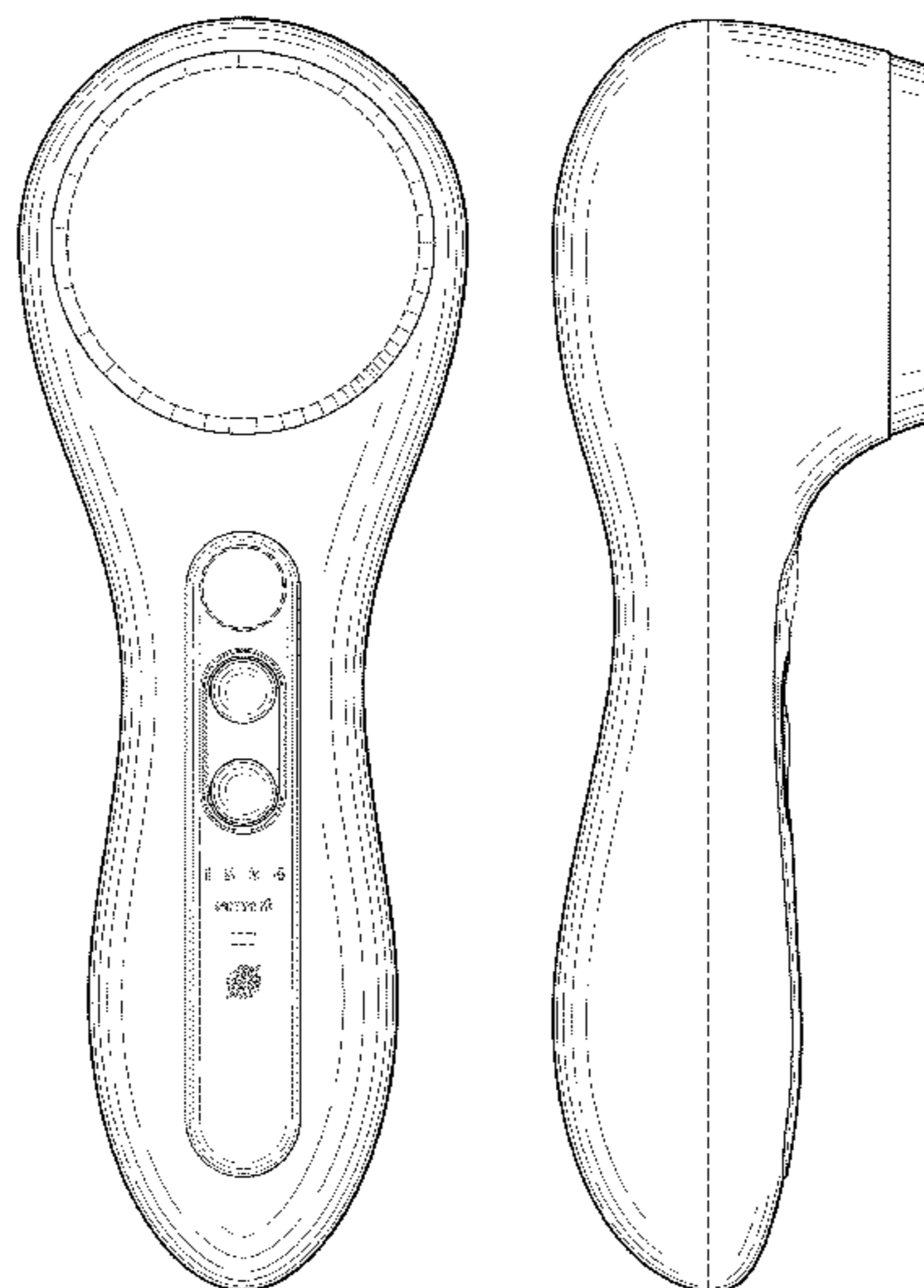
(57) **CLAIM**

The ornamental design for a powered brush handle, as shown and described.

DESCRIPTION

FIG. 1 is a top front right perspective view of a powered brush handle in accordance with our new design; FIG. 2 is a front elevation view thereof; FIG. 3 is a rear elevation view thereof; FIG. 4 is a top plan view thereof; FIG. 5 is a bottom plan view thereof; FIG. 6 is a left side elevation view thereof; and, FIG. 7 is a right side elevation view thereof. The broken lines and any areas that are bound by broken lines illustrate portions of the powered brush handle that form no part of the claimed design.

1 Claim, 6 Drawing Sheets



(56)

References Cited

FOREIGN PATENT DOCUMENTS

U.S. PATENT DOCUMENTS

8,469,909 B2 6/2013 Pilcher et al.
8,484,788 B2 7/2013 Brewer et al.

KR 30-0382555 S * 5/2005
KR 30-0433807 S * 12/2006

* cited by examiner

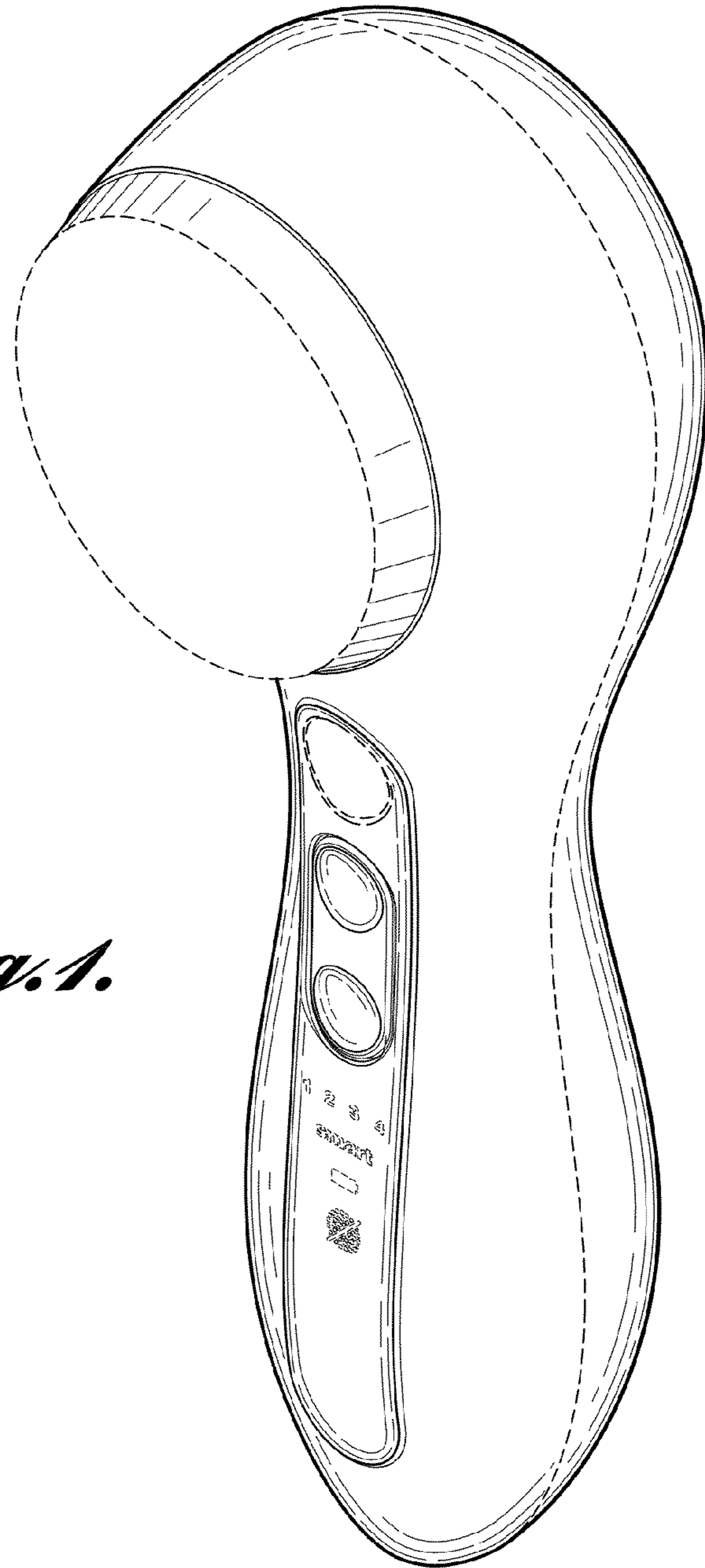
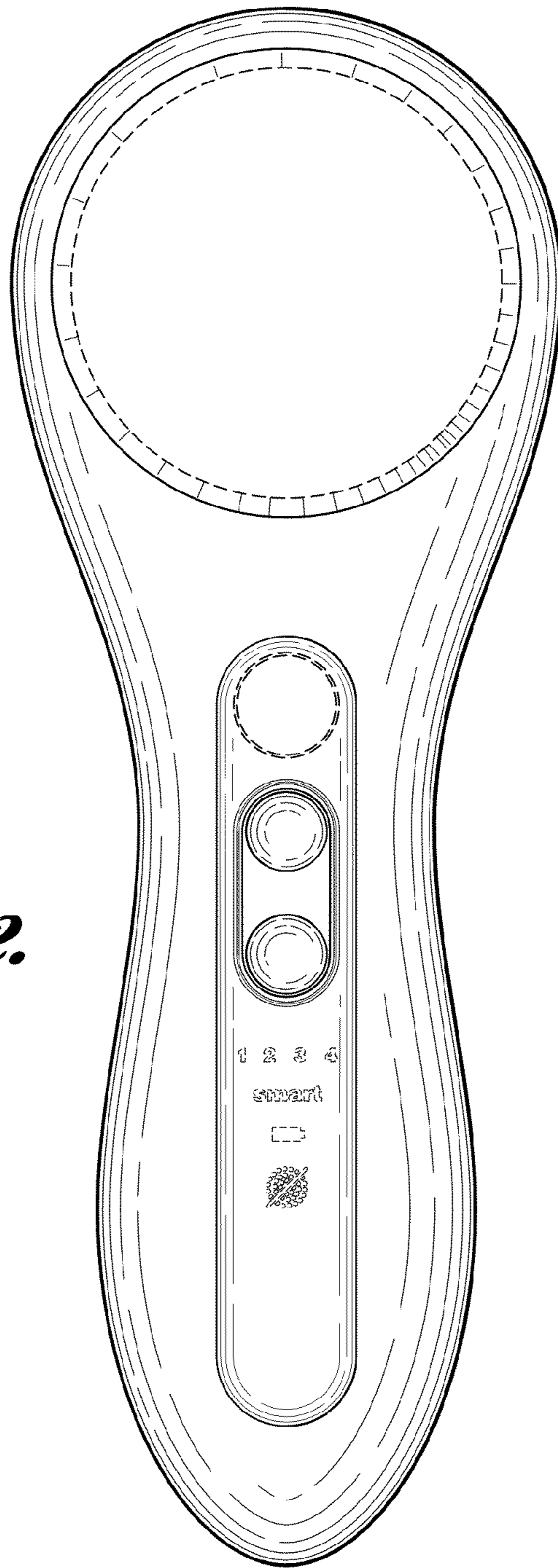


Fig. 1.

Fig. 2.



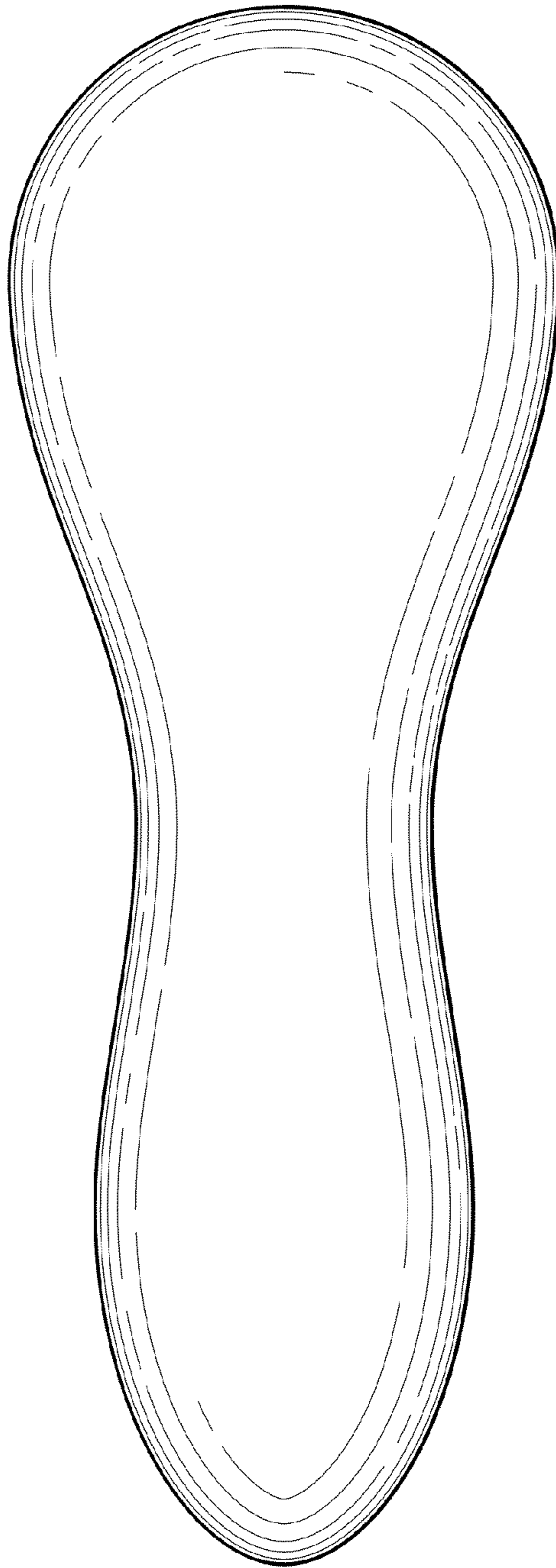


Fig. 3.

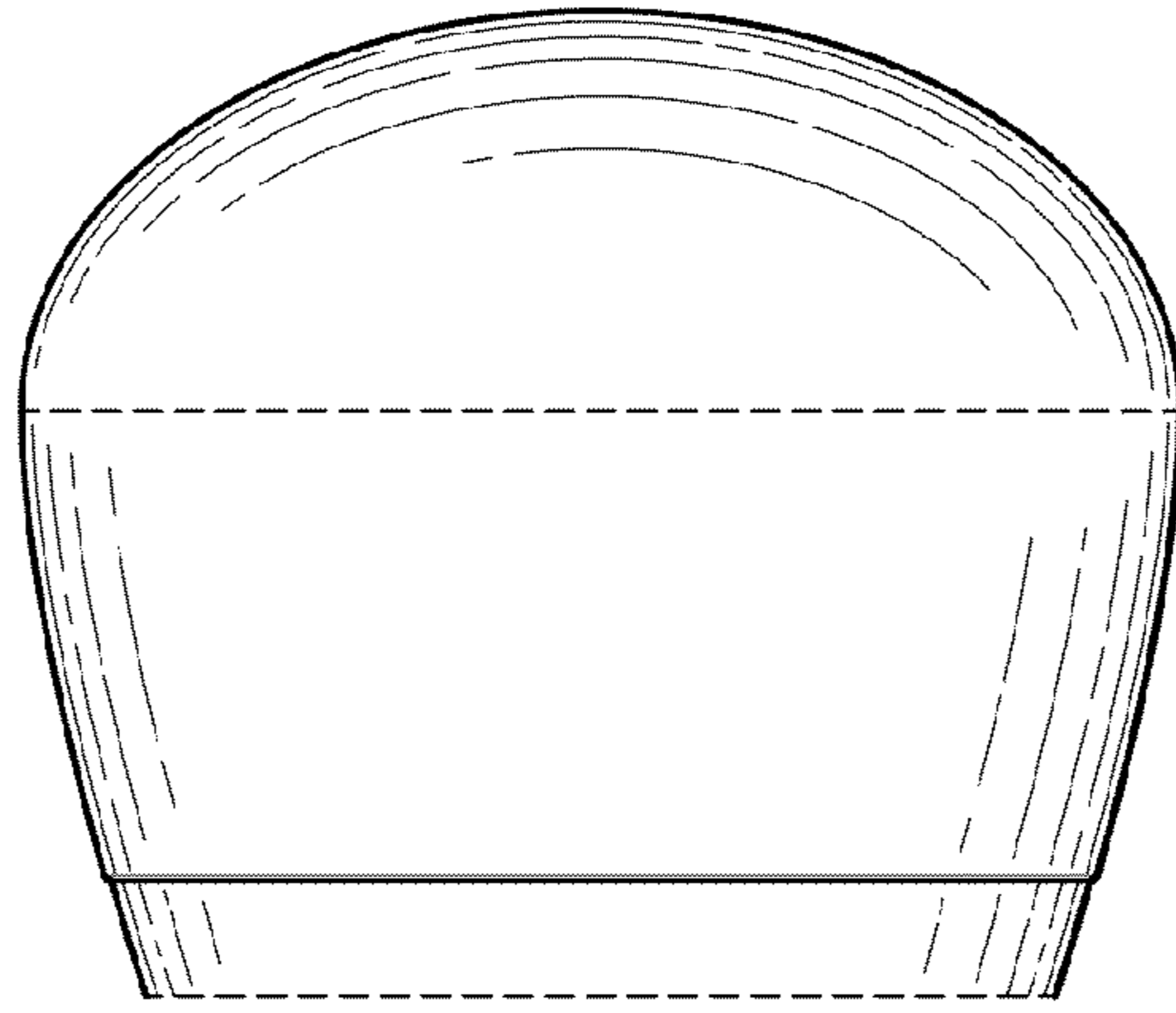


Fig. 4.

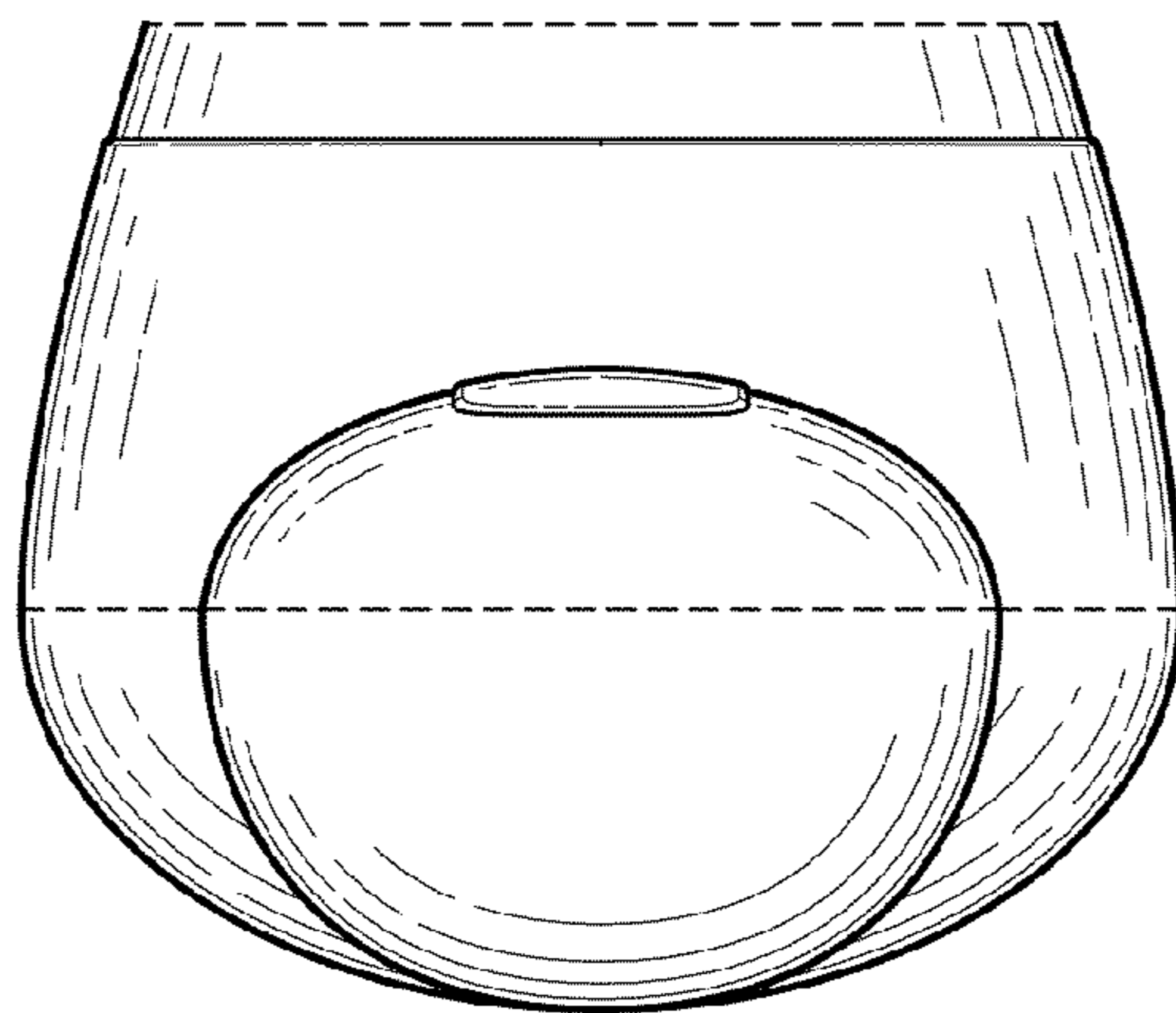


Fig. 5.

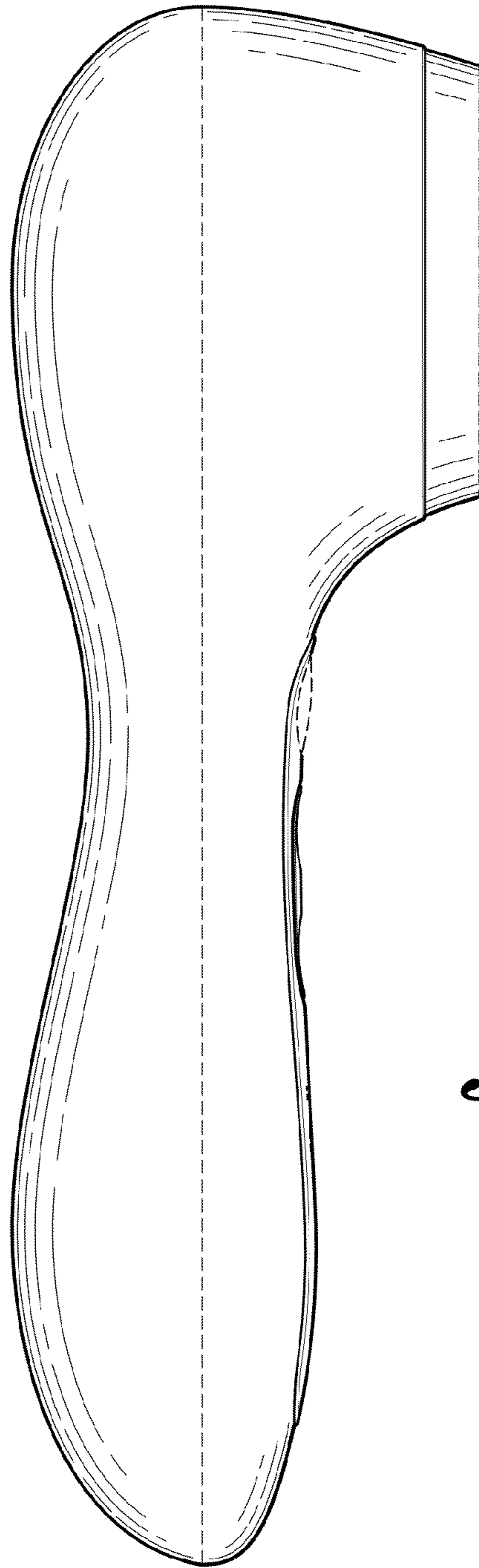


Fig. 6.

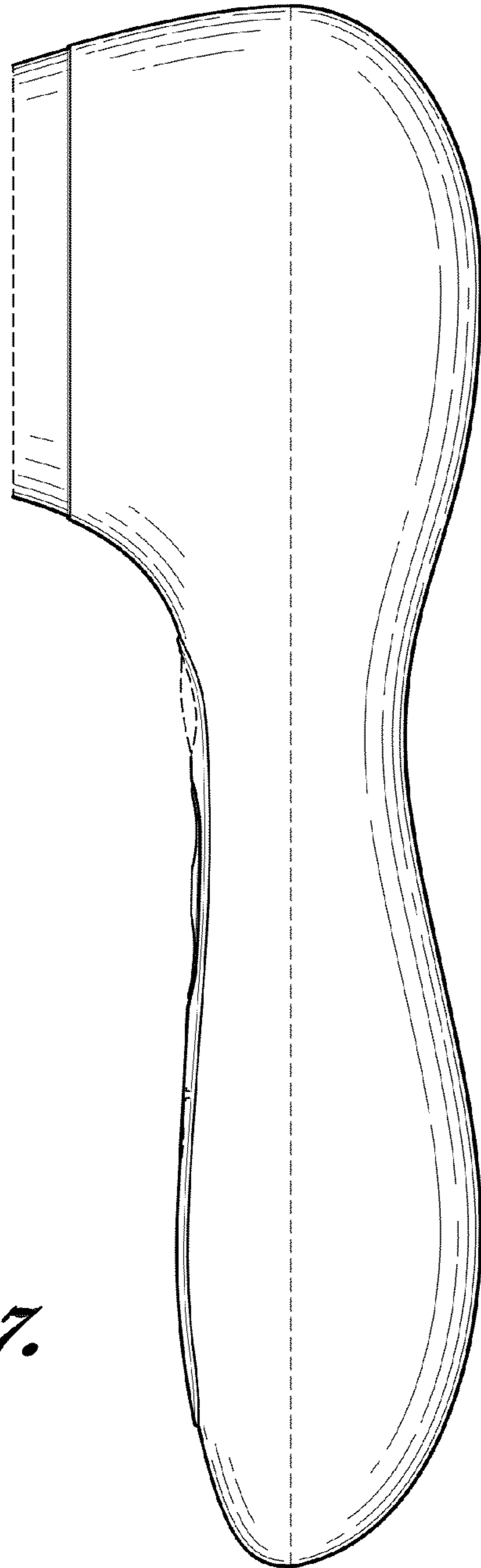


Fig. 7.