



US00D742645S

(12) **United States Design Patent**
Aronoff et al.

(10) **Patent No.:** **US D742,645 S**

(45) **Date of Patent:** **** Nov. 10, 2015**

(54) **PORTABLE STORAGE CONTAINER BASE**

(56) **References Cited**

(71) Applicant: **8146986 CANADA INC.**, Saint-Leonard (CA)

U.S. PATENT DOCUMENTS

(72) Inventors: **Eric Aronoff**, Saint-Leonard (CA);
Pierre Desjarlais, Boisbriand (CA)

D294,775 S *	3/1988	Rechberg	D3/279
D474,024 S *	5/2003	Santy	D3/318
D587,904 S *	3/2009	Sherrell	D3/318
2002/0024189 A1 *	2/2002	Chen	A45C 5/14 280/79.2

(73) Assignee: **8146896 Canada, Inc.**, Saint-Leonard, Quebec (CA)

* cited by examiner

(**) Term: **14 Years**

Primary Examiner — Holly Baynham

(21) Appl. No.: **29/509,482**

(74) *Attorney, Agent, or Firm* — Rosenberg, Klein & Lee

(22) Filed: **Nov. 18, 2014**

(57) **CLAIM**

The ornamental design for a portable storage container base, as shown and described.

DESCRIPTION

Related U.S. Application Data

(62) Division of application No. 29/450,421, filed on Mar. 18, 2013, now Pat. No. Des. 728,237.

(51) **LOC (10) Cl.** **03-01**

(52) **U.S. Cl.**

USPC **D3/318**

(58) **Field of Classification Search**

USPC D3/318, 302, 285, 289, 294

CPC B62B 1/10; B62B 1/14; A45C 13/385;

A45C 5/14

See application file for complete search history.

FIG. 1 is a top perspective view of a portable storage container base showing our new design;

FIG. 2 is a bottom perspective view thereof;

FIG. 3 is a top plan view thereof;

FIG. 4 is a bottom plan view thereof;

FIG. 5 is a front elevational view thereof;

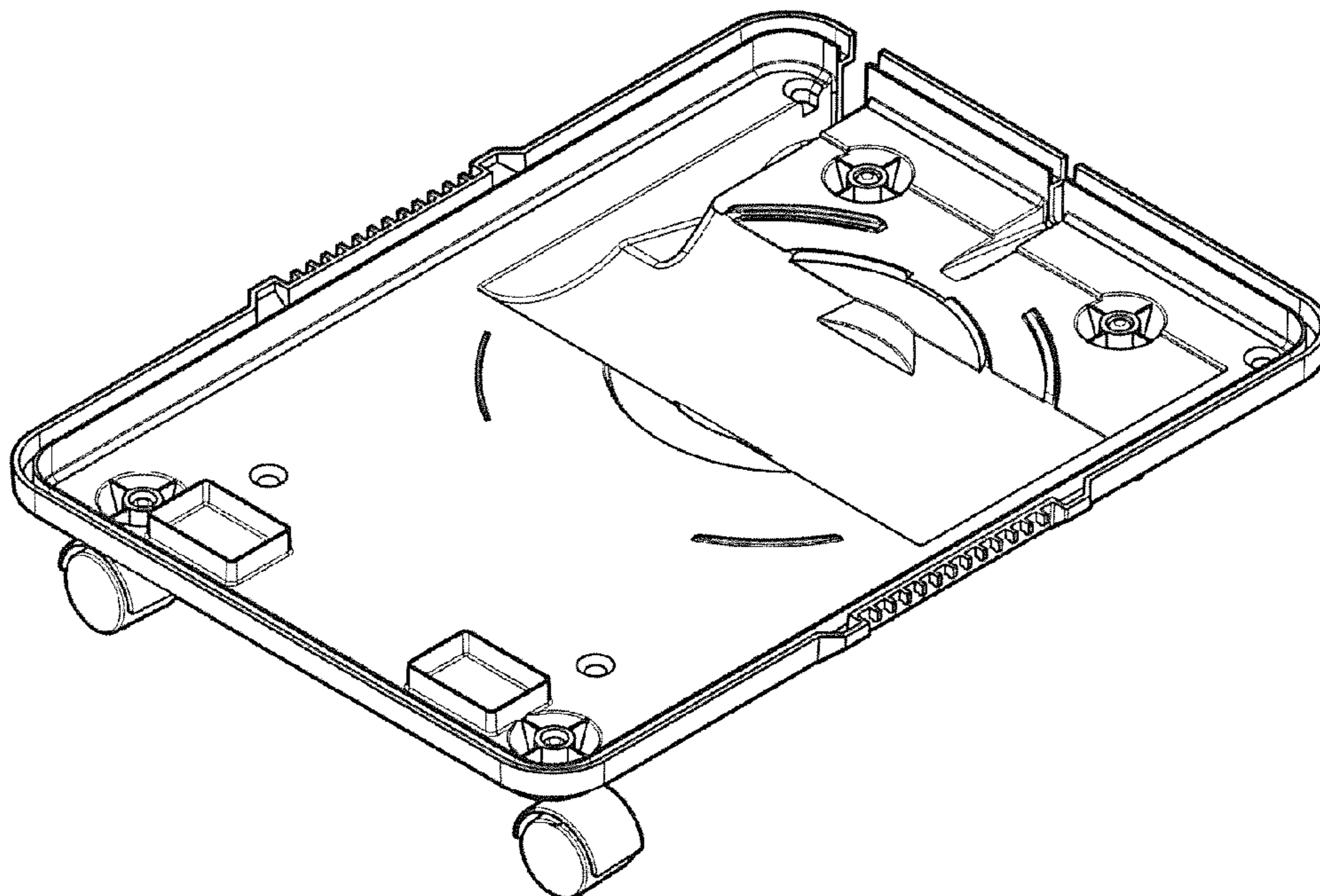
FIG. 6 is a rear elevational view thereof;

FIG. 7 is a left side elevational view thereof; and,

FIG. 8 is a right side elevational view thereof.

The broken lines showing structure in the middle portion of the cover are for the purposes of illustrating environment and form no part of the claimed design.

1 Claim, 6 Drawing Sheets



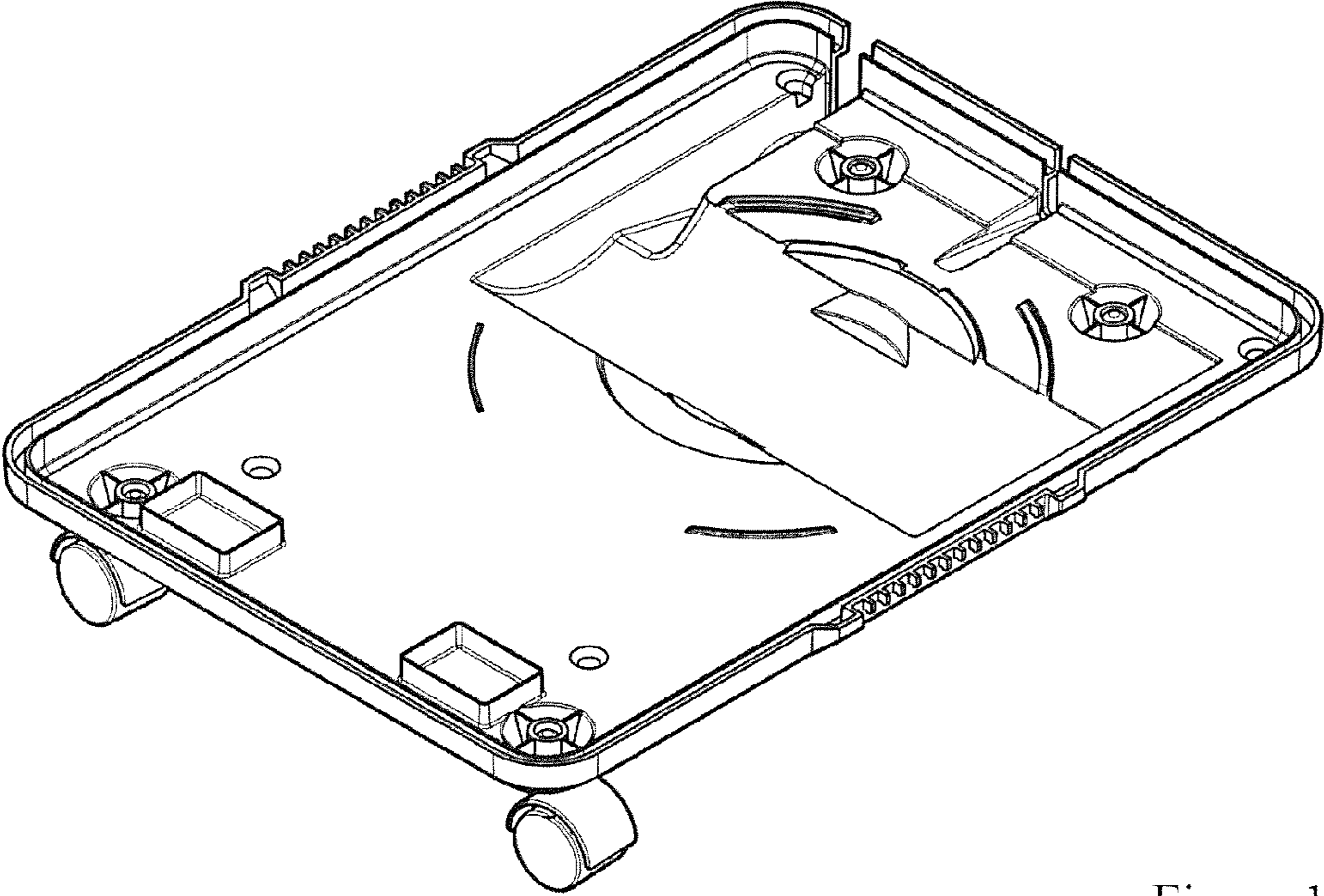


Figure 1

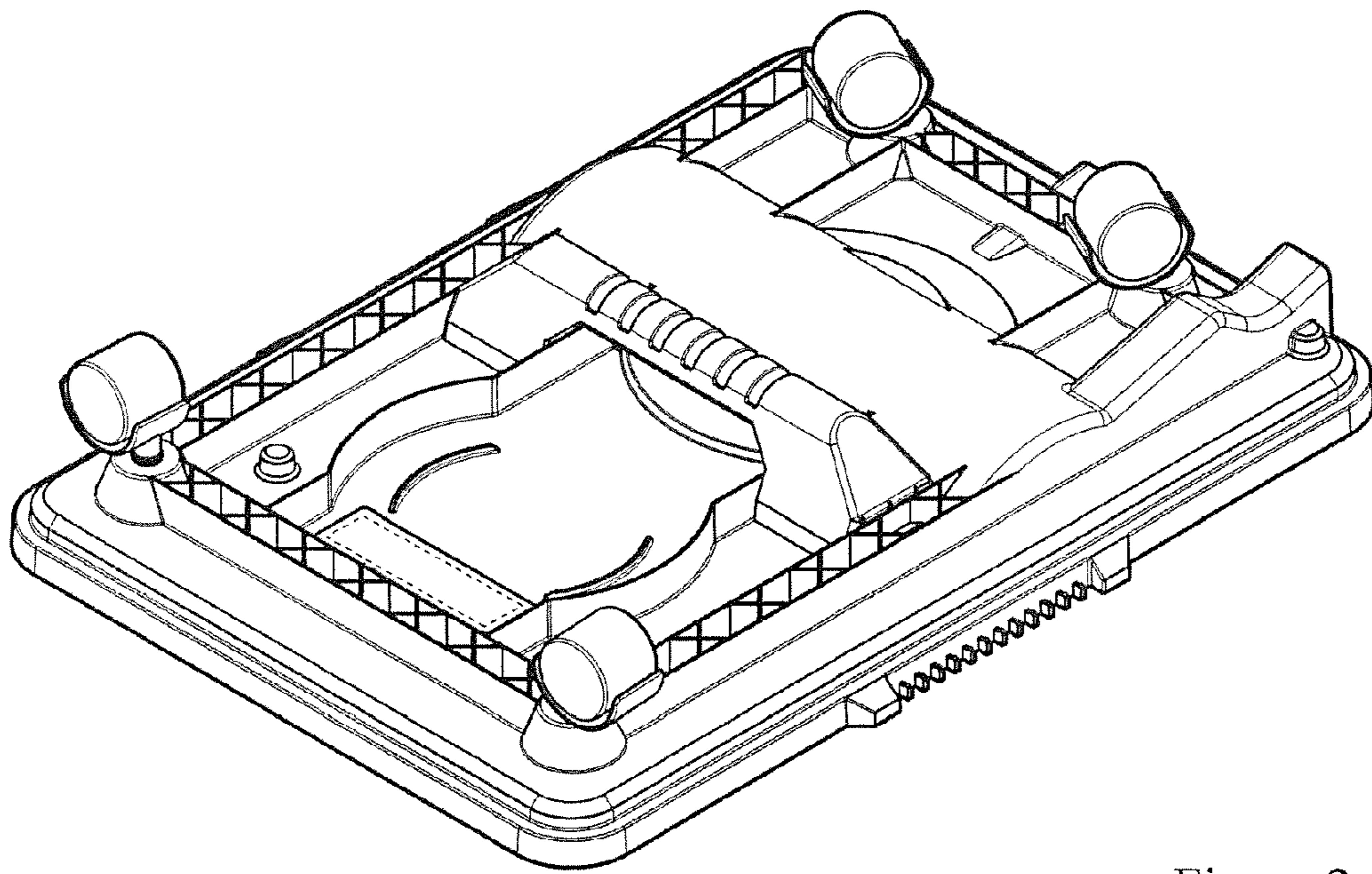


Figure 2

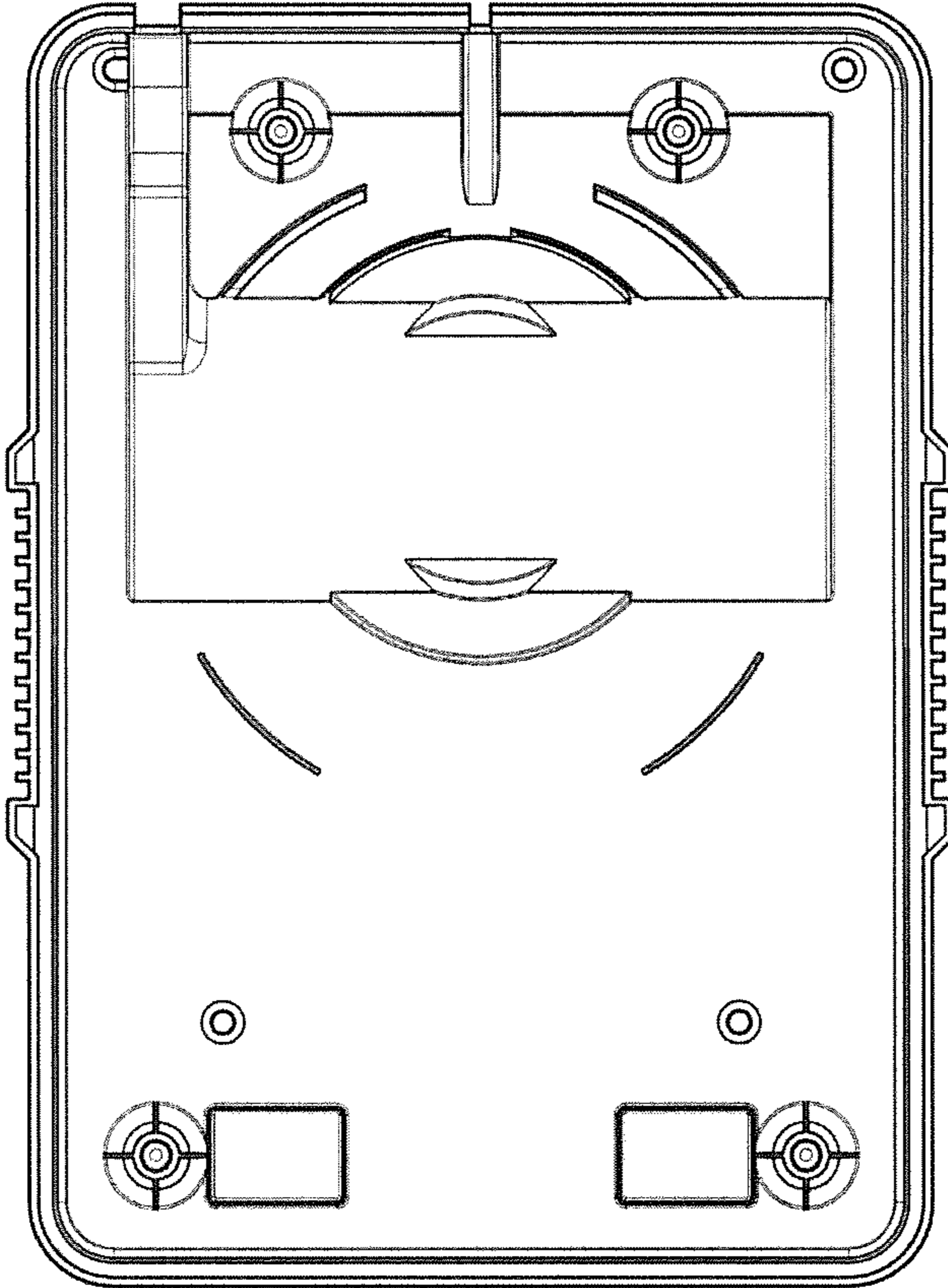


Figure 3

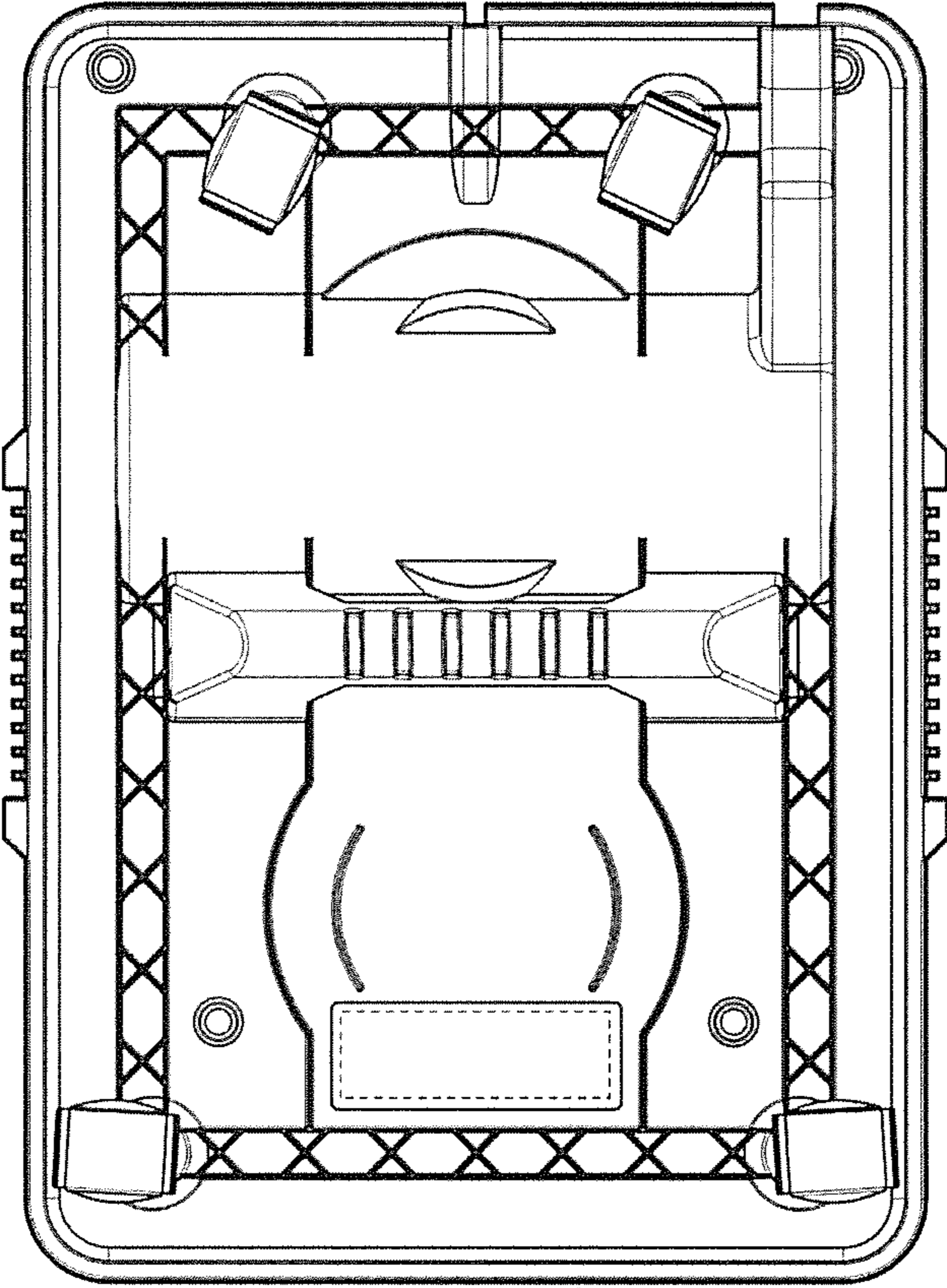


Figure 4

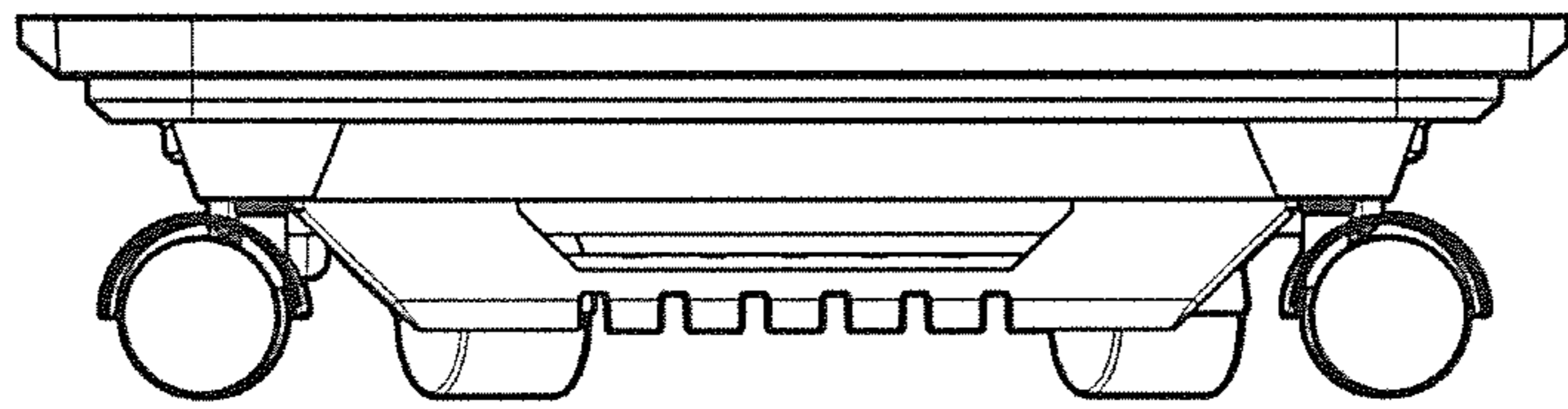


Figure 5

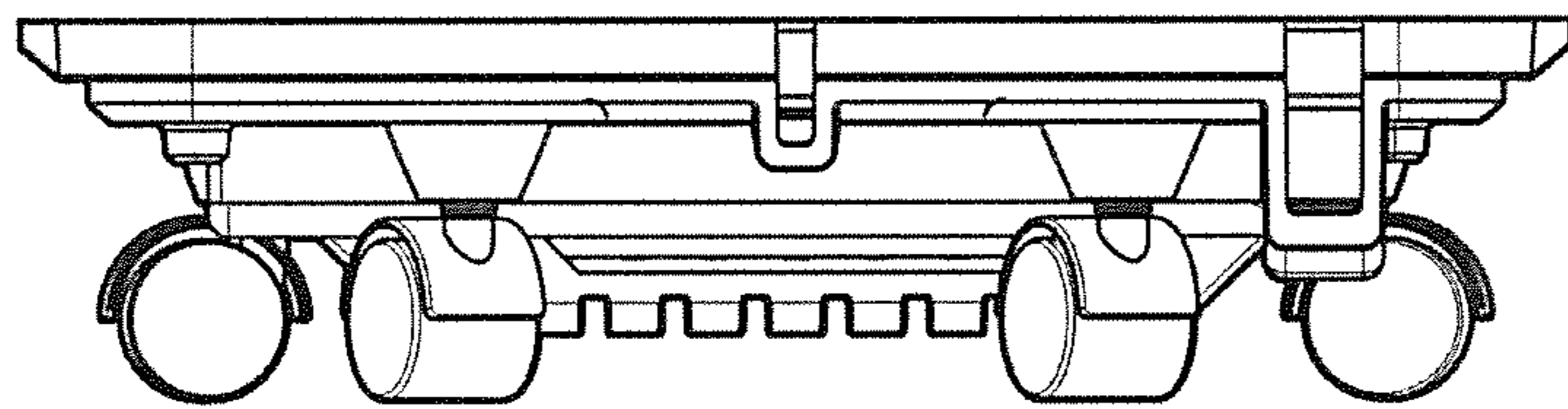


Figure 6

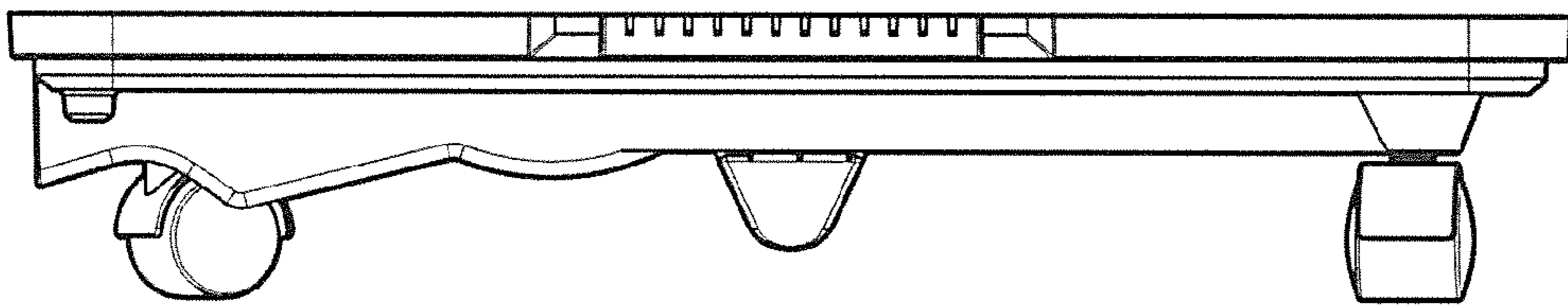


Figure 7

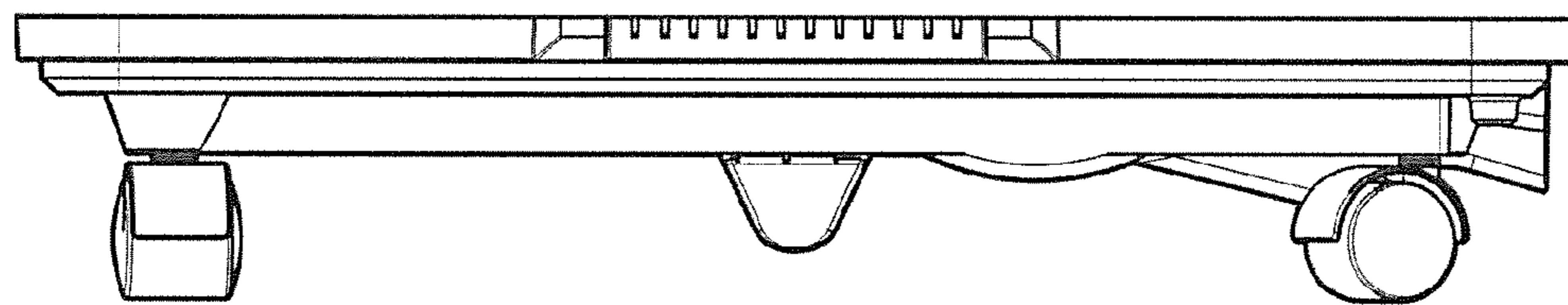


Figure 8