



US00D742642S

(12) **United States Design Patent**
Aronoff et al.

(10) **Patent No.:** **US D742,642 S**

(45) **Date of Patent:** **** Nov. 10, 2015**

(54) **PORTABLE STORAGE CONTAINER COVER**

(71) Applicant: **8146986 CANADA INC.**, Saint-Leonard (CA)

(72) Inventors: **Eric Aronoff**, Saint-Leonard (CA);
Pierre Desjarlais, Boisbriand (CA)

(73) Assignee: **8146896 Canada, Inc.**, Saint-Leonard, Quebec (CA)

(**) Term: **14 Years**

(21) Appl. No.: **29/509,485**

(22) Filed: **Nov. 18, 2014**

Related U.S. Application Data

(62) Division of application No. 29/450,421, filed on Mar. 18, 2013, now Pat. No. Des. 728,237.

(51) **LOC (10) Cl.** **03-01**

(52) **U.S. Cl.**
USPC **D3/302**

(58) **Field of Classification Search**
USPC D3/272, 273, 289, 294
CPC A45C 13/385; A45C 5/14
See application file for complete search history.

(56) **References Cited**

U.S. PATENT DOCUMENTS

D283,138 S * 3/1986 Hamar D18/11
D401,763 S * 12/1998 Wolff D3/273

D412,786 S * 8/1999 Killinger D3/273
D421,678 S * 3/2000 Levy D3/279
D513,871 S * 1/2006 Rosine D3/273
D524,541 S * 7/2006 Cauley D3/294
D566,395 S * 4/2008 Langer D3/294
D629,201 S * 12/2010 Demarco D28/83
8,215,348 B1 * 7/2012 Schreiber A45C 1/02
150/112

* cited by examiner

Primary Examiner — Holly Baynham

(74) *Attorney, Agent, or Firm* — Rosenberg, Klein & Lee

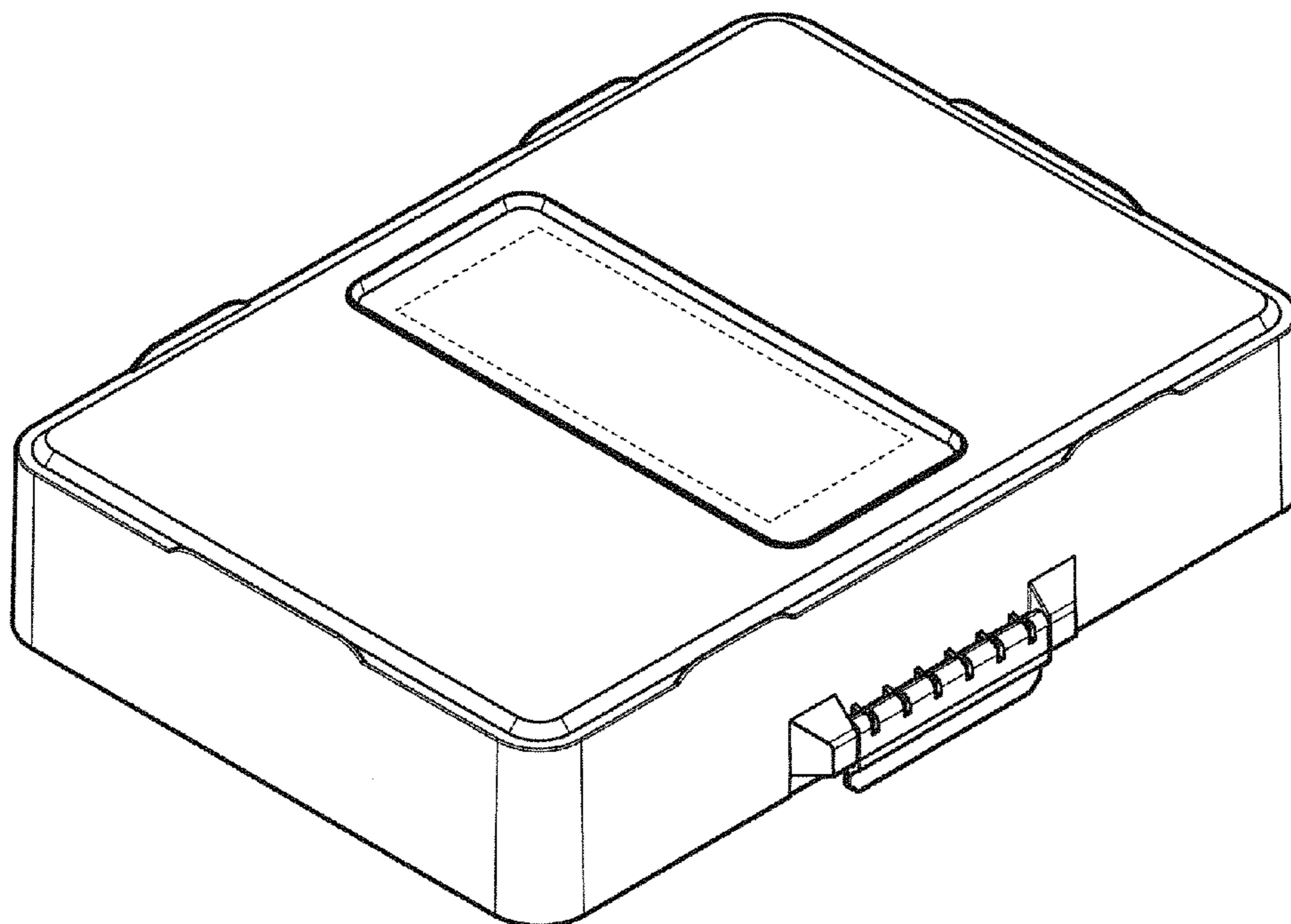
(57) **CLAIM**

The ornamental design for a portable storage container cover, as shown and described.

DESCRIPTION

FIG. 1 is a top perspective view of a portable storage container cover showing our new design;
FIG. 2 is a bottom perspective view thereof;
FIG. 3 is a top plan view thereof;
FIG. 4 is a bottom plan view thereof;
FIG. 5 is a front elevational view thereof;
FIG. 6 is a rear elevational view thereof,
FIG. 7 is a left side elevational view thereof; and,
FIG. 8 is a right side elevational view thereof.
The broken lines showing structure in the middle portion of the cover are for the purposes of illustrating environment and form no part of the claimed design.

1 Claim, 6 Drawing Sheets



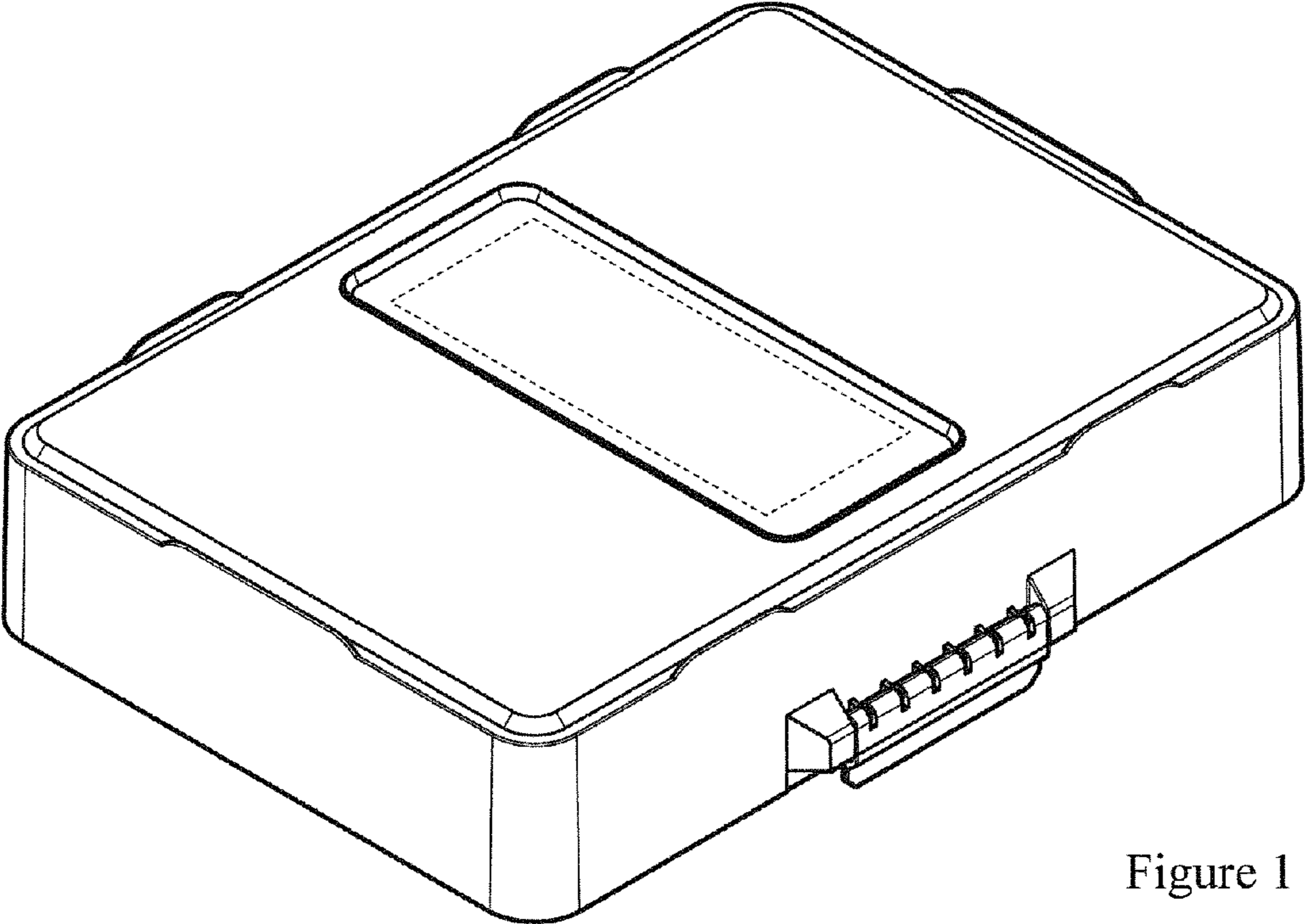


Figure 1

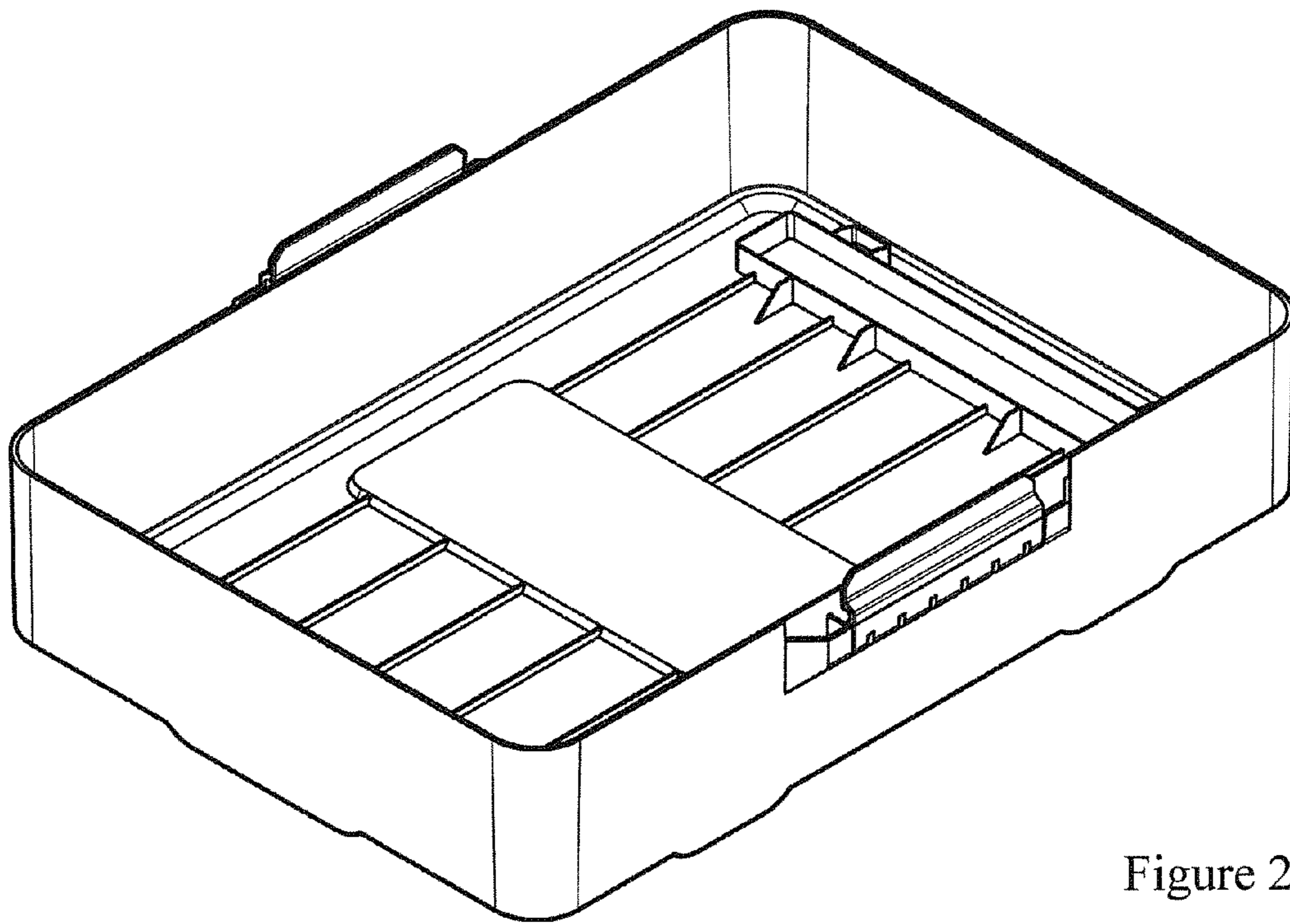


Figure 2

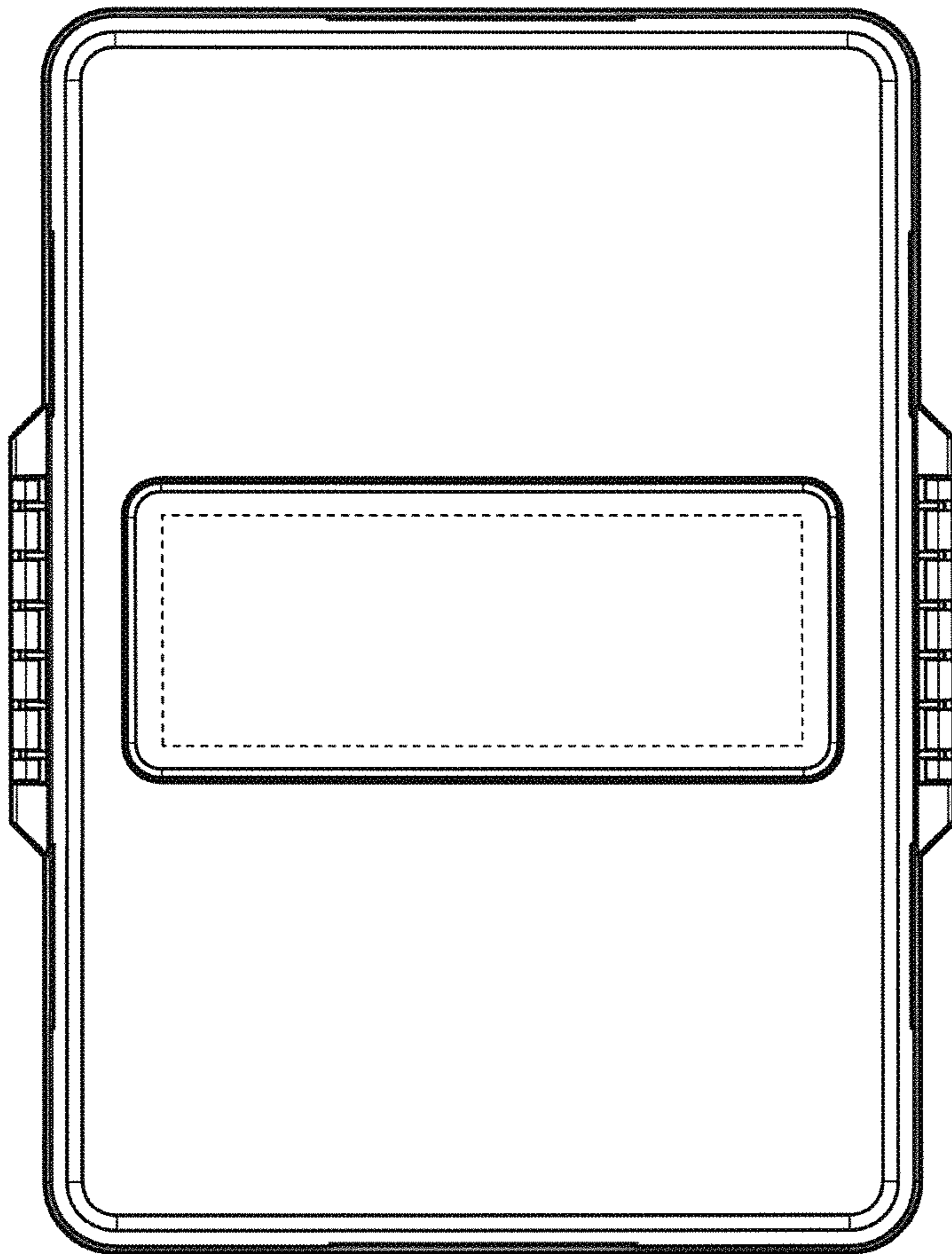


Figure 3

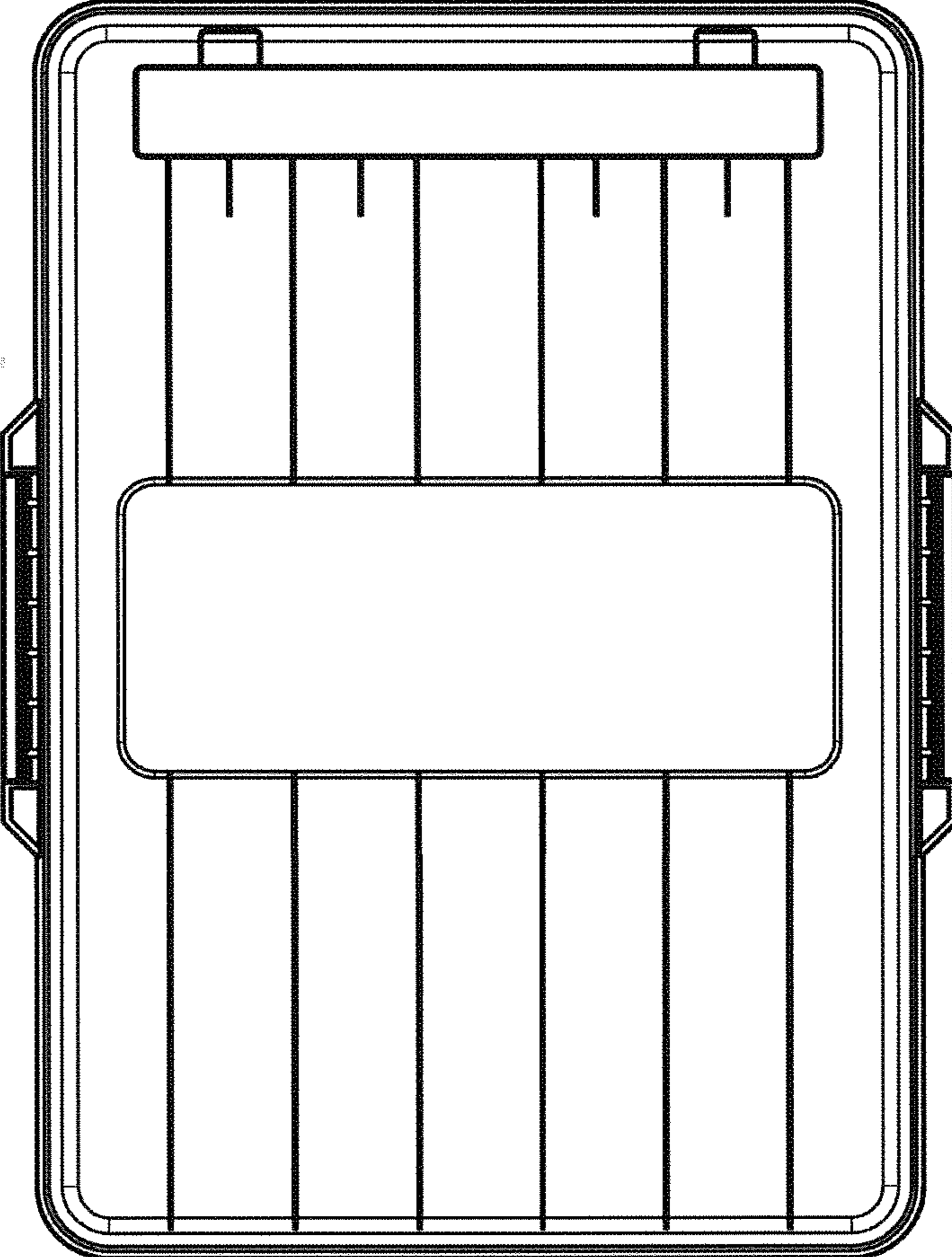


Figure 4

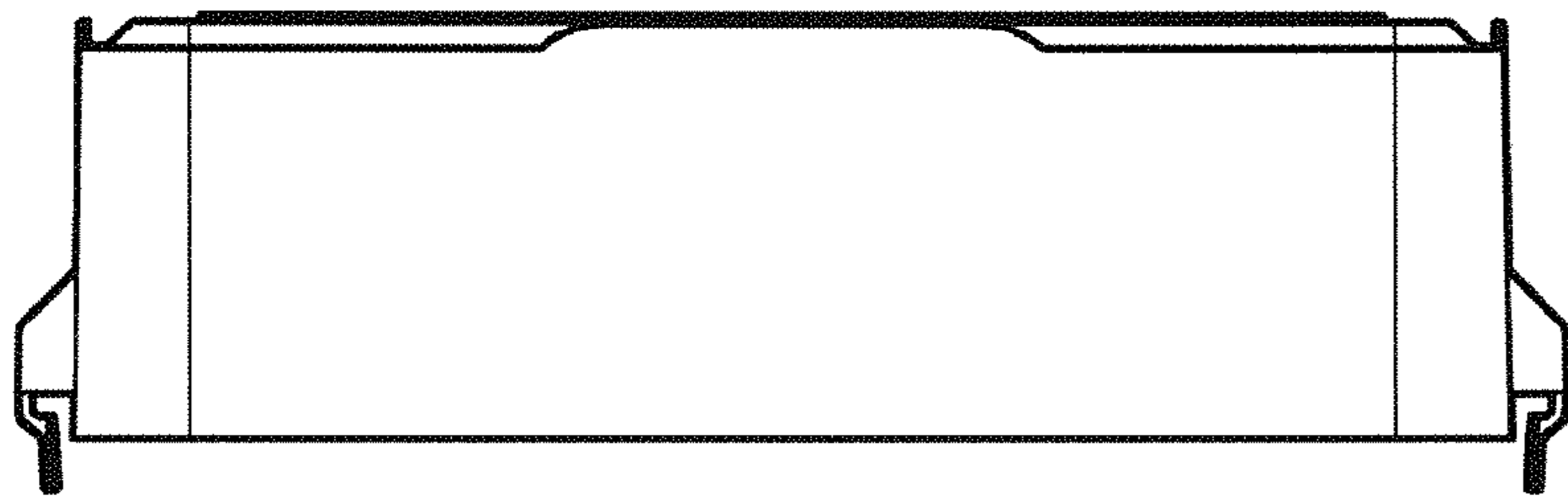


Figure 5

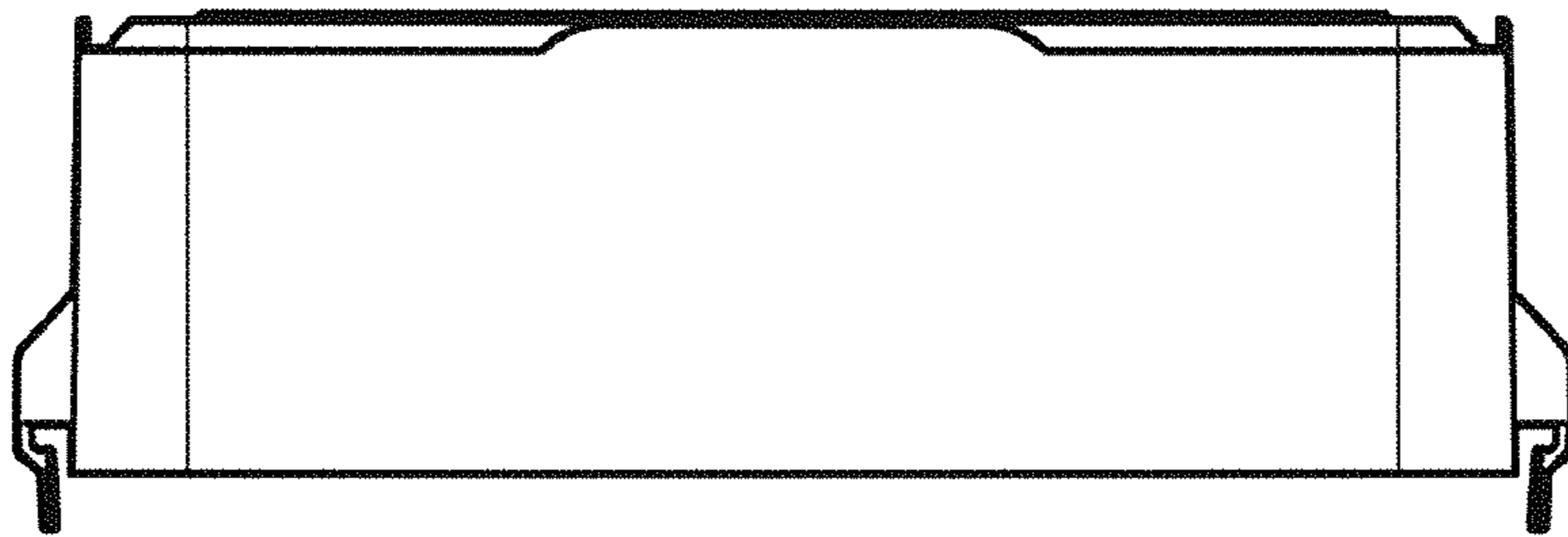


Figure 6

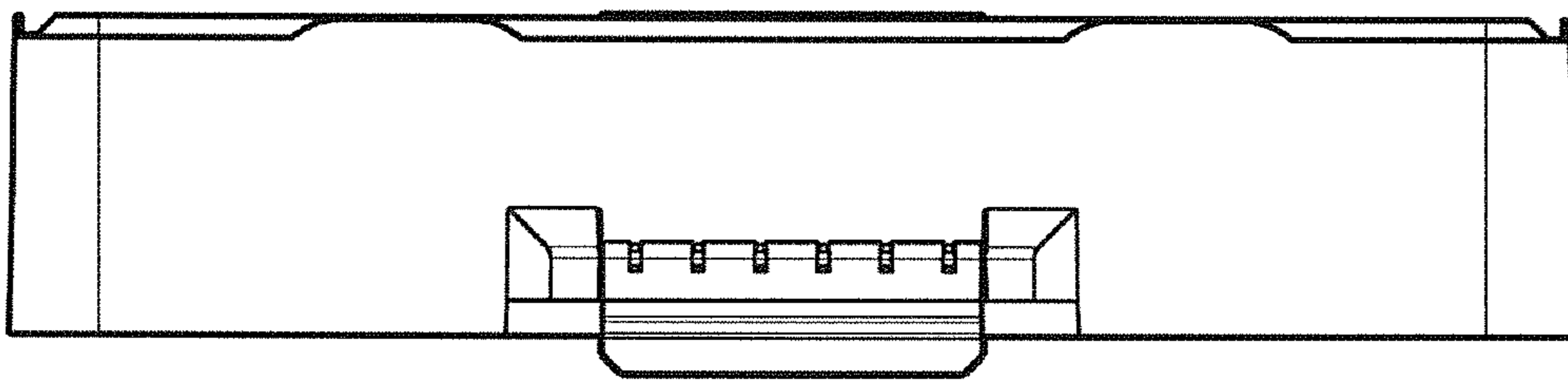


Figure 7

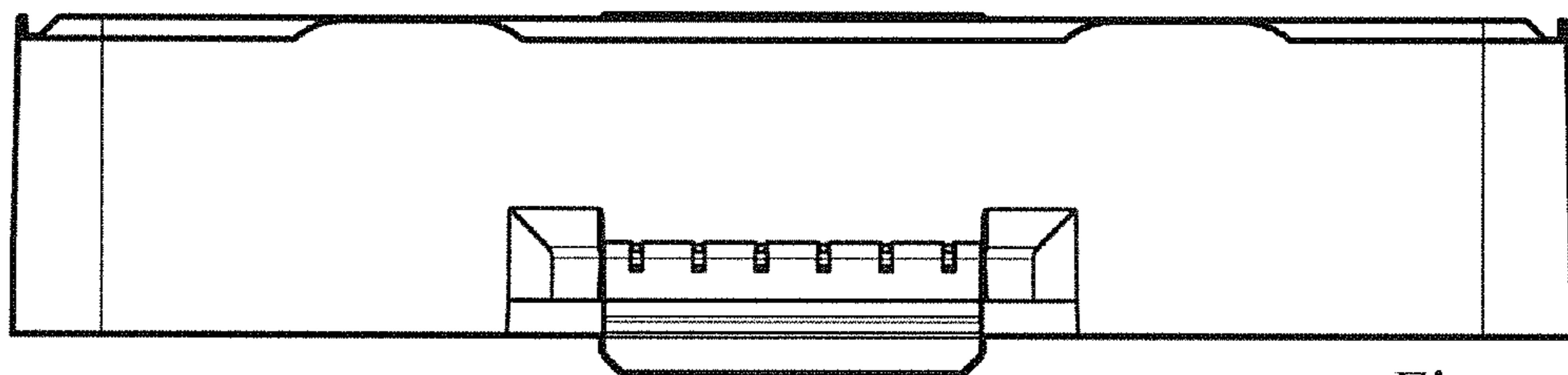


Figure 8