



US00D742641S

(12) **United States Design Patent**
Koh

(10) **Patent No.:** **US D742,641 S**

(45) **Date of Patent:** **** Nov. 10, 2015**

(54) **CASE FOR TAPE CLEANER**

(71) Applicant: **Jong Taek Koh**, Gyeonggi-do (KR)

(72) Inventor: **Jong Taek Koh**, Gyeonggi-do (KR)

(**) Term: **14 Years**

(21) Appl. No.: **29/452,751**

(22) Filed: **Apr. 22, 2013**

(51) **LOC (10) Cl.** **03-01**

(52) **U.S. Cl.**
USPC **D3/294**

(58) **Field of Classification Search**
USPC D3/294, 273, 316, 302, 269; D4/199,
D4/122; D14/217
CPC B65D 83/10; B65D 43/14; B65D 51/10;
B65D 2221/00; B65D 2585/00; B65D
2585/08; B65D 2585/6815; B65D 2858/6835;
B65D 2585/689
See application file for complete search history.

(56) **References Cited**

U.S. PATENT DOCUMENTS

D516,312 S * 3/2006 Chan D3/294
D564,216 S * 3/2008 Thai D3/202

D643,217 S * 8/2011 Pedersen D3/302
D713,639 S * 9/2014 Whitlock et al. D3/202
2003/0188980 A1* 10/2003 Myers 206/361

* cited by examiner

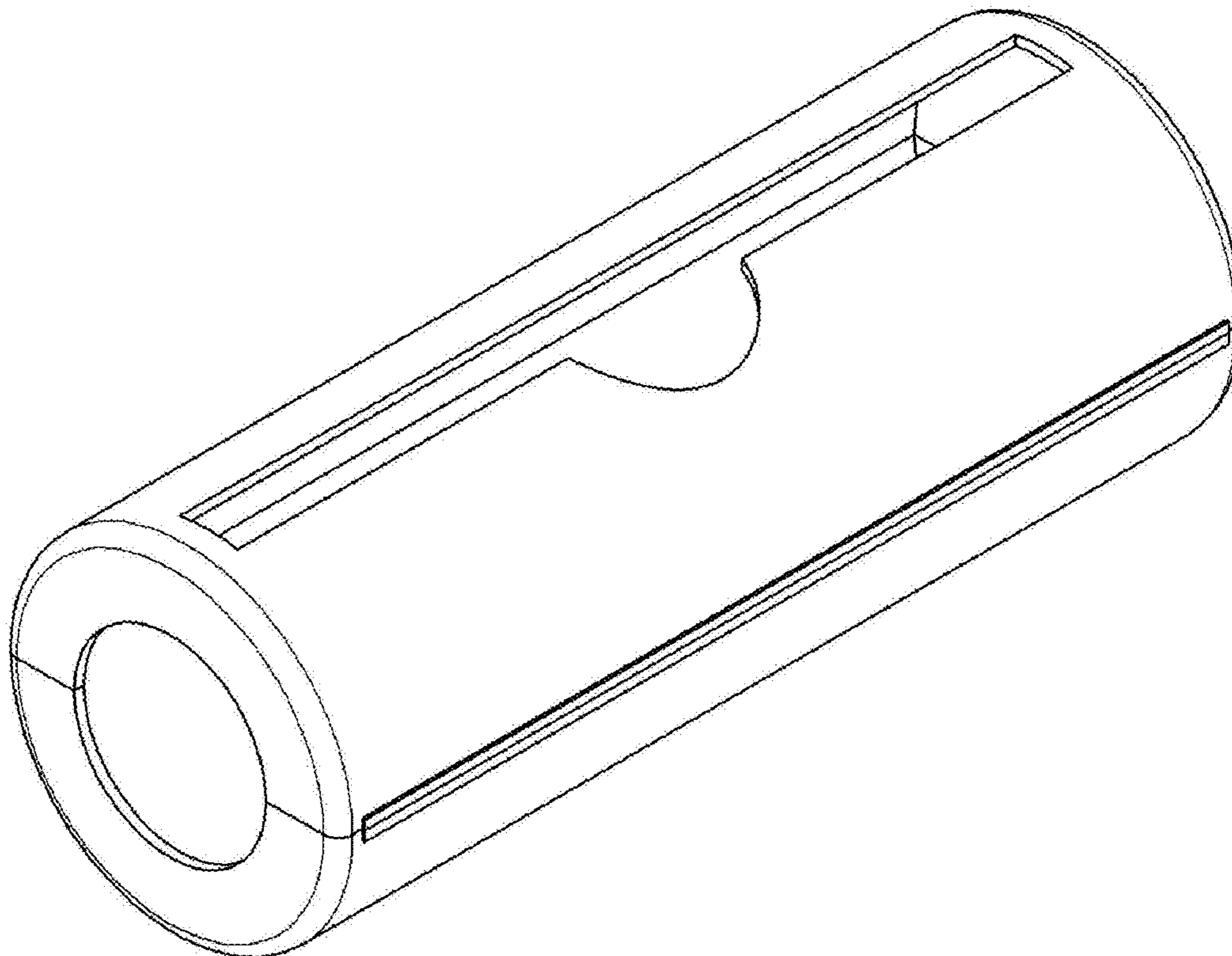
Primary Examiner — Daniel Bui
Assistant Examiner — Khawaja Anwar
(74) *Attorney, Agent, or Firm* — Rabin & Berdo, P.C.

(57) **CLAIM**
The ornamental design for a case for tape cleaner, as shown and described.

DESCRIPTION

FIG. 1 is a perspective view of a case for tape cleaner showing my new design;
FIG. 2 is a front elevational view thereof;
FIG. 3 is a rear elevational view thereof;
FIG. 4 is a left side elevational view thereof;
FIG. 5 is a right side elevational view thereof;
FIG. 6 is a top view thereof; and,
FIG. 7 is a bottom view thereof.
The broken lines showing of a side cover of the case for tape cleaner in FIGS. 2 through 7 are for the purpose of illustrating environmental structure and form no part of the claimed design.

1 Claim, 4 Drawing Sheets



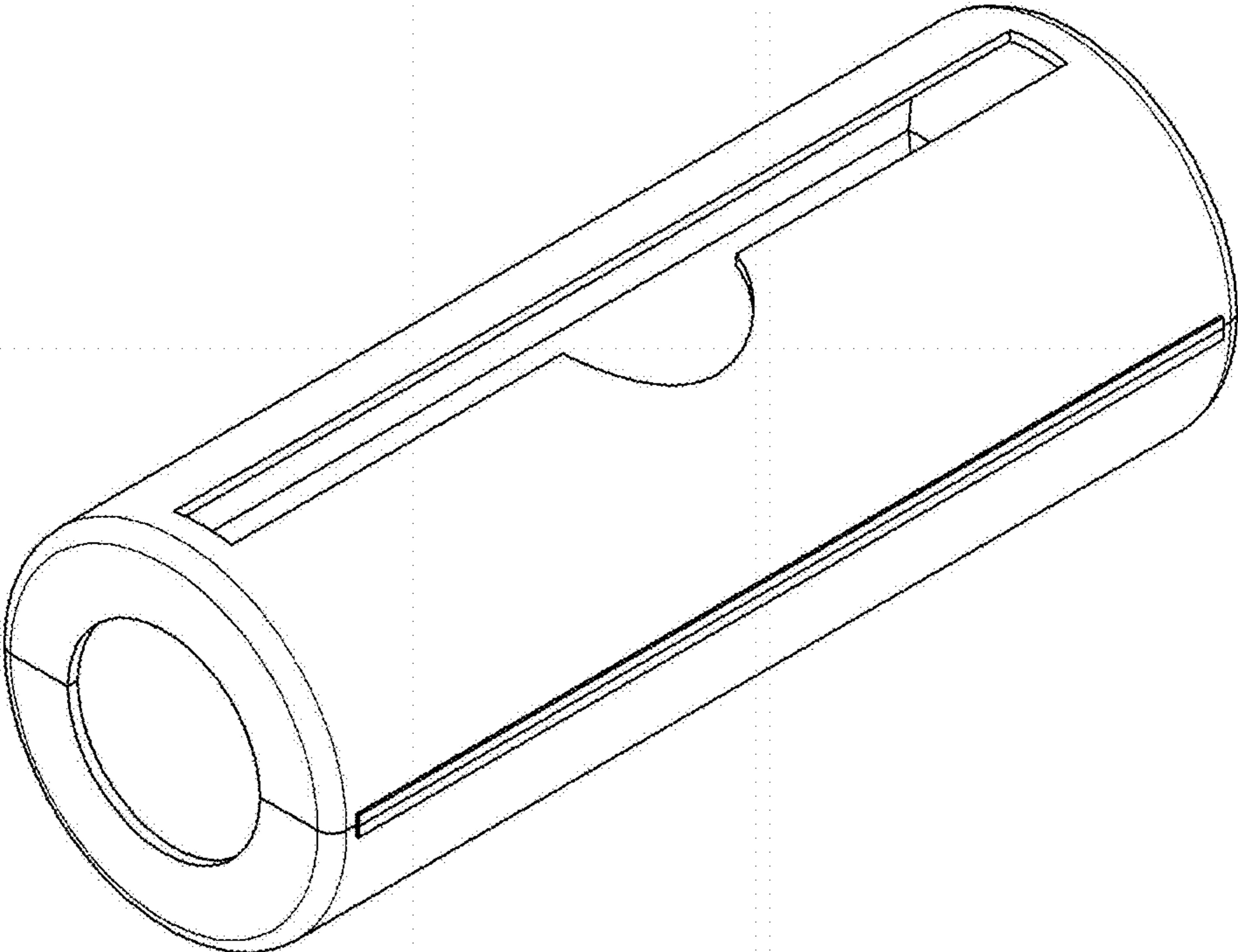


FIG. 1

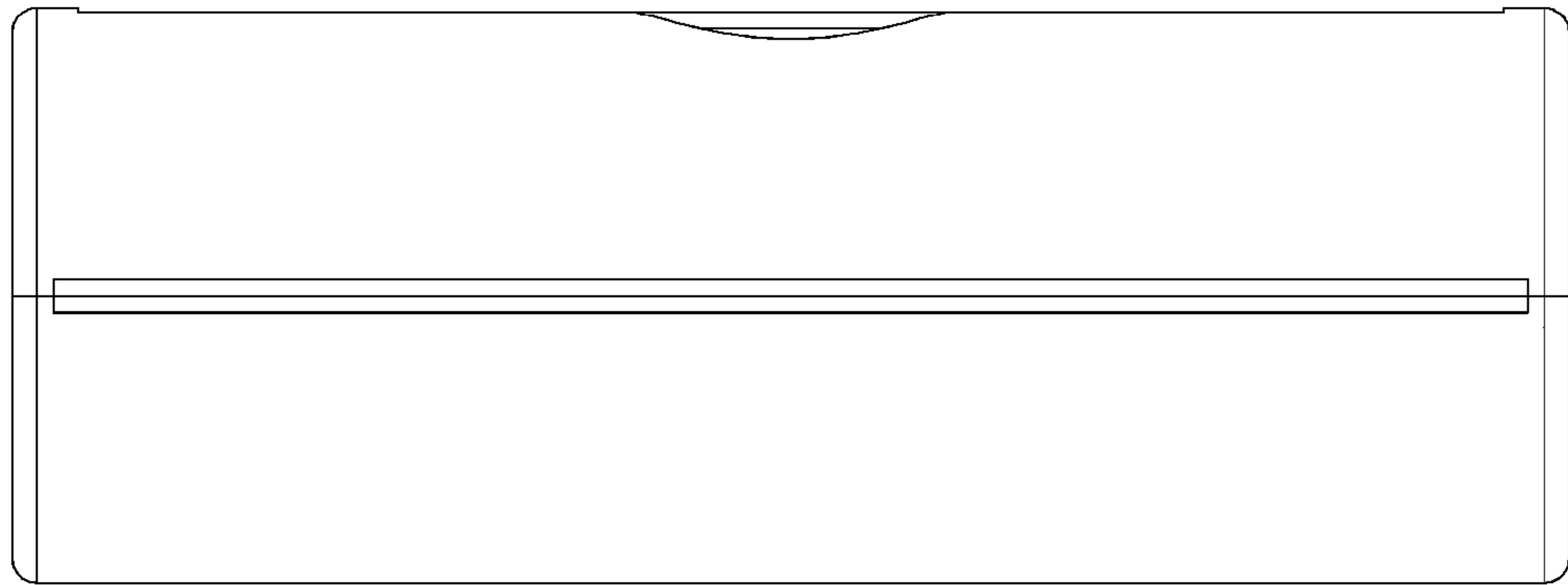


FIG. 2

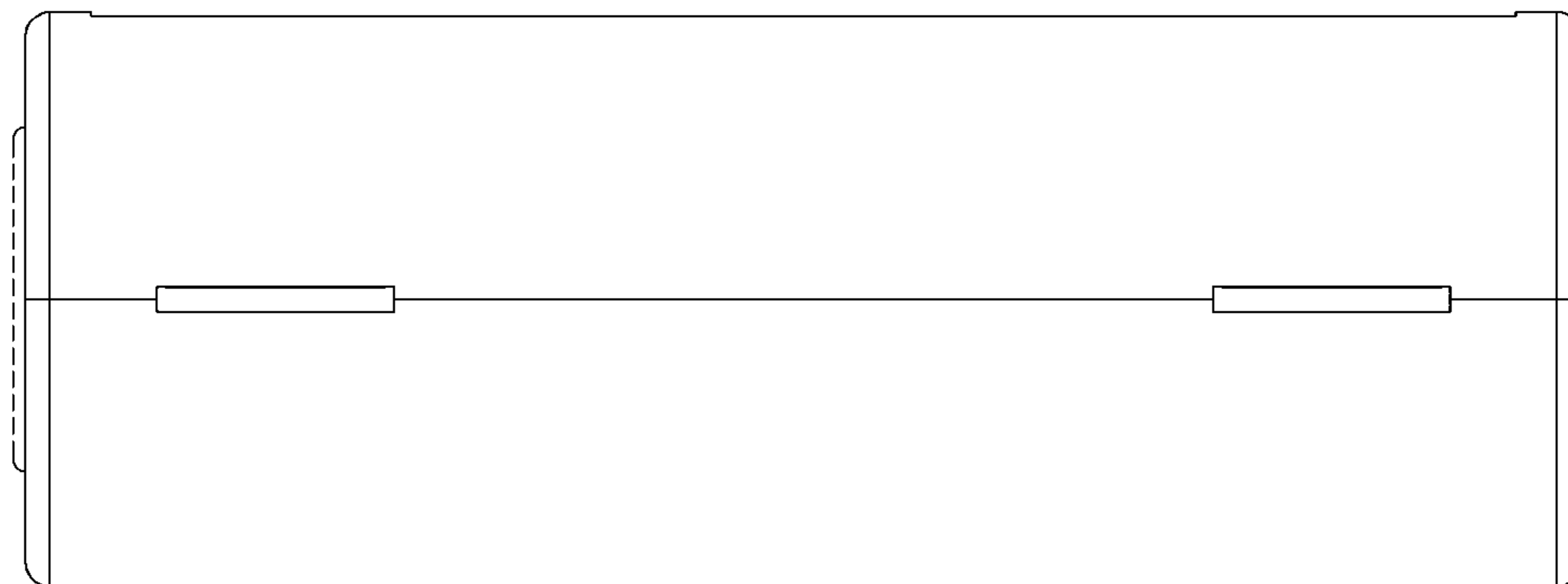


FIG. 3

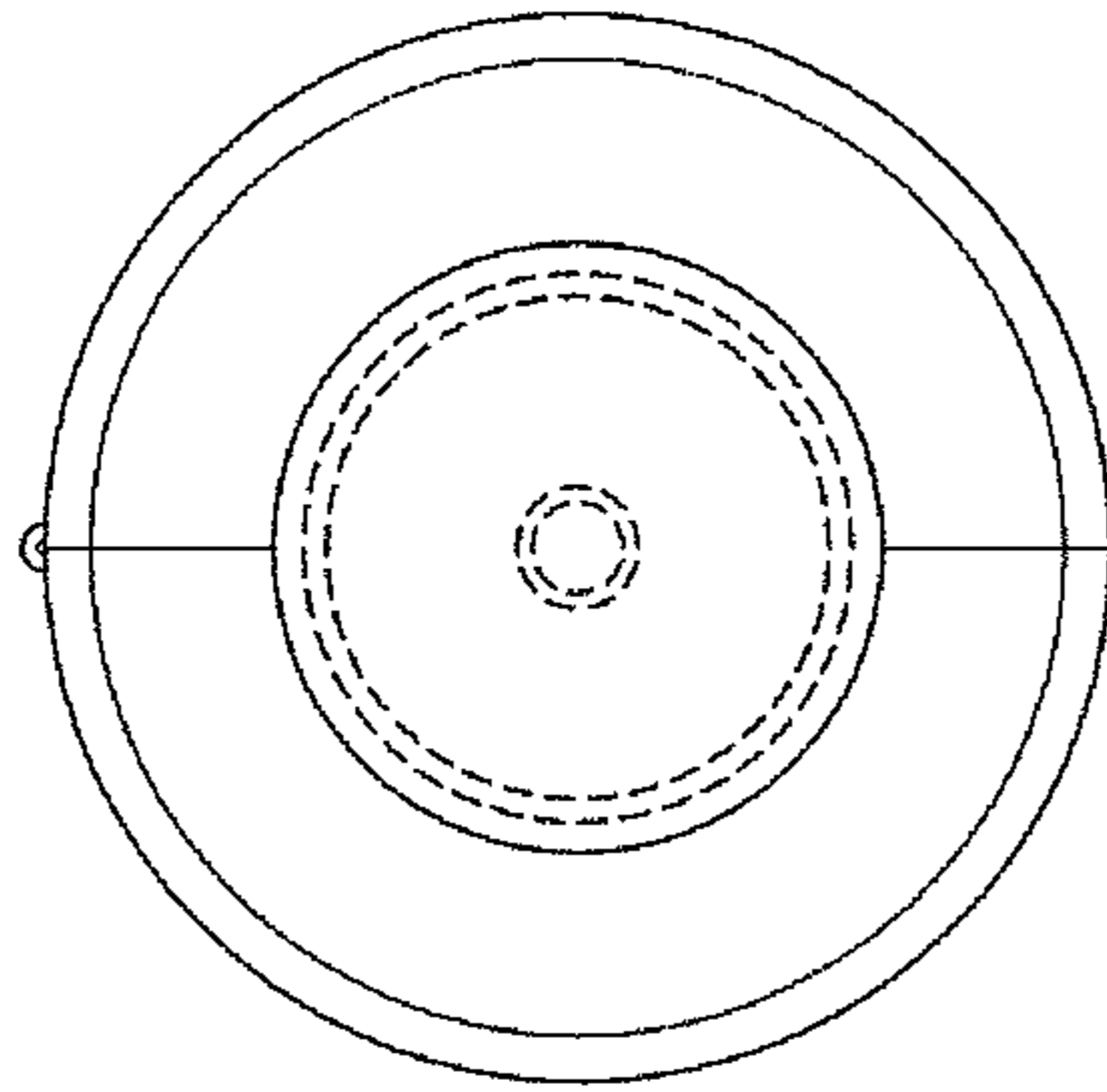


FIG. 4

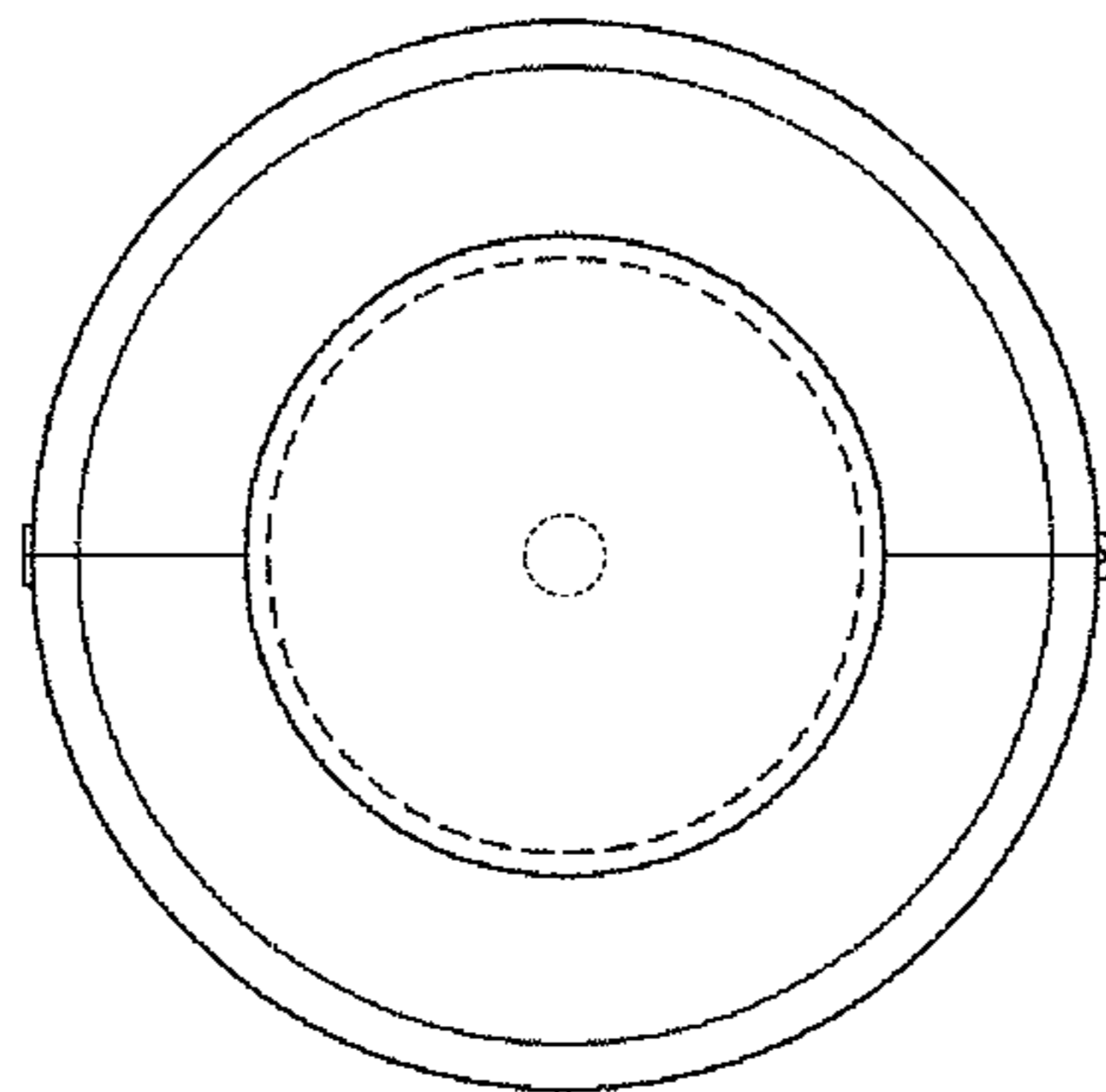


FIG. 5

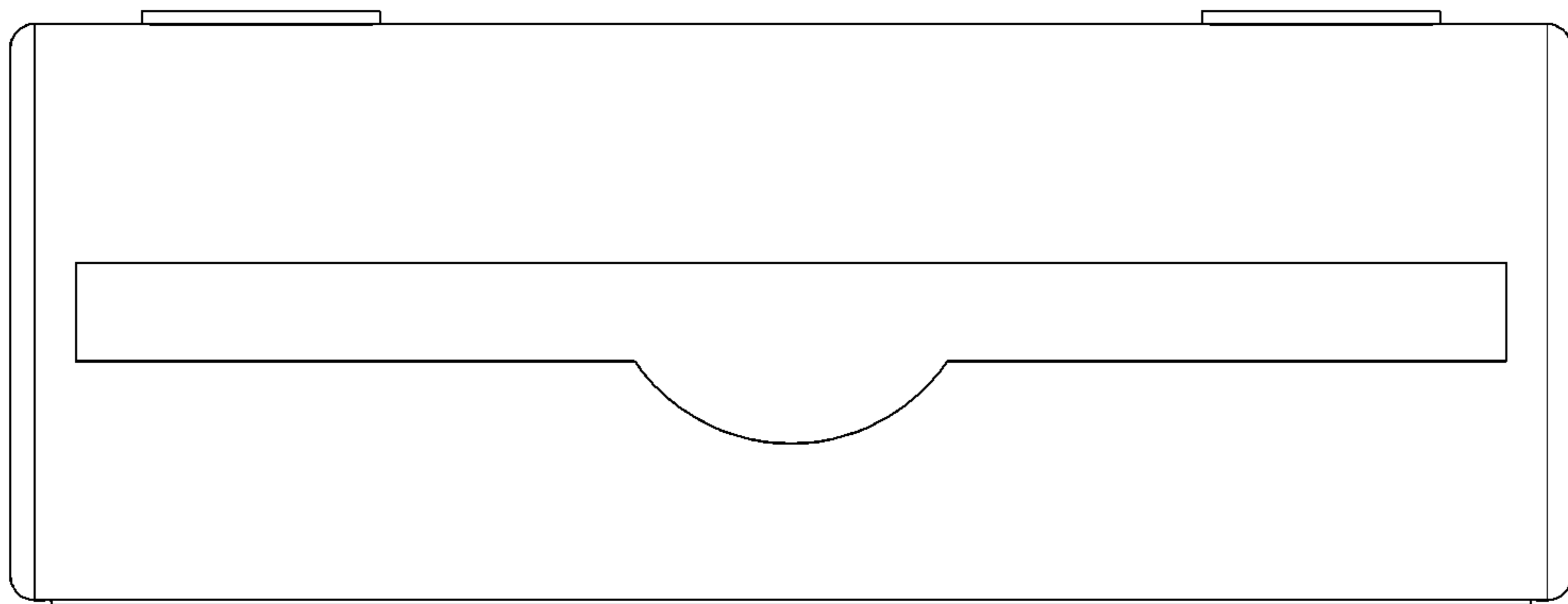


FIG. 6

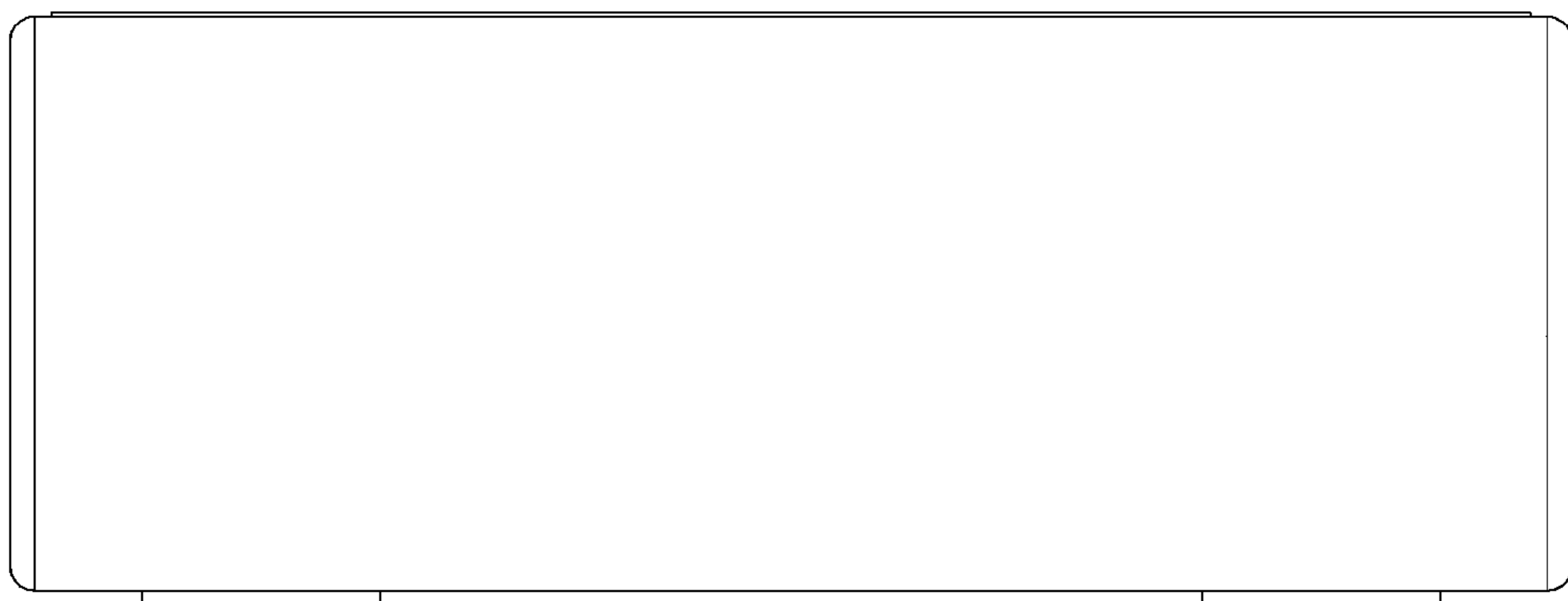


FIG. 7