



US00D742640S

(12) **United States Design Patent**
Sabbag et al.

(10) **Patent No.:** **US D742,640 S**

(45) **Date of Patent:** **** Nov. 10, 2015**

(54) **TOOL BOX**

(56)

References Cited

(71) Applicant: **THE STANLEY WORKS ISRAEL LTD.**, Rosh Ha' Ayin (IL)

(72) Inventors: **Yosi Sabbag**, Holon (IL); **Elad Hay Shitrit**, Tel Aviv (IL)

(73) Assignee: **The Stanley Works Israel Ltd.**, Rosh Ha' Ayin (IL)

(**) Term: **14 Years**

(21) Appl. No.: **29/488,161**

(22) Filed: **Apr. 16, 2014**

U.S. PATENT DOCUMENTS

D462,519 S *	9/2002	Gaydos et al.	D3/276
D600,912 S *	9/2009	Brunner	D3/291
D649,350 S *	11/2011	Shitrit	D3/281
D668,048 S *	10/2012	Vilkomirski et al.	D3/281
D674,605 S *	1/2013	Vilkomirski et al.	D3/281
D694,522 S *	12/2013	Horovitz	D3/281
D701,697 S *	4/2014	Sabbag et al.	D3/281
D703,436 S *	4/2014	Sabbag et al.	D3/281
D709,697 S *	7/2014	Brunner	D3/281
D709,698 S *	7/2014	Brunner	D3/281
D711,105 S *	8/2014	Brunner	D3/281

* cited by examiner

Primary Examiner — Jennifer Rivard

(74) *Attorney, Agent, or Firm* — Gabriel A. Haboubi

Related U.S. Application Data

(62) Division of application No. 29/438,731, filed on Dec. 3, 2012, now Pat. No. Des. 703,436.

Foreign Application Priority Data

Jun. 7, 2012 (EM) 001329619

(51) **LOC (10) Cl.** **03-01**

(52) **U.S. Cl.**
USPC **D3/281; D3/905**

(58) **Field of Classification Search**
USPC D3/273, 276, 281, 282, 283–286, 297,
D3/905, 296, 291; 220/523, 524, 527,
220/4.27; 206/349, 372–379; 280/47.19,
280/47.26

See application file for complete search history.

(57) **CLAIM**

The ornamental design for a tool box, as shown and described.

DESCRIPTION

FIG. 1 is a right front perspective view of our new design.

FIG. 2 is a front view thereof.

FIG. 3 is a rear view thereof.

FIG. 4 is a right side view thereof.

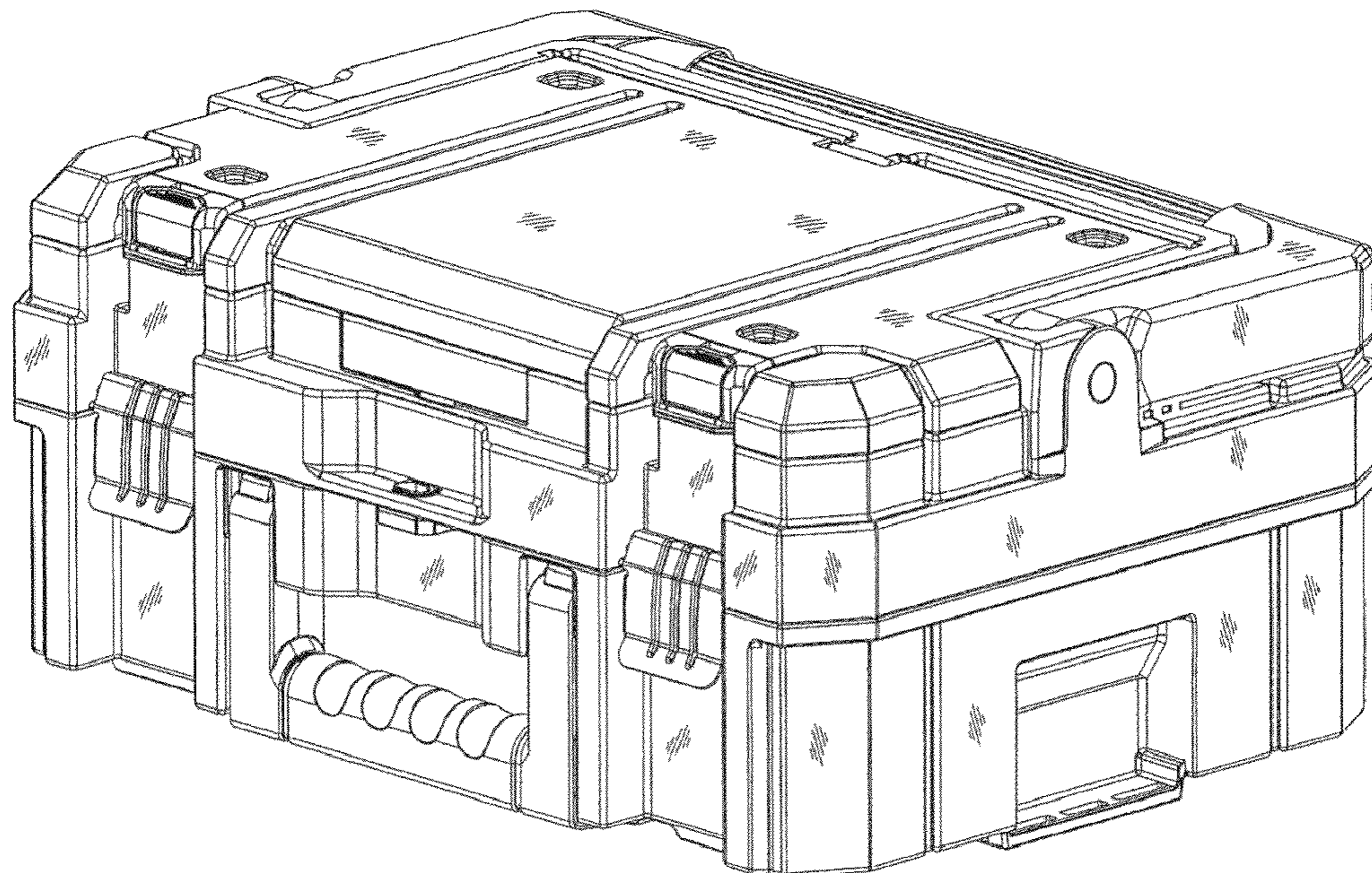
FIG. 5 is a left side view thereof.

FIG. 6 is a top view thereof; and,

FIG. 7 is a bottom view thereof.

The broken lines illustrate a portion of the tool box and form no part of the claimed design.

1 Claim, 7 Drawing Sheets



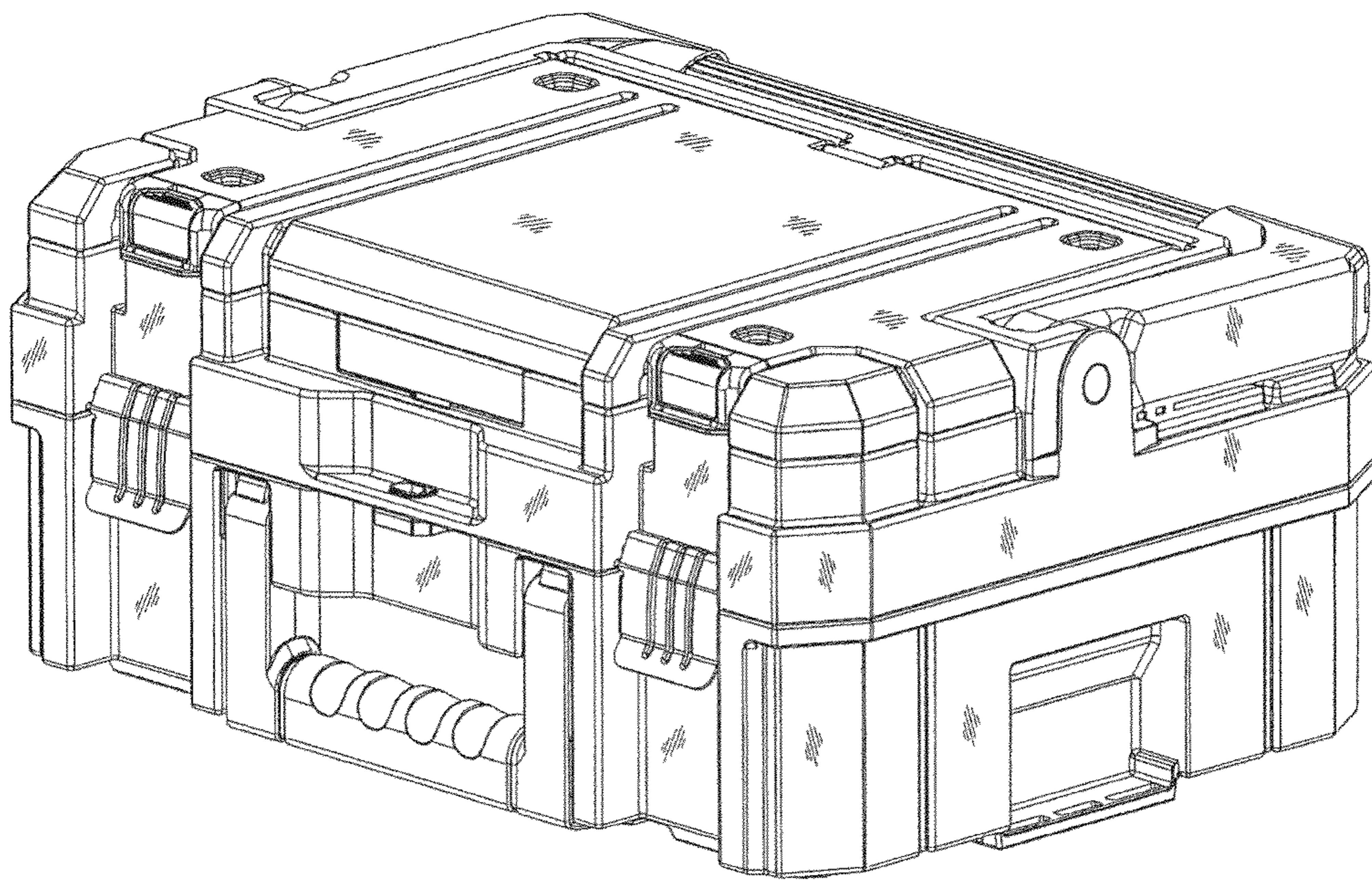


FIG. 1

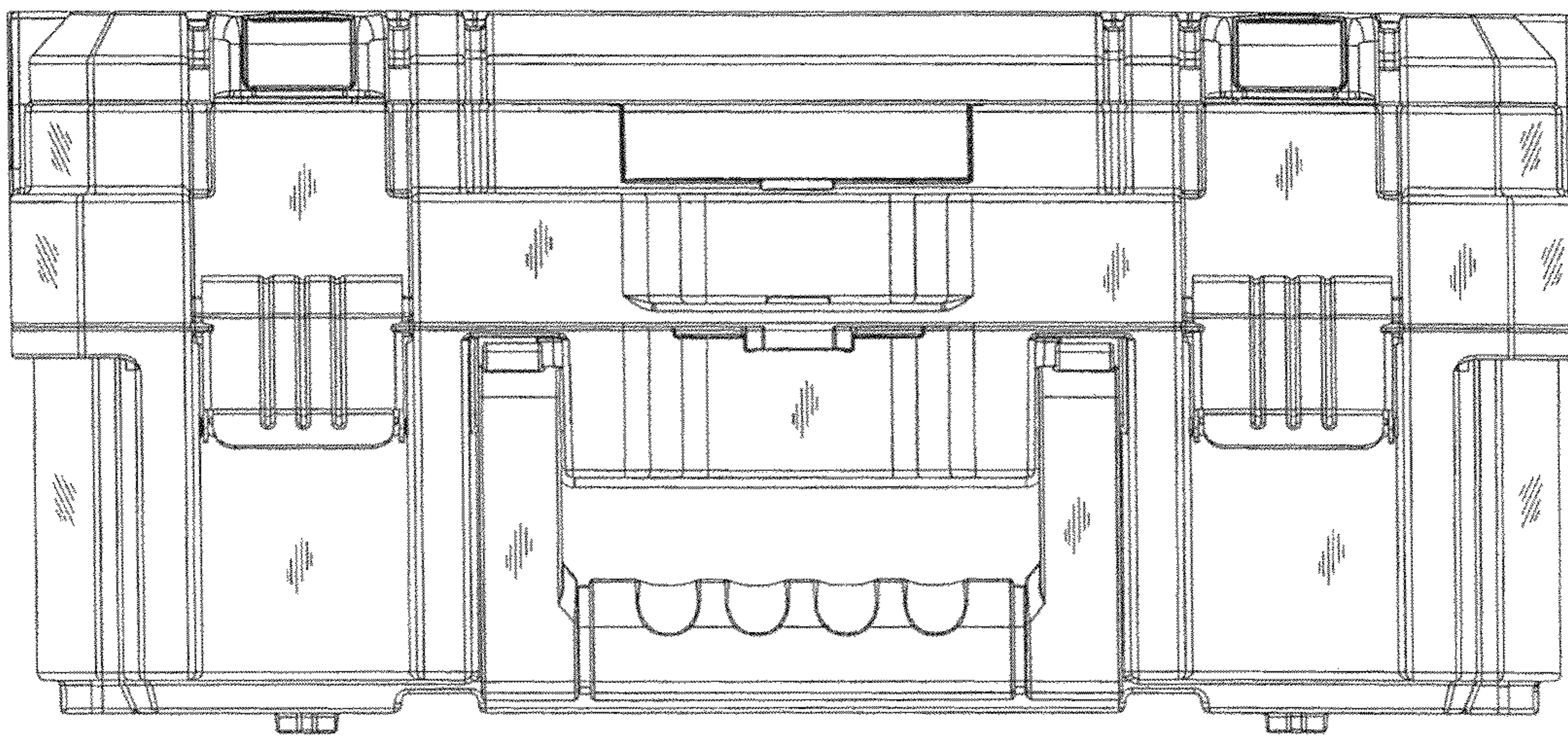


FIG. 2

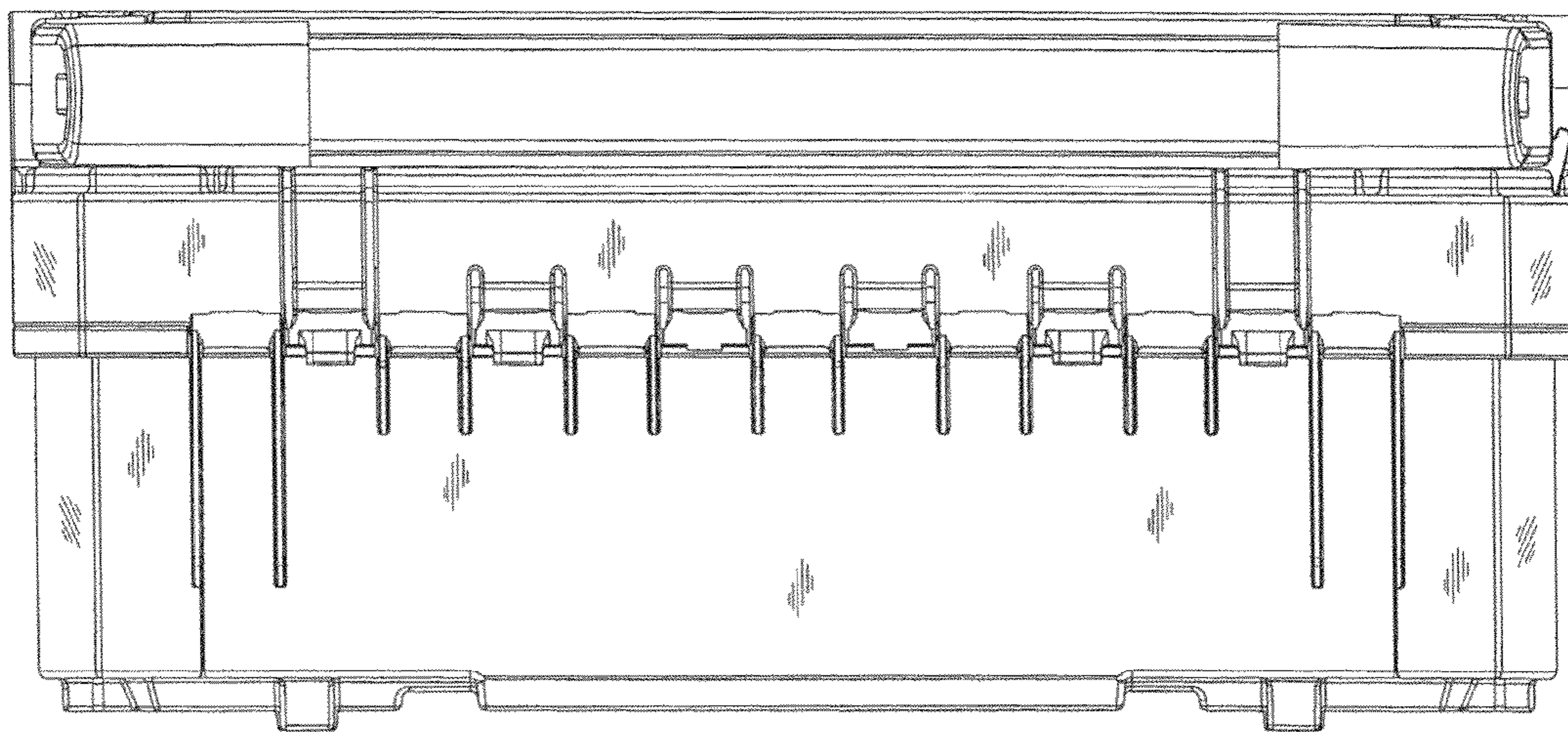


FIG. 3

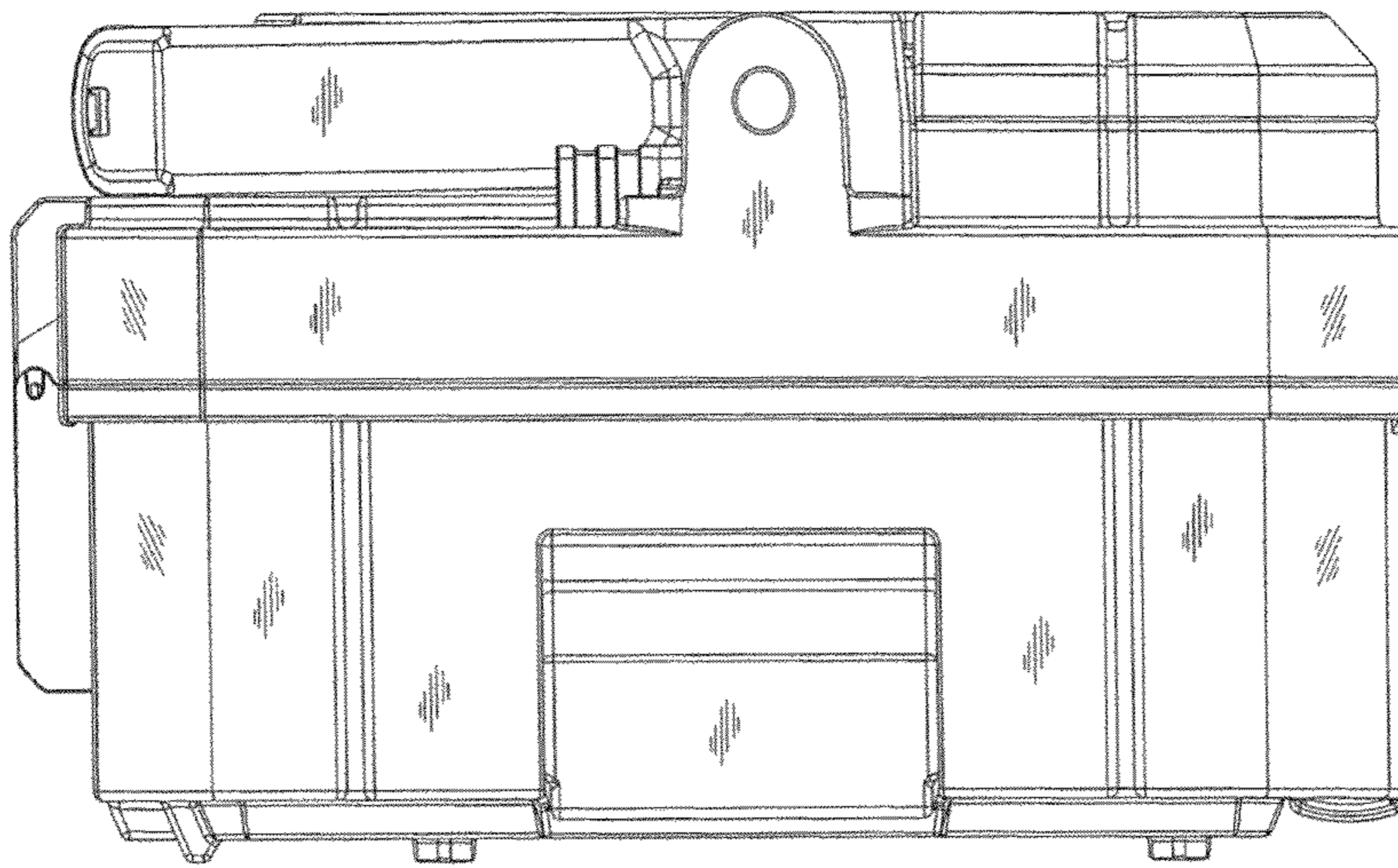


FIG. 4

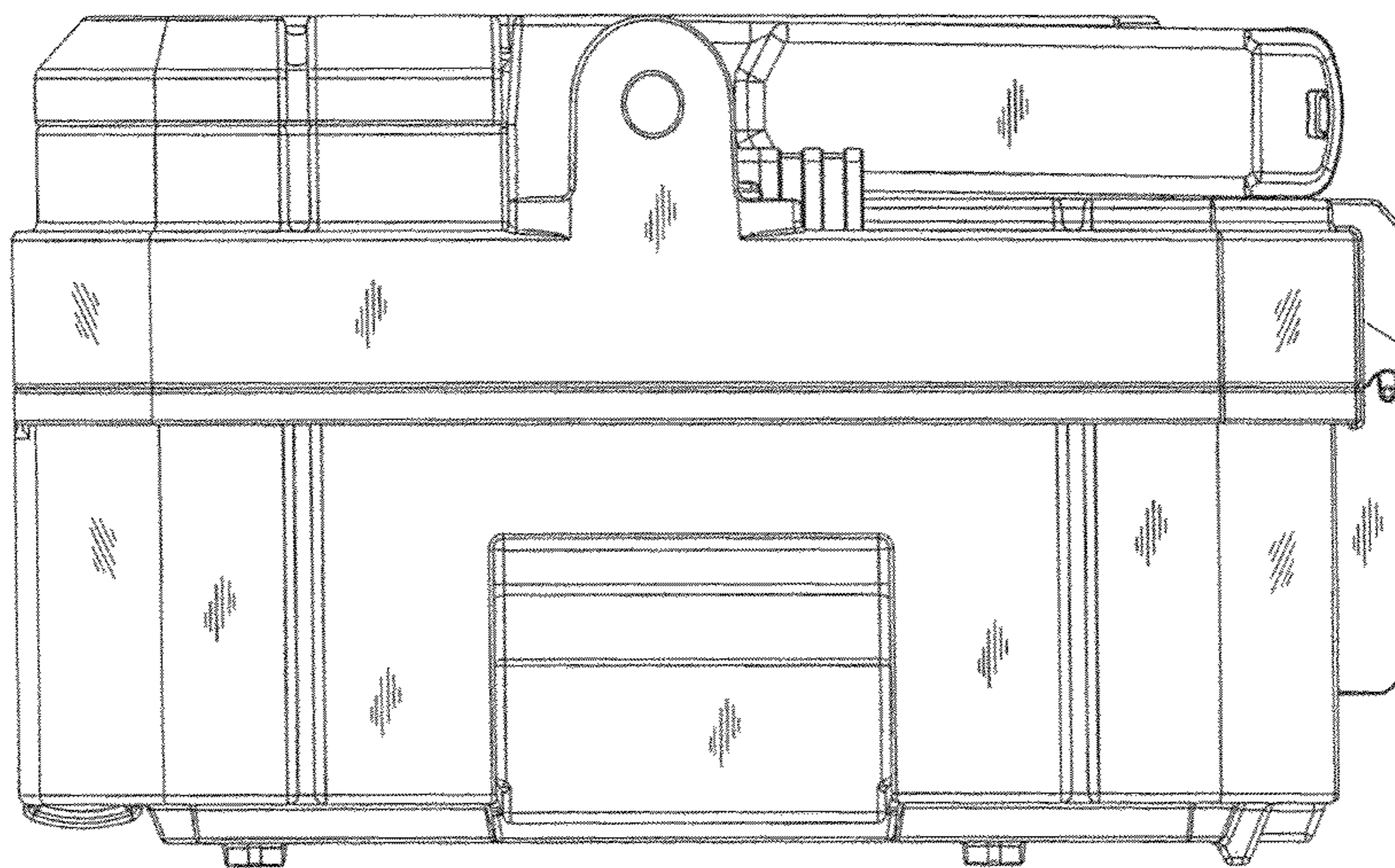


FIG. 5

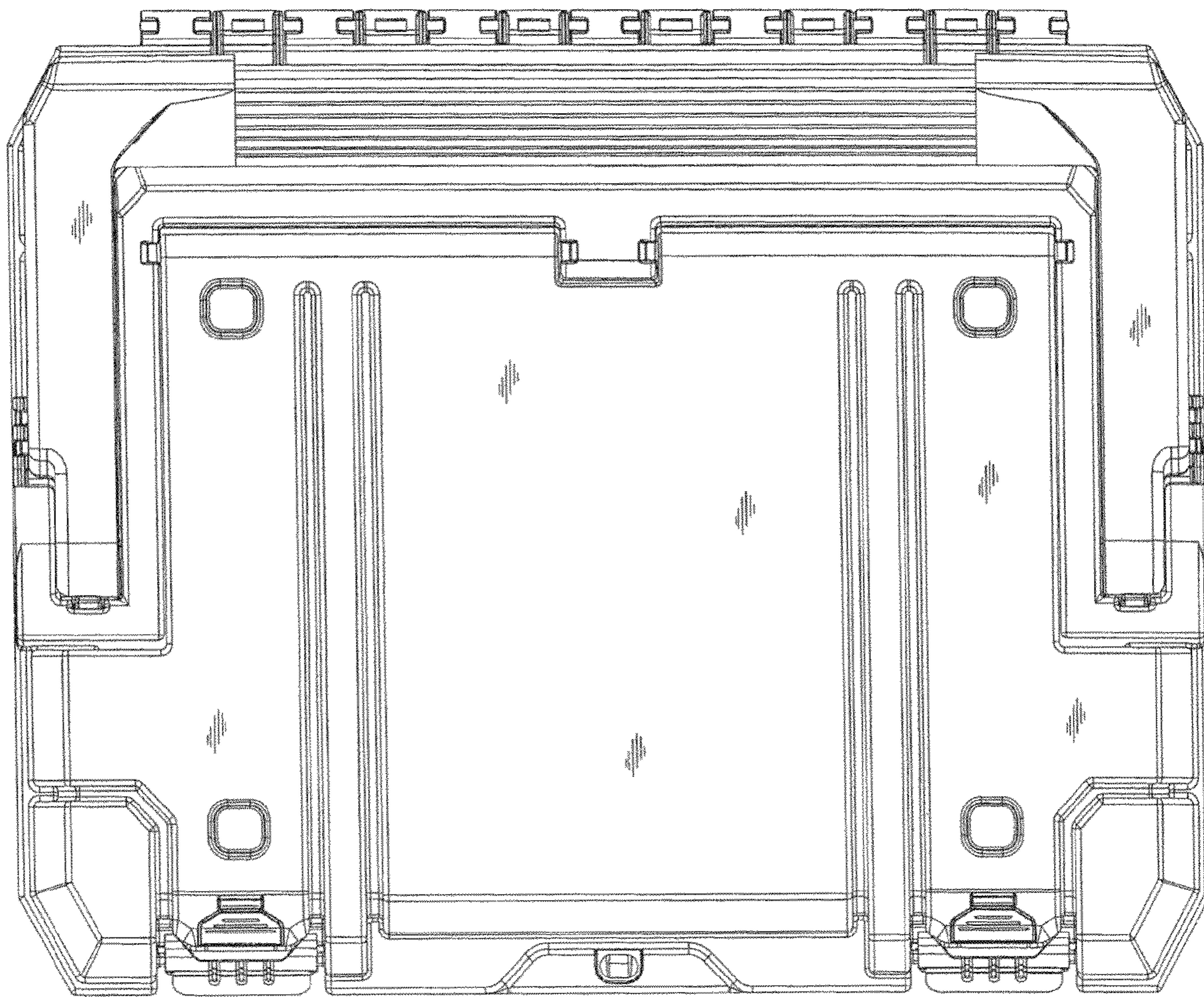


FIG. 6

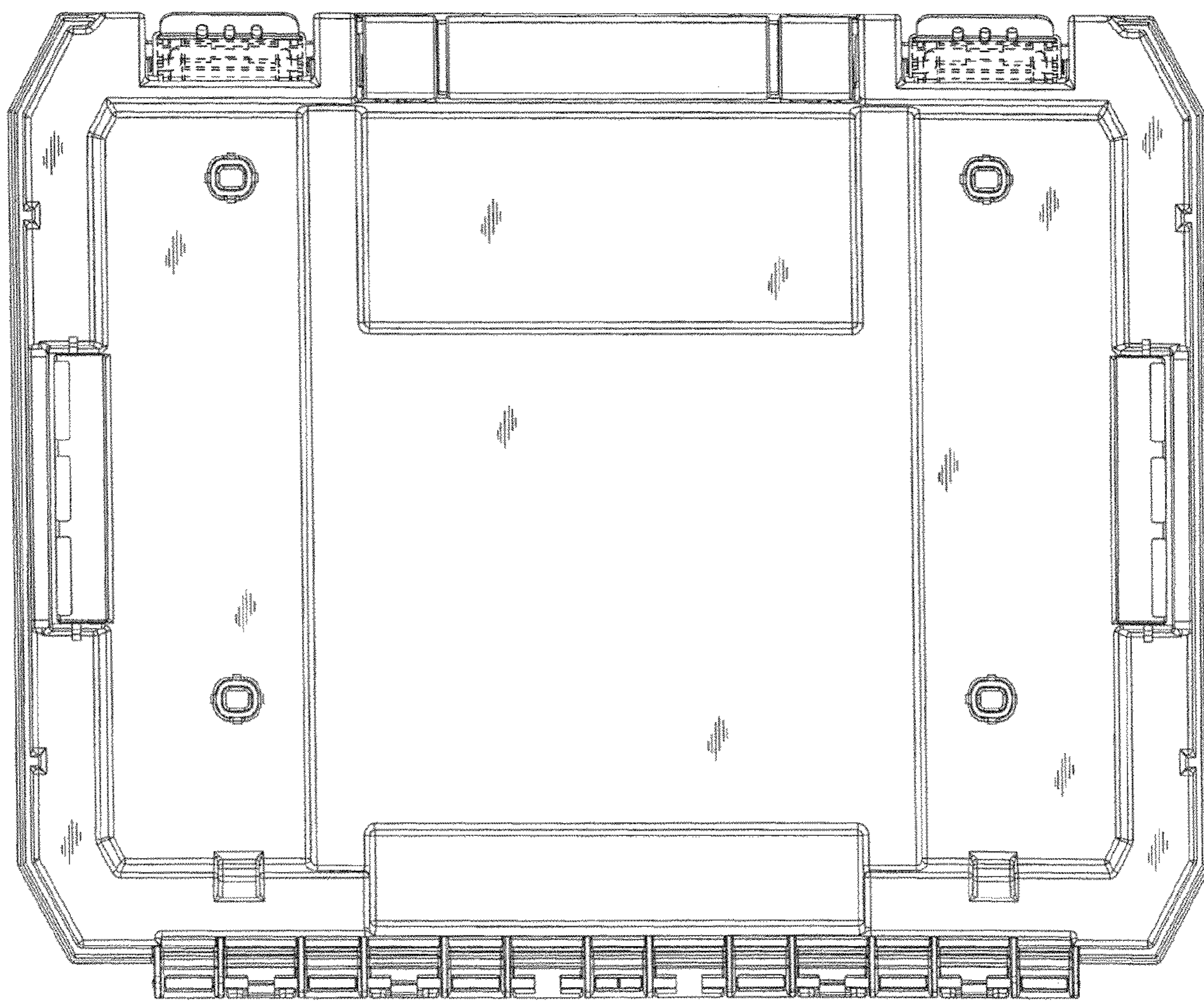


FIG. 7