



US00D742638S

(12) **United States Design Patent**
Melanson

(10) **Patent No.:** **US D742,638 S**

(45) **Date of Patent:** **** Nov. 10, 2015**

(54) **COMBINED LUGGAGE AND CARRIER**

(71) Applicant: **Inventions Unlimited, Inc.**, Palm Beach Gardens, FL (US)

(72) Inventor: **Charles J. Melanson**, Lake Park, FL (US)

(73) Assignee: **Inventions Unlimited, Inc.**, Palm Beach Gardens, FL (US)

(**) Term: **14 Years**

(21) Appl. No.: **29/508,651**

(22) Filed: **Nov. 9, 2014**

(51) **LOC (10) Cl.** **03-01**

(52) **U.S. Cl.**
USPC **D3/274; D3/289; D3/301; D3/902; D3/279**

(58) **Field of Classification Search**
USPC D3/272, 273, 276, 278, 279, 281, 283, D3/284, 285, 289, 294, 295, 298, 301, 302, D3/902, 274
CPC A45C 2003/008; A45C 5/00; A45C 5/03; A45C 2005/032; A45C 2005/037; A45C 2005/035; A45C 5/06; A45C 5/14; A45C 13/1084; A45C 13/385
See application file for complete search history.

(56) **References Cited**

U.S. PATENT DOCUMENTS

D395,361 S *	6/1998	Zionts et al.	D3/279
D446,936 S *	8/2001	Sanderson et al.	D3/289
D449,163 S *	10/2001	Dahlen et al.	D3/279
D507,876 S *	8/2005	Fadely	D3/279
D518,294 S *	4/2006	Doppelt	D3/279

7,246,805 B2 *	7/2007	Neal et al.	280/35
8,118,145 B1 *	2/2012	Hamamy et al.	190/18 A
D666,816 S *	9/2012	Weber	D3/279
D677,833 S *	3/2013	Key	D28/9
8,517,398 B1 *	8/2013	Wilson	280/38
2001/0035319 A1 *	11/2001	Clements et al.	190/109
2007/0158156 A1 *	7/2007	Chen	190/11
2007/0205025 A1 *	9/2007	Taha	177/245
2011/0056788 A1 *	3/2011	Jackson	190/2
2013/0180816 A1 *	7/2013	Wytenhove et al.	190/103
2014/0345996 A1 *	11/2014	Haramaty et al.	190/18 A

* cited by examiner

Primary Examiner — Jennifer Rivard

Assistant Examiner — April Rivas

(74) *Attorney, Agent, or Firm* — Nancy J. Flint, Esq.; Nancy J. Flint, Attorney At Law, P.A.

(57) **CLAIM**

The ornamental design for combined luggage and carrier, as shown and described.

DESCRIPTION

FIG. 1 is a left front perspective view of combined luggage and carrier according to my new design;
FIG. 2 is a left side view of combined luggage and carrier;
FIG. 3 is a top view of combined luggage and carrier;
FIG. 4 is a bottom view of combined luggage and carrier;
FIG. 5 is a back view of combined luggage and carrier;
FIG. 6 is a front view of an combined luggage and carrier;
and,

FIG. 7 is a left side perspective view of the combined luggage and carrier in a state of use.

The broken lines illustrate environment and form no part of the claimed design.

The right side views are mirror images of the left side views.

1 Claim, 5 Drawing Sheets

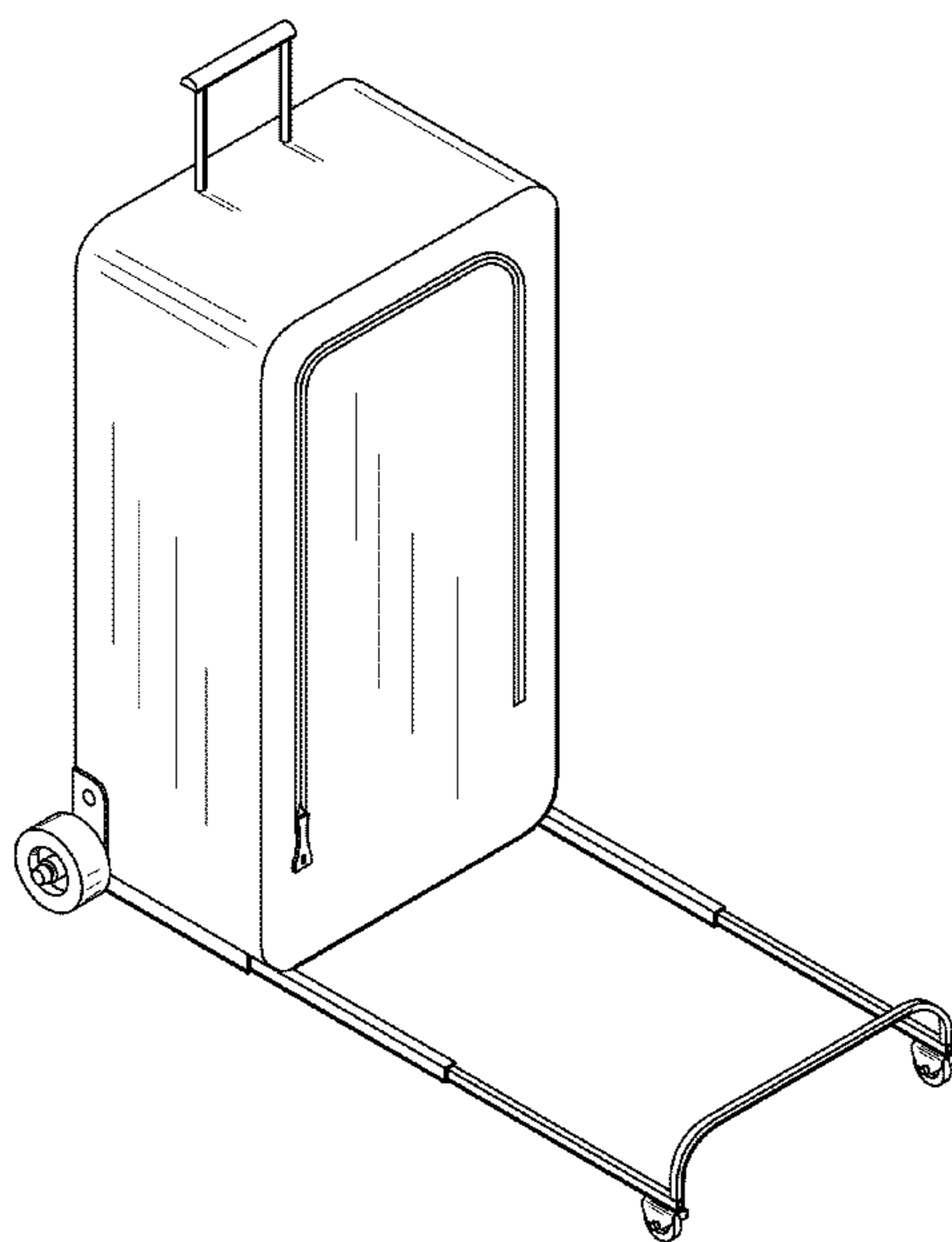


Fig. 1

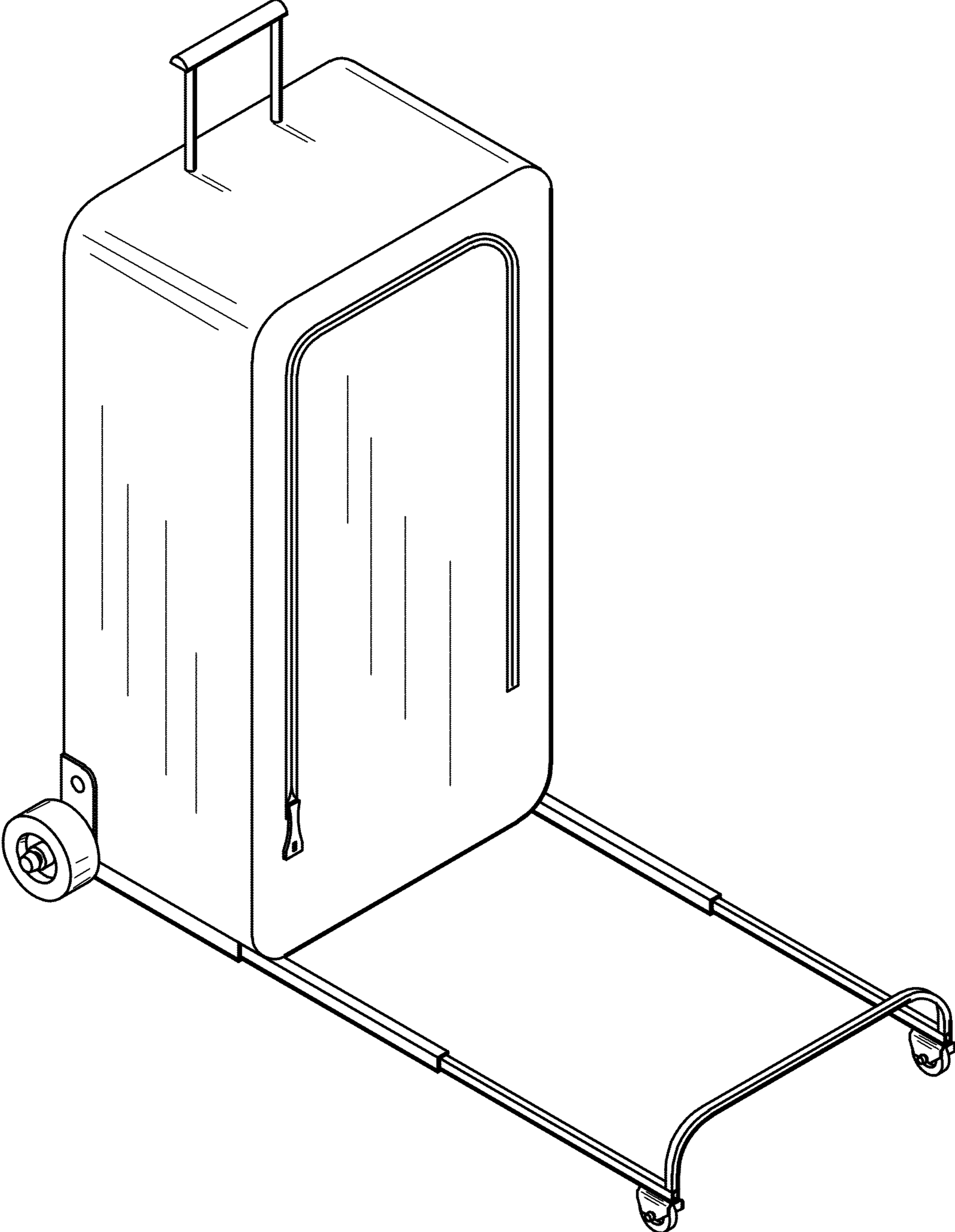


Fig. 2

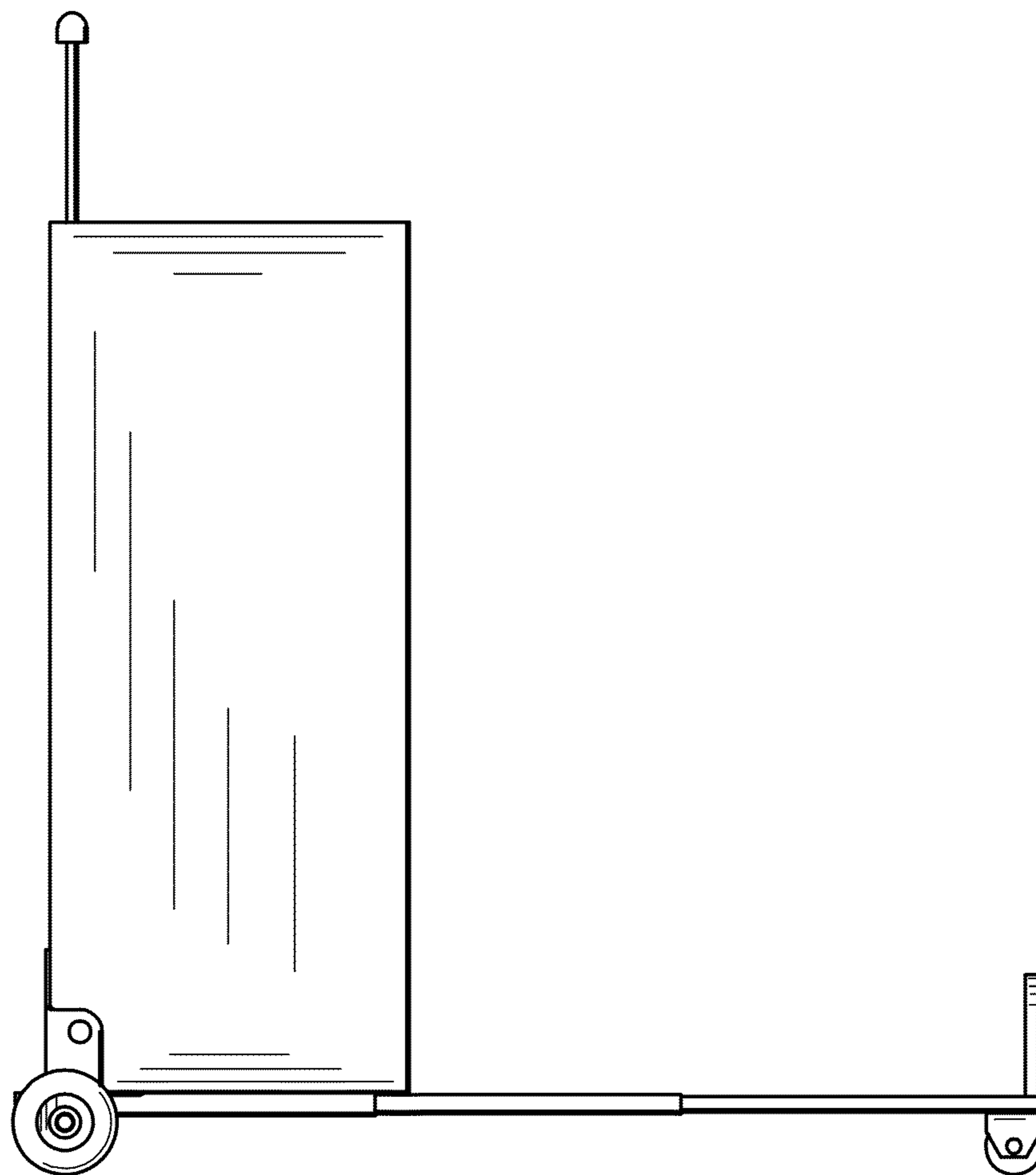


Fig. 3

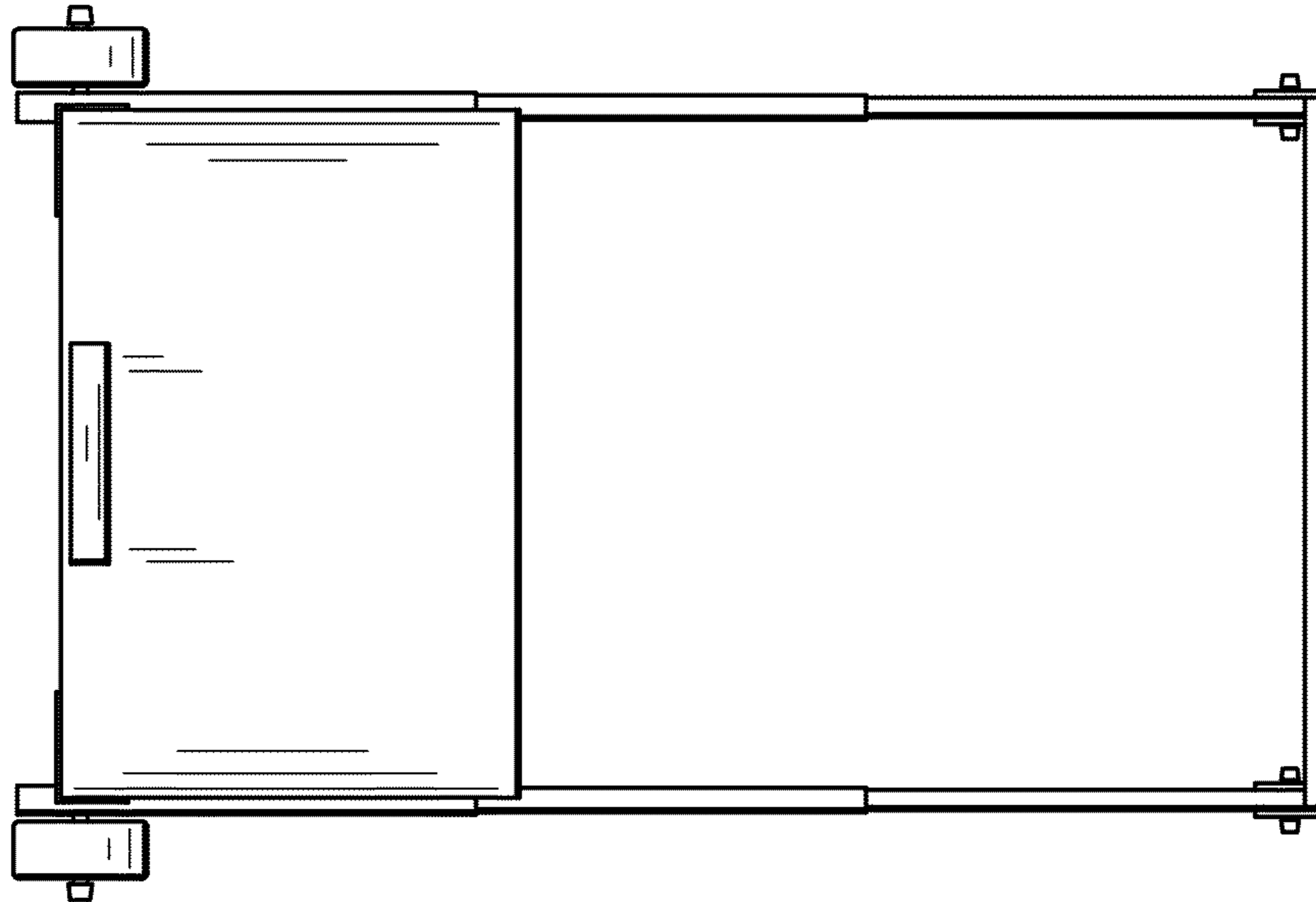


Fig. 4

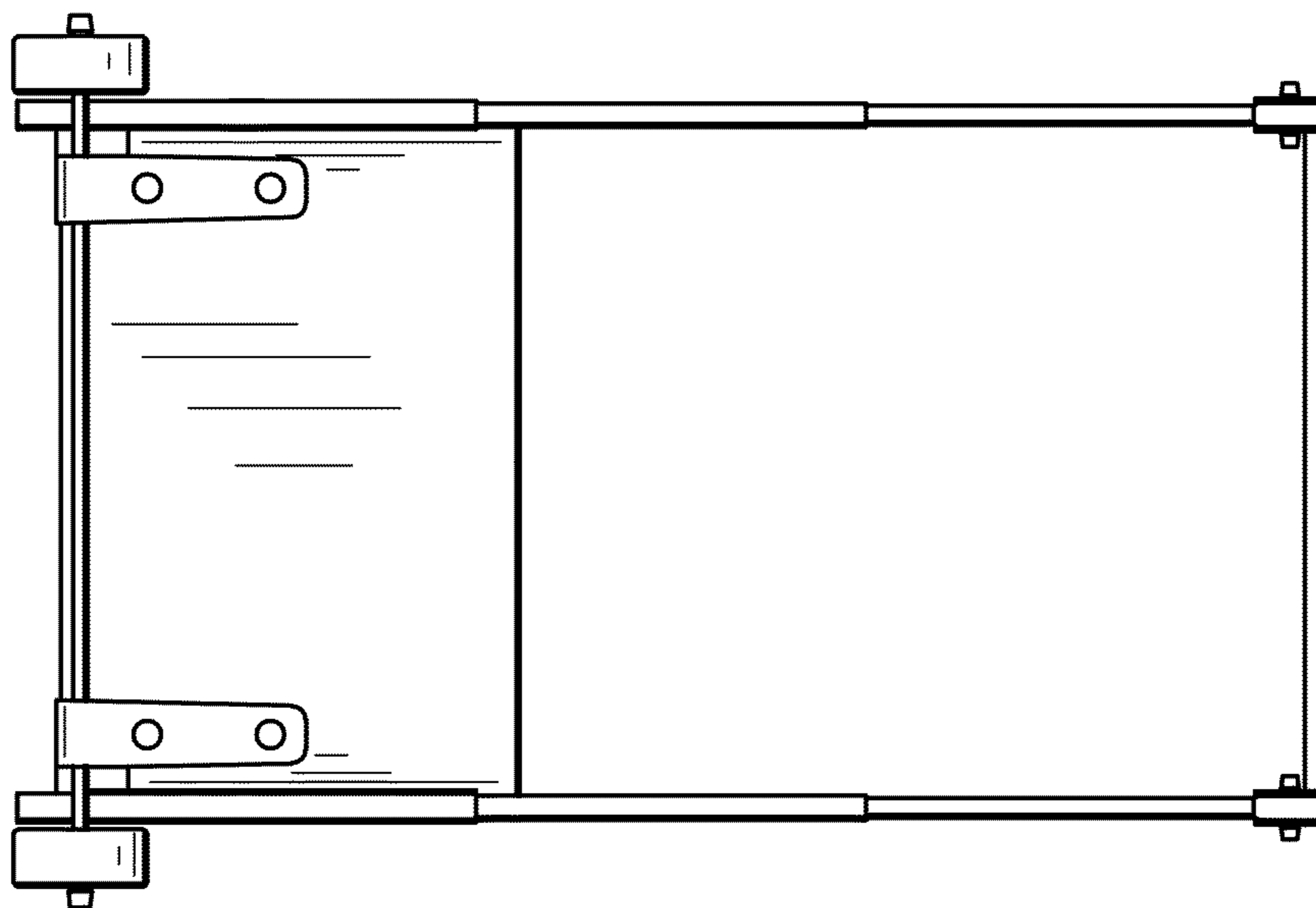


Fig. 6

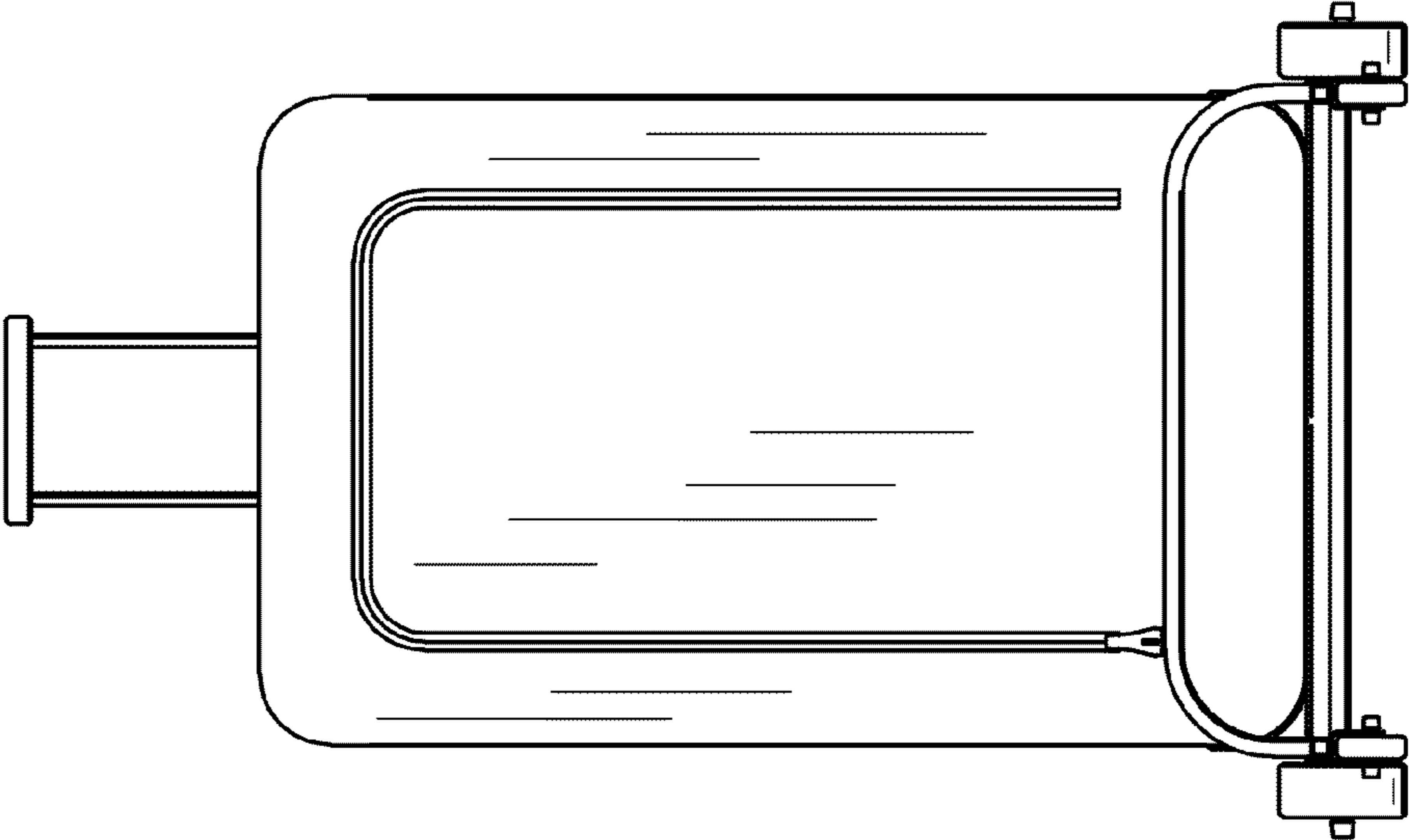


Fig. 5

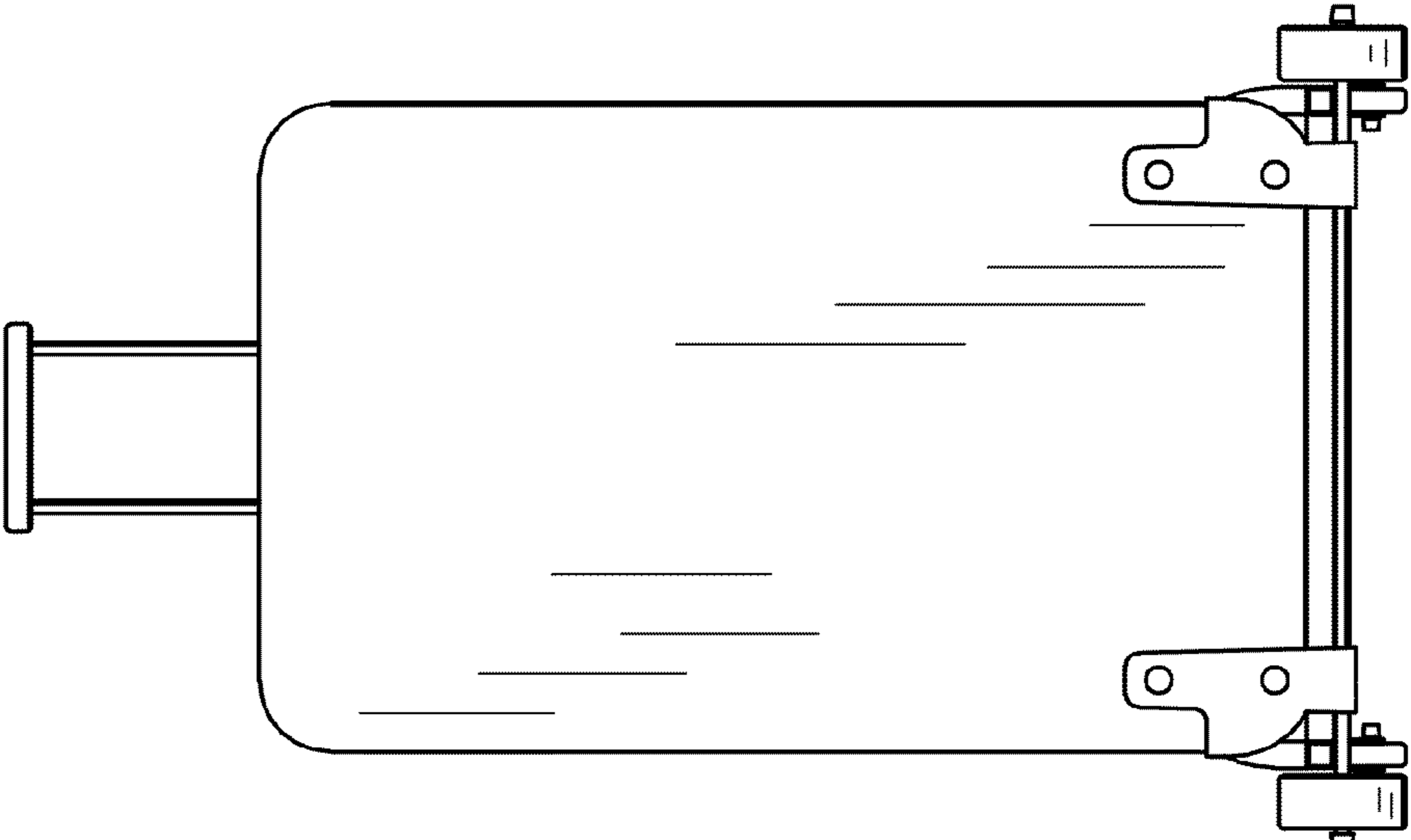


Fig. 7

