



US00D742637S

(12) **United States Design Patent**  
**Miles**

(10) **Patent No.:** **US D742,637 S**

(45) **Date of Patent:** **\*\* Nov. 10, 2015**

(54) **COMBINED SUITCASE AND SHOE CARRIER**

(71) Applicant: **Therese Anita Miles**, Jacksonville, FL  
(US)

(72) Inventor: **Therese Anita Miles**, Jacksonville, FL  
(US)

(73) Assignee: **Therese A. Miles**, Jacksonville, FL  
(US)

(\*\*) Term: **14 Years**

(21) Appl. No.: **29/474,386**

(22) Filed: **Sep. 2, 2014**

(51) **LOC (10) Cl.** ..... **01-03**

(52) **U.S. Cl.**  
USPC ..... **D3/274; D3/285; D3/289; D3/295;**  
**D3/301; D3/279**

(58) **Field of Classification Search**  
USPC ..... **D3/272, 273, 276, 278, 279, 281, 283,**  
**D3/284, 285, 289, 294, 295, 298, 301, 302,**  
**D3/902**  
CPC ..... **A45C 2003/008; A45C 5/00; A45C 5/03;**  
**A45C 2005/032; A45C 2005/035; A45C**  
**2005/037; A45C 5/06; A45C 5/14; A45C**  
**13/1084; A45C 13/385; A45C 3/12**  
See application file for complete search history.

(56) **References Cited**

**U.S. PATENT DOCUMENTS**

4,699,267 A \* 10/1987 Burke ..... 206/278  
5,240,106 A \* 8/1993 Plath ..... 206/316.2  
D414,932 S \* 10/1999 Platte, III ..... D3/276  
D427,768 S \* 7/2000 Bogert ..... D3/279  
D439,409 S \* 3/2001 Williams ..... D3/283

D507,876 S \* 8/2005 Fadely ..... D3/279  
D512,564 S \* 12/2005 Teitloff et al. .... D3/258  
D552,349 S \* 10/2007 Greiner ..... D3/279  
7,692,107 B1 \* 4/2010 Shotey et al. .... 177/131  
D622,060 S \* 8/2010 Scicluna et al. .... D3/279  
D625,517 S \* 10/2010 Rossi et al. .... D3/272  
D679,090 S \* 4/2013 Du ..... D3/279  
D683,539 S \* 6/2013 Jobert ..... D3/279  
D688,456 S \* 8/2013 Hare ..... D3/279  
D700,434 S \* 3/2014 Blitz ..... D3/279  
D720,534 S \* 1/2015 Chehebar ..... D3/279  
2006/0137949 A1 \* 6/2006 Levinson et al. .... 190/18 A

\* cited by examiner

*Primary Examiner* — Jennifer Rivard  
*Assistant Examiner* — April Rivas

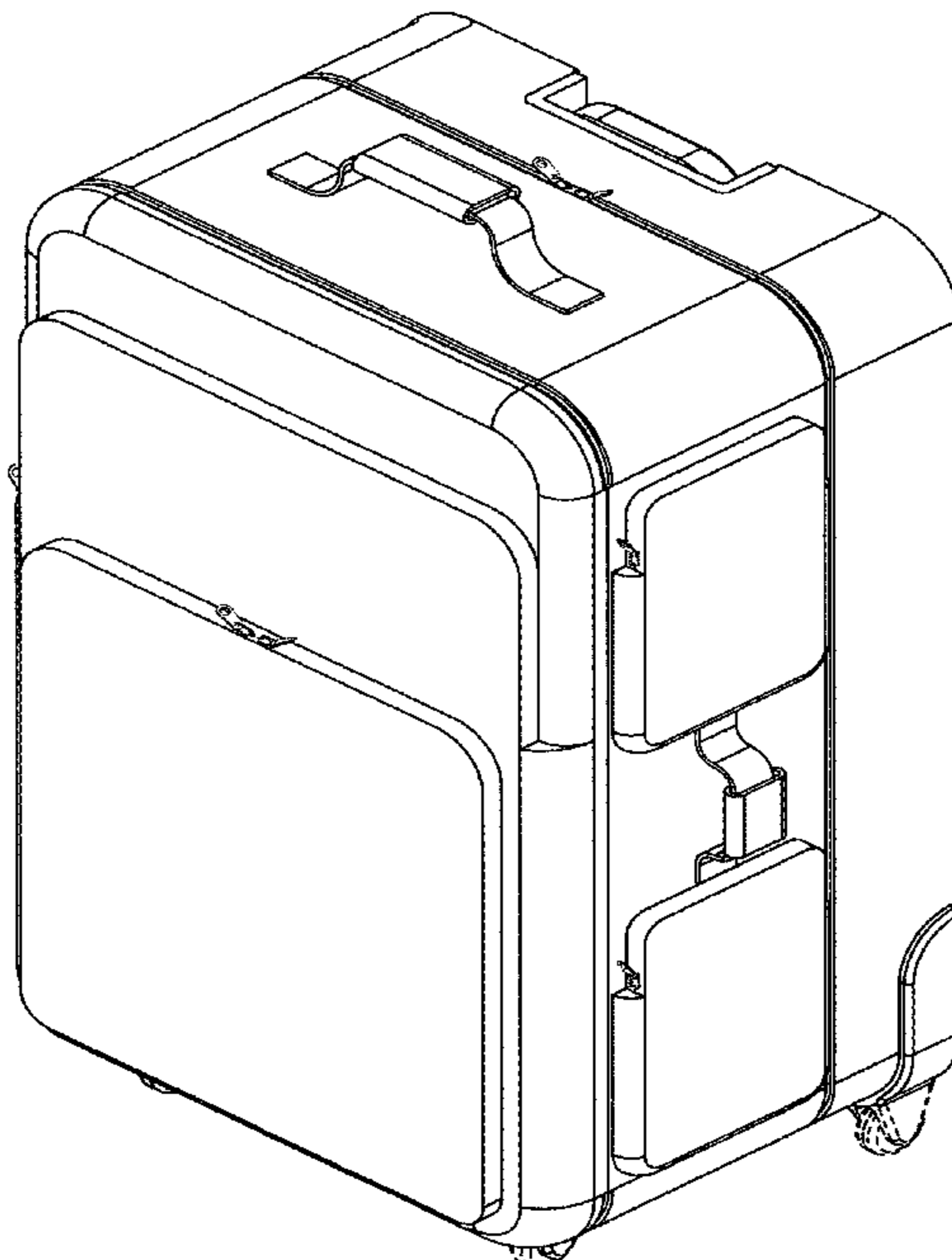
(57) **CLAIM**

The ornamental design for a combined suitcase and shoe carrier, as shown and described.

**DESCRIPTION**

FIG. 1 is a front view of a combined suitcase and shoe carrier showing my new design;  
FIG. 2 is a right side view thereof;  
FIG. 3 is the top view thereof;  
FIG. 4 is a front view of a combined suitcase and shoe carrier shown in a front open configuration;  
FIG. 5 is a right perspective view of a combined suitcase and shoe carrier in a closed configuration;  
FIG. 6 is a left perspective view of a combined suitcase and shoe carrier in a front open configuration; and,  
FIG. 7 is a right side and rear perspective view of a combined suitcase and shoe carrier in a rear open configuration.  
The broken lines illustrate portions of the combined suitcase and shoe carrier and form no part of the claimed design.

**1 Claim, 7 Drawing Sheets**



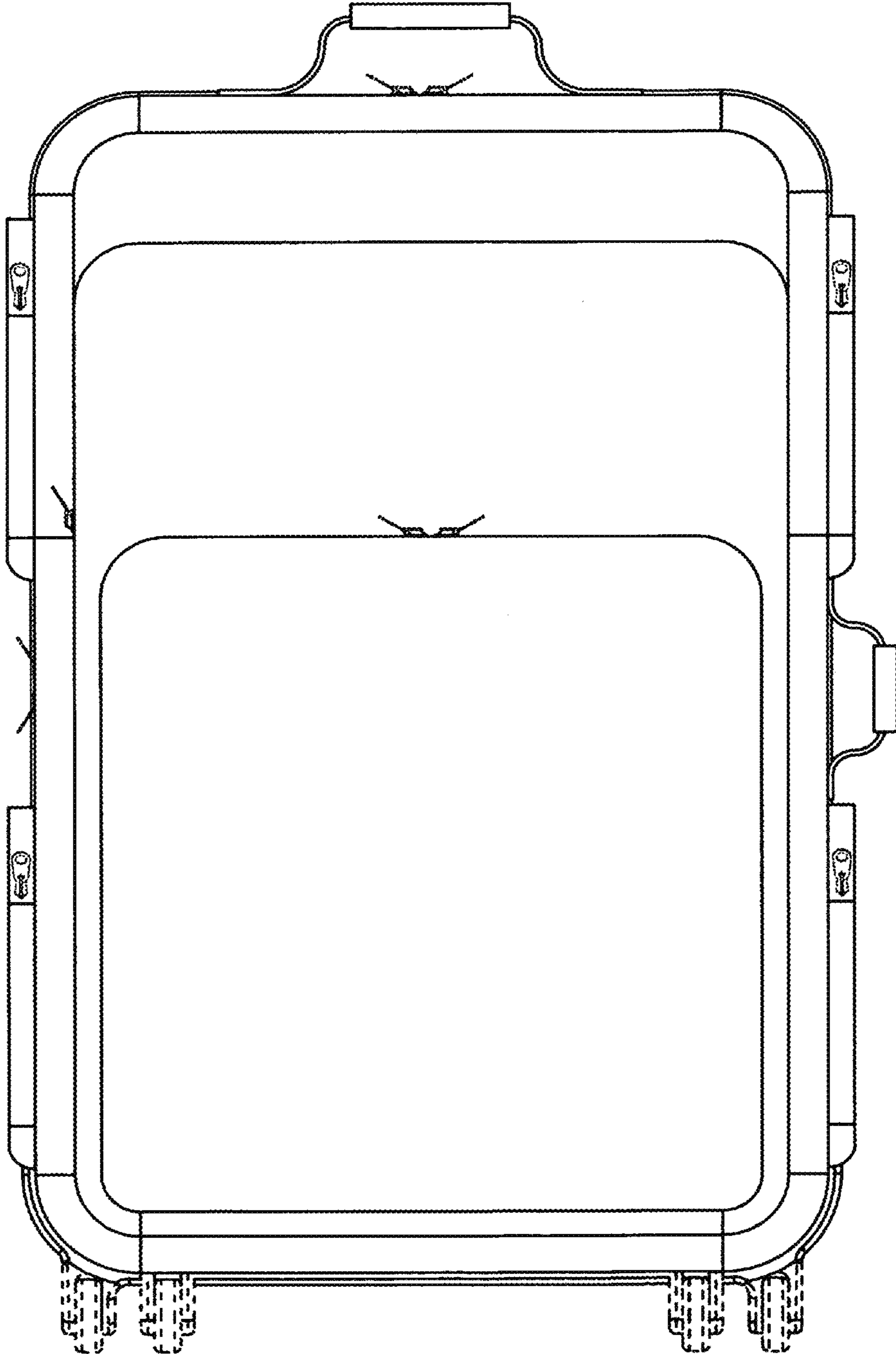


FIG 1

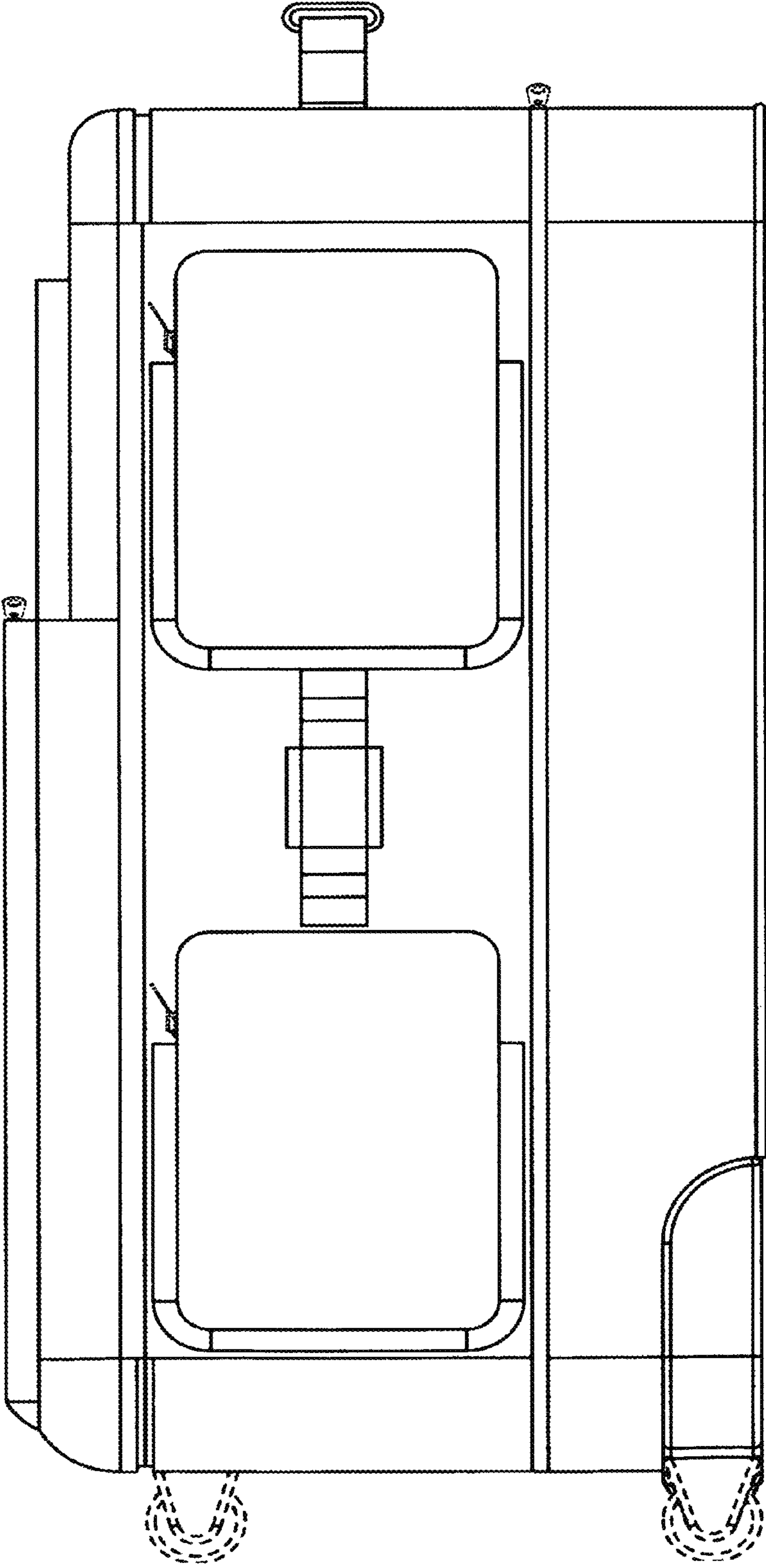


FIG 2

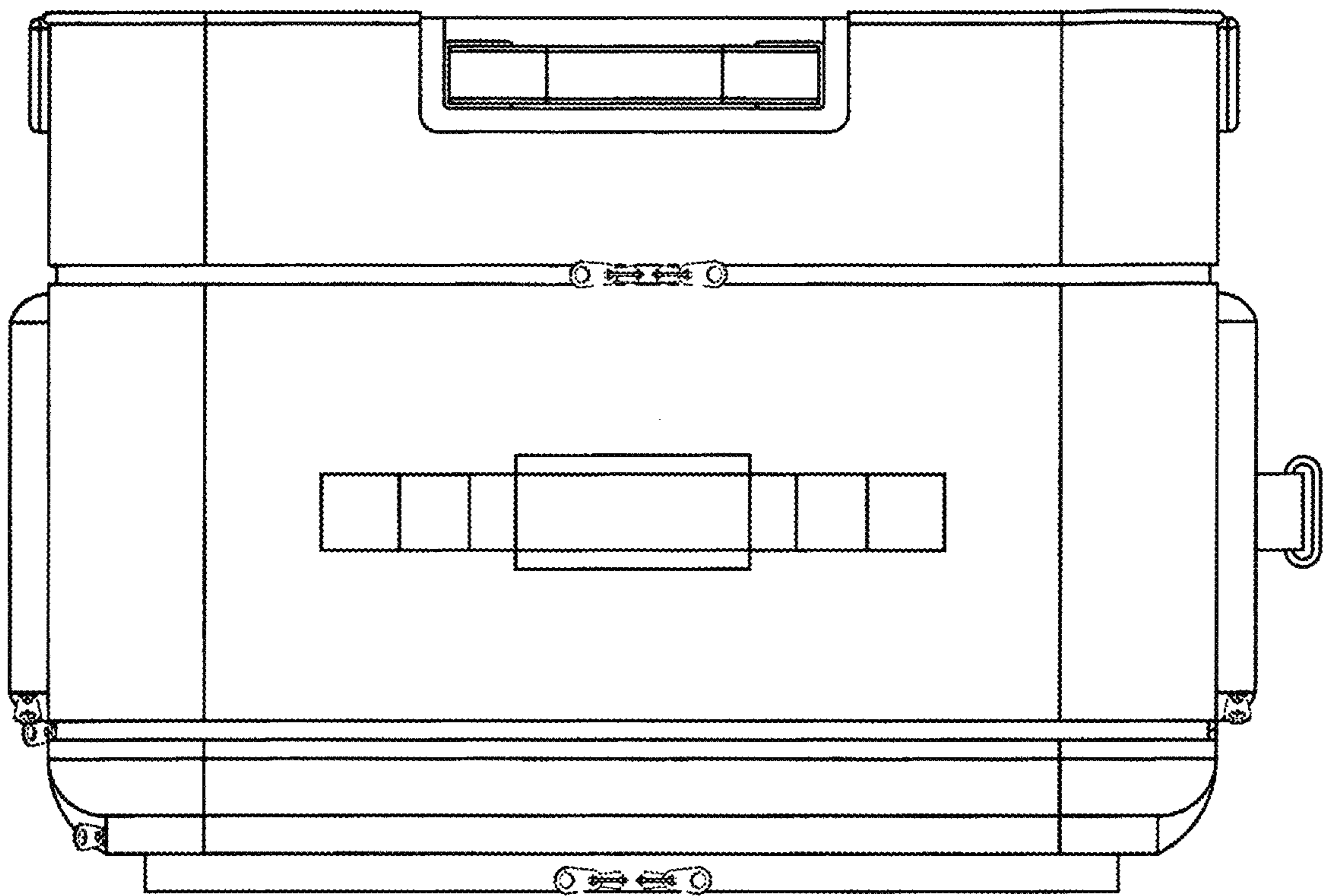


FIG 3

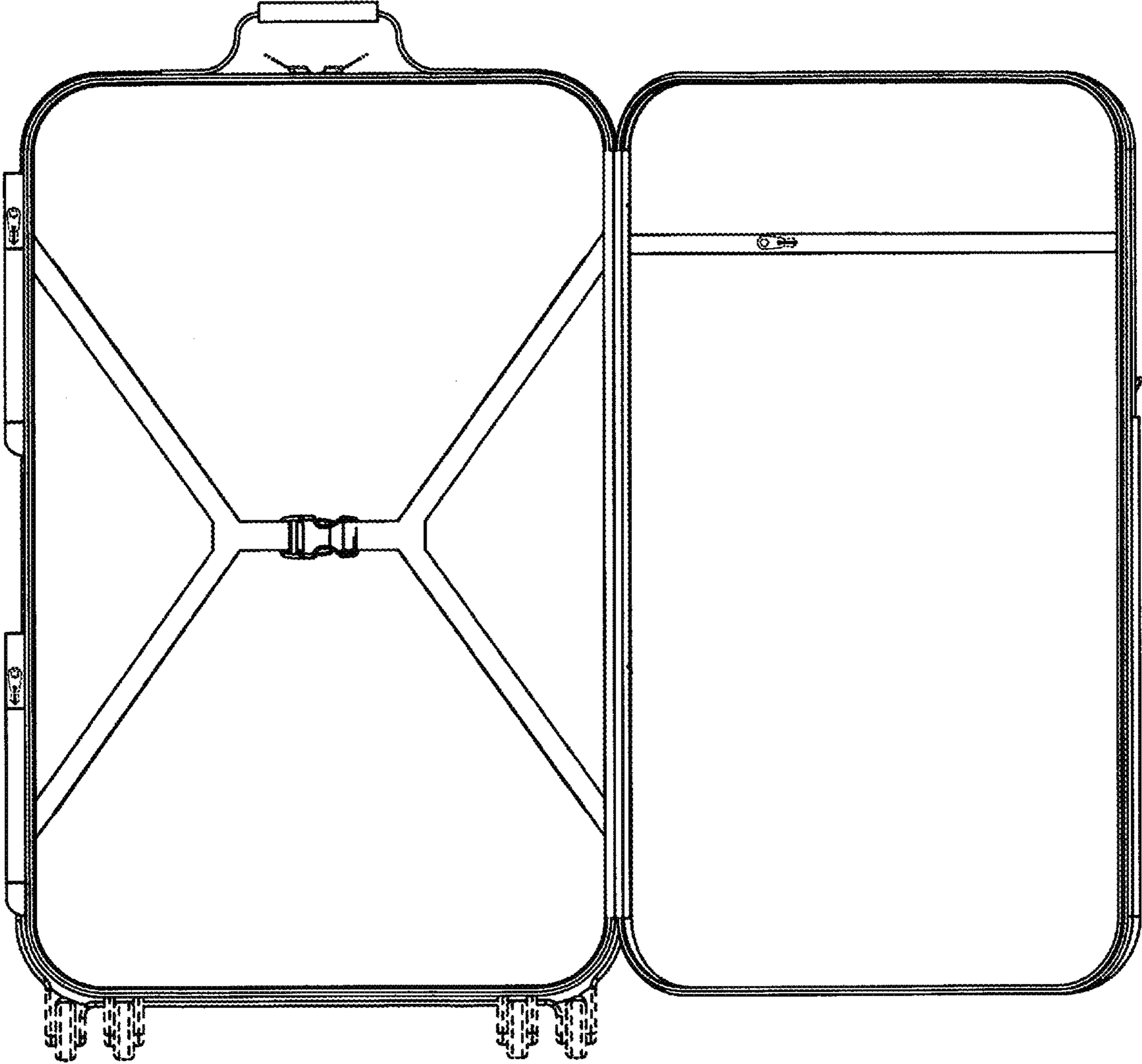


FIG 4

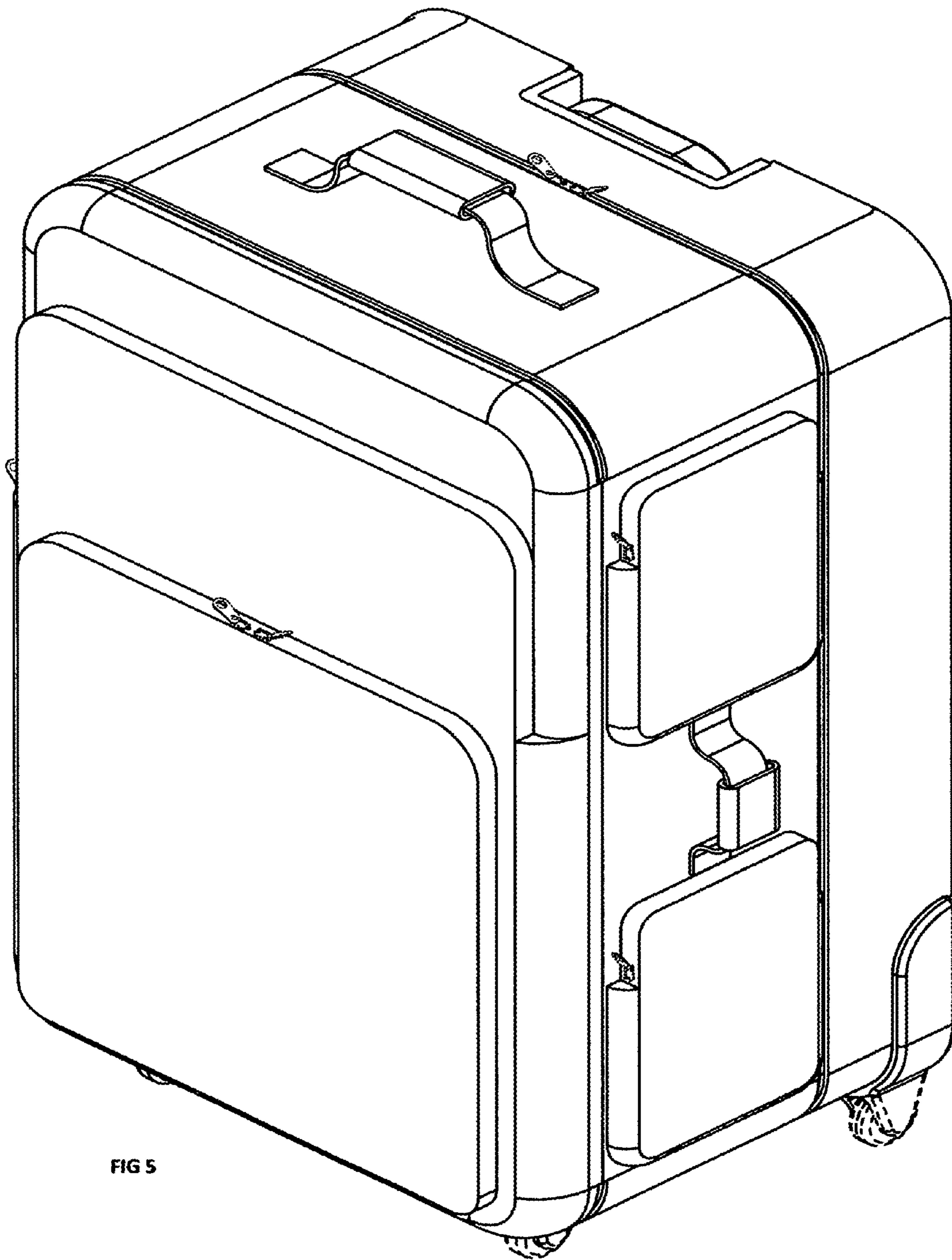


FIG 5

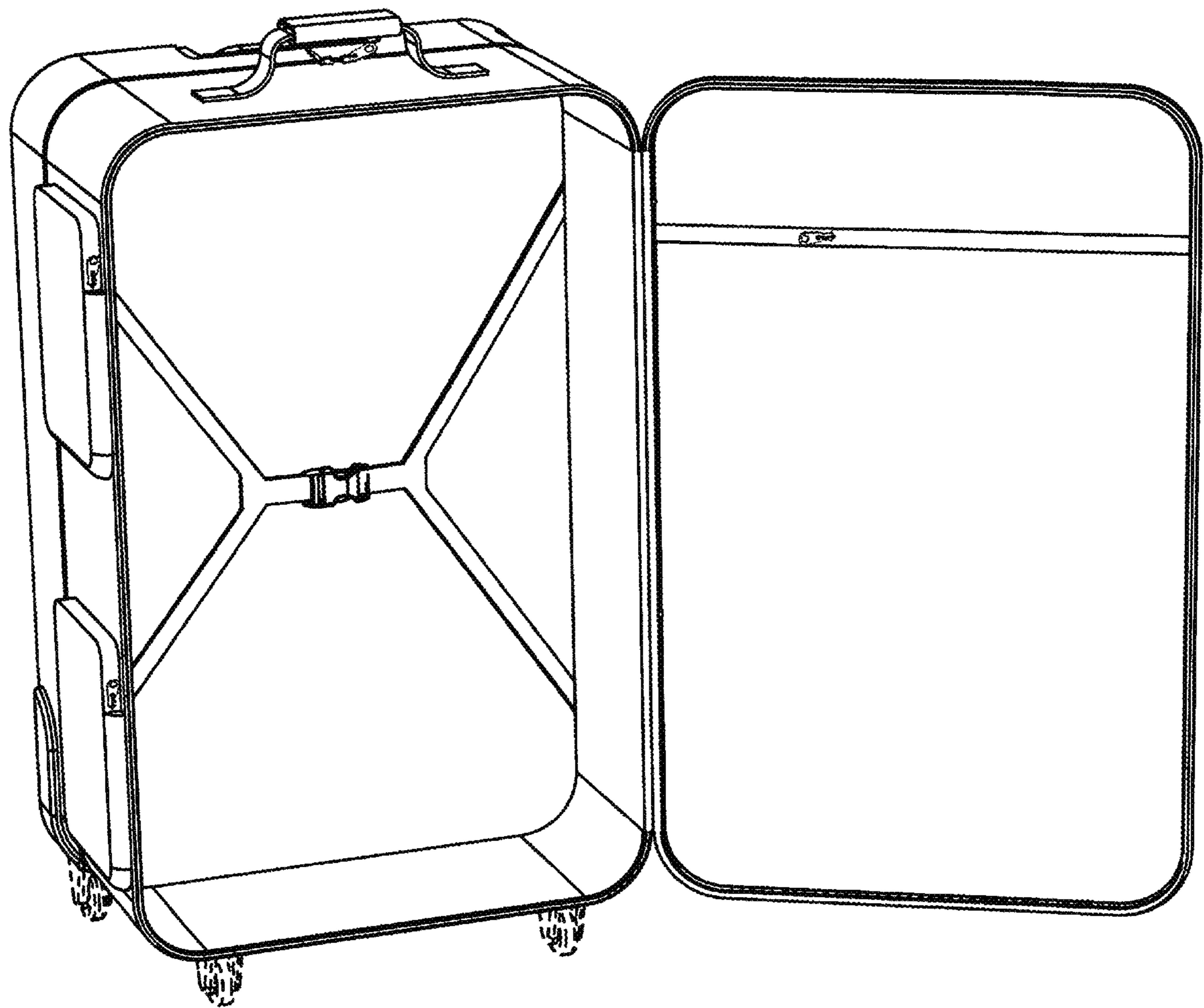


FIG 6

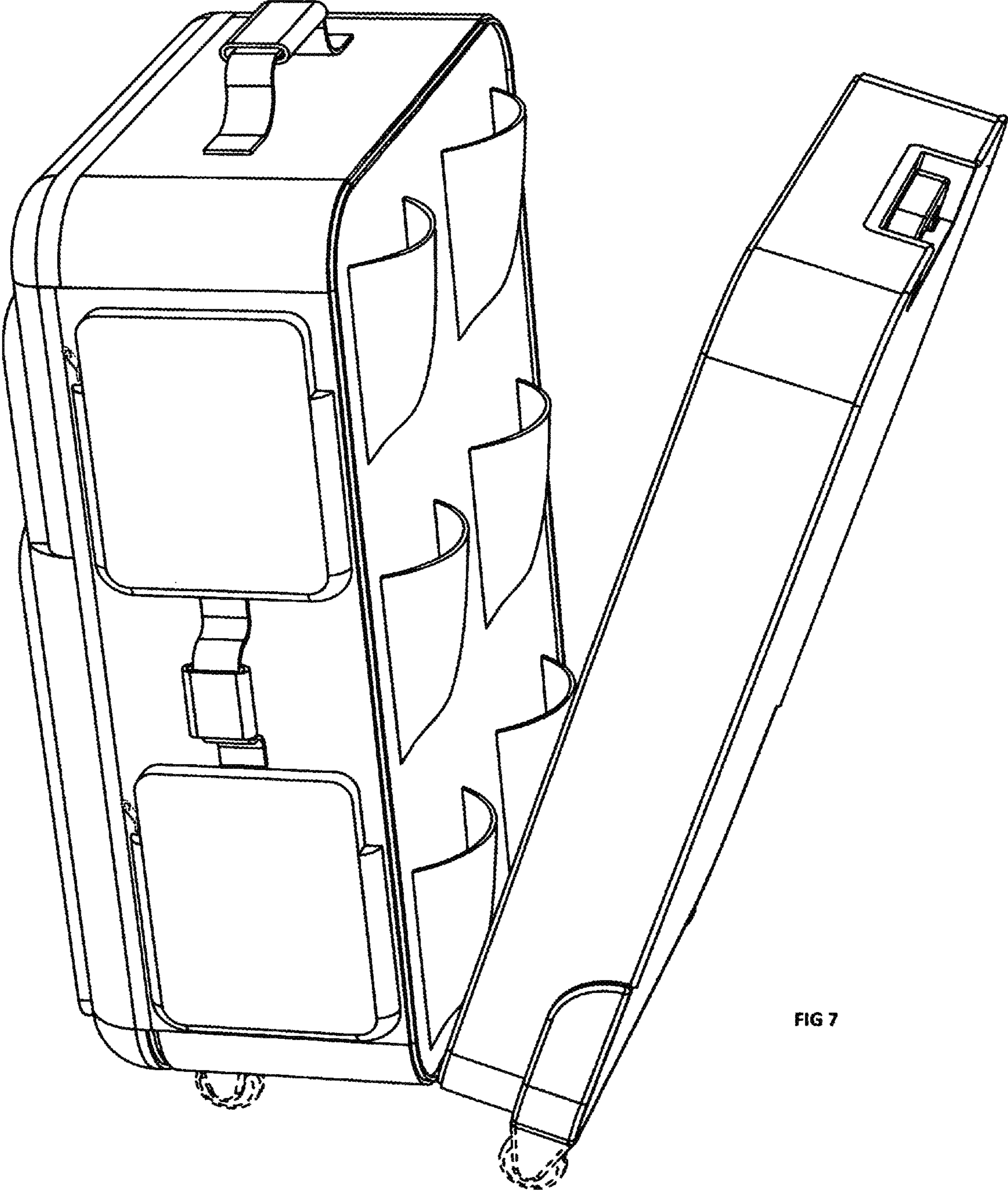


FIG 7