

US00D742636S

(12) **United States Design Patent**
Maier

(10) **Patent No.:** **US D742,636 S**
(45) **Date of Patent:** **** Nov. 10, 2015**

(54) **HANDBAG**

(71) Applicant: **Bottega Veneta SA**, Cadempino (CH)

(72) Inventor: **Tomas Maier**, Delray Beach, FL (US)

(73) Assignee: **BOTTEGA VENETA SA**, Cadempino (CH)

(**) Term: **14 Years**

(21) Appl. No.: **29/488,800**

(22) Filed: **Apr. 23, 2014**

(30) **Foreign Application Priority Data**

Nov. 8, 2013 (WO) DM/082 158

(51) **LOC (10) Cl.** **03-01**

(52) **U.S. Cl.**
USPC **D3/243**

(58) **Field of Classification Search**
USPC D3/232-233, 240-243, 245-246
CPC A45C 1/024; A45C 3/08
See application file for complete search history.

(56) **References Cited**

U.S. PATENT DOCUMENTS

D594,652 S *	6/2009	Guyon et al.	D3/243
D609,005 S *	2/2010	Dolce et al.	D3/245
D626,332 S *	11/2010	Guyon et al.	D3/245
D675,444 S *	2/2013	Holloway et al.	D3/318
D696,860 S *	1/2014	Guyon et al.	D3/243
D696,862 S *	1/2014	Guyon et al.	D3/245
D728,925 S *	5/2015	Von Furstenberg	D3/243

* cited by examiner

Primary Examiner — Holly Baynham

(74) *Attorney, Agent, or Firm* — Lucas & Mercanti, LLP

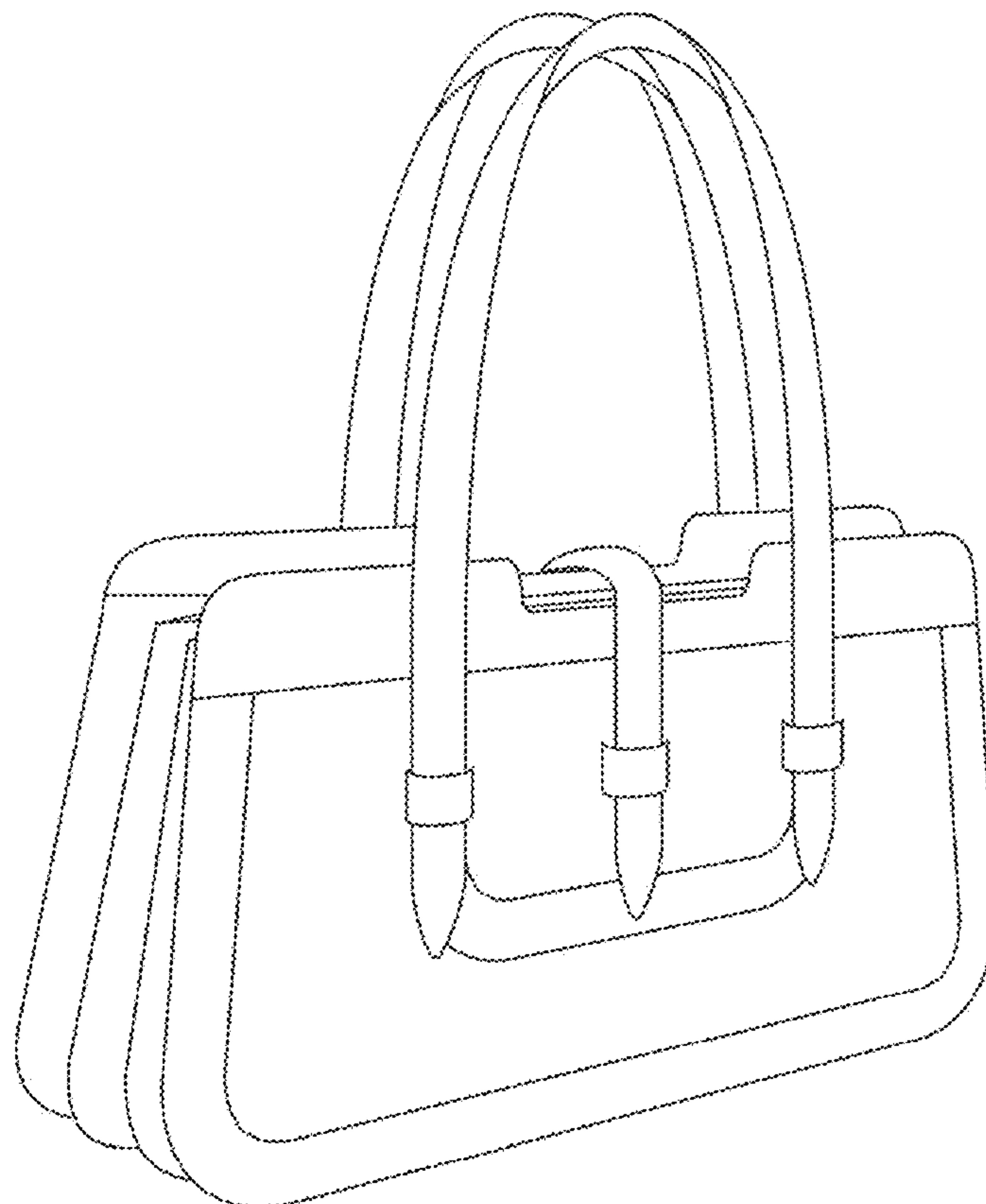
(57) **CLAIM**

The ornamental design for a handbag, as shown and described.

DESCRIPTION

FIG. 1 is a perspective view of the handbag;
FIG. 2 is a front view of the handbag;
FIG. 3 is a rear view of the handbag;
FIG. 4 and FIG. 5 are side views of the handbag;
FIG. 6 is a top view of the handbag; and,
FIG. 7 is a bottom view of the handbag.

1 Claim, 7 Drawing Sheets



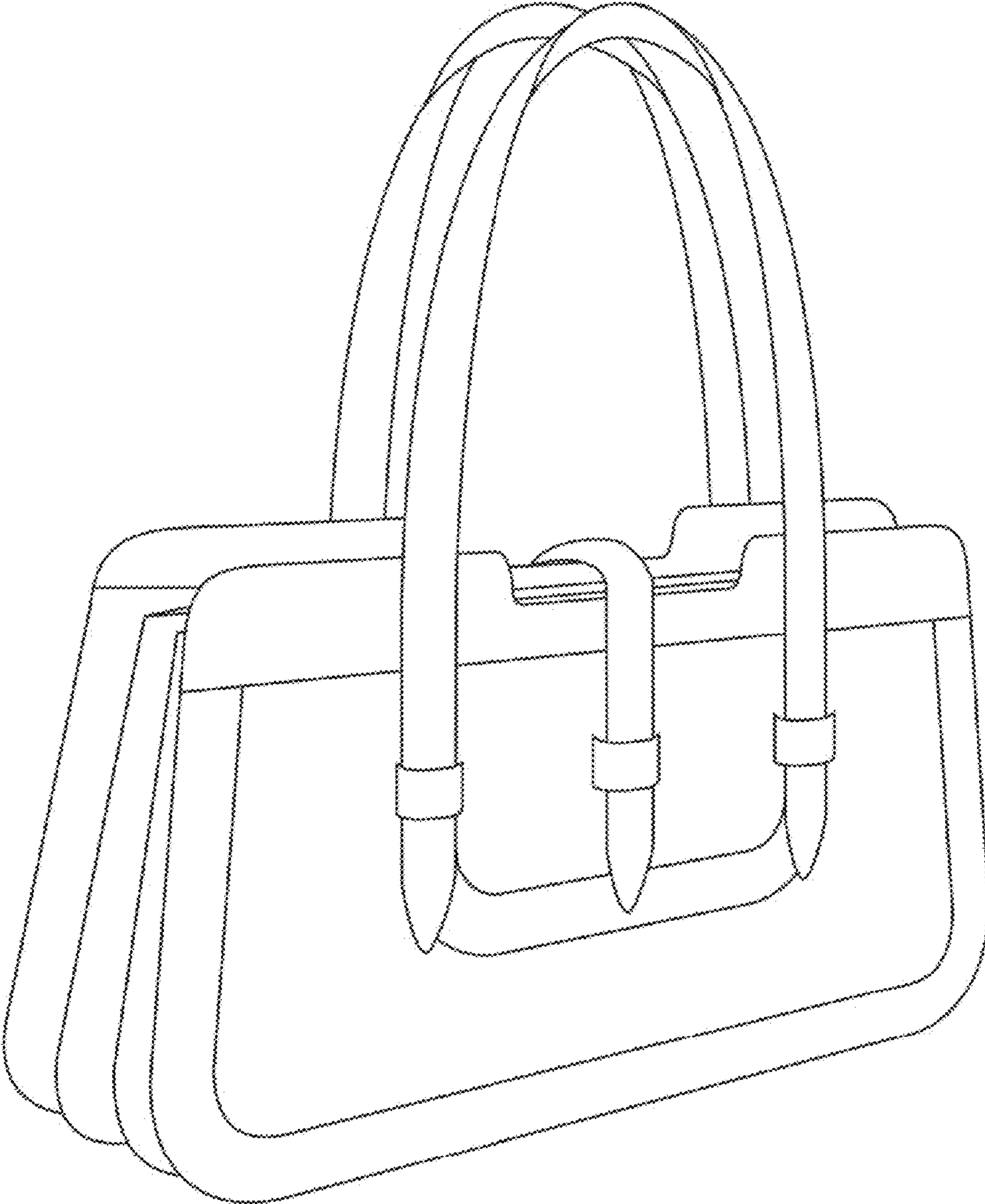


FIG. 1

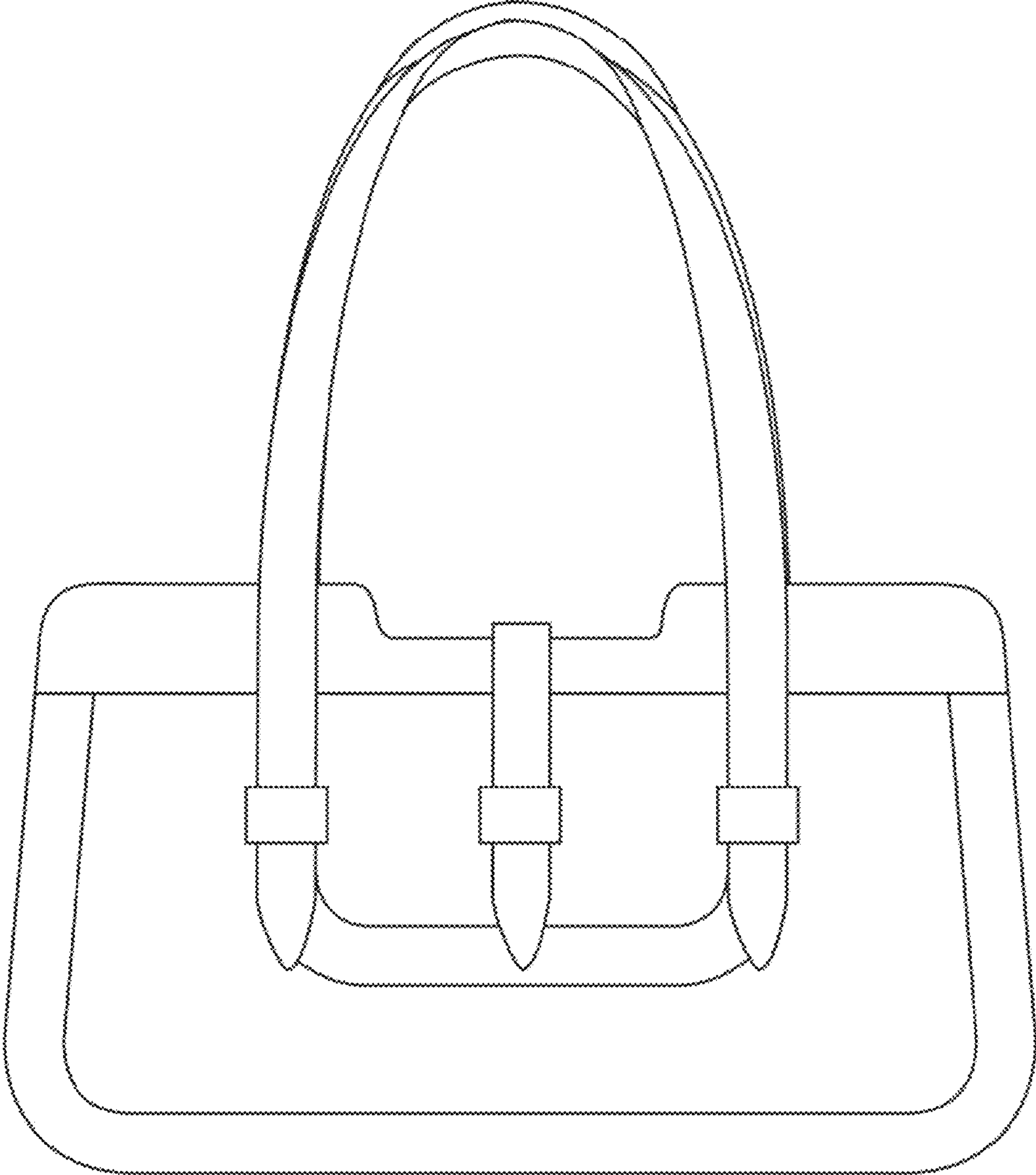


FIG. 2

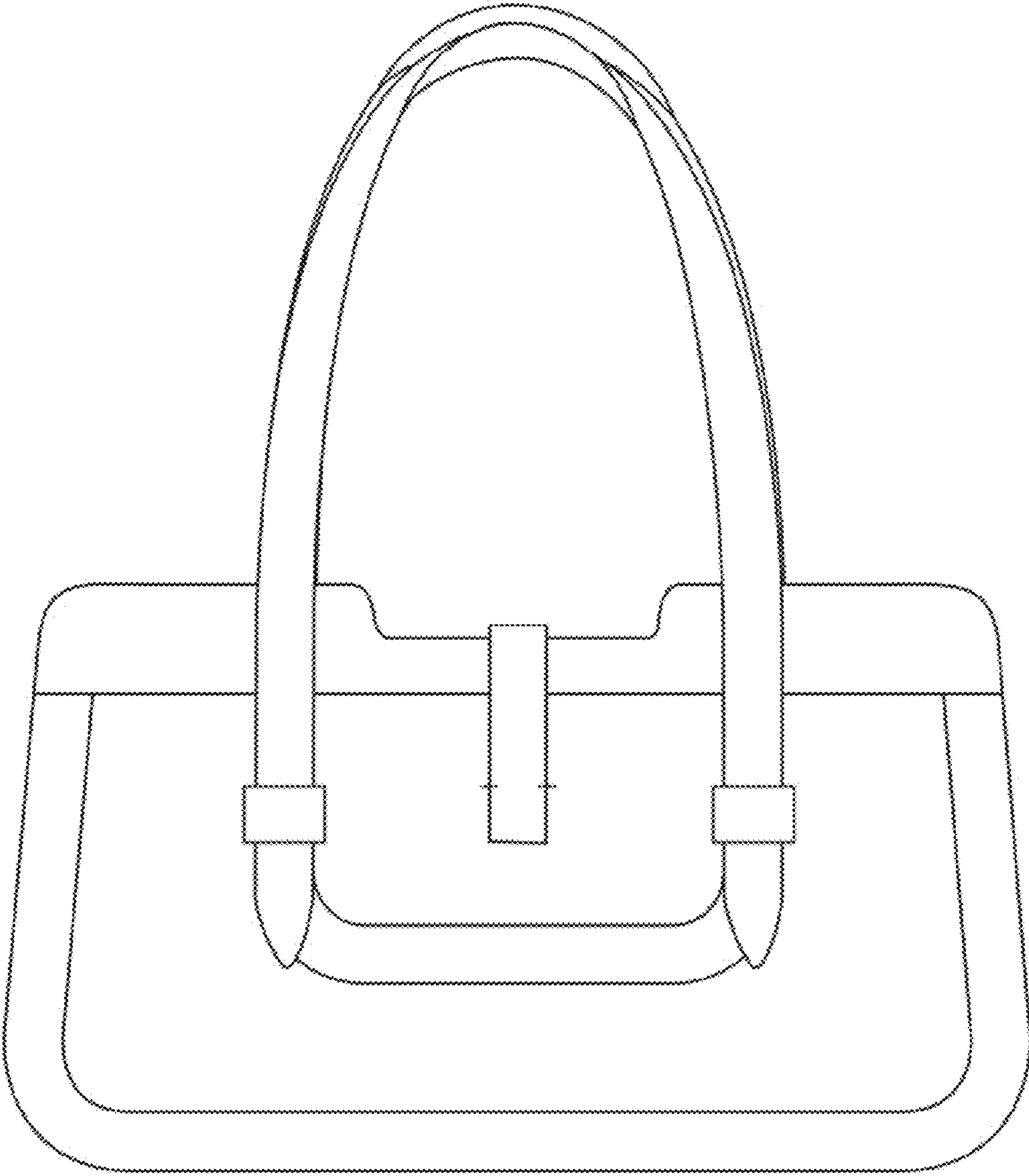


FIG. 3

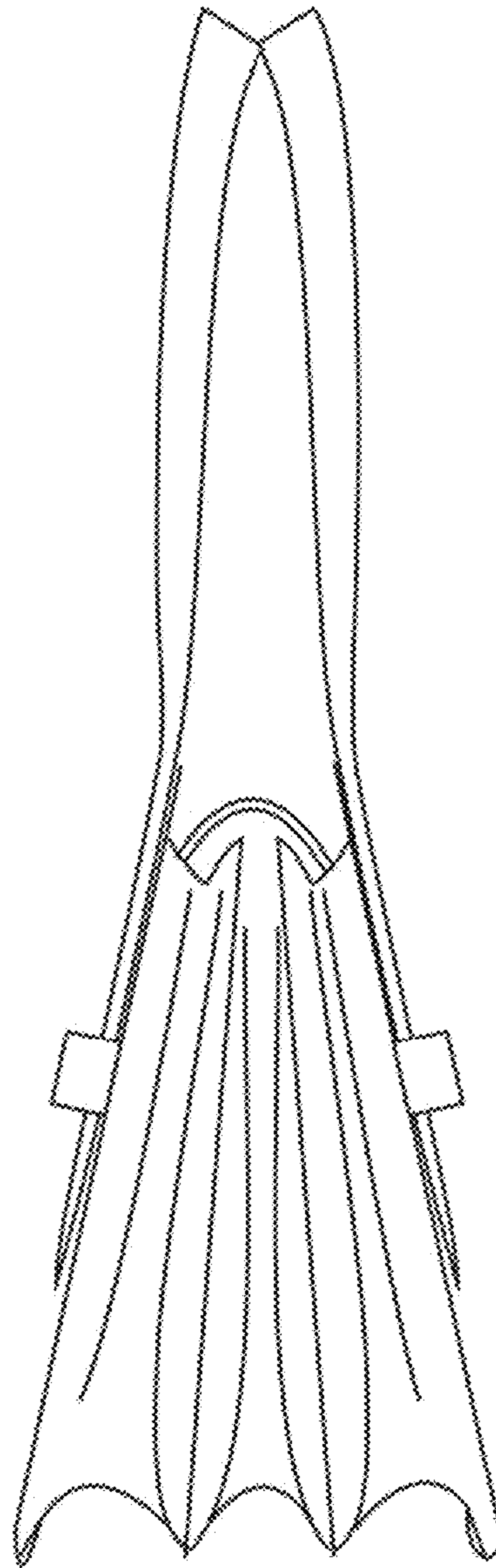


FIG. 4

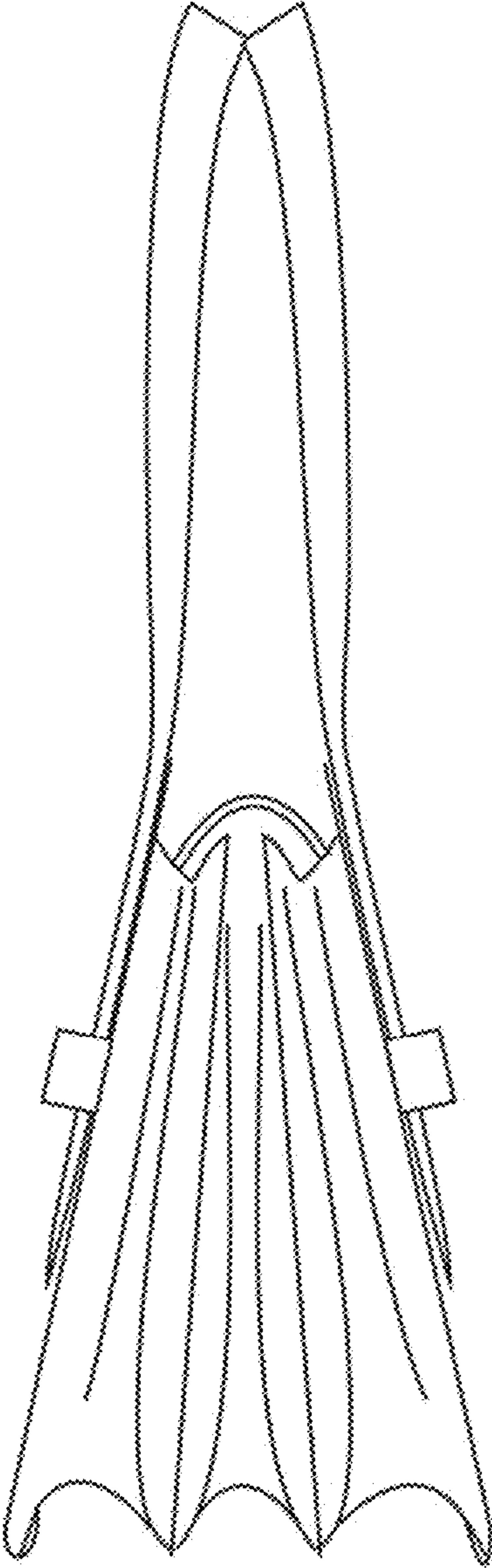


FIG. 5

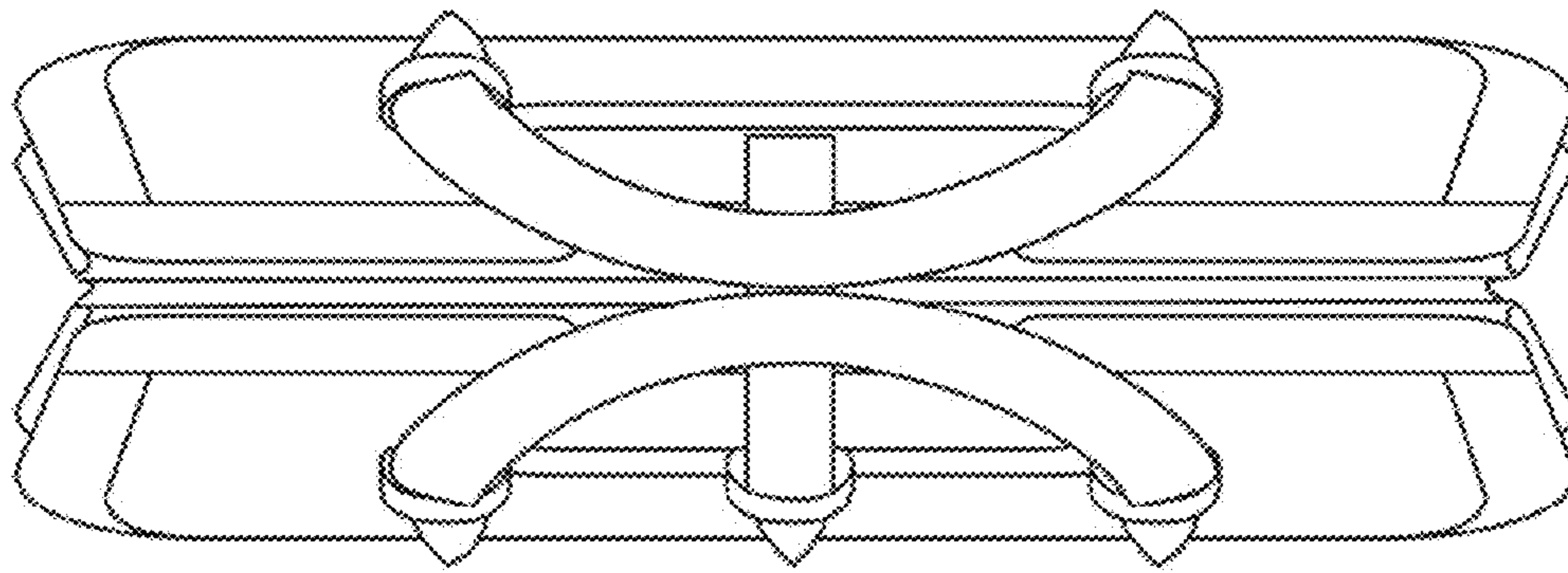


FIG. 6

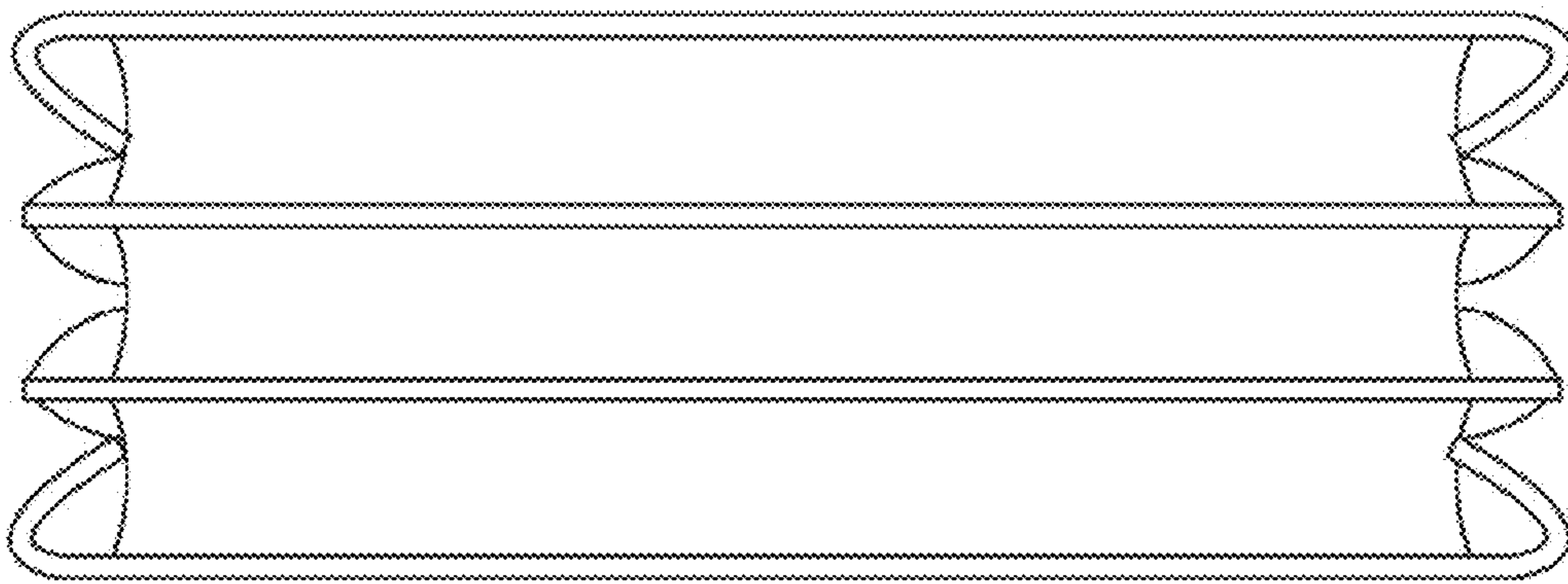


FIG. 7