



US00D742635S

(12) **United States Design Patent**
Coleman

(10) **Patent No.:** **US D742,635 S**

(45) **Date of Patent:** **** *Nov. 10, 2015**

- (54) **WATER RESISTANT POUCH**
- (71) Applicant: **Debbie Coleman**, Irvine, CA (US)
- (72) Inventor: **Debbie Coleman**, Irvine, CA (US)
- (73) Assignee: **SKITS, LLC**, Santa Ana, CA (US)
- (*) Notice: This patent is subject to a terminal disclaimer.
- (**) Term: **14 Years**
- (21) Appl. No.: **29/488,687**
- (22) Filed: **Apr. 22, 2014**
- (51) **LOC (10) Cl.** **03-01**
- (52) **U.S. Cl.**
USPC **D3/232**
- (58) **Field of Classification Search**
USPC D3/232–233, 240–243, 245–246, 303;
D9/707
CPC A45C 1/024; A45C 3/08; A45C 3/06;
A45C 11/18; A45C 11/182; A44B 19/16
See application file for complete search history.

D710,106 S *	8/2014	Coleman	D3/303
D711,106 S *	8/2014	Davidson	D3/303
D713,644 S *	9/2014	Johnson et al.	D3/303
D719,732 S *	12/2014	Hyzdu	D3/303
2001/0043762 A1	11/2001	Cappel et al.	
2002/0090489 A1	7/2002	Dobreski et al.	
2003/0002753 A1	1/2003	Stolmeier et al.	
2003/0118758 A1	6/2003	Chen et al.	
2003/0185466 A1	10/2003	Edelman et al.	
2004/0047524 A1	3/2004	Stolmeier et al.	
2005/0025392 A1	2/2005	Stolmeier	
2005/0280181 A1	12/2005	Turvey et al.	
2007/0292052 A1	12/2007	Hui et al.	
2007/0294885 A1	12/2007	Patel et al.	
2009/0265898 A1	10/2009	Ackerman et al.	

* cited by examiner

Primary Examiner — Holly Baynham

(74) *Attorney, Agent, or Firm* — Chandra E. Eidt; Miller Nash Graham & Dunn LLP

(57) **CLAIM**

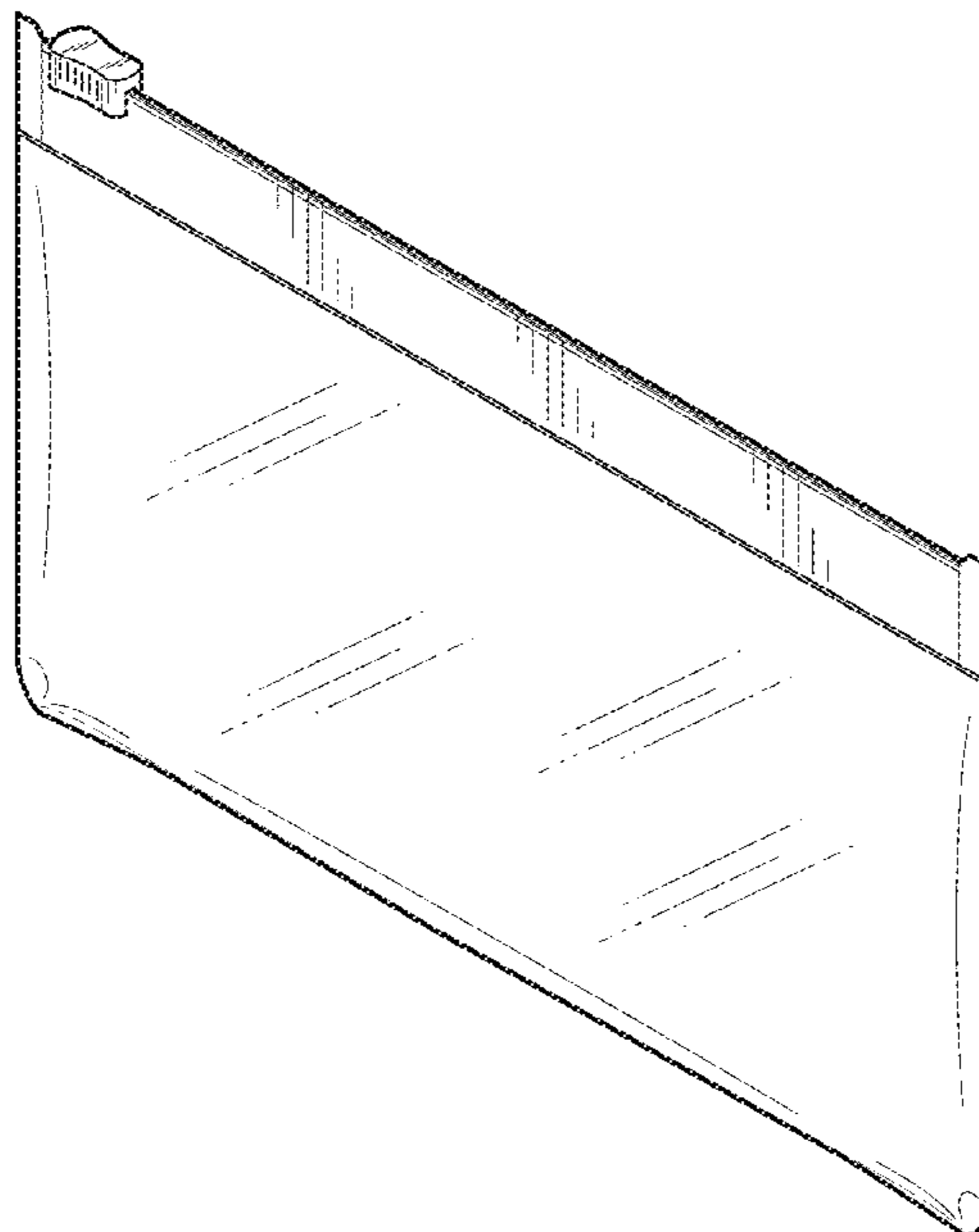
The ornamental design for a water resistant pouch, as shown and described.

DESCRIPTION

FIG. 1 illustrates a front perspective view of the new design for a water resistant pouch;
 FIG. 2 illustrates a rear perspective view thereof;
 FIG. 3 illustrates a front view thereof;
 FIG. 4 illustrates a rear view thereof;
 FIG. 5 illustrates a right side view thereof;
 FIG. 6 illustrates a left side view thereof;
 FIG. 7 illustrates a top view thereof;
 FIG. 8 illustrates a bottom view thereof; and,
 FIG. 9 illustrates a front view thereof wherein the top of the pouch is open.

1 Claim, 6 Drawing Sheets

- (56) **References Cited**
U.S. PATENT DOCUMENTS
- 5,871,281 A 2/1999 Stolmeier et al.
- 5,956,815 A 9/1999 O'Connor et al.
- 6,257,763 B1 7/2001 Stolmeier et al.
- D451,378 S 12/2001 Kinigakis et al.
- D483,181 S * 12/2003 Evans D3/318
- D600,918 S * 9/2009 Carlevale D3/318
- D615,759 S * 5/2010 Evans D3/318
- D702,043 S * 4/2014 Johnson et al. D3/247
- D710,105 S * 8/2014 Hondos D3/303



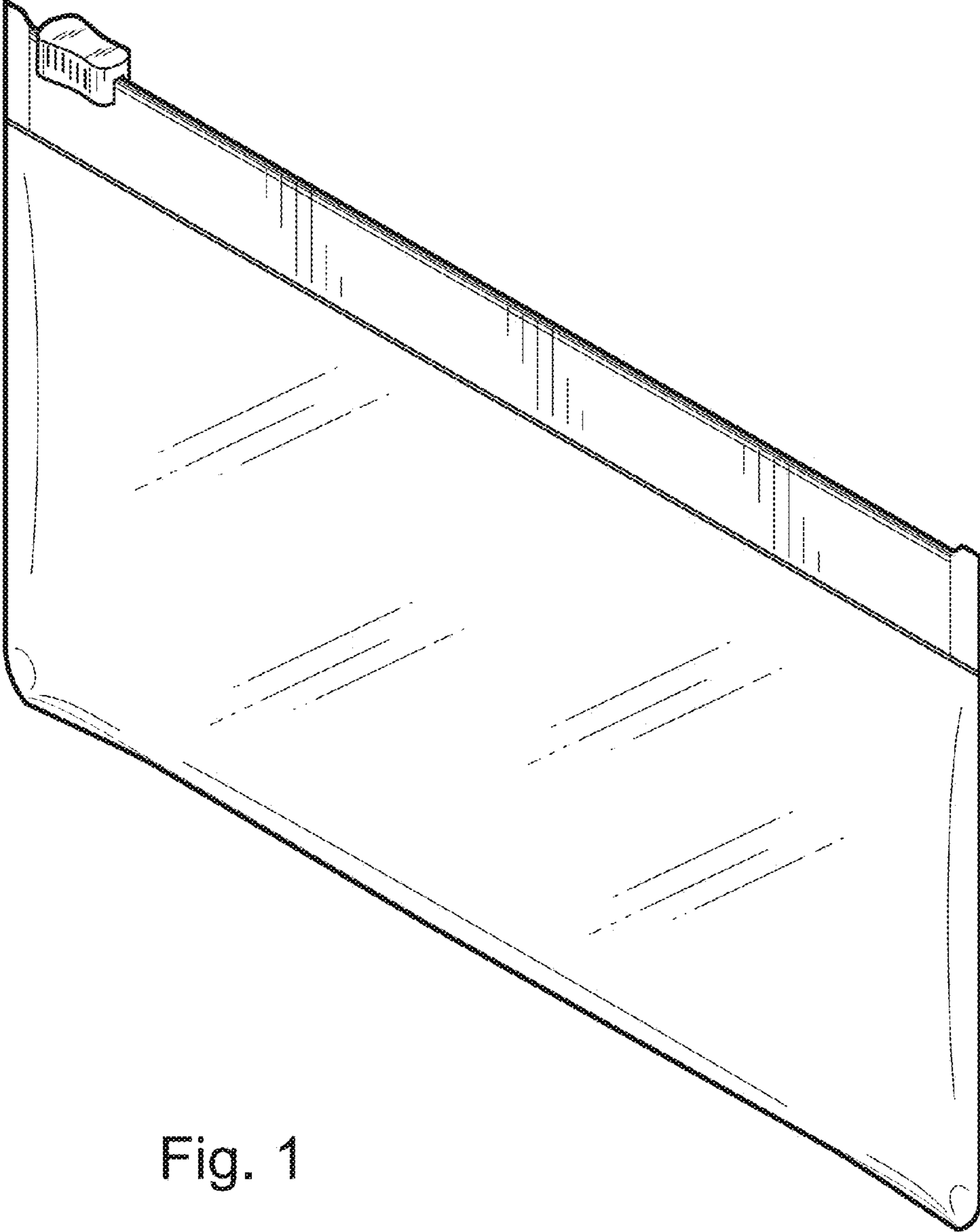


Fig. 1

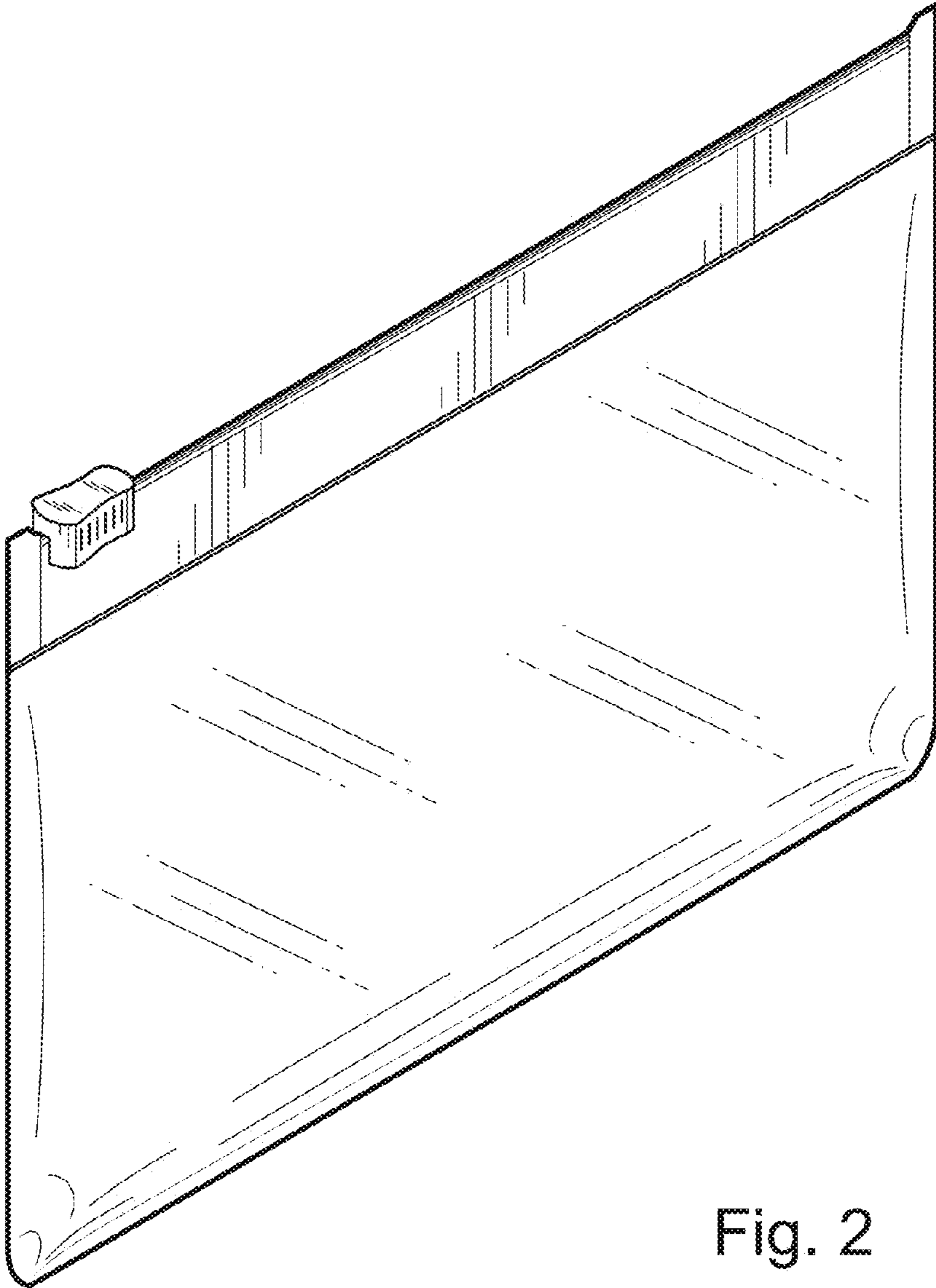


Fig. 2

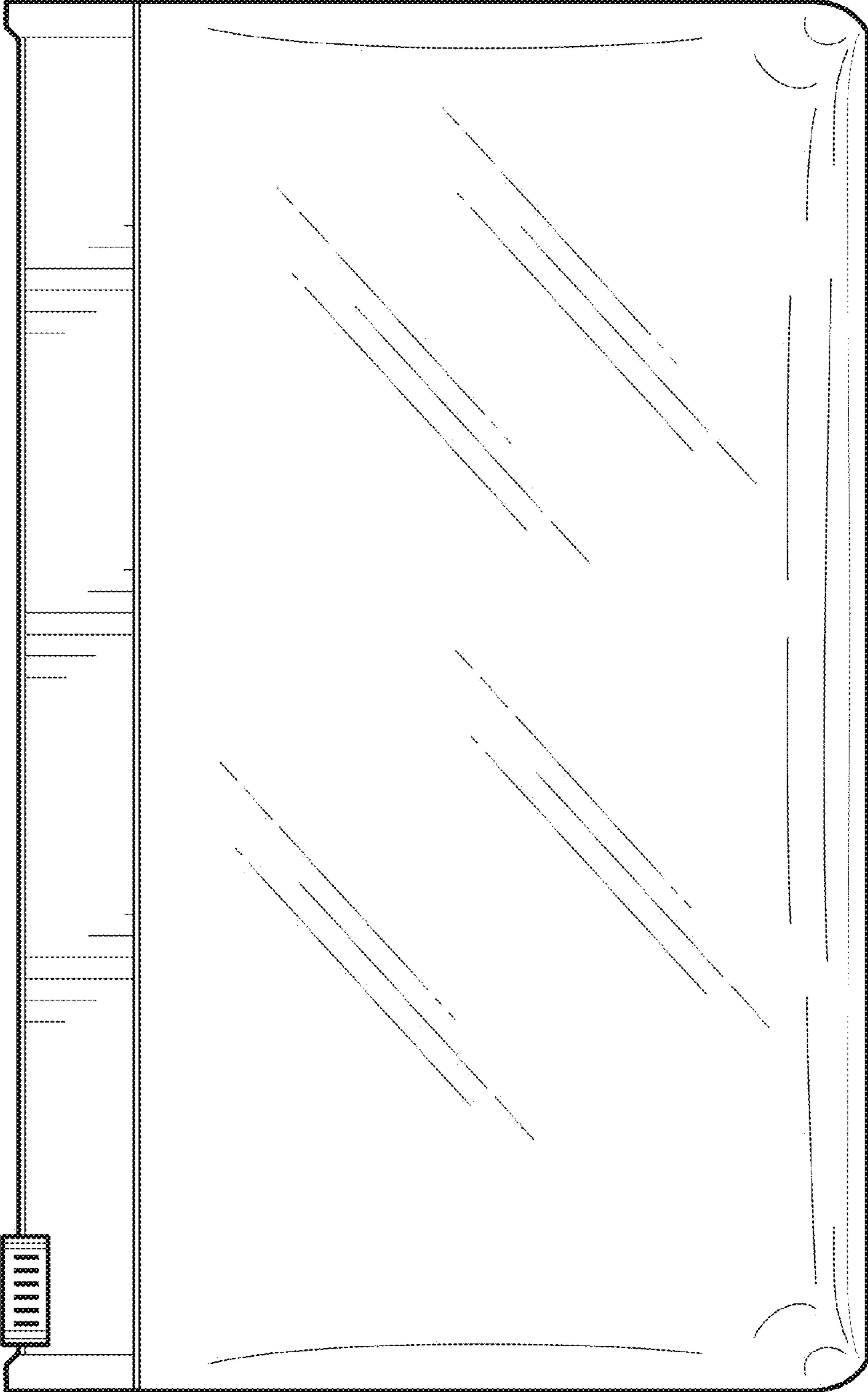


Fig. 3

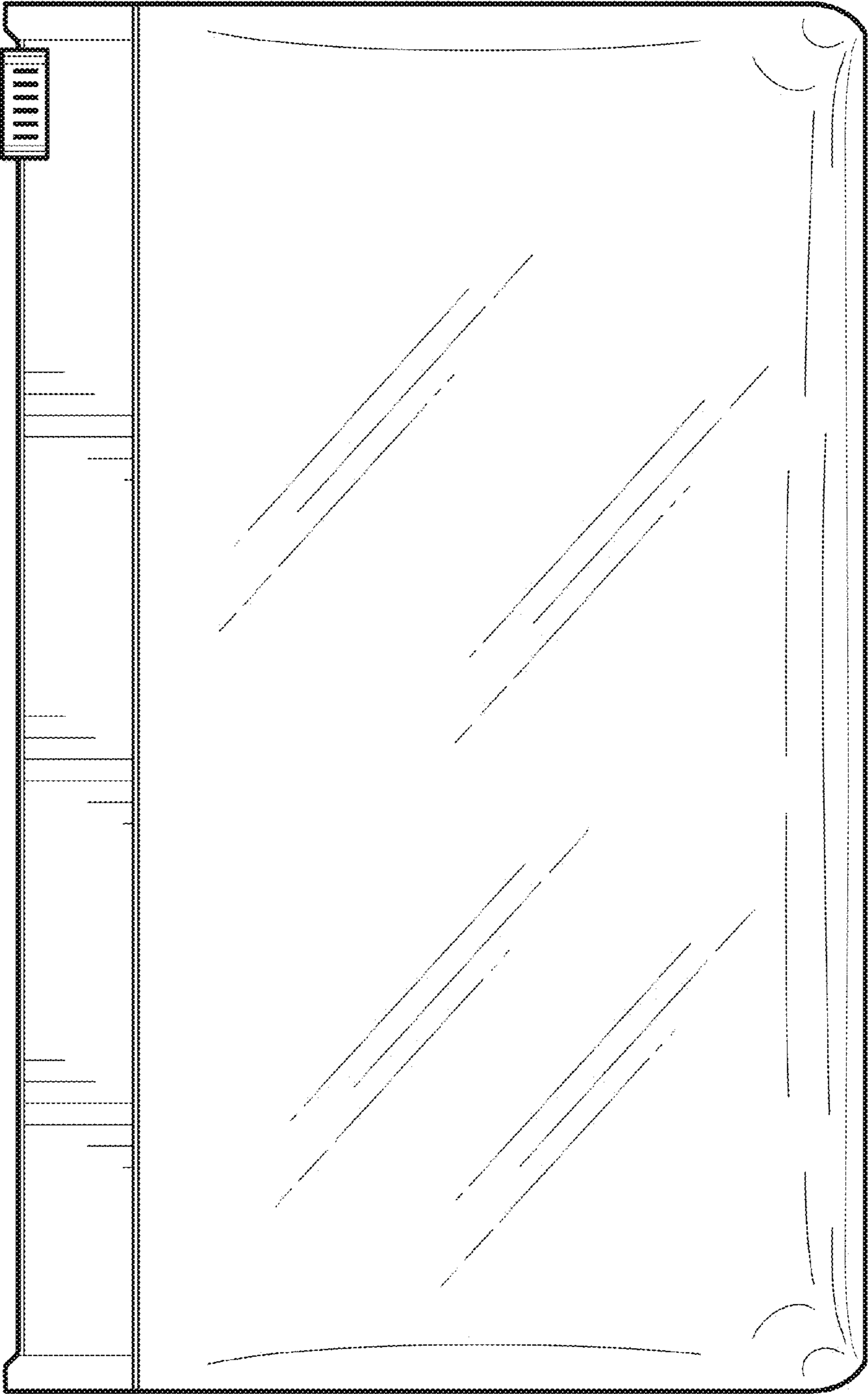


Fig. 4

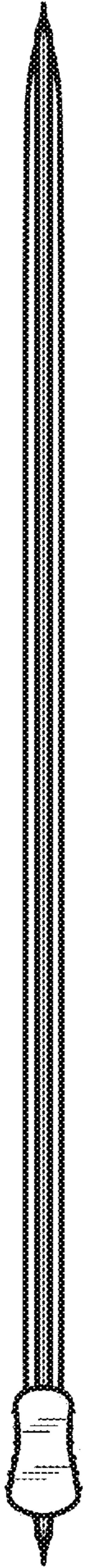


Fig. 5



Fig. 6

Fig. 7

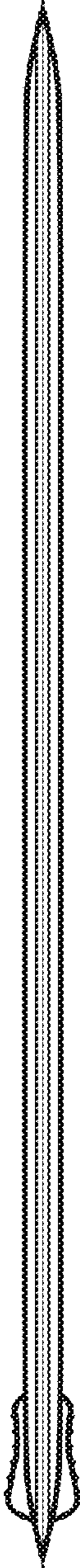


Fig. 8

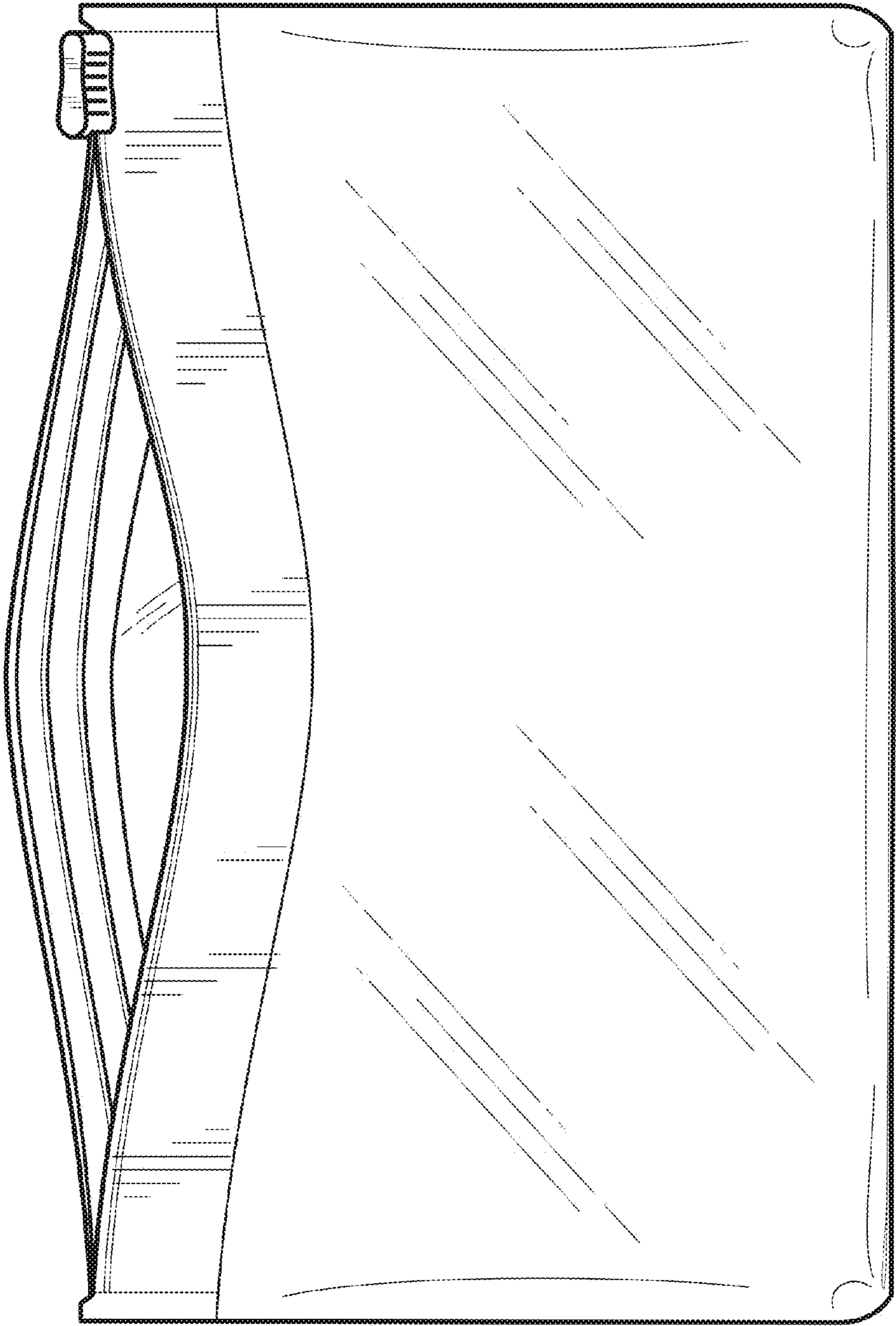


Fig. 9