



US00D742634S

(12) **United States Design Patent**
Zwetzig

(10) **Patent No.:** **US D742,634 S**

(45) **Date of Patent:** **** Nov. 10, 2015**

(54) **SHOULDER BAG**

(71) Applicant: **Thule Organization Solutions, Inc.**,
Niwot, CO (US)

(72) Inventor: **Nathan Roger Zwetzig**, Westminster,
CO (US)

(73) Assignee: **Thule Organization Solutions, Inc.**,
Niwot, CO (US)

(**) Term: **14 Years**

(21) Appl. No.: **29/485,572**

(22) Filed: **Mar. 20, 2014**

(51) **LOC (10) Cl.** **03-01**

(52) **U.S. Cl.**
USPC **D3/232**

(58) **Field of Classification Search**
USPC D3/232-246
CPC A45C 3/06; A45C 1/024
See application file for complete search history.

D690,095 S 9/2013 Garcia et al.
D696,014 S 12/2013 Ng
D703,431 S * 4/2014 Taylor D3/243
2003/0234269 A1 12/2003 Shamas

OTHER PUBLICATIONS

Official Action for U.S. Appl. No. 29/485,080, mailed Sep. 18, 2014,
Zwetzig.

Notice of Allowance for U.S. Appl. No. 29/485,080, mailed Dec. 9,
2014, Zwetzig.

U.S. Appl. No. 29/485,080, filed Mar. 14, 2014, Zwetzig.

U.S. Appl. No. 29/488,008, filed Apr. 15, 2014, Zwetzig.

Notice of Allowance for U.S. Appl. No. 29/432,006 mailed Dec. 20,
2013, 10 pages, Taylor.

* cited by examiner

Primary Examiner — Holly Baynham

(74) *Attorney, Agent, or Firm* — Sheridan Ross P.C.

(57) **CLAIM**

The ornamental design for a shoulder bag, as shown and
described.

(56) **References Cited**

U.S. PATENT DOCUMENTS

D292,747 S 11/1987 Allen
D387,906 S * 12/1997 Petty D3/299
D486,031 S 2/2004 Hillman
D505,258 S 5/2005 Bird et al.
D530,089 S 10/2006 Silverman
D591,504 S 5/2009 Hermann
D624,312 S 9/2010 Chu et al.
D651,794 S 1/2012 Hargens et al.
D654,267 S 2/2012 Littleton
D655,082 S 3/2012 LaCorte
D657,140 S 4/2012 Guyon et al.
8,157,068 B2 4/2012 Sapyta
D681,338 S 5/2013 Holloway et al.
D683,956 S * 6/2013 Leung D3/243
D685,181 S * 7/2013 Burns D3/232

DESCRIPTION

FIG. 1 is a front perspective view of the shoulder bag;

FIG. 2 is a front elevation view thereof;

FIG. 3 is a rear elevation view thereof;

FIG. 4 is a right elevation view thereof;

FIG. 5 is a left elevation view thereof;

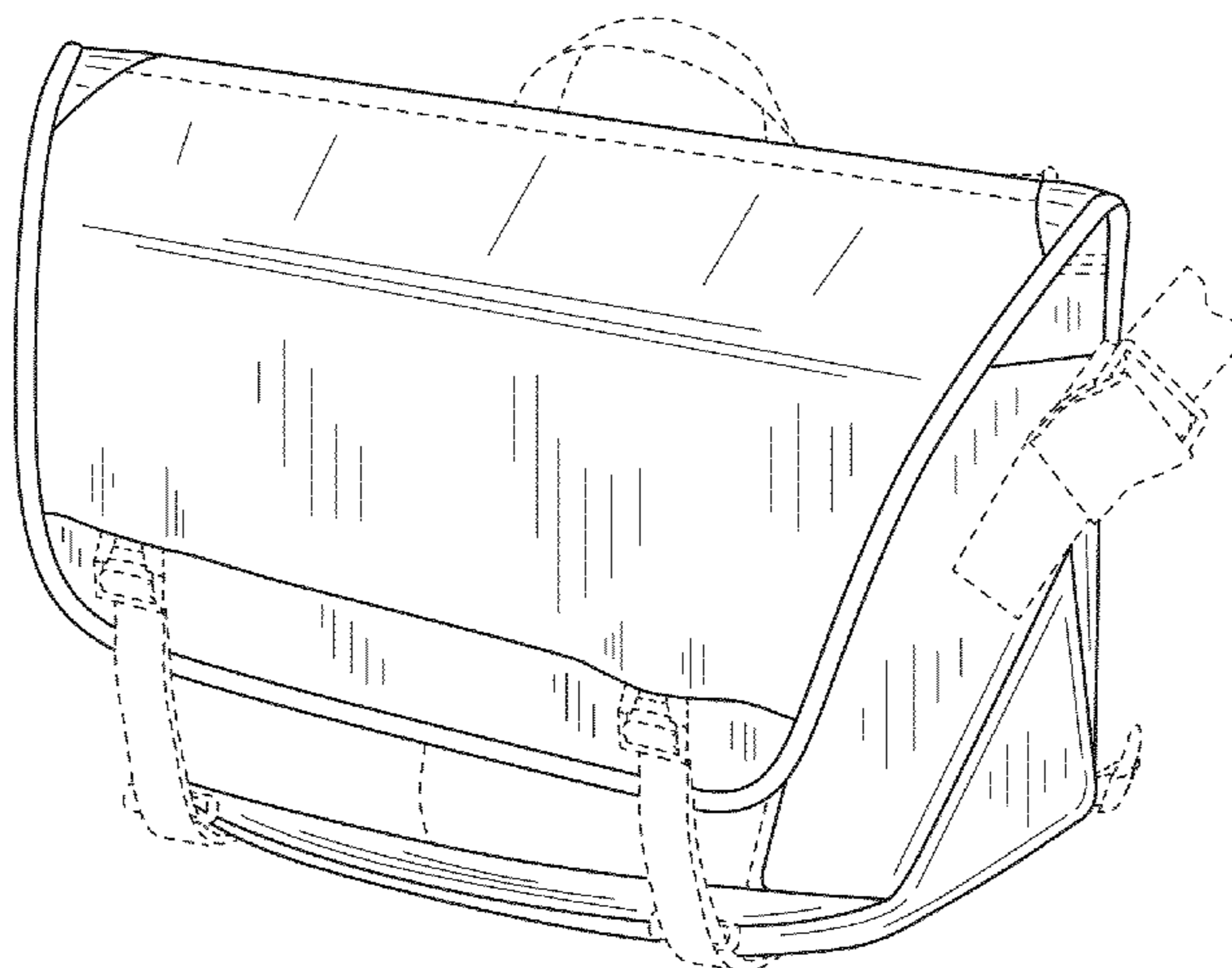
FIG. 6 is a top plan view thereof;

FIG. 7 is a bottom plan view thereof; and,

FIG. 8 is front perspective view of the shoulder bag of FIG. 1
in an open position.

The broken lines showing a shoulder bag are included for the
purpose of illustrating environment and form no part of the
claimed design.

1 Claim, 7 Drawing Sheets



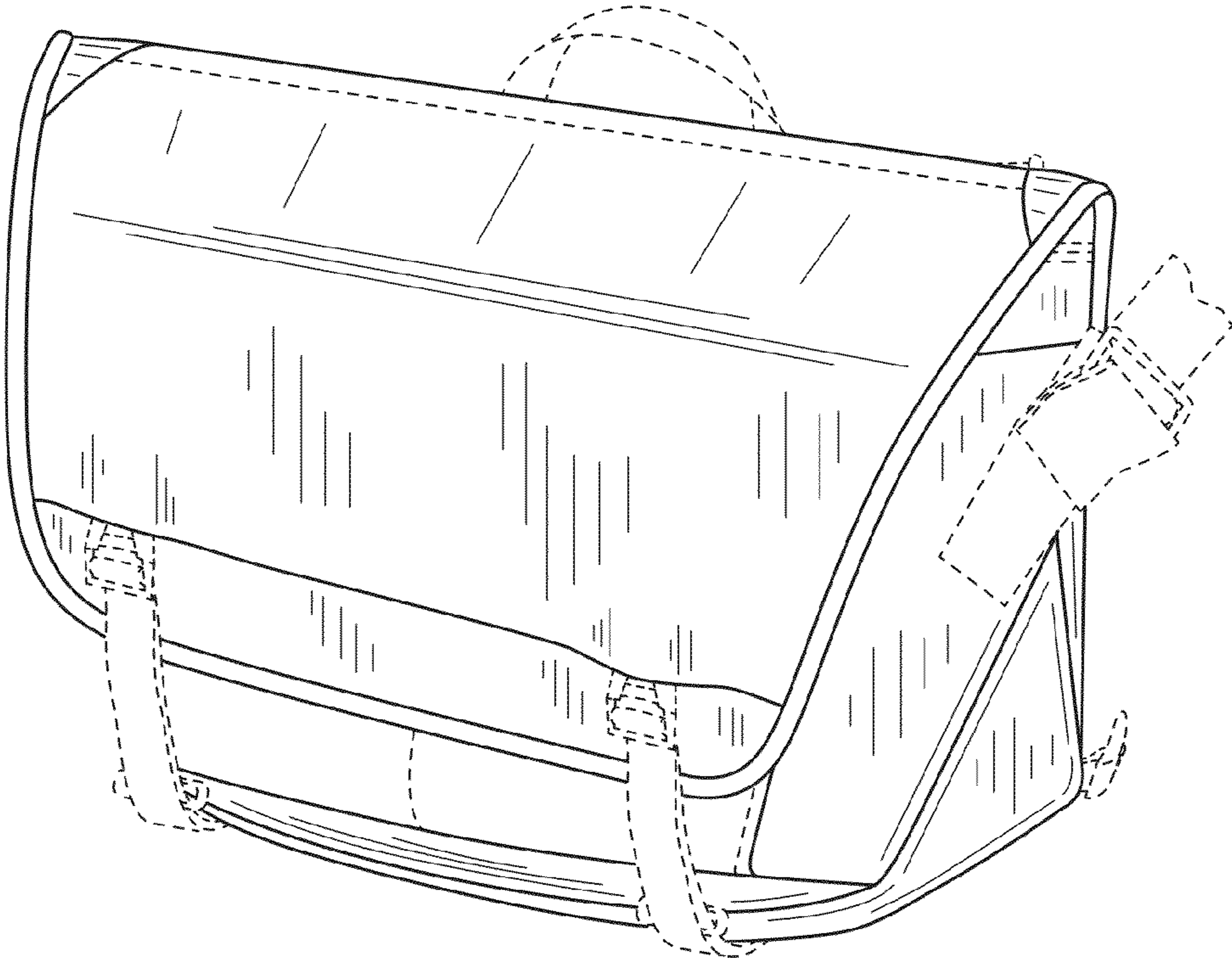


FIG.1

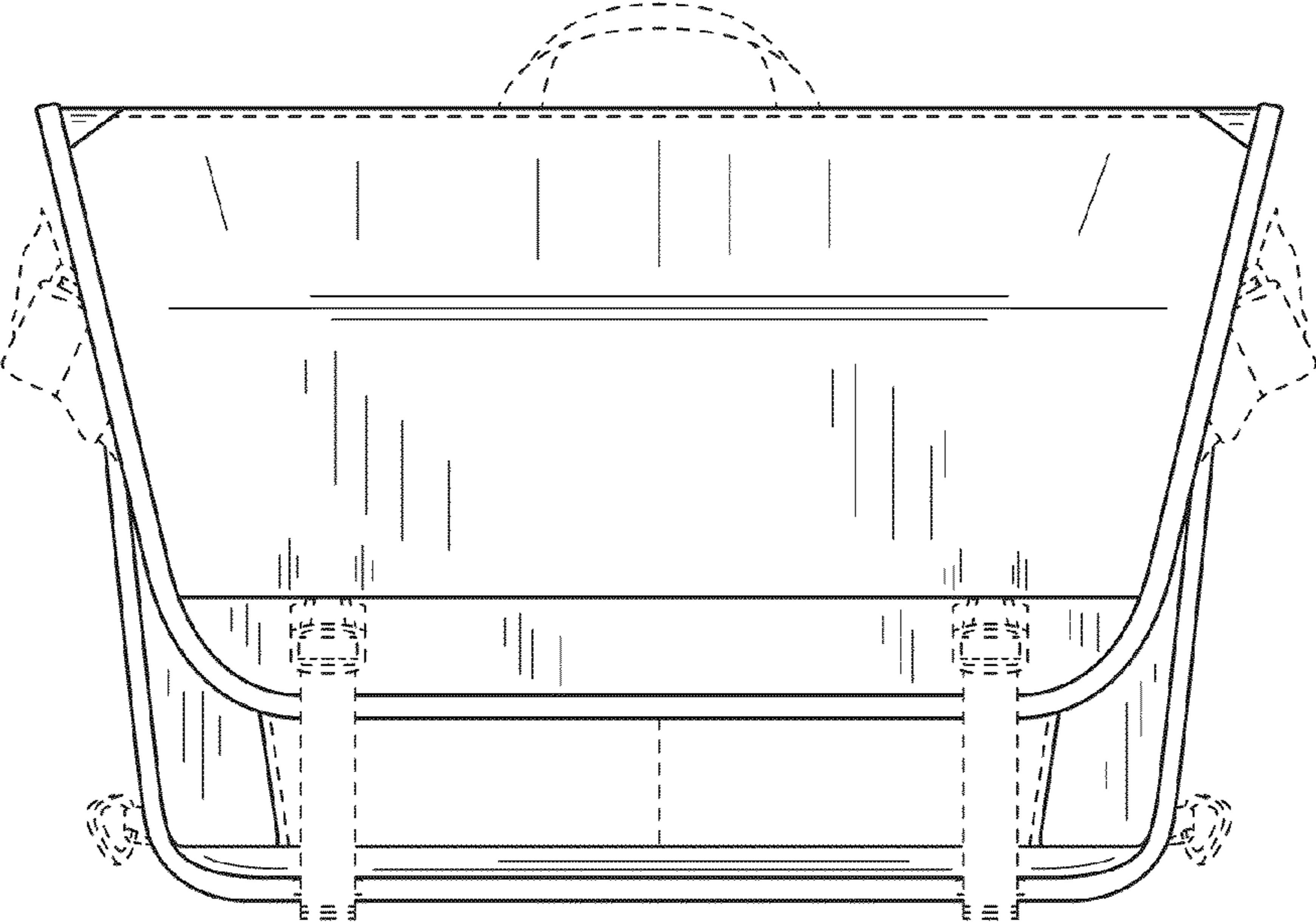


FIG.2

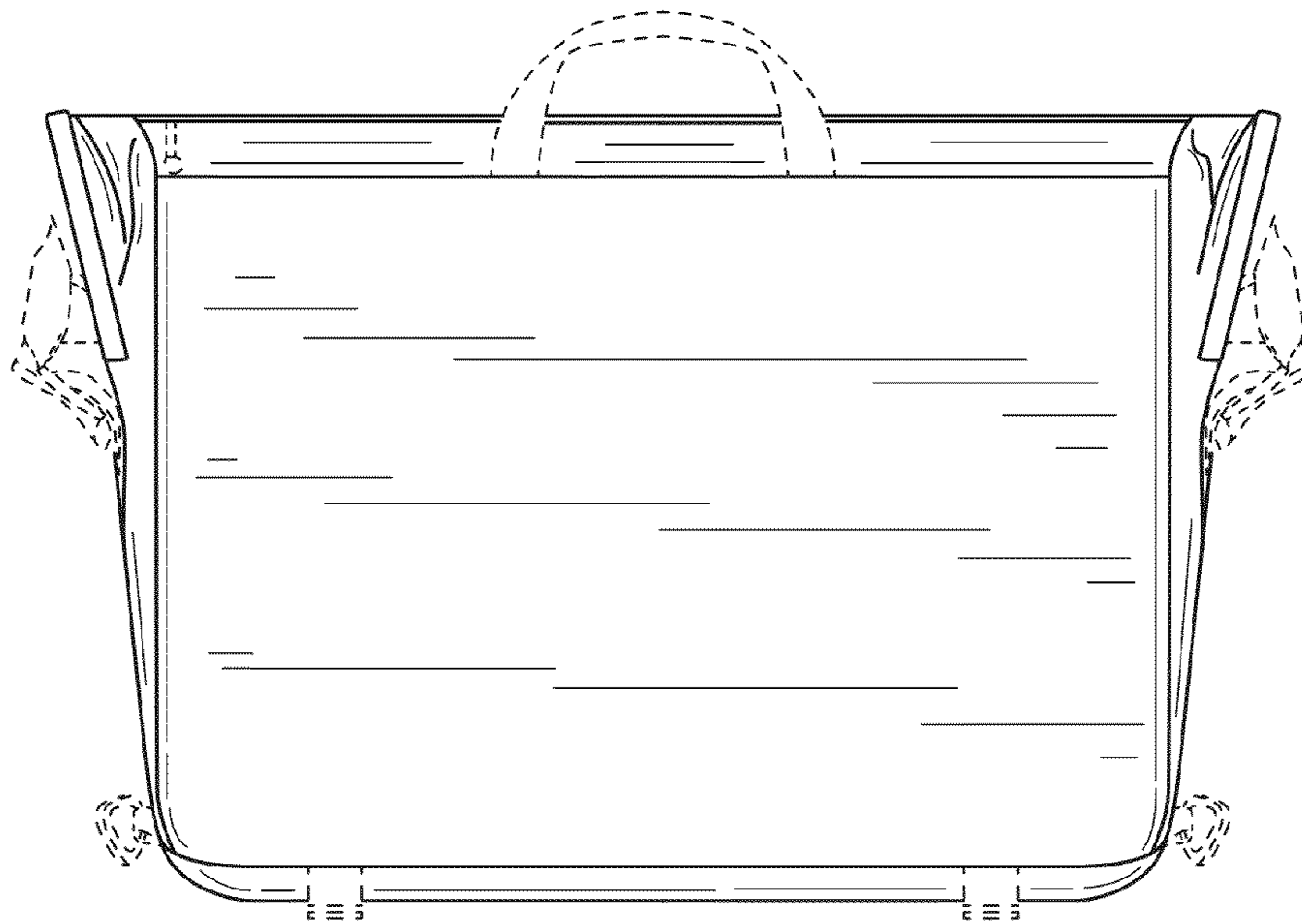


FIG.3

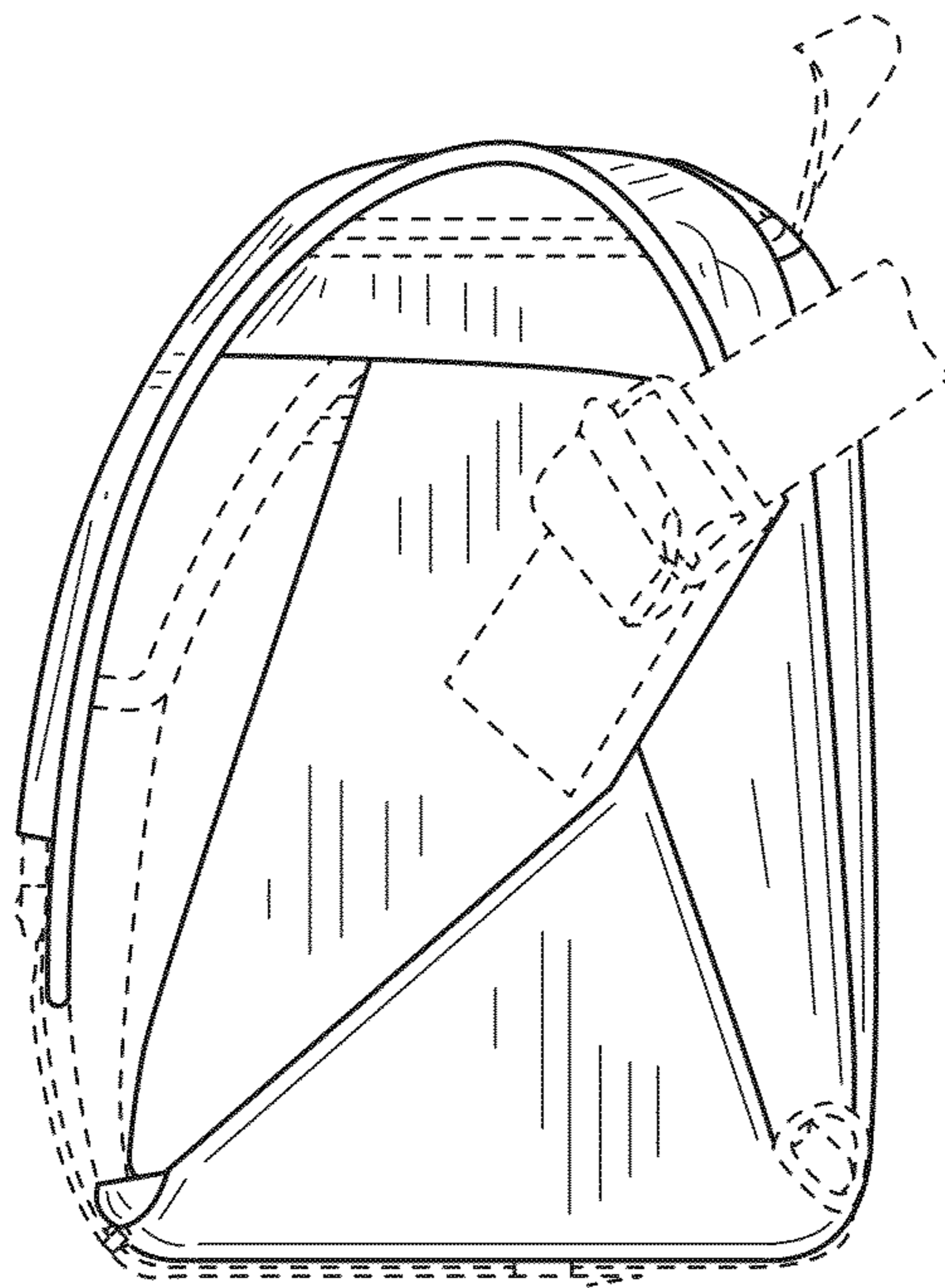


FIG.4

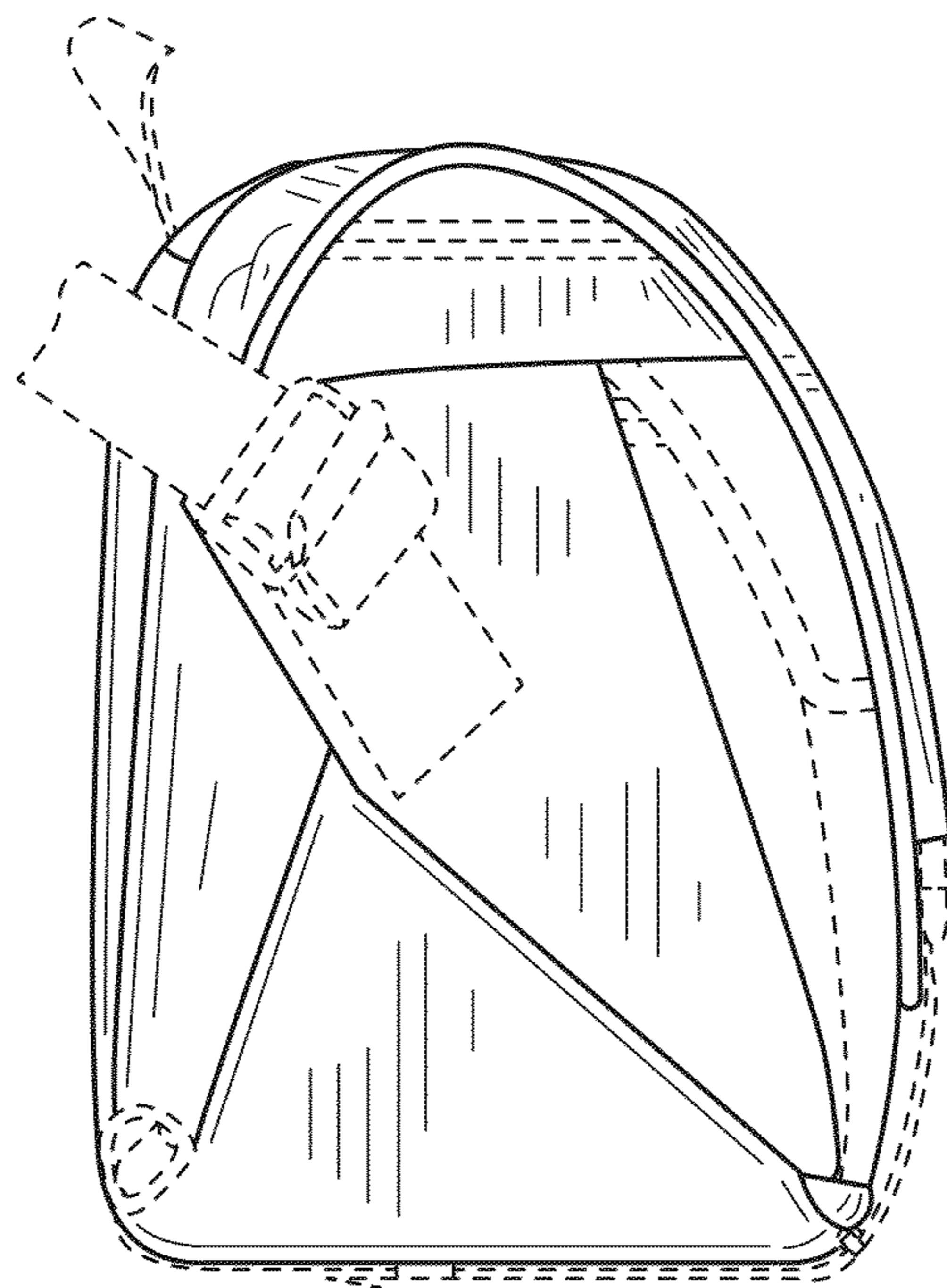


FIG.5

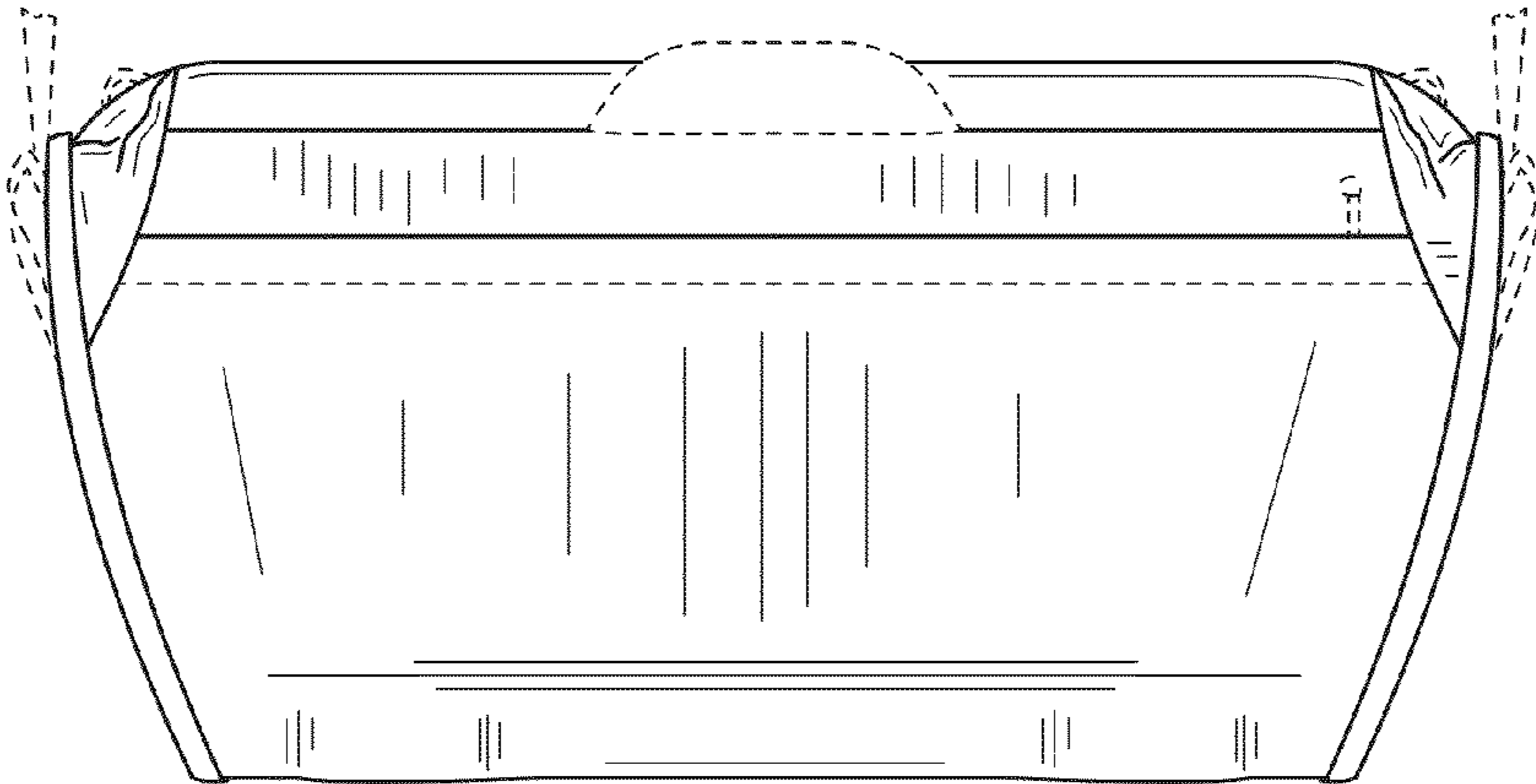


FIG. 6

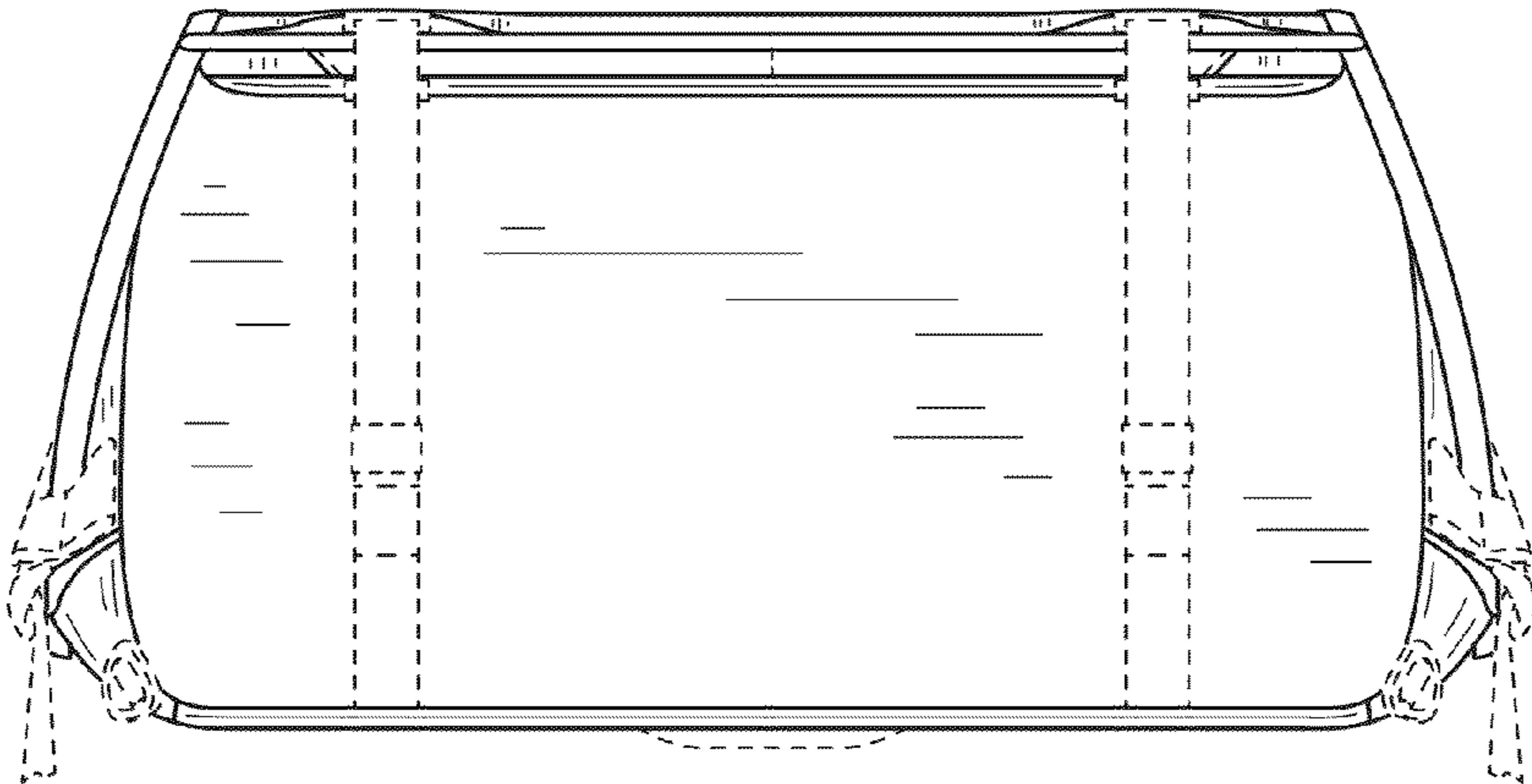


FIG. 7

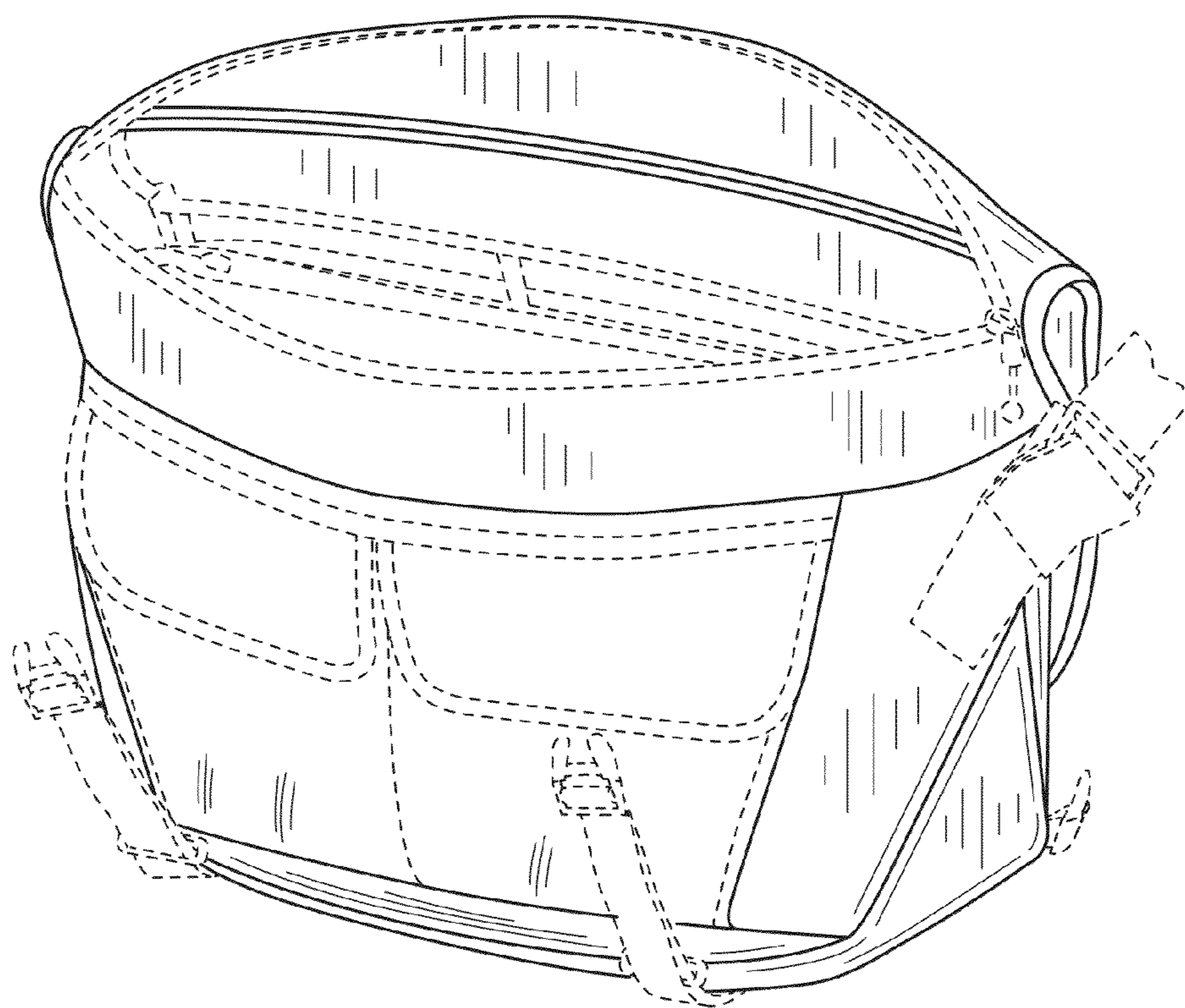


FIG.8