



US00D742628S

(12) **United States Design Patent**  
**Clark et al.**

(10) **Patent No.:** **US D742,628 S**  
(45) **Date of Patent:** **\*\* Nov. 10, 2015**

(54) **SPRAY MISTER AND FAN COMBINATION**

(71) Applicants: **Jonathan Clark**, Rockville, MD (US);  
**Greg Steiner**, Naperville, IL (US)

(72) Inventors: **Jonathan Clark**, Rockville, MD (US);  
**Greg Steiner**, Naperville, IL (US)

(\*\*) Term: **14 Years**

(21) Appl. No.: **29/493,255**

(22) Filed: **Jun. 6, 2014**

**Related U.S. Application Data**

(63) Continuation-in-part of application No. 29/486,827,  
filed on Apr. 2, 2014.

(51) **LOC (10) Cl.** ..... **03-04**

(52) **U.S. Cl.**  
USPC ..... **D3/1; D9/682; D23/379**

(58) **Field of Classification Search**  
USPC ..... D9/682, 684, 686-694, 715, 718, 719,  
D9/722, 500, 501, 503, 516, 517, 521, 526,  
D9/537, 539, 540, 551, 558, 564, 415, 434,  
D9/435, 436, 443, 445, 448, 457; D28/9,  
D28/10, 77, 91.1; D3/1; D23/213, 223, 225,  
D23/226, 227, 328, 332, 370, 379; 416/69,  
416/70 R, 71, 72, 73, 70 A, 74; 261/28, 78.2,  
261/DIG. 43, 34.1, 89, 90, 111; 239/222.11,  
239/289, 375  
CPC .... B05B 11/00; B05B 11/0035; B05B 11/30;  
A45B 27/00; A45B 2200/1045; A45D 34/00;  
A45D 34/02; A45D 34/04; A45D 2034/007;  
A45D 2200/057; F24F 2221/38; F24F 6/14  
See application file for complete search history.

(56) **References Cited**

**U.S. PATENT DOCUMENTS**

1,141,957 A \* 6/1915 Haldenwang ..... 416/71  
D102,200 S \* 12/1936 Vuillefont ..... D28/91.1

2,122,901 A \* 7/1938 Urbanek ..... 416/70 R  
2,917,197 A \* 12/1959 Glover et al. .... 215/12.2  
D193,638 S \* 9/1962 Goldstein ..... D9/538  
3,907,171 A \* 9/1975 Pearson ..... 222/182  
4,022,354 A \* 5/1977 Kotuby ..... 222/321.2  
D246,893 S \* 1/1978 Eron ..... D9/689  
D329,019 S \* 9/1992 Olds et al. .... D9/551  
D397,774 S \* 9/1998 Junkel et al. .... D23/328  
D411,100 S \* 6/1999 Torres ..... D9/692  
D414,031 S \* 9/1999 Brown ..... D3/1  
D438,785 S \* 3/2001 Baron ..... D9/689  
D446,121 S \* 8/2001 Maddy ..... D9/500  
D465,410 S \* 11/2002 Kikuchi ..... D9/691  
D467,807 S \* 12/2002 Bakic ..... D9/521  
D486,387 S \* 2/2004 Lee et al. .... D9/682  
D491,056 S \* 6/2004 Bougamont ..... D9/688  
D550,098 S \* 9/2007 Gerlach ..... D9/682  
D604,180 S \* 11/2009 Nevins et al. .... D9/691  
7,878,424 B2 \* 2/2011 Schnuckle ..... 239/289  
D636,068 S \* 4/2011 Steiner ..... D23/379

(Continued)

*Primary Examiner* — Catherine Tuttle

(74) *Attorney, Agent, or Firm* — Andrew C. Aitken

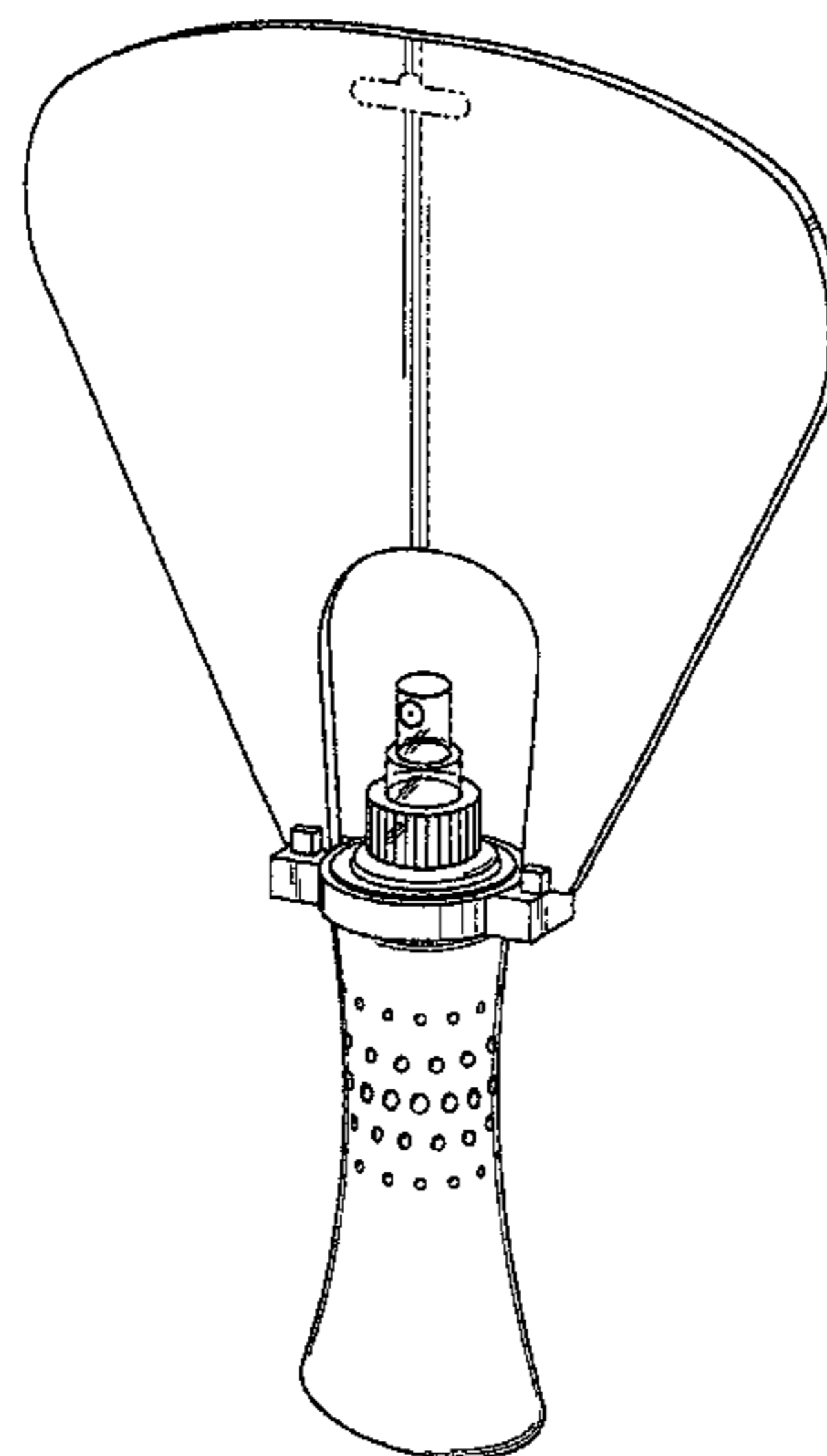
(57) **CLAIM**

We claim the ornamental design for the spray mister and fan combination, as shown and described.

**DESCRIPTION**

FIG. 1 is a perspective view of the spray mister and fan combination showing our new design;  
FIG. 2 is a front elevational view thereof;  
FIG. 3 is a right side elevational view thereof;  
FIG. 4 is a left side elevational view thereof;  
FIG. 5 is a rear elevational view thereof;  
FIG. 6 is a top plan view thereof; and,  
FIG. 7 is a bottom plan view thereof.  
The element shown in broken lines on the upper portion of FIGS. 1, 2 and 5 is for illustrative purposes only; and forms no part of the claimed design.

**1 Claim, 5 Drawing Sheets**



**US D742,628 S**

Page 2

---

(56)

**References Cited**

U.S. PATENT DOCUMENTS

D695,628 S \* 12/2013 Chen ..... D9/688  
8,794,599 B2 \* 8/2014 Steiner ..... 261/28  
2012/0261843 A1 \* 10/2012 Steiner ..... 261/34.1

D636,481 S \* 4/2011 Steiner ..... D23/379 \* cited by examiner

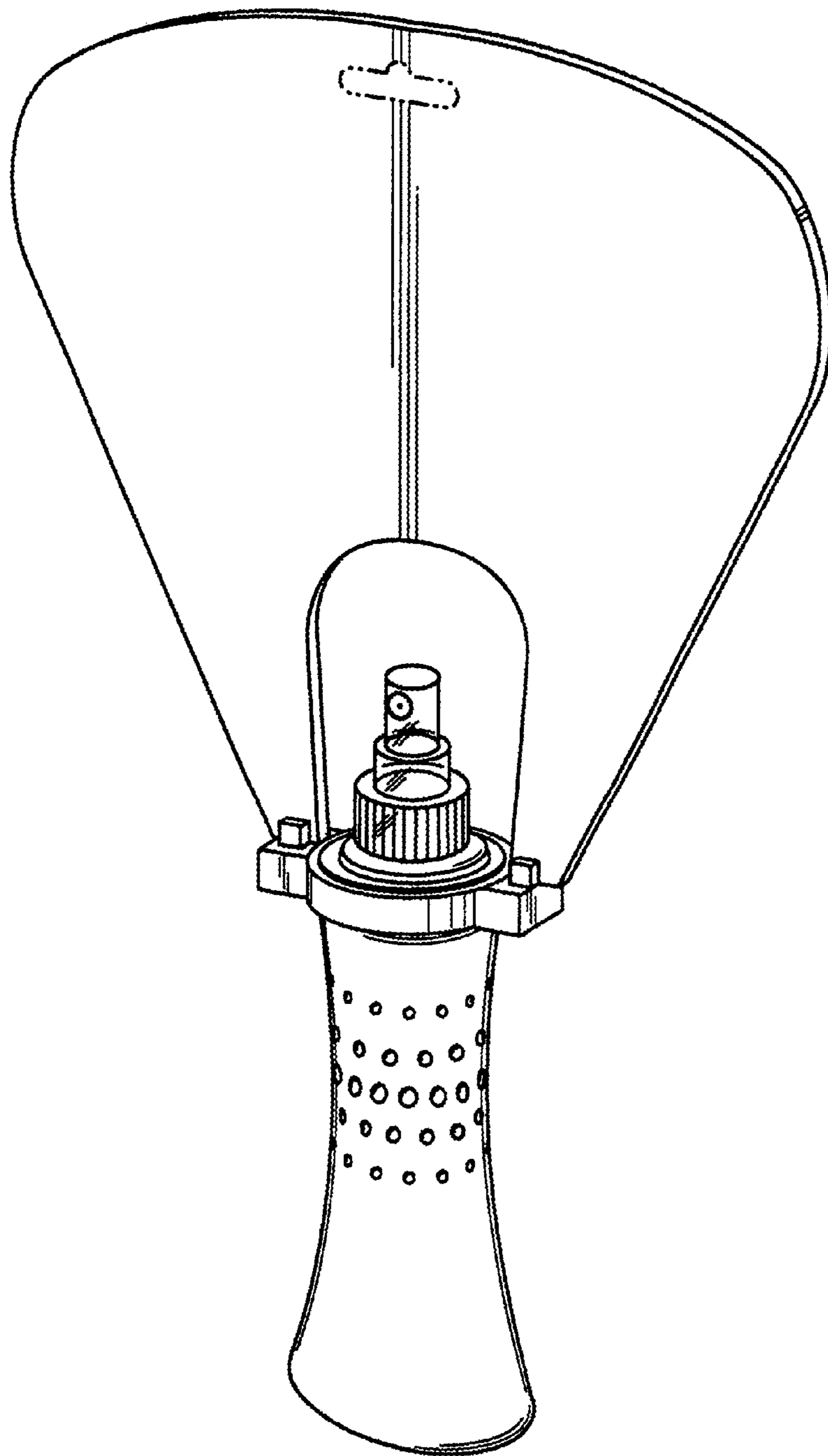


FIG. 1

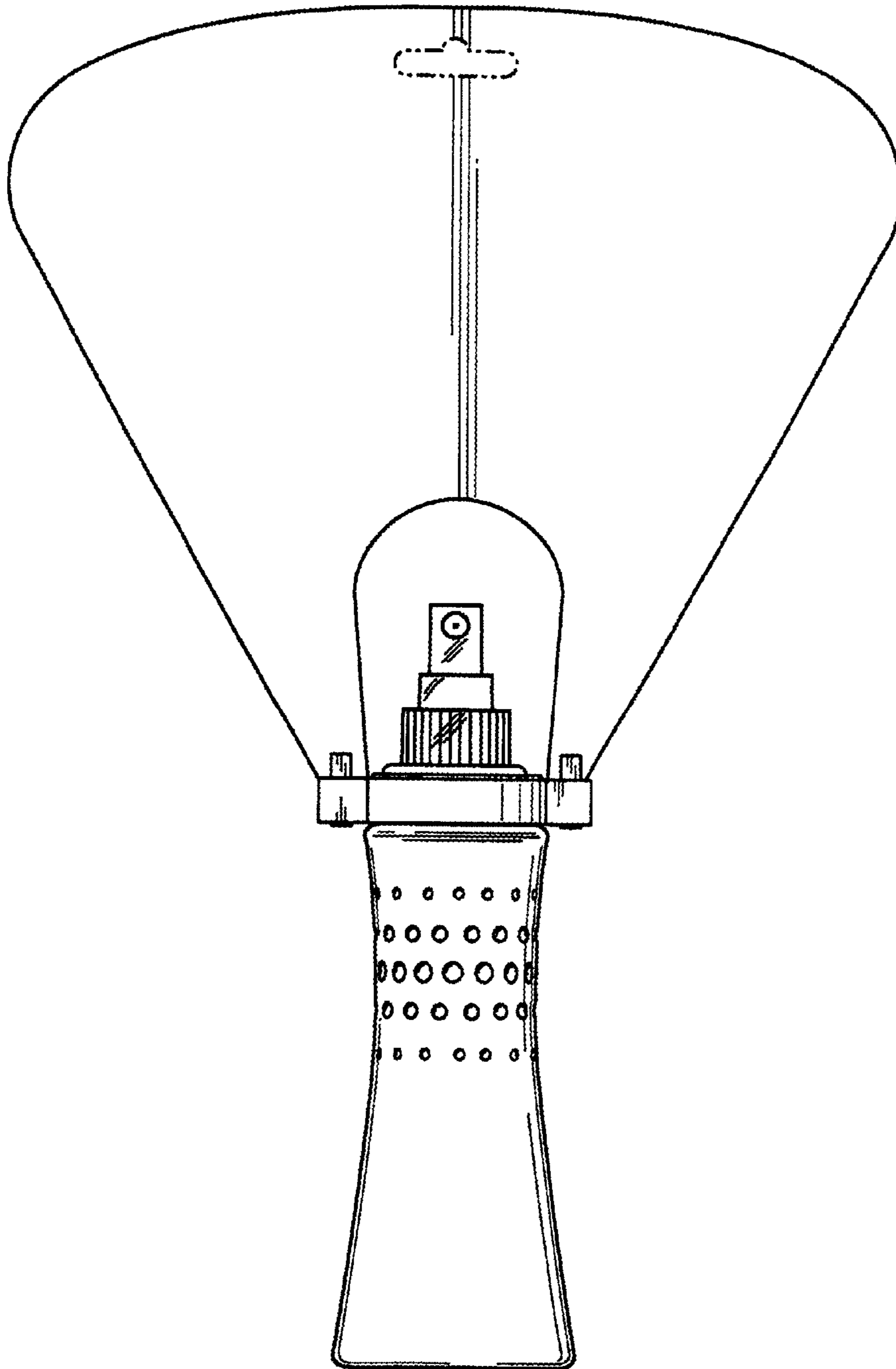


FIG. 2

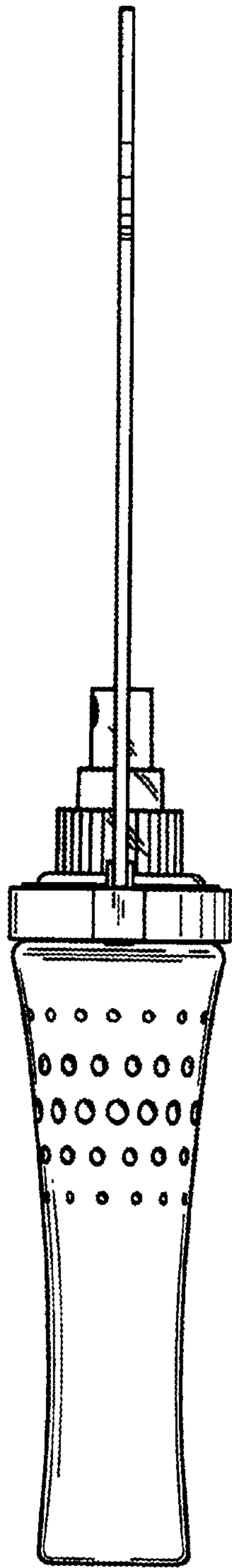


FIG. 3

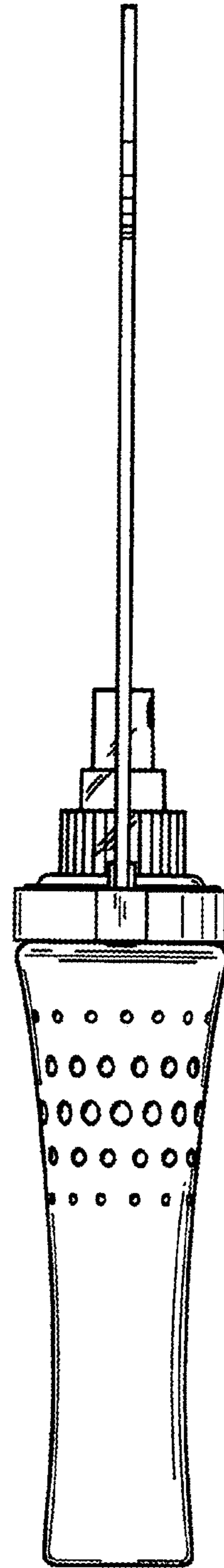


FIG. 4

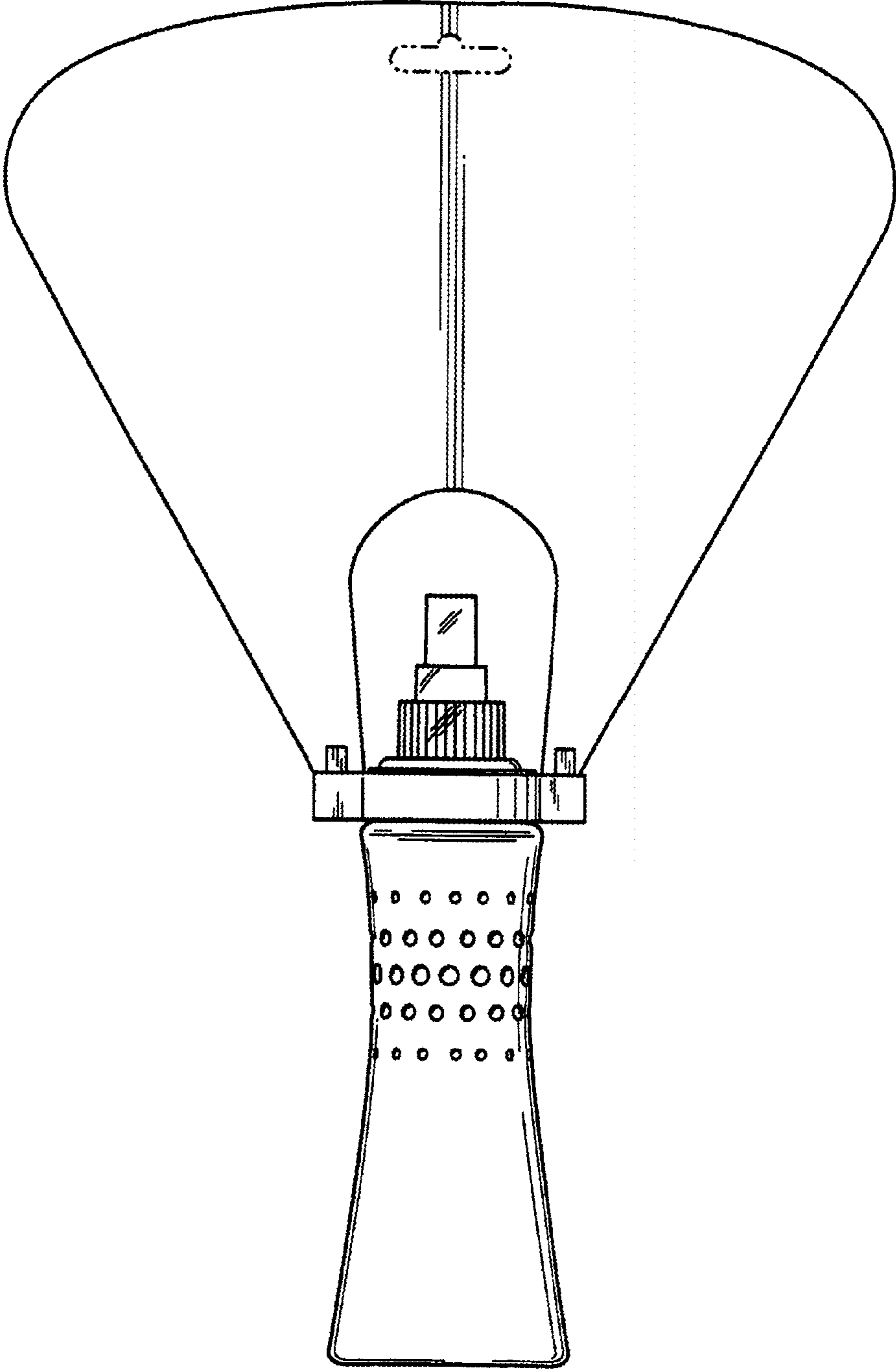


FIG. 5

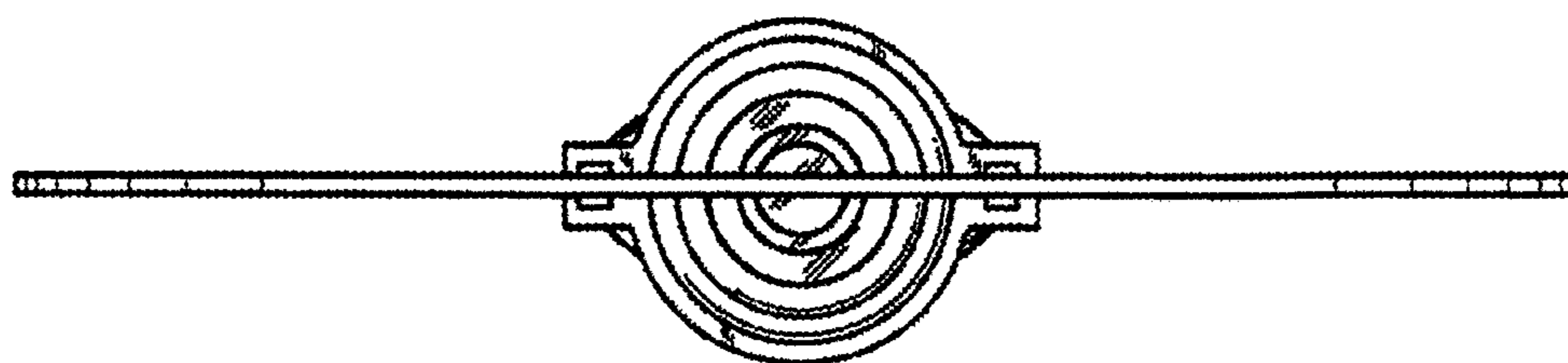


FIG. 6

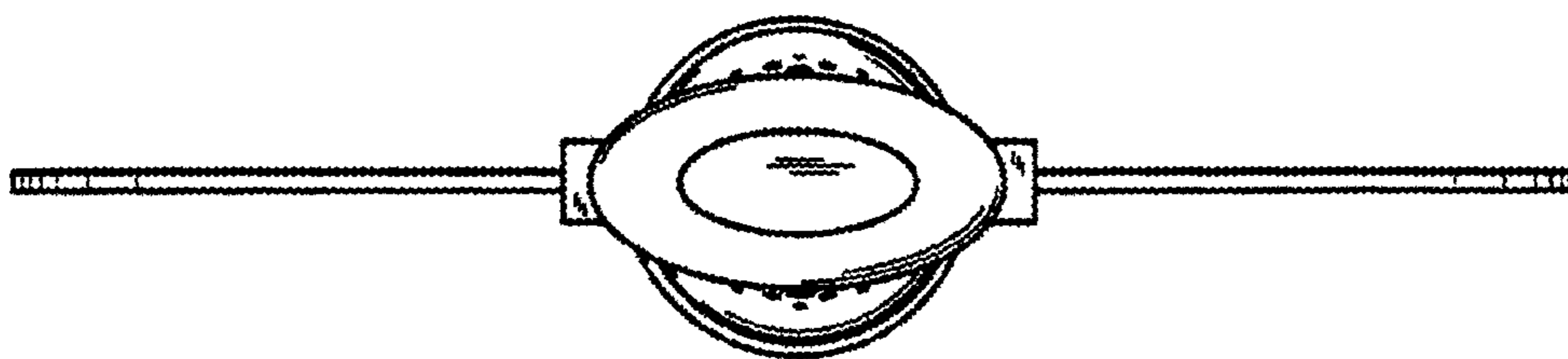


FIG. 7