



US00D742615S

(12) **United States Design Patent**  
**Martin**

(10) **Patent No.:** **US D742,615 S**

(45) **Date of Patent:** **\*\* Nov. 3, 2015**

(54) **STORAGE CONTAINER WITH FOOT OR HAND HOLD DOWN**

(71) Applicant: **Michael L. Martin**, Watertown, WI (US)

(72) Inventor: **Michael L. Martin**, Watertown, WI (US)

(\*\*) Term: **14 Years**

(21) Appl. No.: **29/490,853**

(22) Filed: **May 14, 2014**

**Related U.S. Application Data**

(63) Continuation of application No. 13/675,589, filed on Nov. 13, 2012, now abandoned.

(51) **LOC (10) Cl.** ..... **09-02**

(52) **U.S. Cl.**  
USPC ..... **D34/39**

(58) **Field of Classification Search**  
USPC ..... D34/39, 1, 7, 9; D7/301, 300, 397;  
D9/454, 503; 220/565, 910, 495.05,  
220/495.11  
CPC ..... B65D 88/02; B65D 90/24; B65D 90/08;  
B65F 1/06; B65F 1/068; B65F 7/00; B65F  
2210/139  
See application file for complete search history.

(56) **References Cited**

**U.S. PATENT DOCUMENTS**

D265,176 S \* 6/1982 Bock ..... D34/39  
5,390,818 A 2/1995 LaBuda  
D384,484 S \* 9/1997 Ibarra et al. .... D34/39  
5,803,303 A \* 9/1998 Timm et al. .... 220/495.04

D448,909 S \* 10/2001 Friesen et al. .... D34/39  
D488,899 S \* 4/2004 Divoll et al. .... D34/1  
D490,958 S \* 6/2004 Koza ..... D34/39  
D522,703 S \* 6/2006 Johnson ..... D34/1  
D549,419 S \* 8/2007 Baier et al. .... D34/7  
D604,475 S \* 11/2009 Bender et al. .... D34/39  
D678,650 S \* 3/2013 Giles et al. .... D34/39  
D730,007 S \* 5/2015 Machen ..... D34/1  
D732,262 S \* 6/2015 Pellham ..... D34/39  
2009/0288733 A1\* 11/2009 Wilson ..... 141/2

**OTHER PUBLICATIONS**

United States Plastic Corp. catalog, p. 66.

\* cited by examiner

*Primary Examiner* — Cynthia Ramirez

(74) *Attorney, Agent, or Firm* — Donald J. Ersler

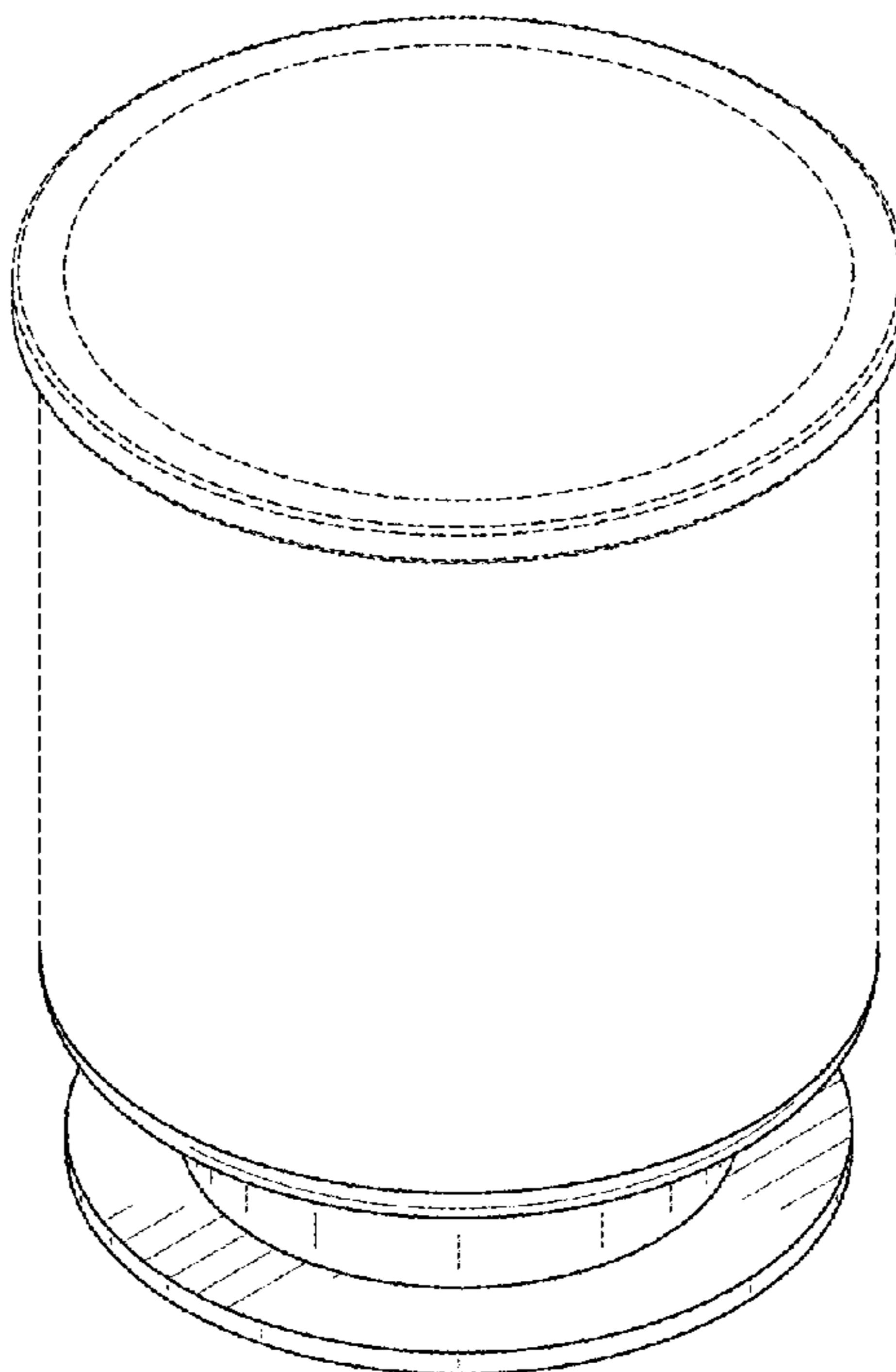
(57) **CLAIM**

The ornamental design for the storage container with foot or hand hold down, as shown and described.

**DESCRIPTION**

FIG. 1 is a top perspective view of a storage container with foot or hand hold down incorporating my new design;  
FIG. 2 is a bottom perspective view thereof;  
FIG. 3 is a top plan view thereof;  
FIG. 4 is a bottom plan view thereof; and,  
FIG. 5 is a front elevation view thereof.  
The broken lines shown in the drawings illustrate portions of the storage container with foot or hand hold down that forms no part of the claimed design.

**1 Claim, 2 Drawing Sheets**



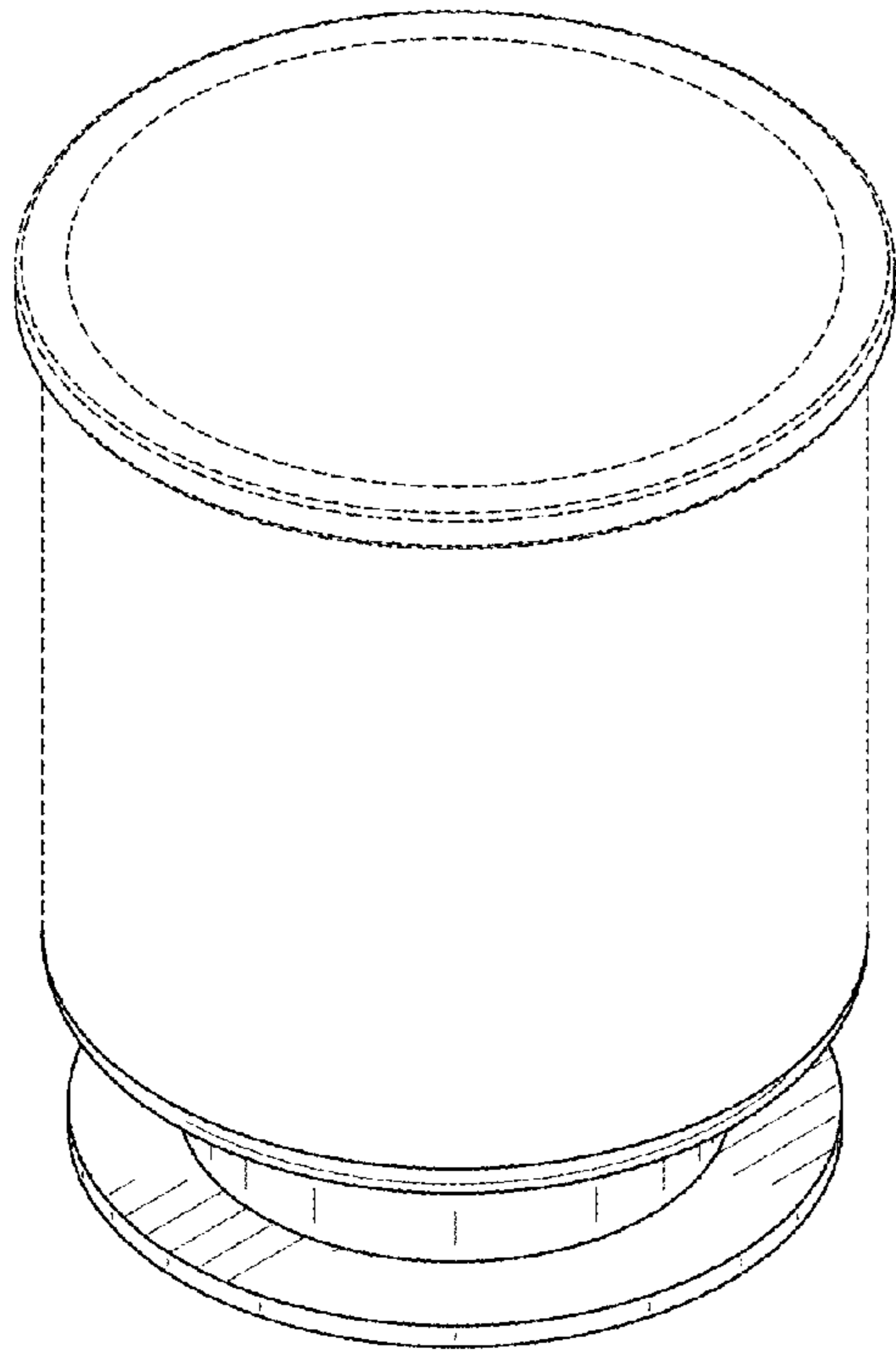


FIG. 1

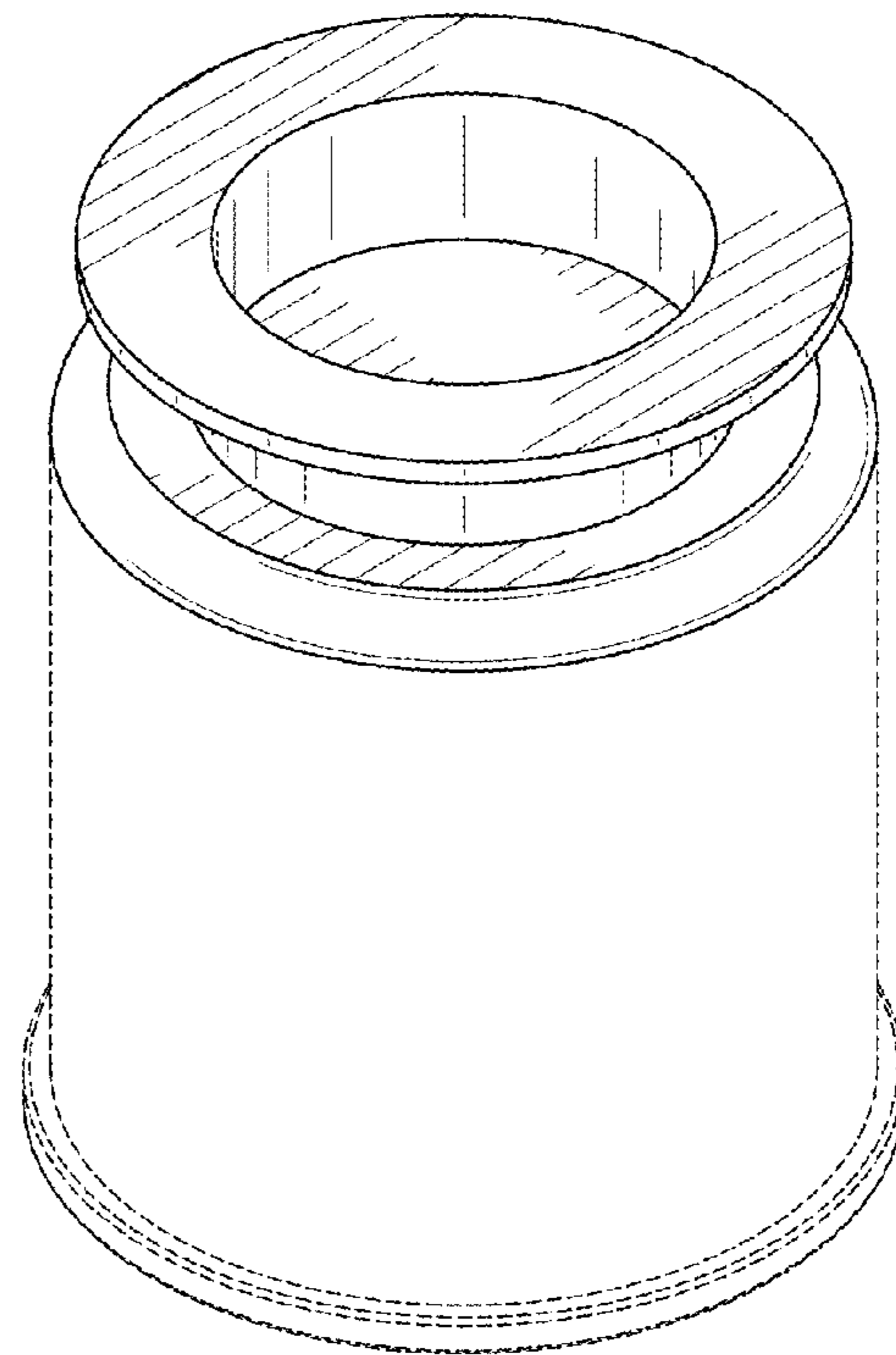


FIG. 2

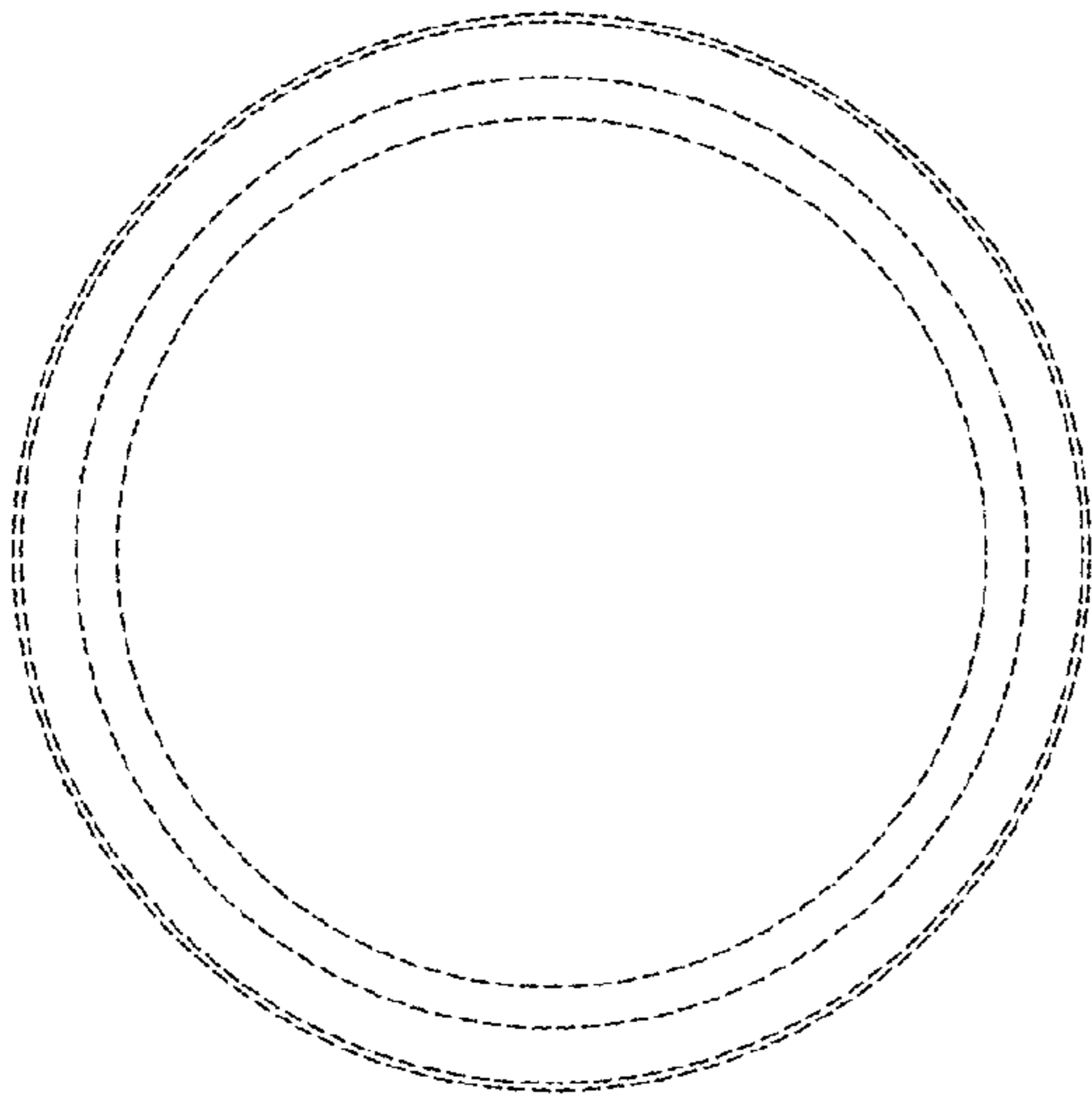


FIG. 3

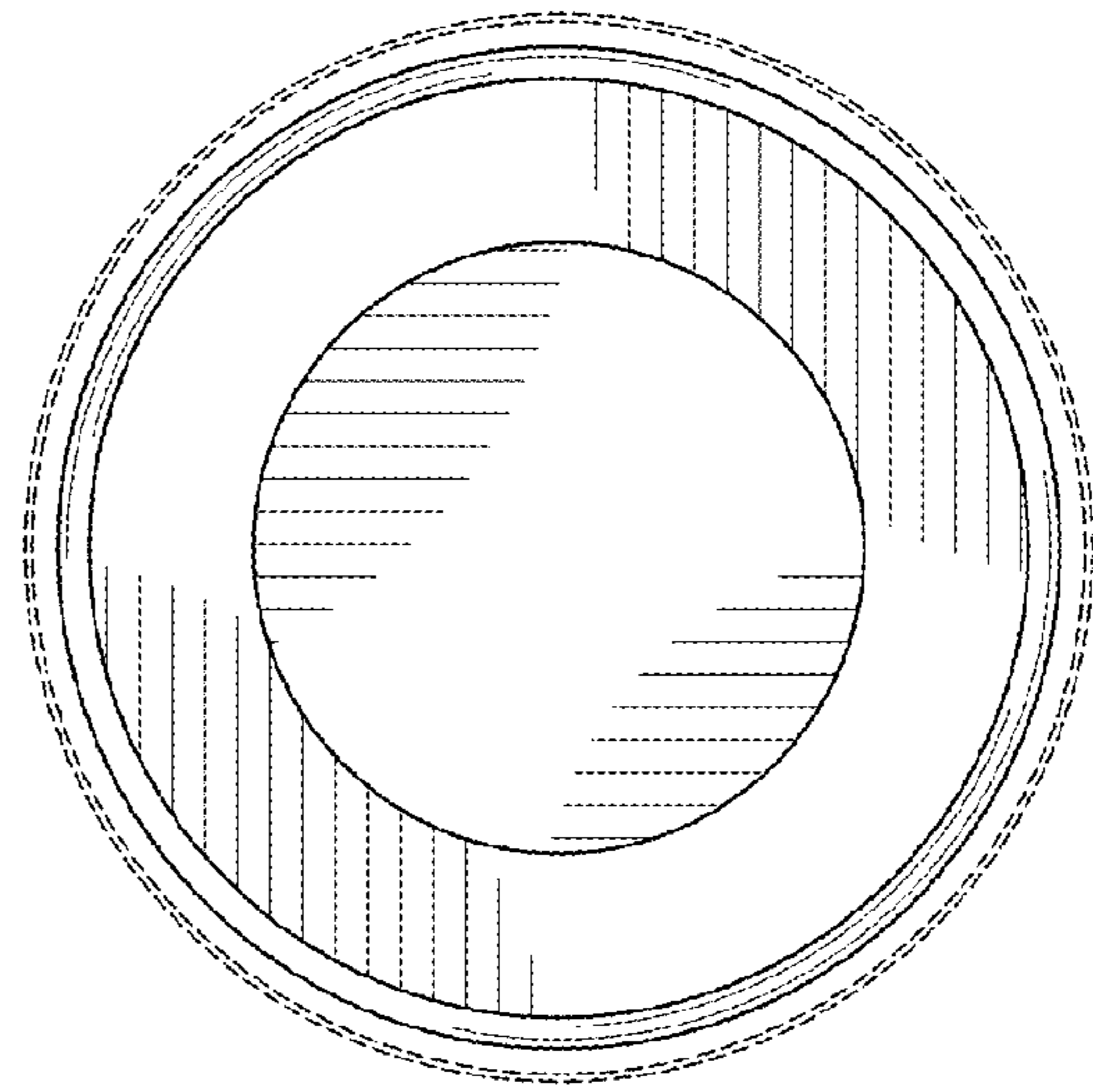


FIG. 4

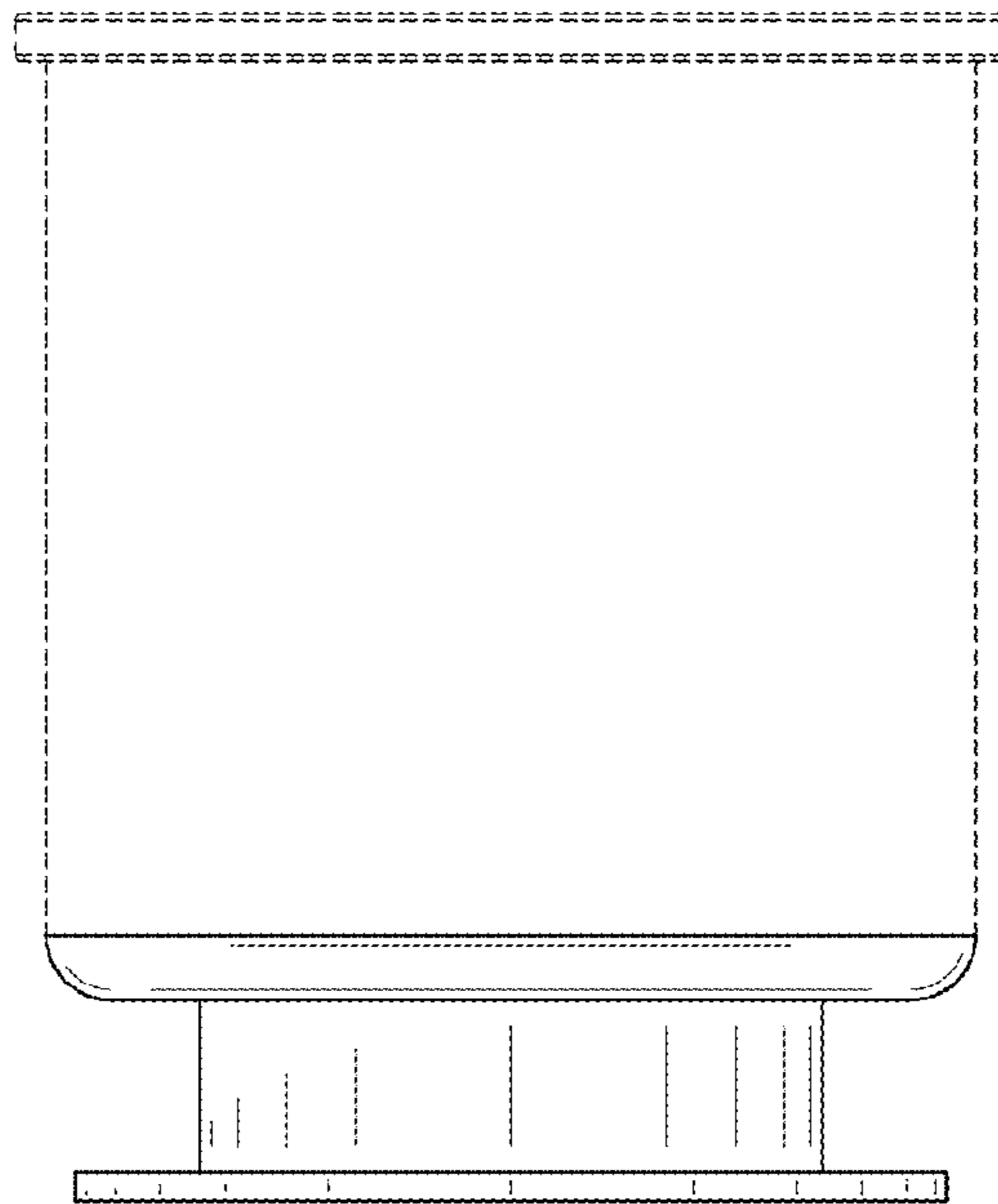


FIG. 5