



US00D742614S

(12) **United States Design Patent**
Aho

(10) **Patent No.:** **US D742,614 S**
(45) **Date of Patent:** **** Nov. 3, 2015**

- (54) **WINCH**
- (71) Applicant: **Engo Industries, LLC**, Vancouver, WA (US)
- (72) Inventor: **Drew V. Aho**, Vancouver, WA (US)
- (73) Assignee: **Engo Industries, L.L.C.**, Vancouver, WA (US)
- (**) Term: **14 Years**
- (21) Appl. No.: **29/508,220**
- (22) Filed: **Nov. 4, 2014**
- (51) **LOC (10) Cl.** **12-05**
- (52) **U.S. Cl.**
USPC **D34/33**
- (58) **Field of Classification Search**
USPC D34/28, 33; 254/362, 372, 380, 901, 254/382, 374, 316, 342
CPC B66D 1/02; B66D 1/14; B66D 1/12
See application file for complete search history.

5,098,068	A *	3/1992	Jussila	254/342
6,073,917	A *	6/2000	Plummer	254/389
D473,992	S *	4/2003	Hodge	D34/33
6,864,650	B2 *	3/2005	Heravi et al.	318/280
D513,650	S *	1/2006	Elliott	D34/33
D597,105	S *	7/2009	Geisler et al.	D15/9
7,891,641	B1 *	2/2011	Miller	254/346
D703,414	S *	4/2014	Fretz et al.	D34/33
D706,514	S *	6/2014	Weingartner	D34/33
2014/0001427	A1 *	1/2014	Fretz et al.	254/342

* cited by examiner

Primary Examiner — Cynthia Ramirez

(74) *Attorney, Agent, or Firm* — Luedeka Neely Group, P.C.

(57) **CLAIM**

The ornamental design for a winch, as shown and described.

DESCRIPTION

FIG. 1 is a top perspective view of the winch showing my new design;
 FIG. 2 is a left end view thereof;
 FIG. 3 is a right end view thereof;
 FIG. 4 is a front elevation view thereof;
 FIG. 5 is a rear elevation view thereof;
 FIG. 6 is a tip plan view thereof; and,
 FIG. 7 is a bottom plan view thereof.

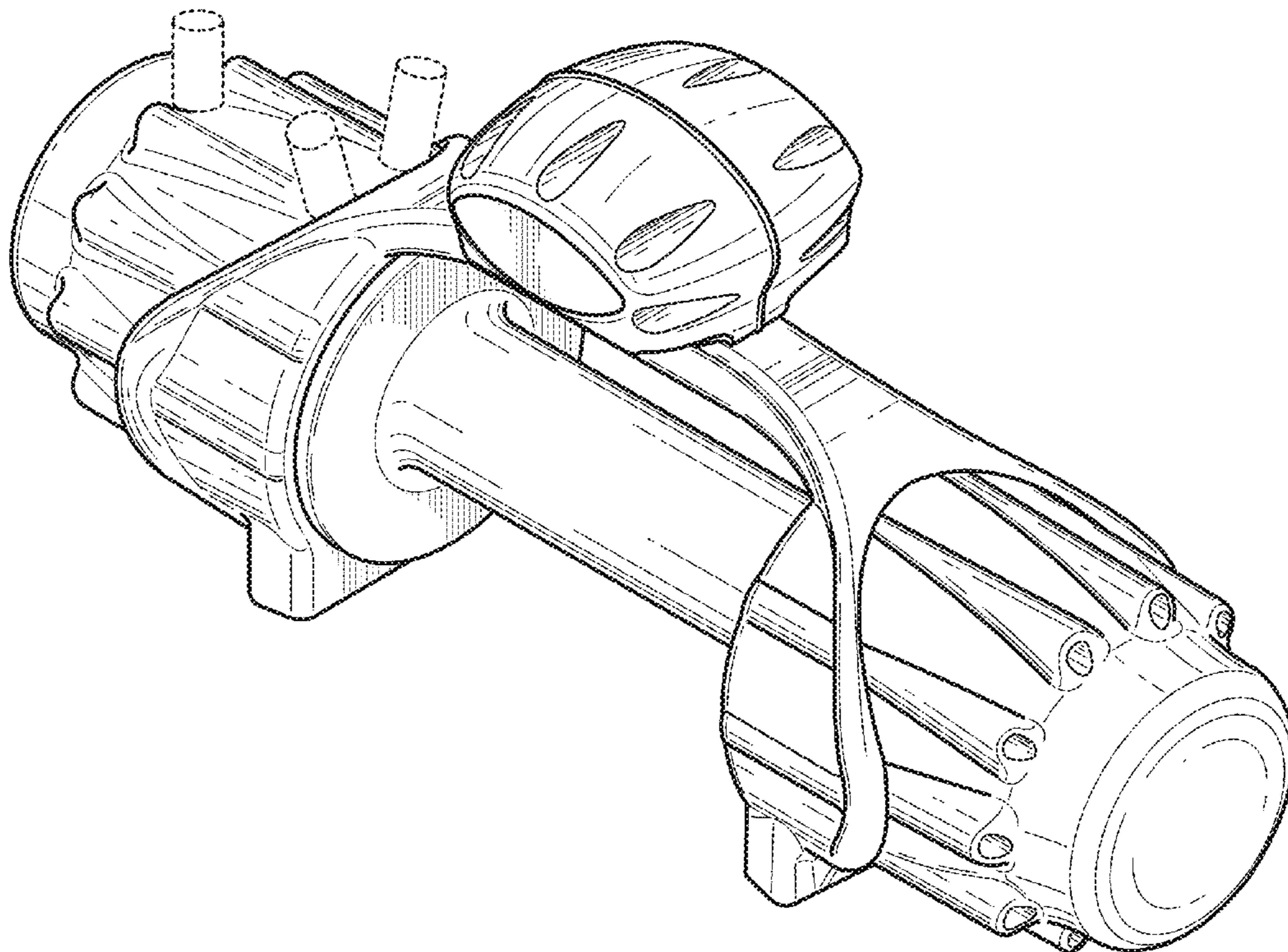
The broken lines shown in the figures are included for the purpose of illustrating environment and form no part of the claimed design.

1 Claim, 6 Drawing Sheets

(56) **References Cited**

U.S. PATENT DOCUMENTS

1,550,114	A *	8/1925	Simpson	242/157.1
3,190,617	A *	6/1965	Burrows	254/342
4,103,872	A *	8/1978	Hirasuka	254/356



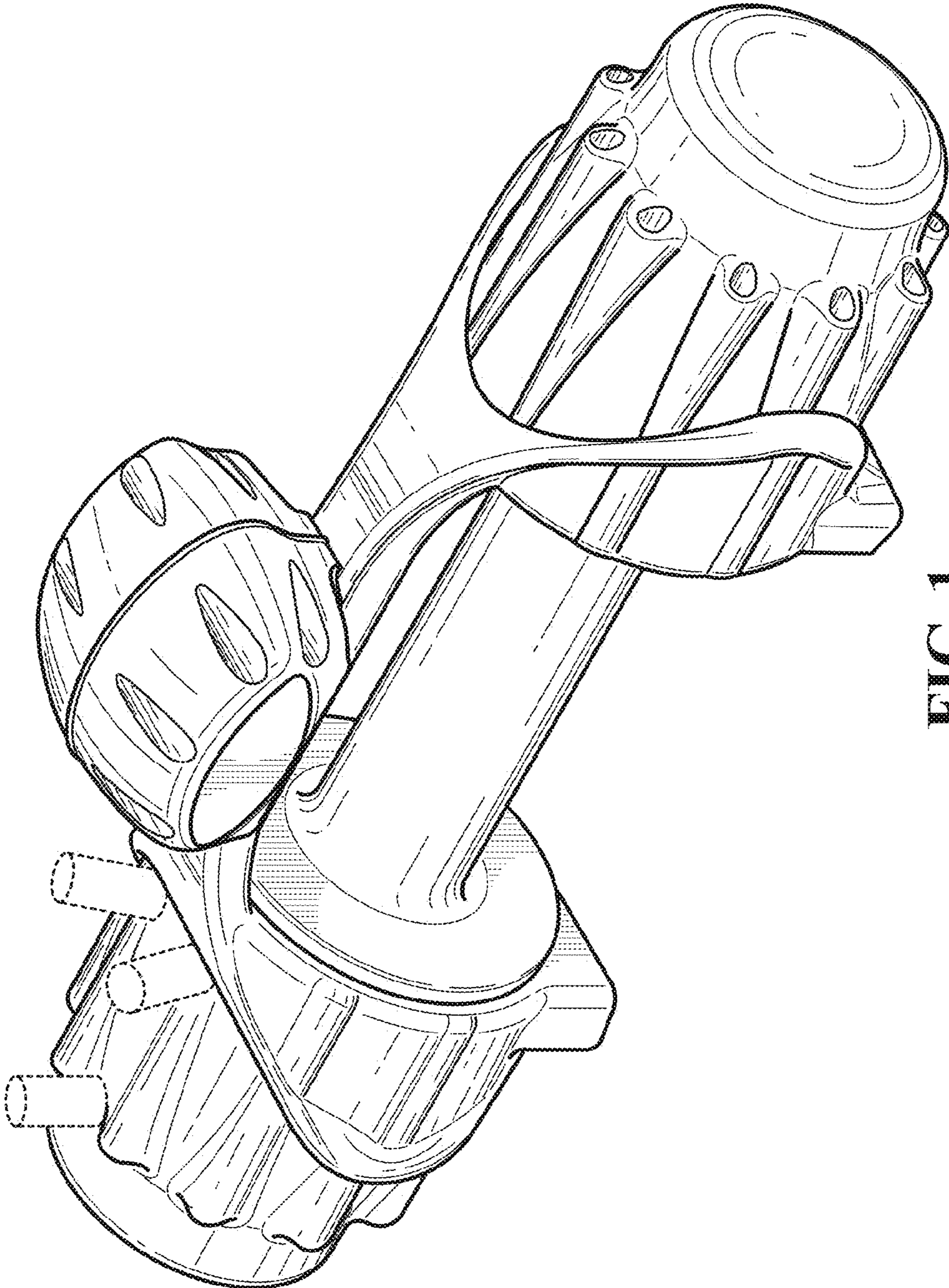


FIG. 1

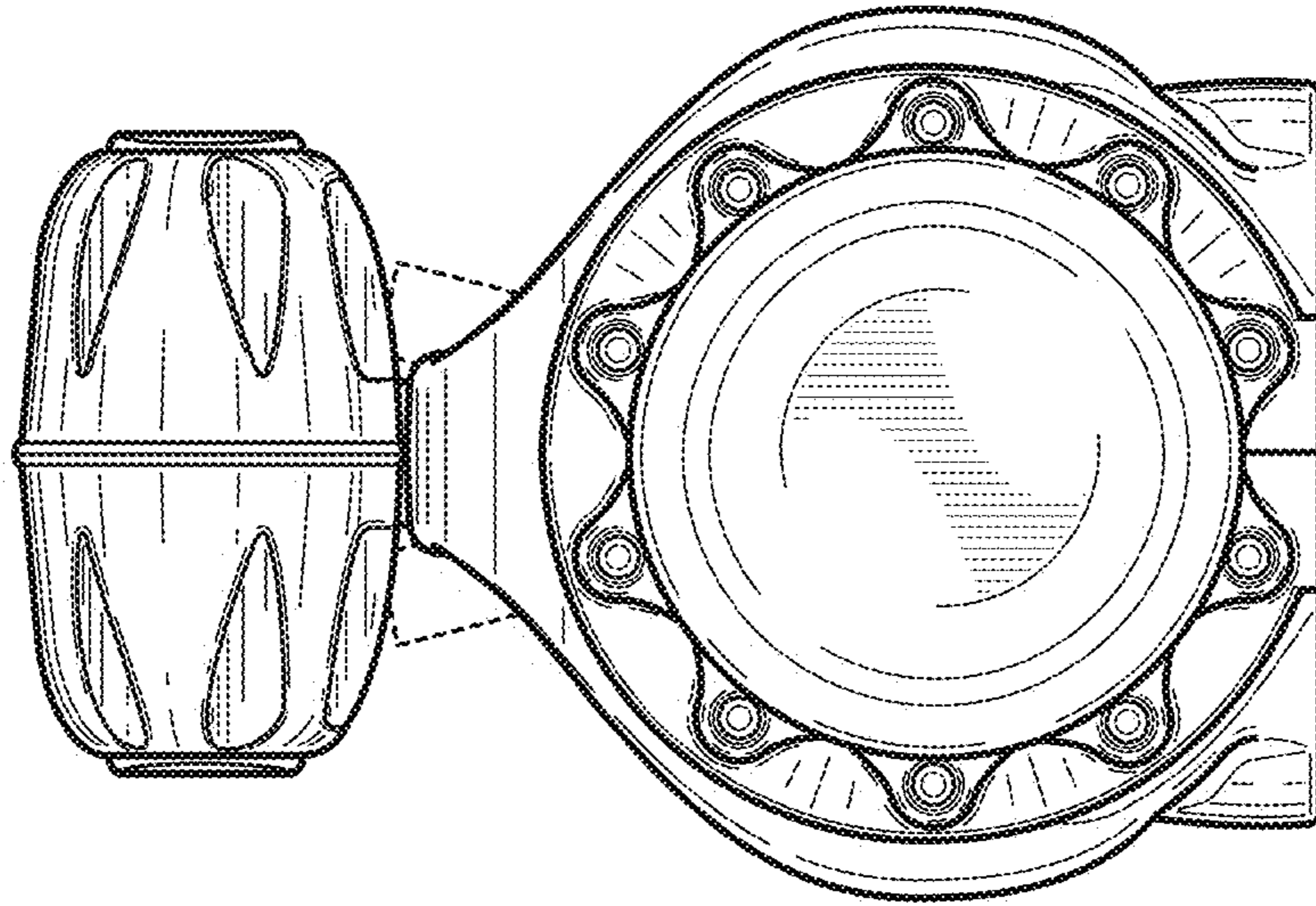


FIG. 3

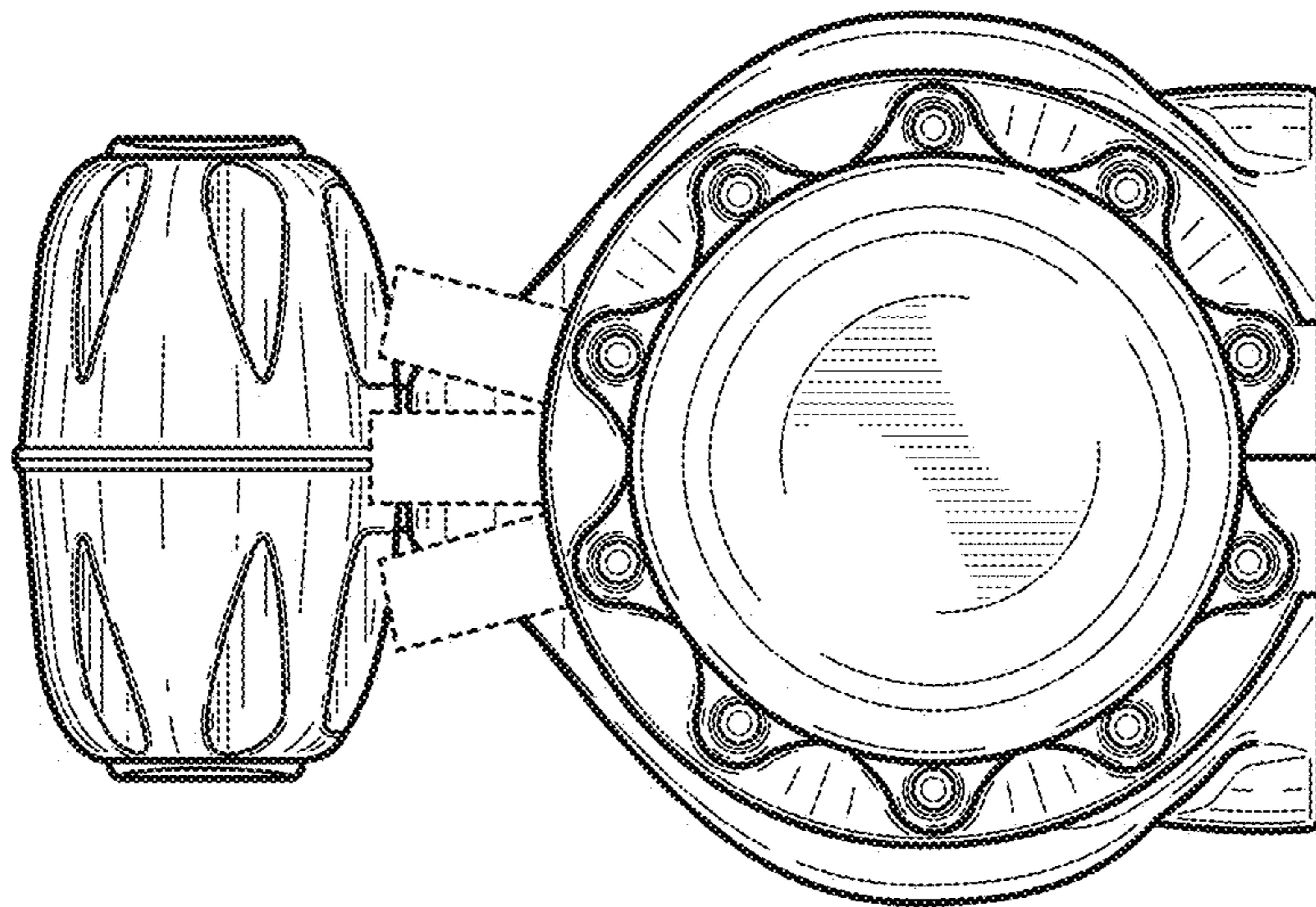


FIG. 2

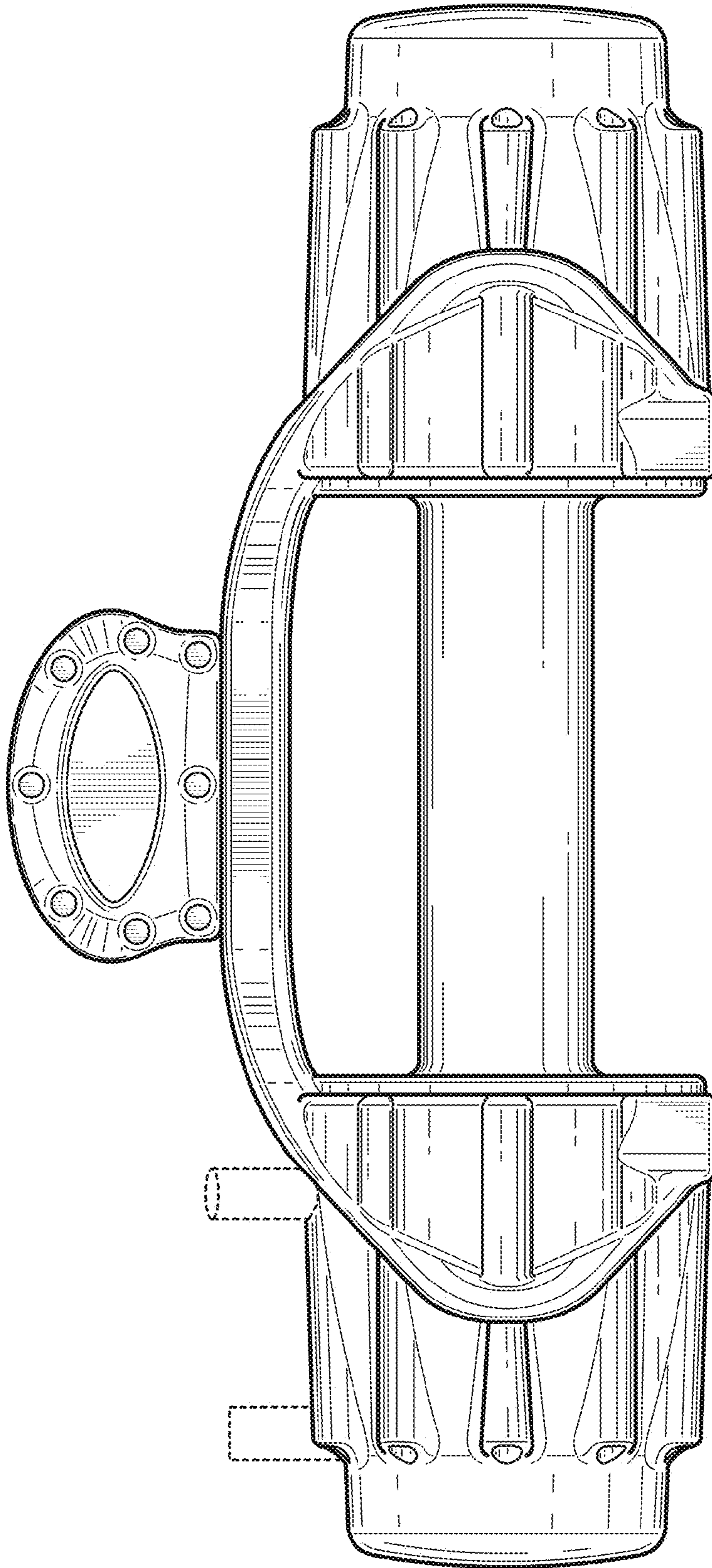


FIG. 4

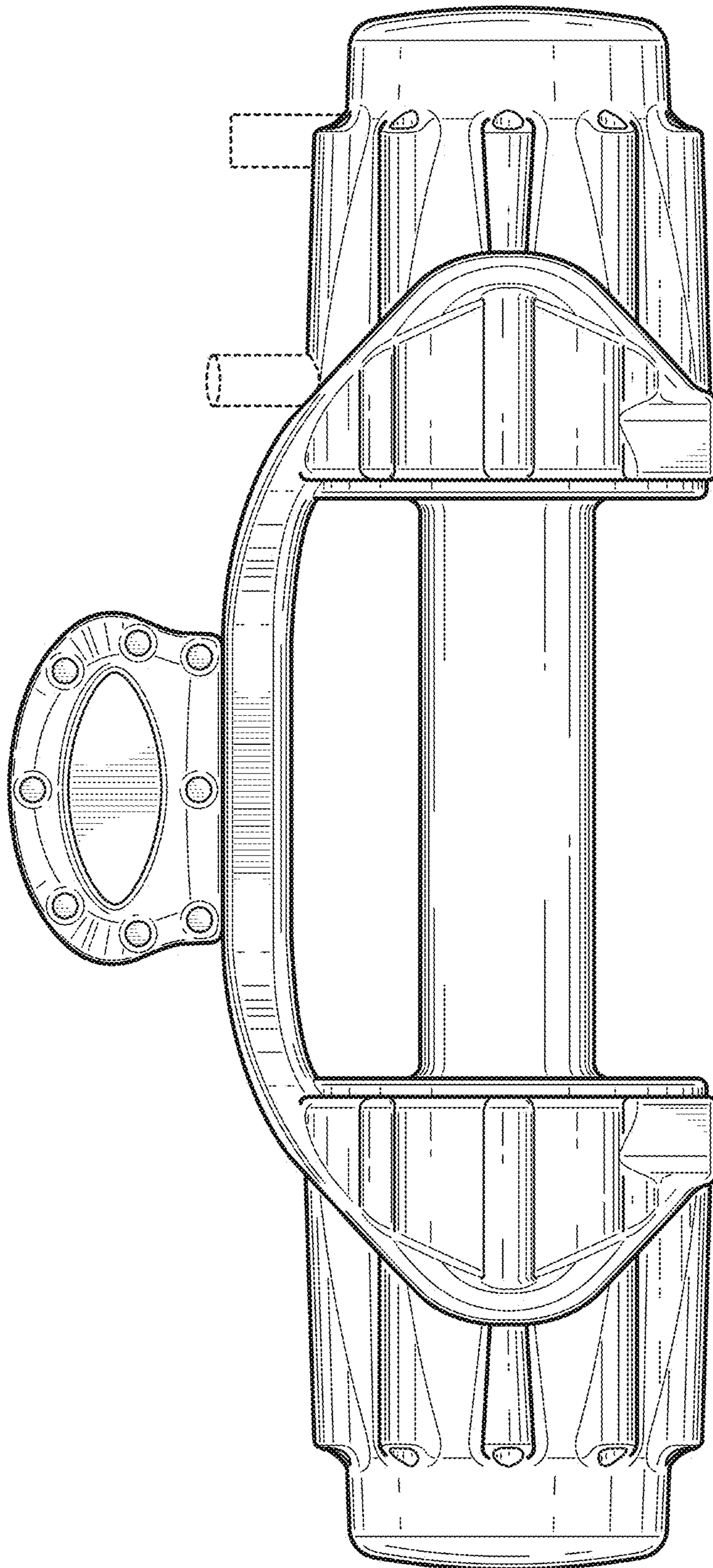


FIG. 5

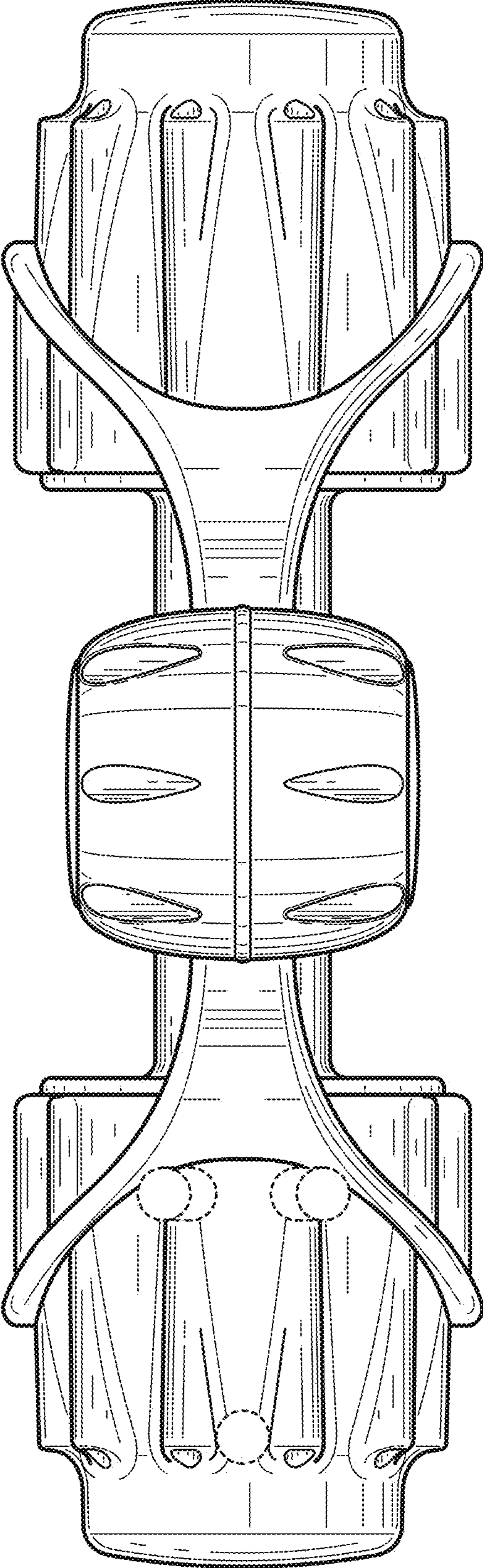


FIG. 6

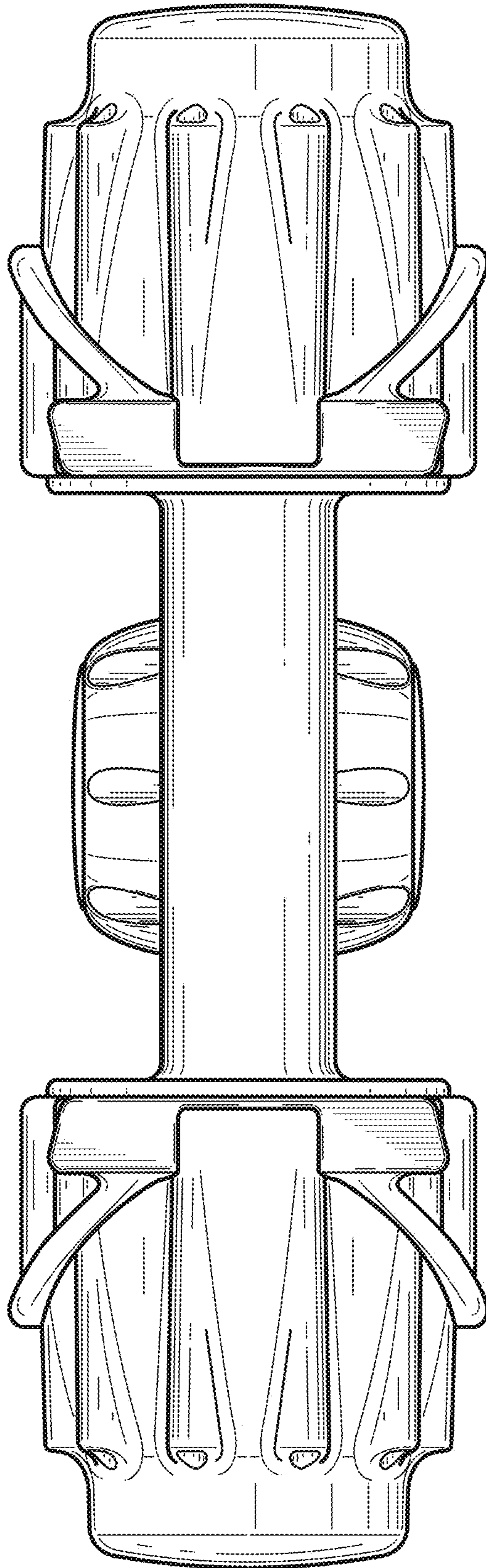


FIG. 7