



US00D742612S

(12) **United States Design Patent**
Walter

(10) **Patent No.:** **US D742,612 S**
(45) **Date of Patent:** **** Nov. 3, 2015**

(54) **CART**
(71) Applicant: **AMSA, Inc.**, Boulder, CO (US)
(72) Inventor: **Ivor Michel Walter**, Boulder, CO (US)
(73) Assignee: **AMSA, Inc.**, Boulder, CO (US)
(**) Term: **14 Years**

D493,594 S * 7/2004 Prather et al. D34/21
D520,209 S 5/2006 Duchene
D548,919 S 8/2007 Dietzel et al.
D648,914 S * 11/2011 Walter D34/21
D698,114 S * 1/2014 Smith et al. D34/21
2004/0051263 A1 3/2004 Prather et al.
2010/0078902 A1 4/2010 Lee et al.
2013/0207362 A1* 8/2013 Smith 280/47.34

(Continued)

(21) Appl. No.: **29/496,330**
(22) Filed: **Jul. 11, 2014**
(51) **LOC (10) Cl.** **12-02**
(52) **U.S. Cl.**
USPC **D34/21**
(58) **Field of Classification Search**
USPC D34/12-27; 280/33.997, 47.35, 47.38
CPC B62B 3/02; B62B 3/10; B62B 3/006;
B62B 3/1404; B62B 3/002; B62B 3/027;
B62B 3/001; B62B 3/04; B62B 3/102; B62B
3/1408
See application file for complete search history.

OTHER PUBLICATIONS

MarkeTools Shopping carts Scan of website [http://www.marketools.net/shoppingcarts.html] showing prior art carts manufactured by MarkeTools.

(Continued)

Primary Examiner — Cynthia Ramirez

(74) *Attorney, Agent, or Firm* — Margaret Polson; Polson Intellectual Property Law, PC

(57) **CLAIM**

The ornamental design for a cart, as shown and described.

DESCRIPTION

FIG. 1 is a front perspective view of our new design for a cart, the wheels and the handle, back gate and child seat being shown in broken lines, which show environmental subject matter and/or unclaimed borders and form no part of the claimed design.

FIG. 2 is a side elevation view of the right and left sides, which are mirror images, of FIG. 1.

FIG. 3 is a front side elevation view of FIG. 1.

FIG. 4 is a back side elevation view of FIG. 1.

FIG. 5 is a top plan view of FIG. 1; and,

FIG. 6 is a bottom plan view of FIG. 1.

The features shown in broken lines in the drawing depict environmental subject matter only and form no part of the claimed design.

1 Claim, 5 Drawing Sheets

(56) **References Cited**

U.S. PATENT DOCUMENTS

4,545,591 A 10/1985 Balba
4,632,411 A * 12/1986 Badger 280/33.991
D321,577 S 11/1991 Ellis et al.
5,265,893 A 11/1993 Ettlin
D348,549 S * 7/1994 Trubiano D34/20
5,702,114 A 12/1997 Downing et al.
5,769,435 A 6/1998 Nishida
5,810,372 A * 9/1998 Arendt 280/33.992
D399,625 S 10/1998 Murphy et al.
D431,704 S 10/2000 Perez
6,406,041 B1 6/2002 Rea
6,422,580 B1 7/2002 Hunter
D463,647 S * 9/2002 Deal et al. D34/21
6,543,794 B1 4/2003 Tyree
6,644,674 B2 11/2003 Simard



(56)

References Cited

U.S. PATENT DOCUMENTS

2014/0353935 A1* 12/2014 Smith et al. 280/33.997
2015/0053652 A1* 2/2015 Peters et al. 219/74

OTHER PUBLICATIONS

<http://www.premiercarts.com/metalcarts.htm> Plastic Shopping
Carts.

<http://www.premiercarts.com/plasticcarts.htm> Metal Shopping
Carts.

Unarco Model 90 Scan of brochure showing prior art cart manufac-
tured by Unarco retrieved from [[http://www.unarco.com/M90U.
pdf](http://www.unarco.com/M90U.pdf)].

Unarco Model 95 Scan of brochure showing prior art cart manufac-
tured by Unarco retrieved from [[http://www.unarco.com/M95U.
pdf](http://www.unarco.com/M95U.pdf)].

* cited by examiner



FIG.1

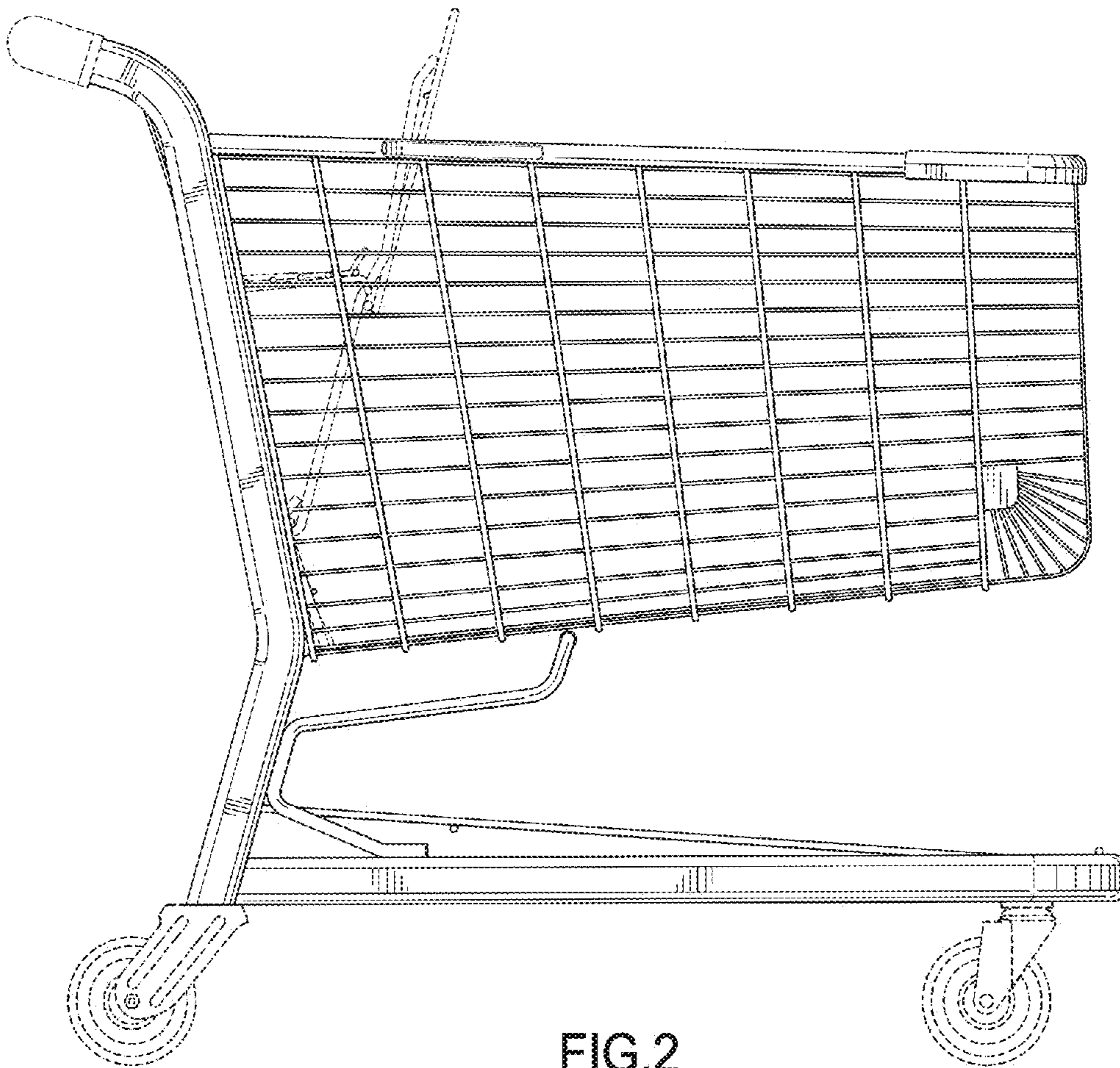


FIG.2

3/5

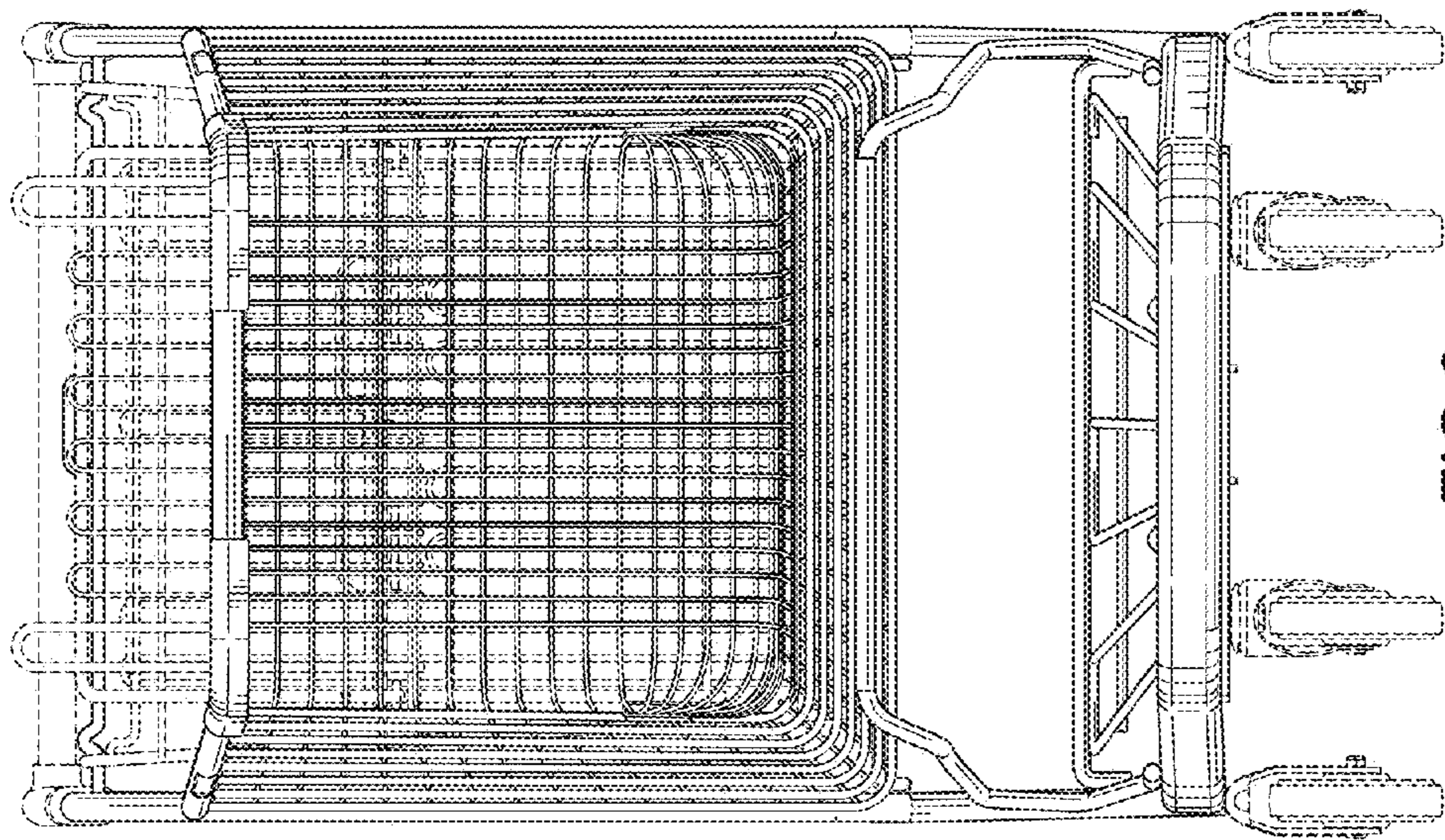


FIG. 3

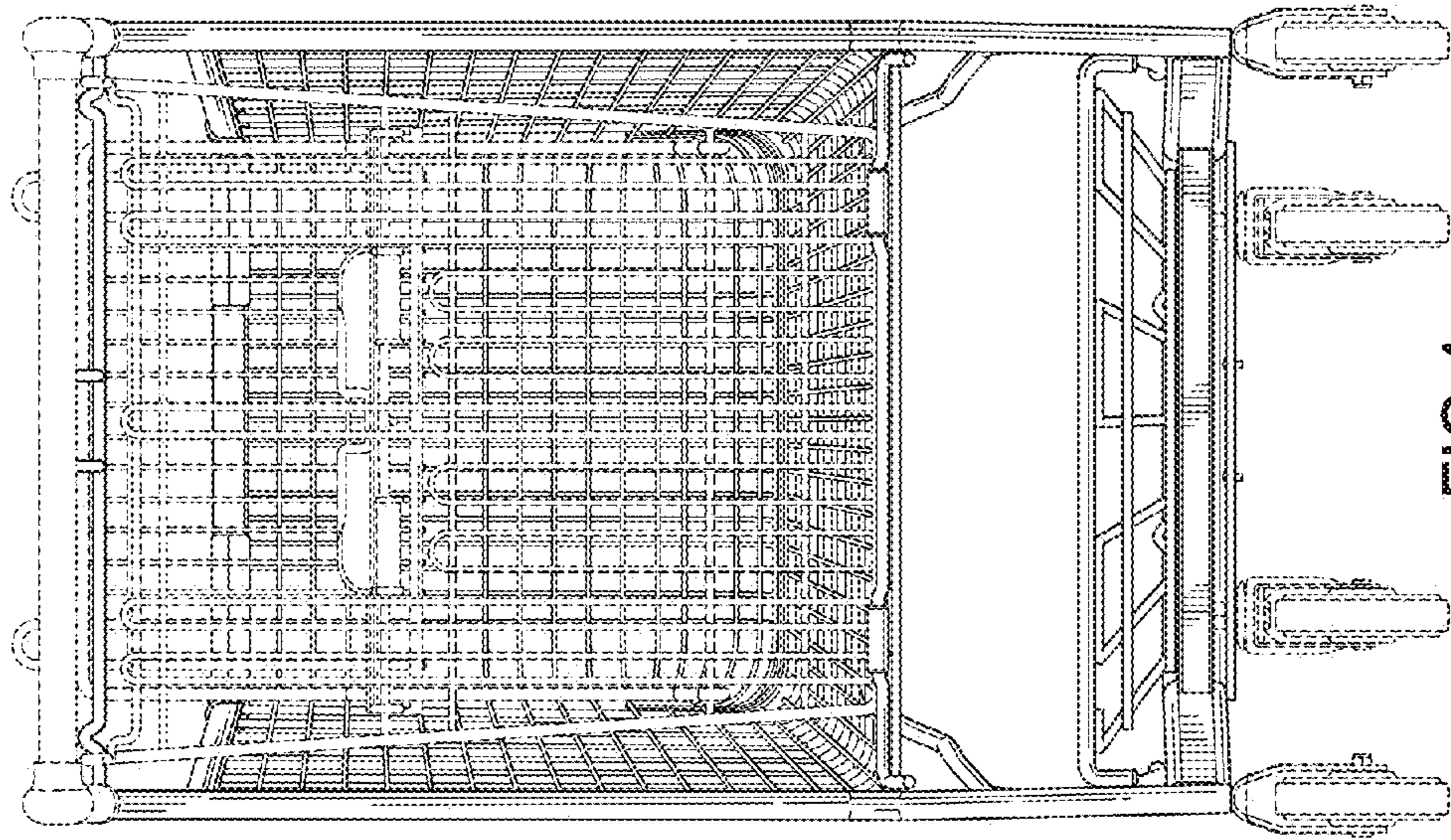


FIG. 4

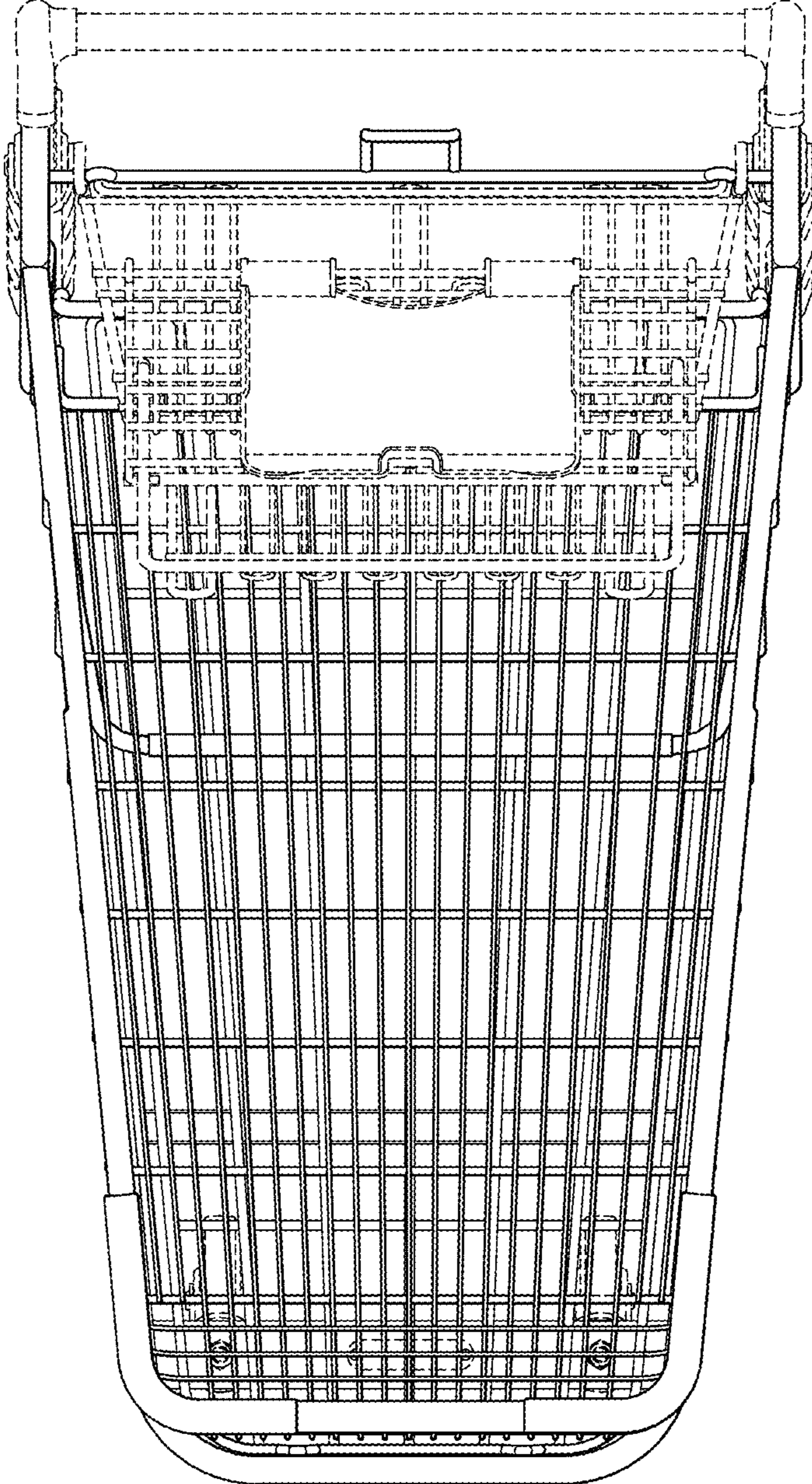


FIG.5

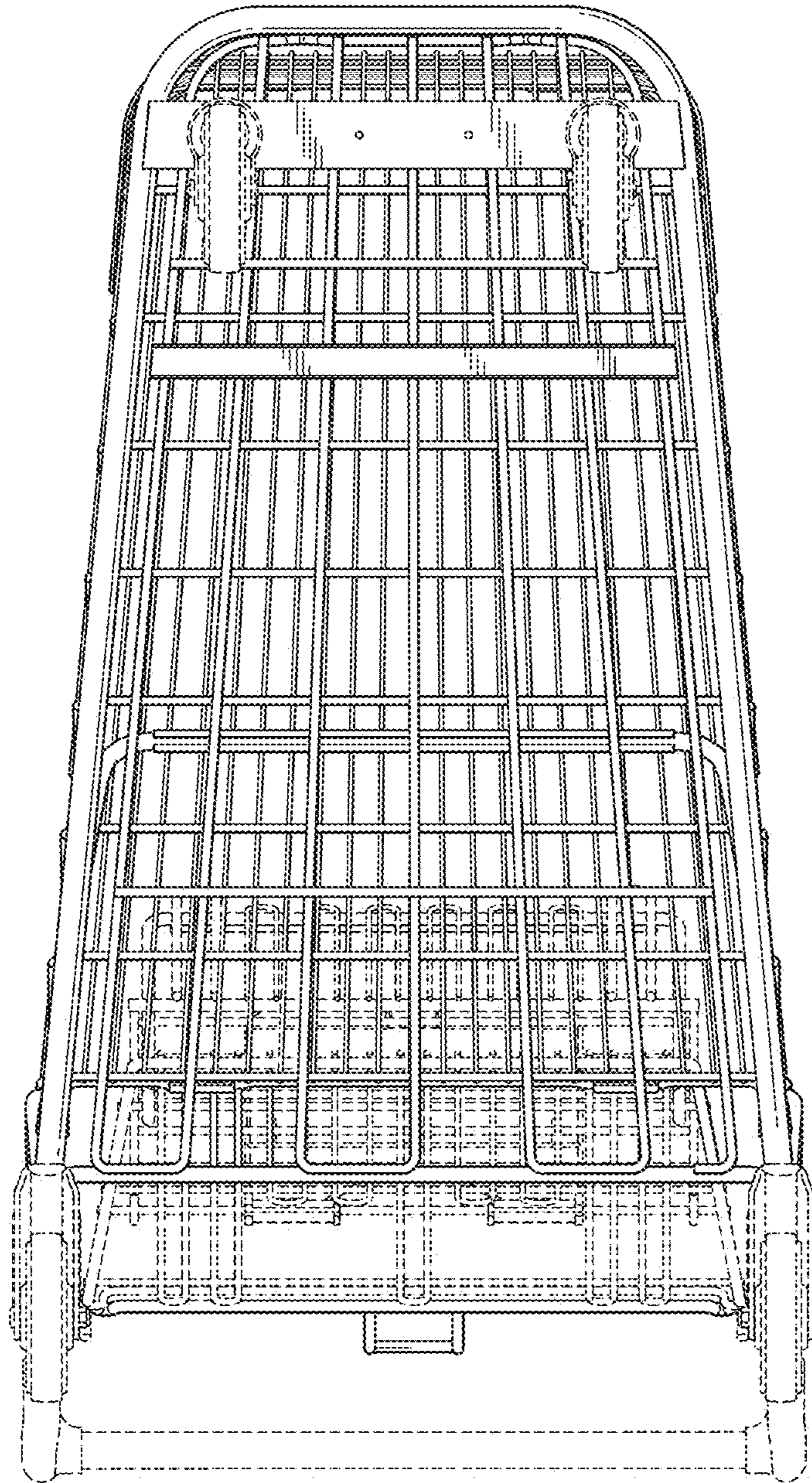


FIG. 6