



US00D742610S

(12) **United States Design Patent**  
**Arvinte et al.**

(10) **Patent No.:** **US D742,610 S**  
(45) **Date of Patent:** **\*\* Nov. 3, 2015**

- (54) **LADDER PAINT PAIL**
- (71) Applicant: **A. RICHARD TOOLS. CO.,**  
Berthierville (CA)
- (72) Inventors: **Romeo Arvinte**, Laval-des-Rapides  
(CA); **Francois Panfili**, Berthierville  
(CA)
- (73) Assignee: **A. RICHARD TOOLS CO.,**  
Berthierville, Quebec (CA)
- (\*\*) Term: **14 Years**
- (21) Appl. No.: **29/489,941**
- (22) Filed: **May 5, 2014**
- (51) **LOC (10) Cl.** ..... **07-07**
- (52) **U.S. Cl.**  
USPC ..... **D32/53.1**
- (58) **Field of Classification Search**  
USPC ..... D32/53, 53.1, 54; 15/264; 220/696;  
248/346.03, 210  
CPC ..... B65D 71/00; E06C 7/14; E06C 7/146  
See application file for complete search history.

- D551,411 S \* 9/2007 Byers ..... D32/53.1
- D581,119 S \* 11/2008 Bergman ..... D32/53.1
- 7,913,964 B1 \* 3/2011 Kennedy ..... E06C 7/14  
248/210
- 8,636,144 B1 \* 1/2014 Lawery ..... E06C 7/14  
182/129

\* cited by examiner

*Primary Examiner* — Robin V Webster

(74) *Attorney, Agent, or Firm* — Merchant & Gould P.C.

(57) **CLAIM**

The ornamental design for a ladder paint pail, as shown and described.

**DESCRIPTION**

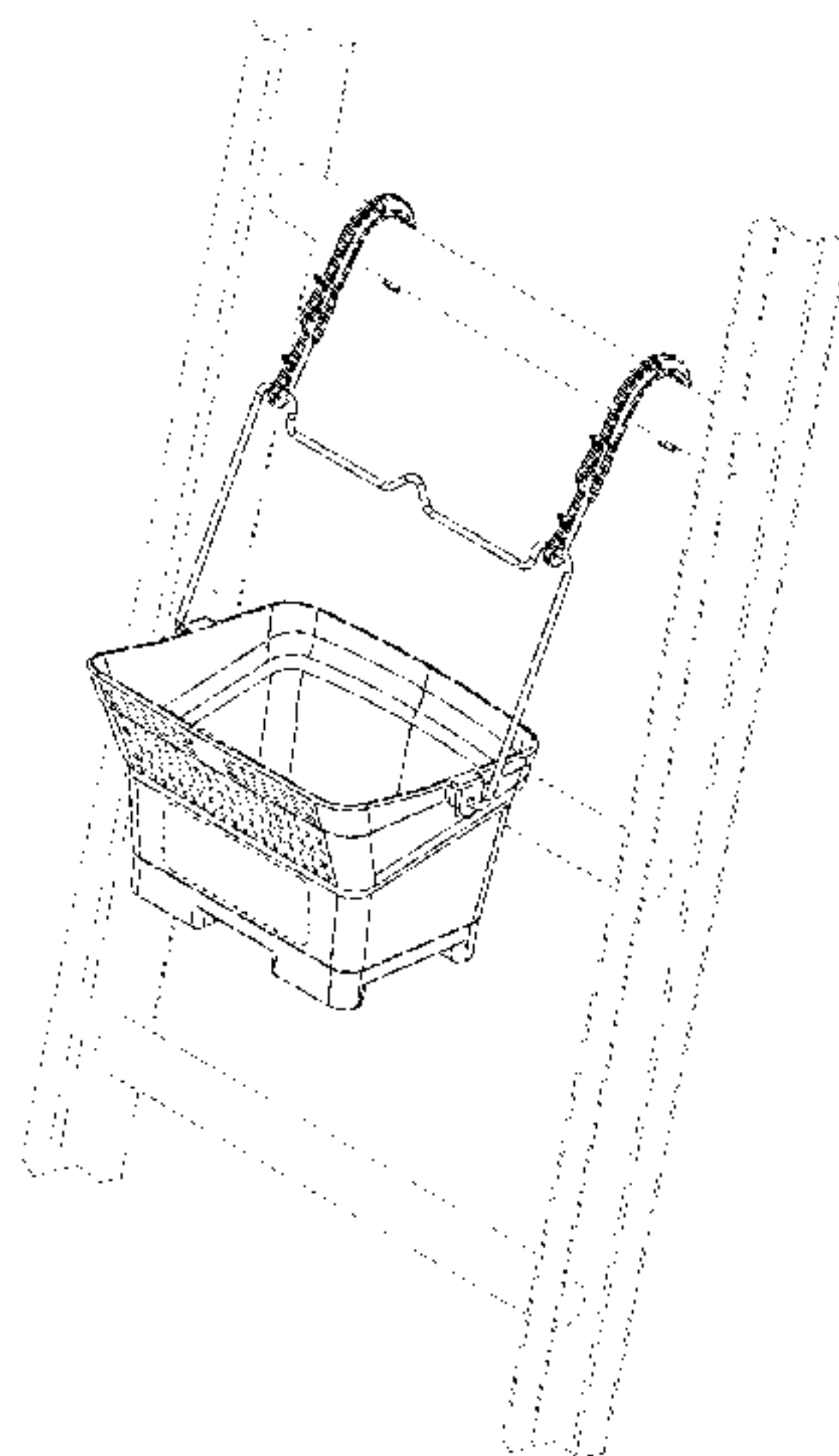
FIG. 1 is a front perspective view of a ladder paint pail showing our new design;  
 FIG. 2 is a rear perspective view thereof;  
 FIG. 3 is a bottom perspective view thereof;  
 FIG. 4 is a front view thereof;  
 FIG. 5 is a rear view thereof;  
 FIG. 6 is right side view thereof;  
 FIG. 7 is a left side view thereof;  
 FIG. 8 is a top view thereof;  
 FIG. 9 is a bottom view thereof;  
 FIG. 10 is a front perspective view thereof in an alternate configuration;  
 FIG. 11 is a front perspective view thereof in a second alternate configuration;  
 FIG. 12 is a front perspective view thereof in a third alternate configuration;  
 FIG. 13 is a perspective view of the ladder paint pail of FIG. 10, and being shown cooperating with a ladder;  
 FIG. 14 is a perspective view of the ladder paint pail of FIG. 11, and being shown cooperating with a ladder; and,  
 FIG. 15 is a perspective view of the ladder paint pail of FIG. 12, and being shown cooperating with a ladder.  
 The portions shown in broken lines form no part of the claimed design.

(56) **References Cited**

U.S. PATENT DOCUMENTS

- 4,706,918 A \* 11/1987 Wilson ..... E06C 7/14  
15/257.06
- D303,304 S \* 9/1989 Sabatino ..... D32/53.1
- 5,305,977 A \* 4/1994 Roth ..... E06C 7/146  
248/210
- D355,287 S \* 2/1995 Camp, Jr. .... D32/53.1
- 5,493,751 A \* 2/1996 Misiukowicz ..... E06C 7/146  
15/257.05
- D419,736 S \* 1/2000 Clark ..... D32/53.1
- D444,604 S \* 7/2001 Hoffert ..... D32/53.1
- 6,604,721 B2 \* 8/2003 Ahl ..... E06C 7/146  
182/129
- 7,137,168 B2 \* 11/2006 Mann ..... B44D 3/128  
15/257.06
- D535,794 S \* 1/2007 Lundy ..... D32/53.1

**1 Claim, 15 Drawing Sheets**



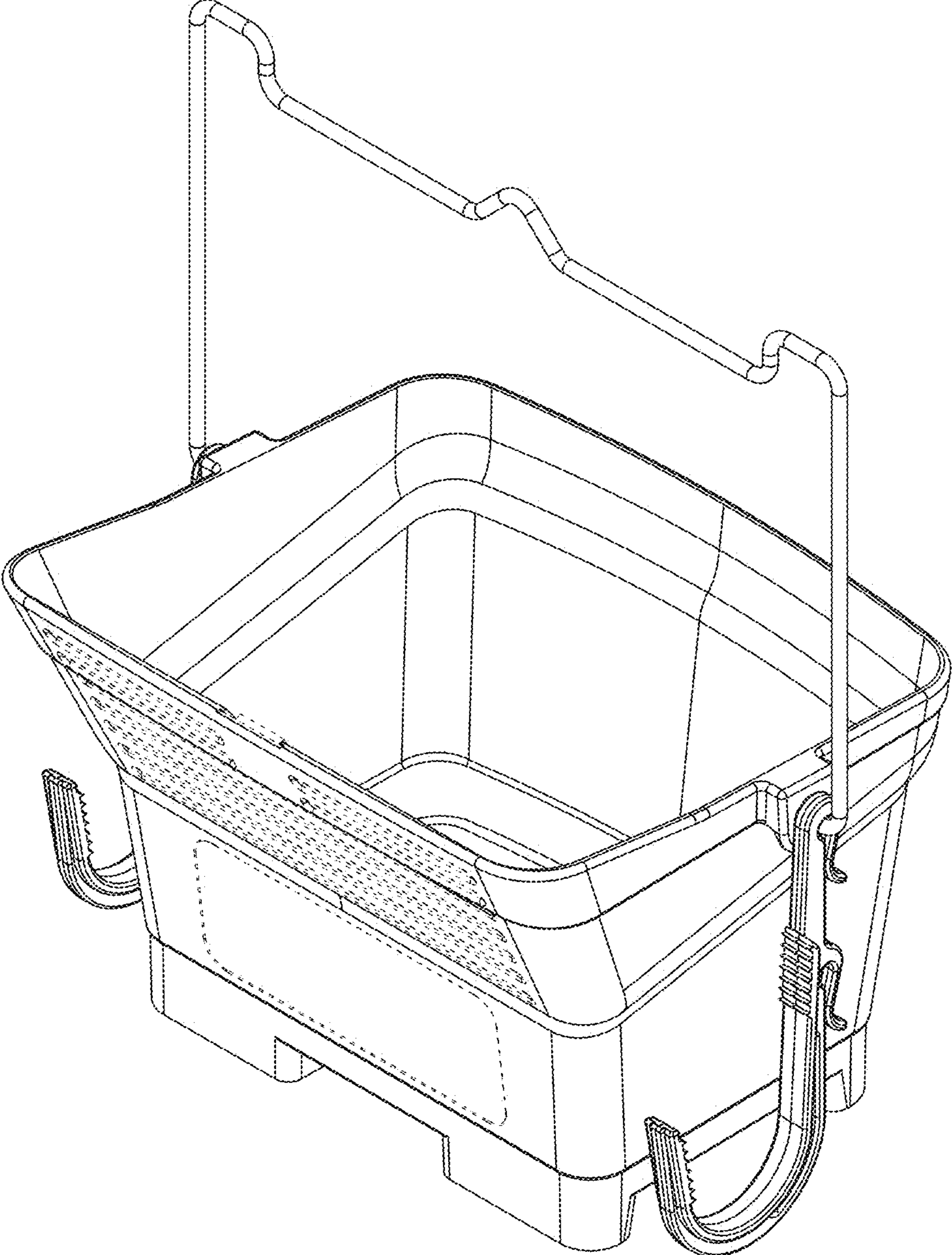


FIG. 1

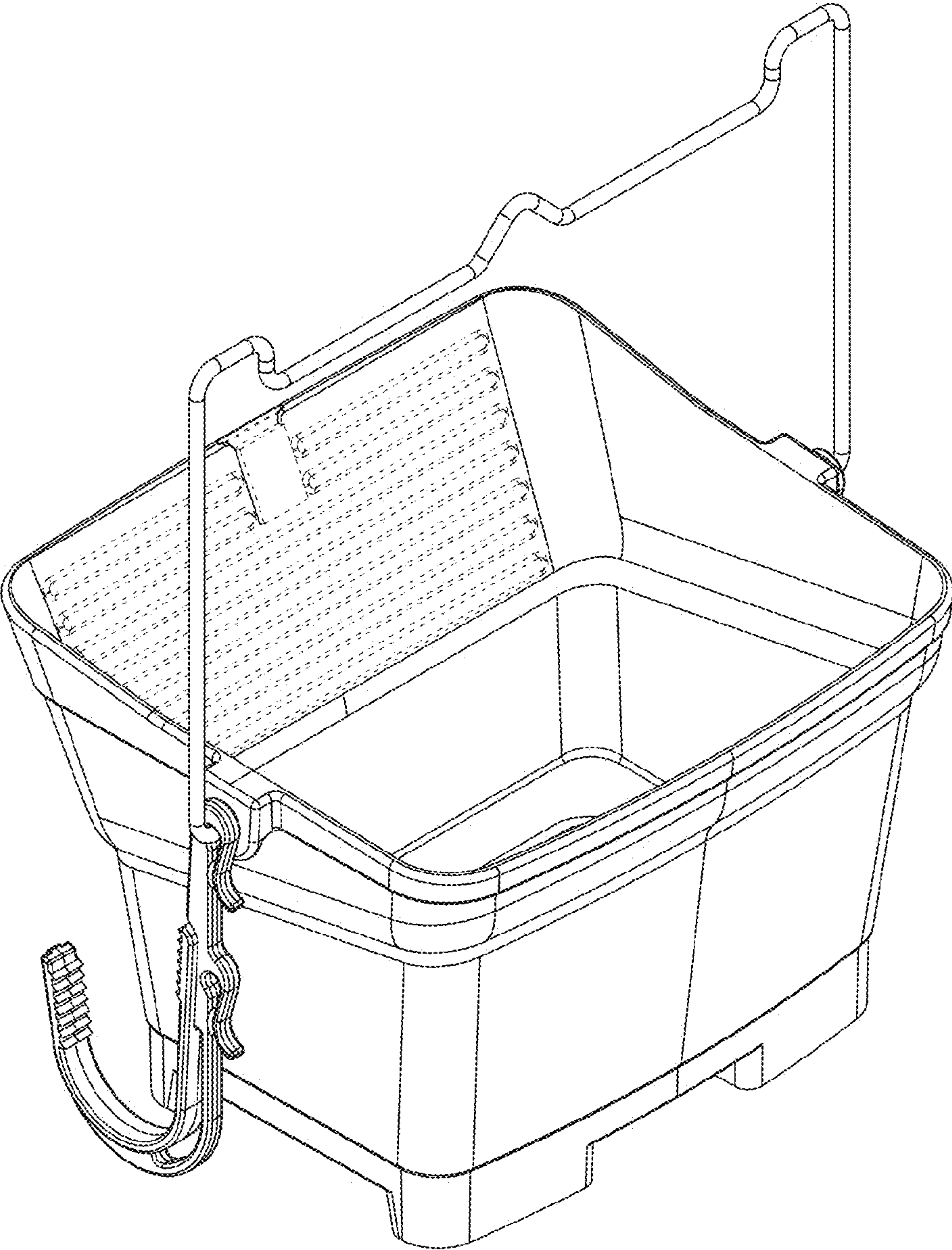


FIG. 2



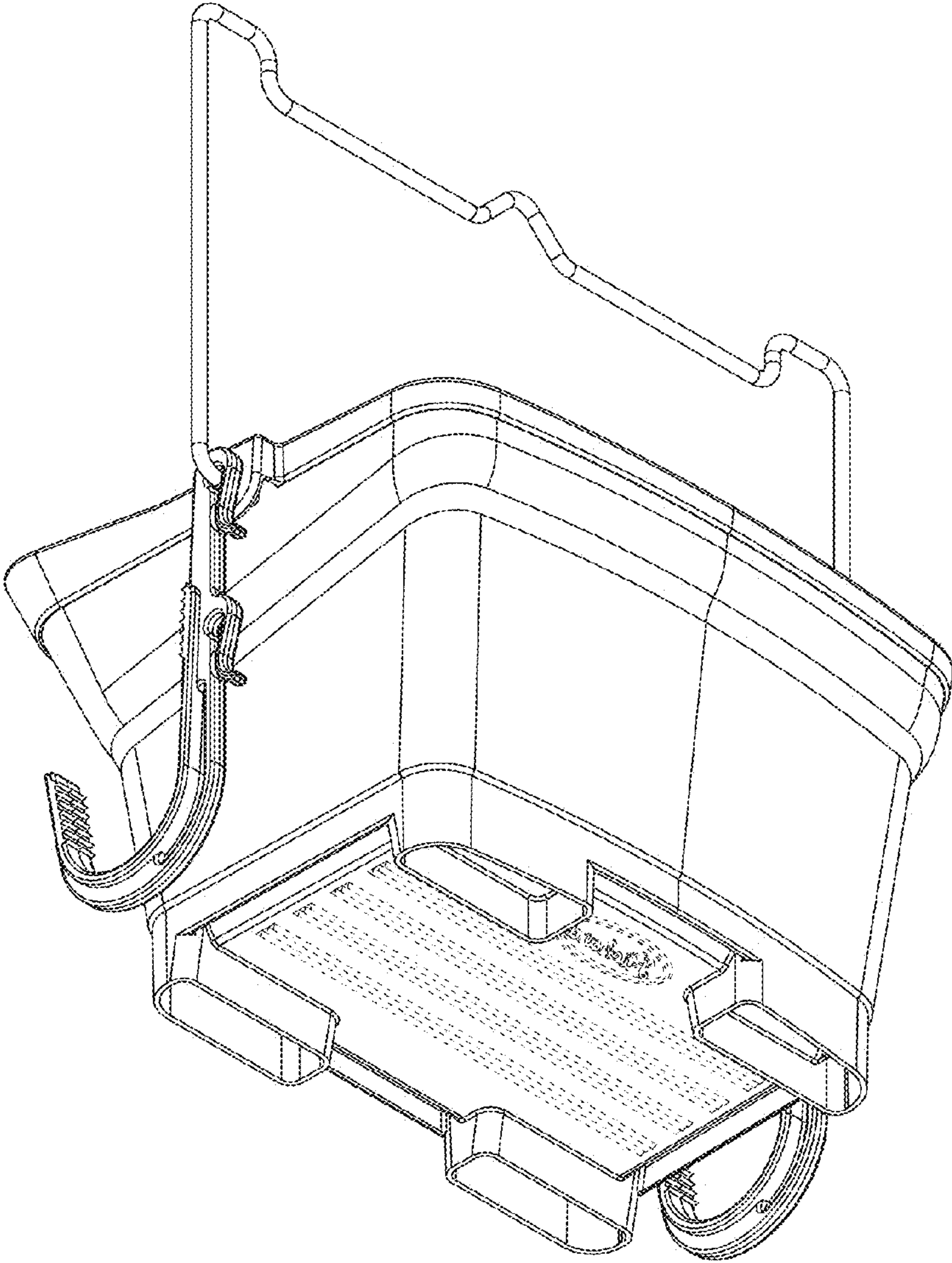


FIG. 3

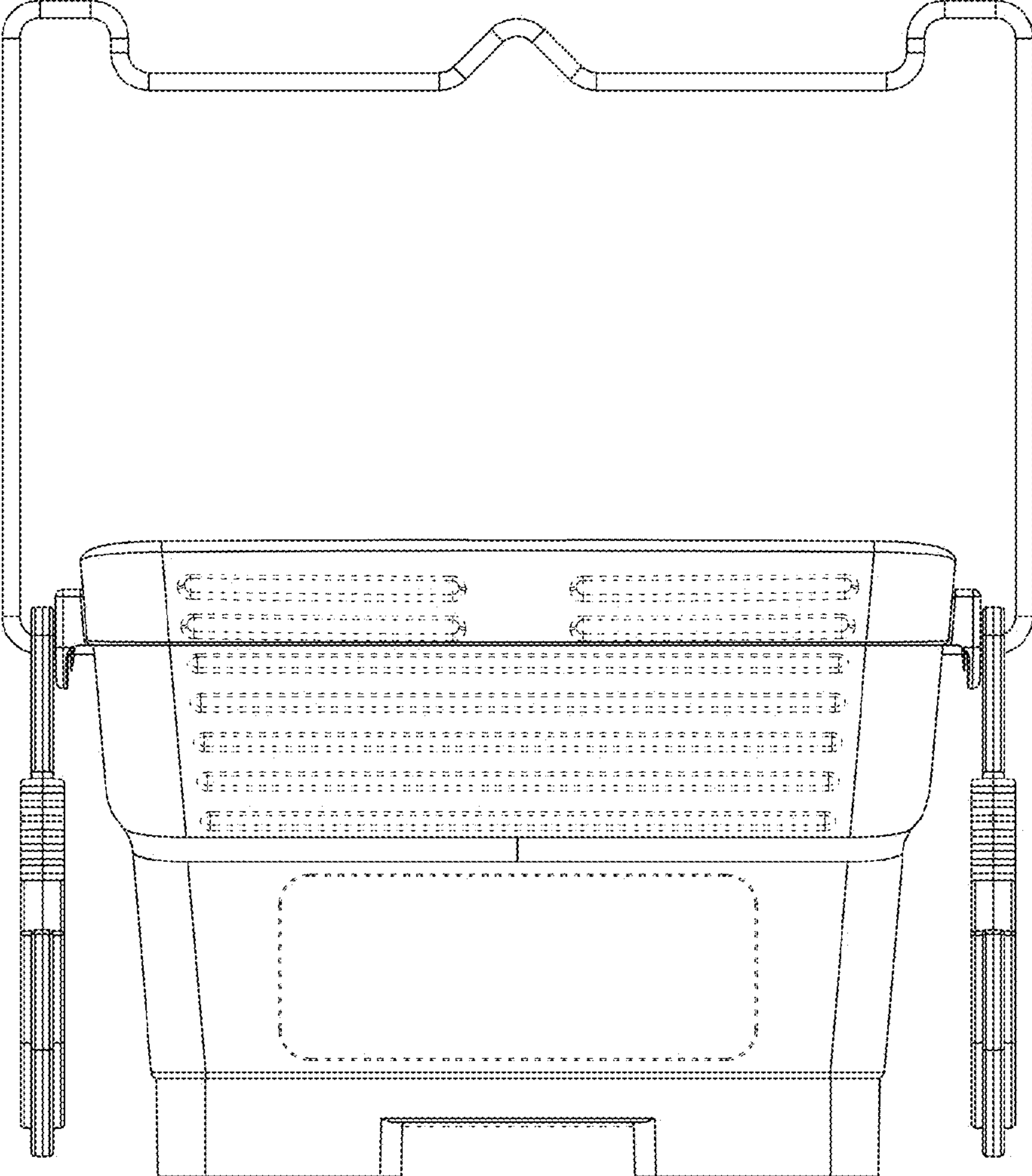


FIG. 4

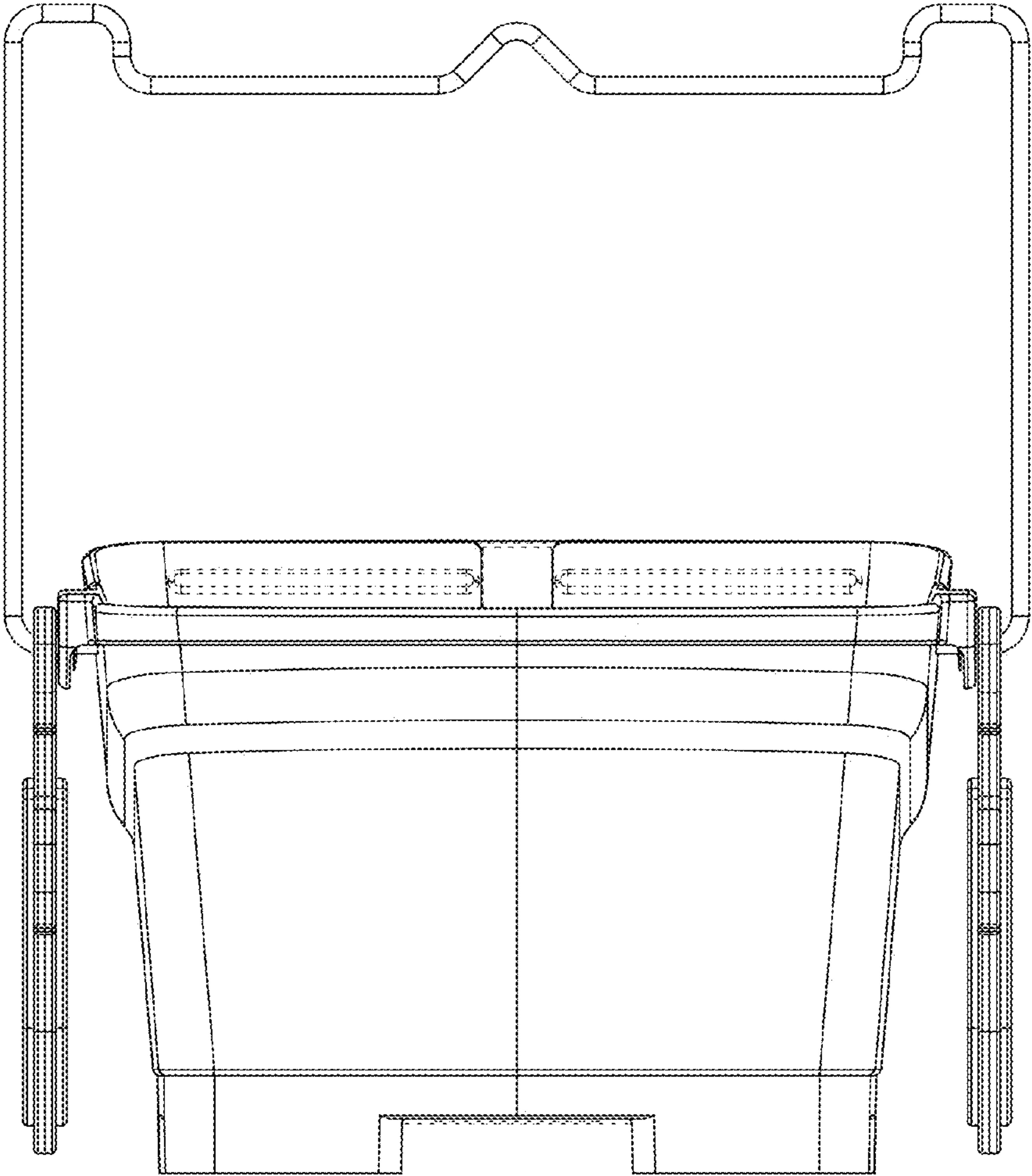


FIG. 5

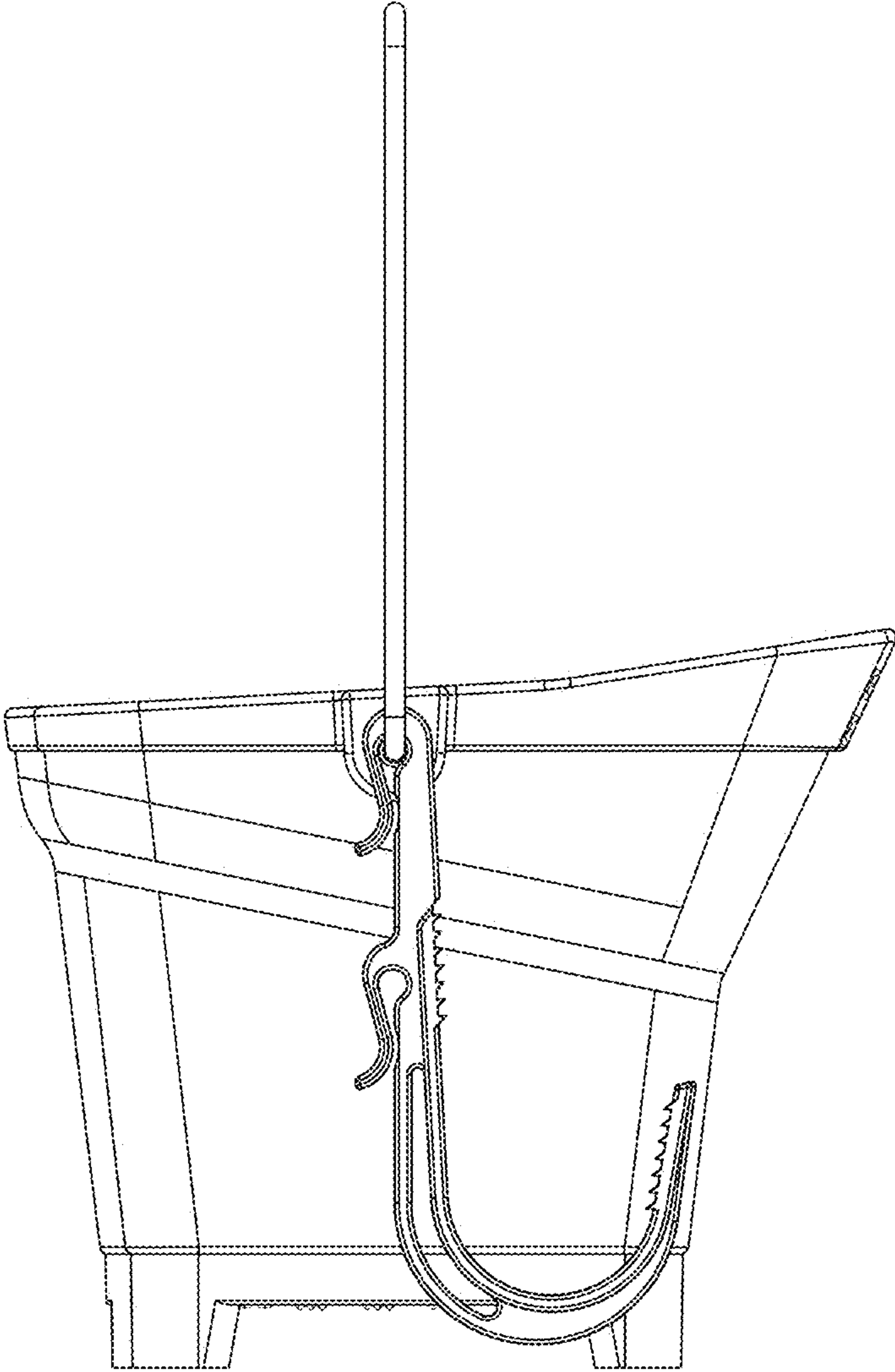


FIG. 6

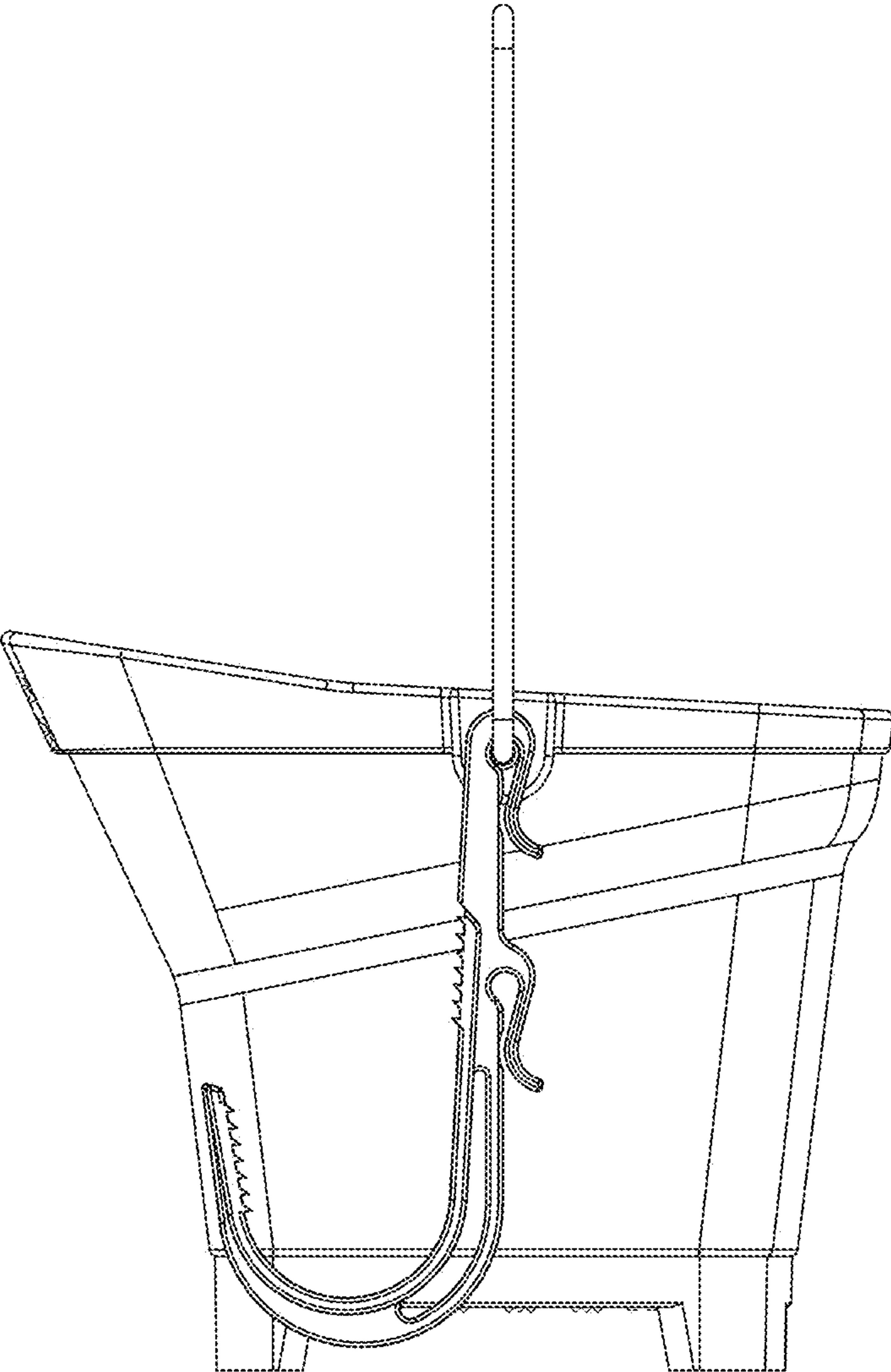


FIG. 7



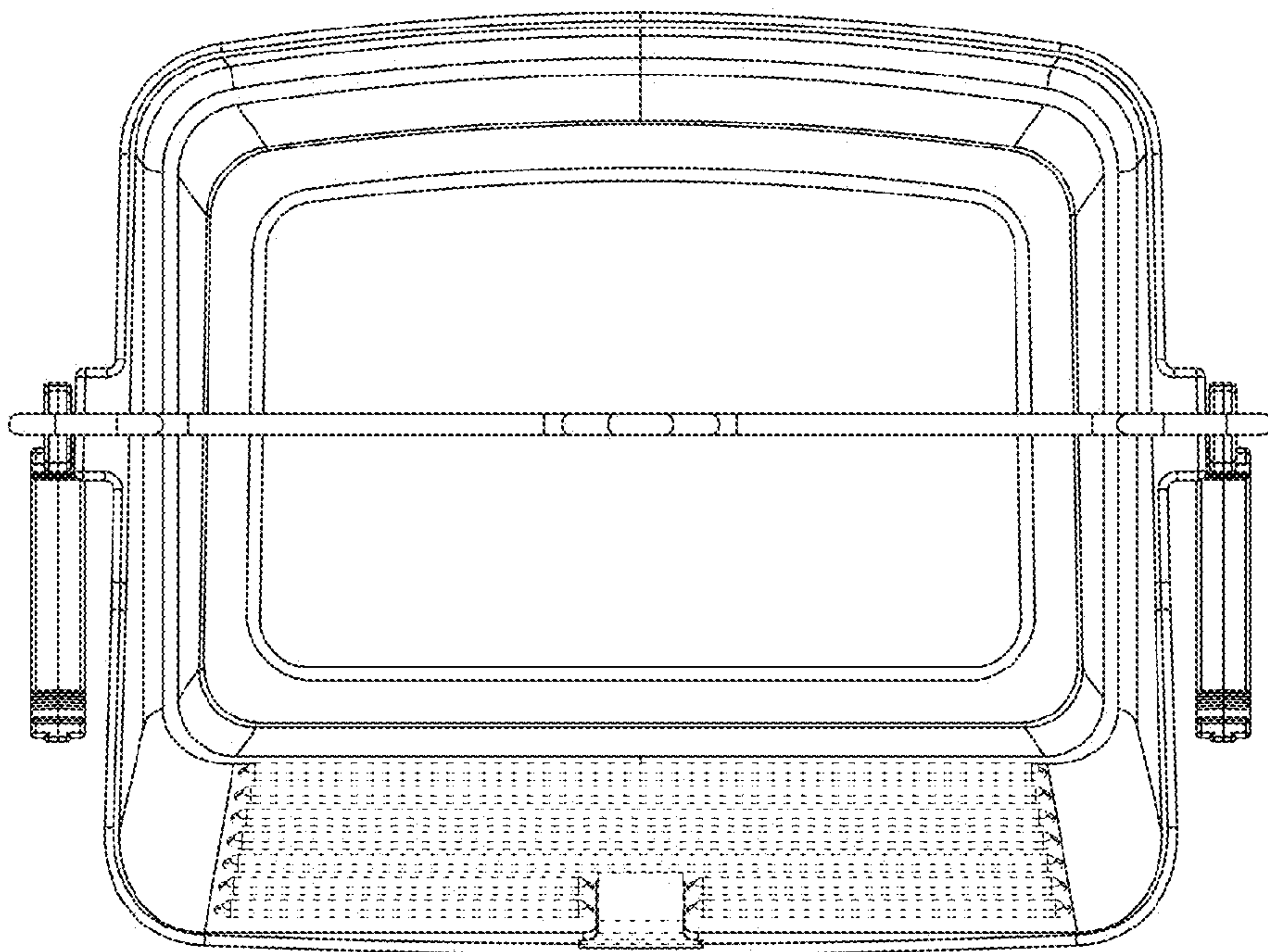


FIG. 8

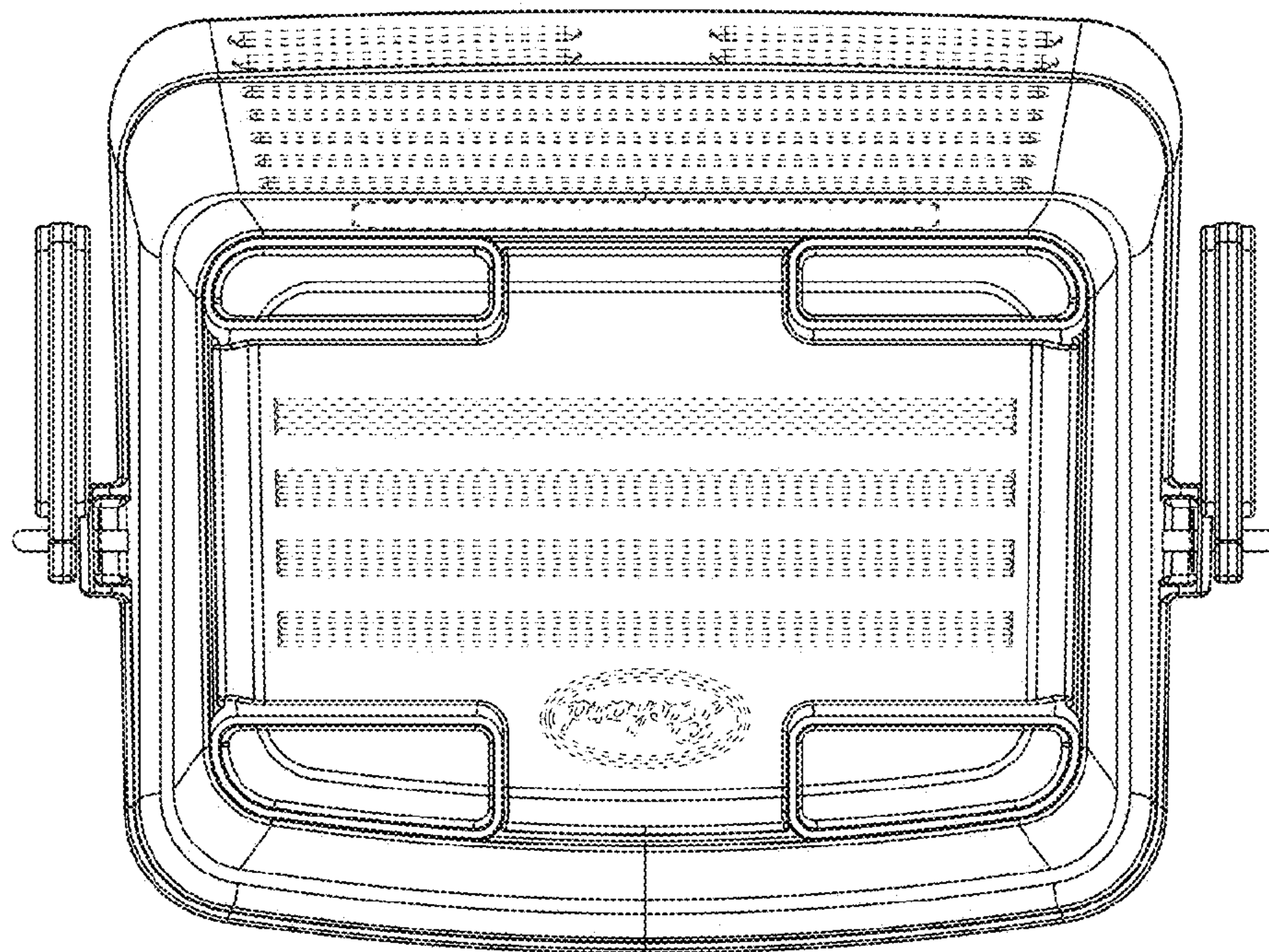


FIG. 9

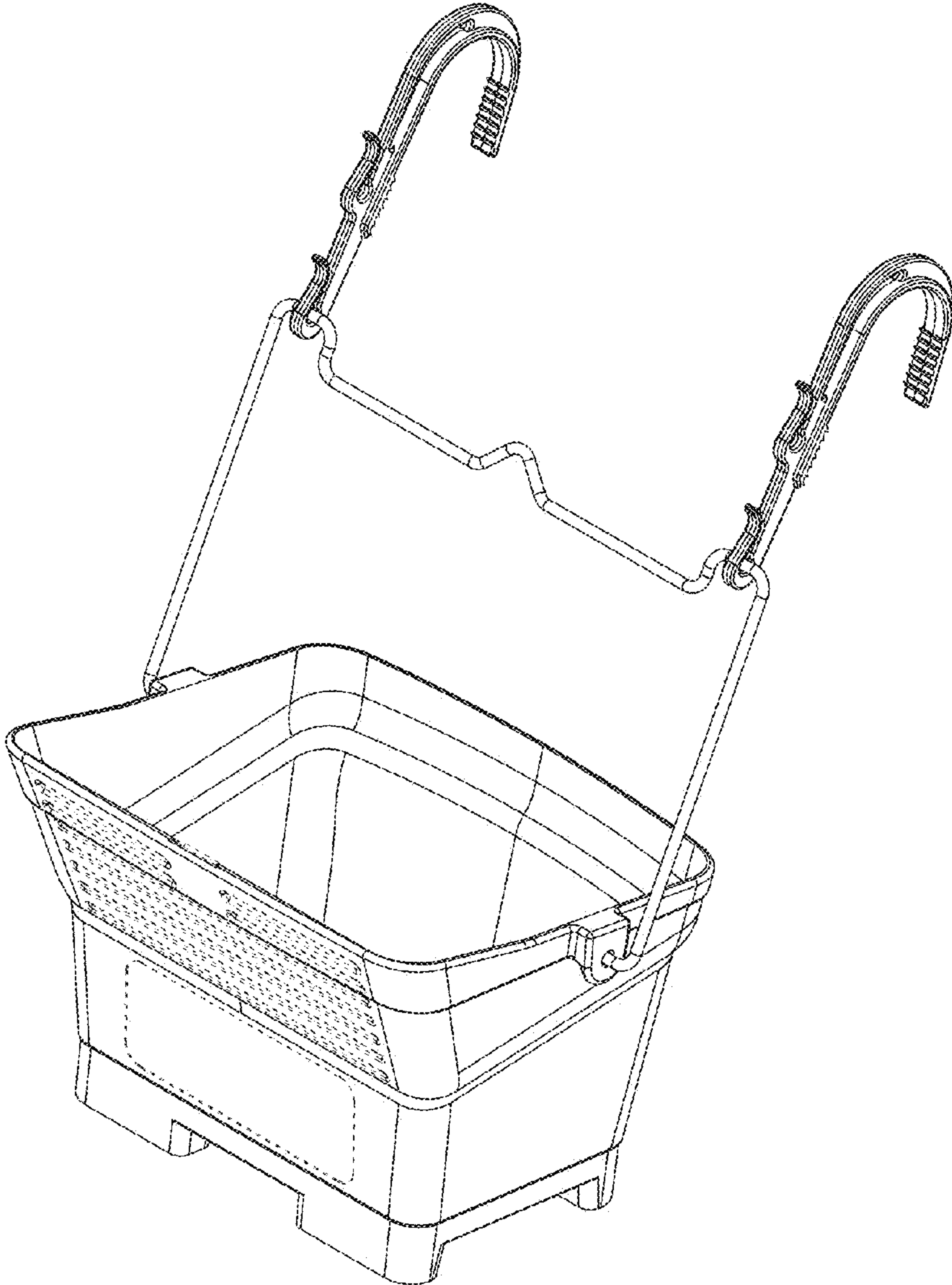


FIG. 10

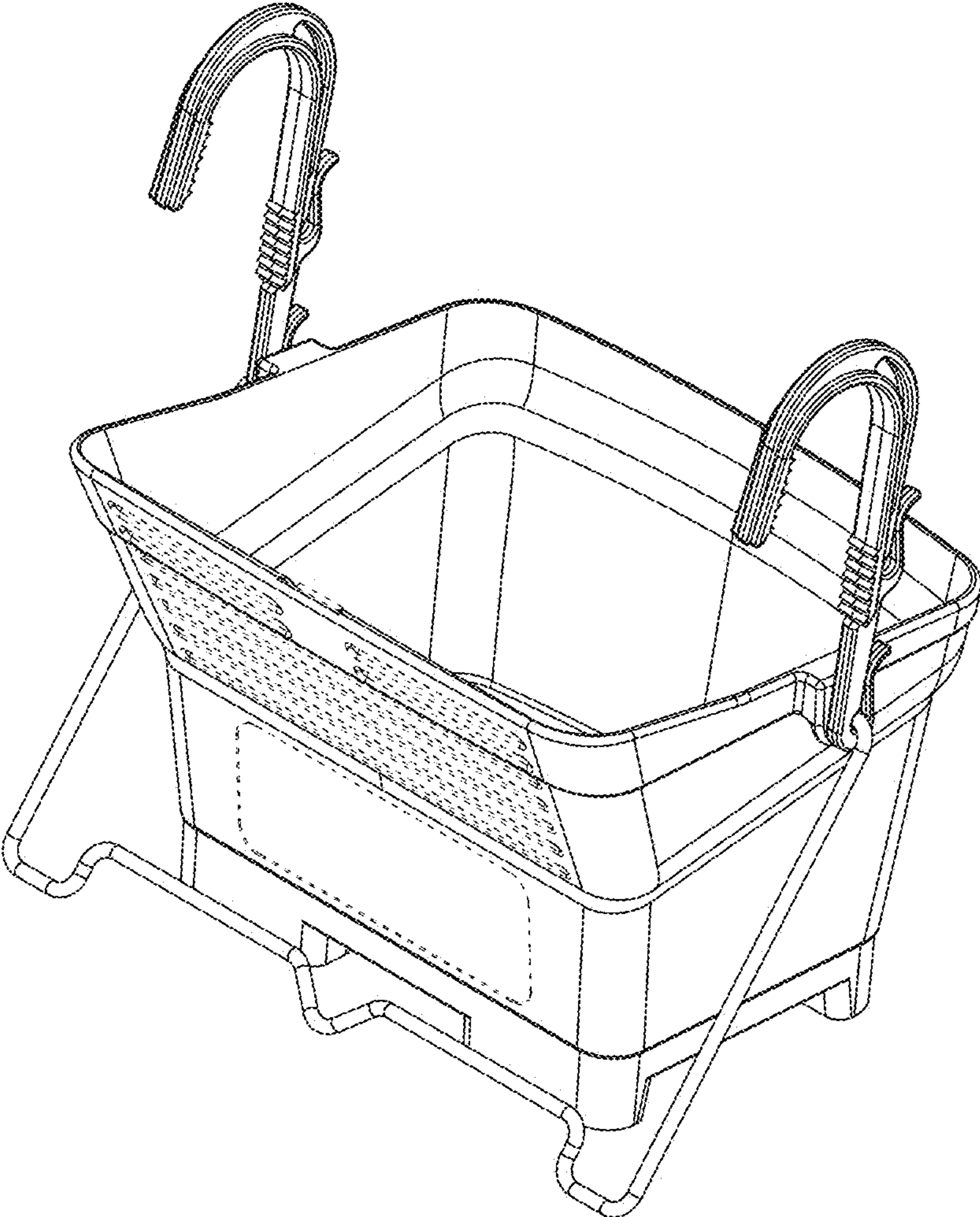


FIG. 11



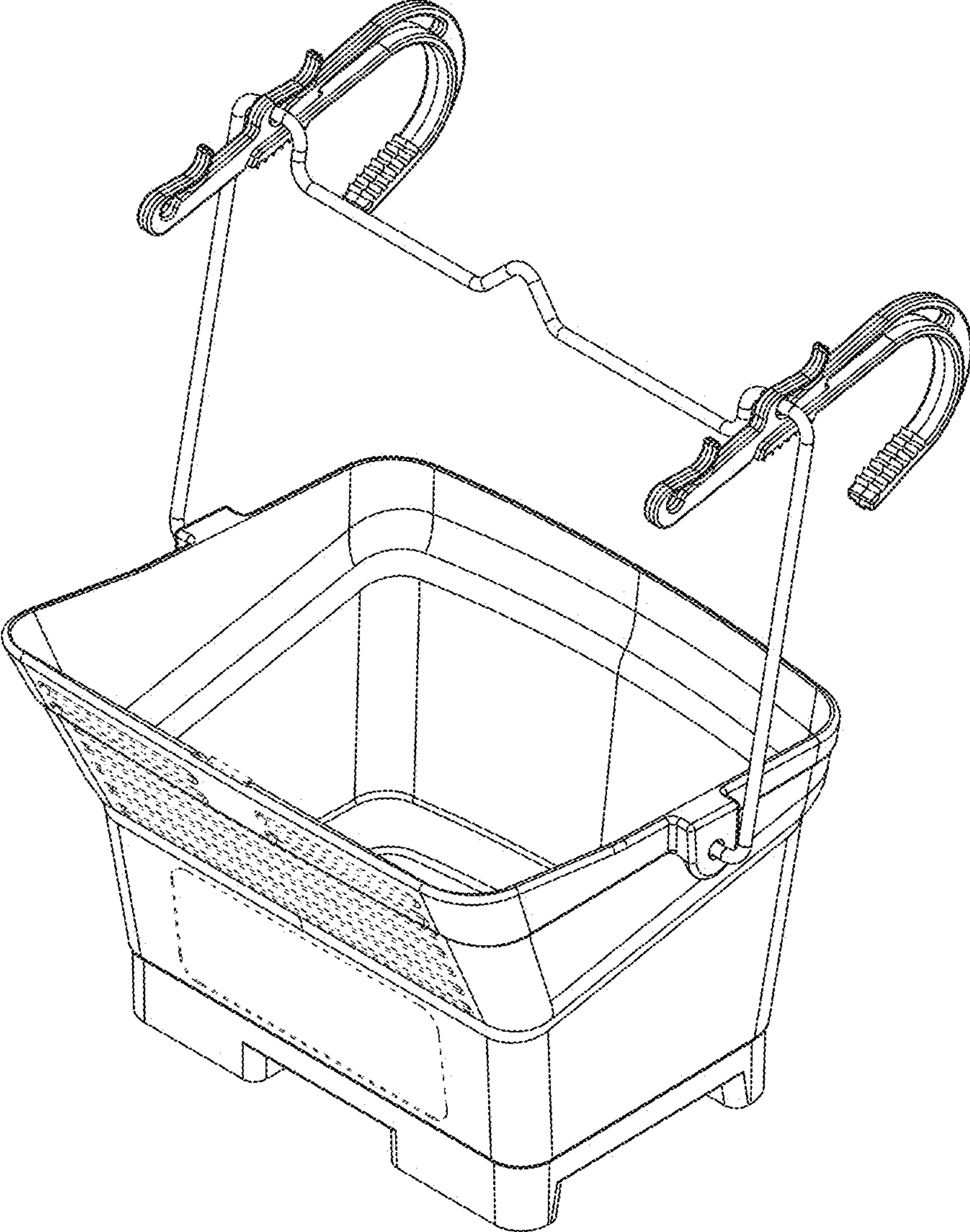


FIG. 12

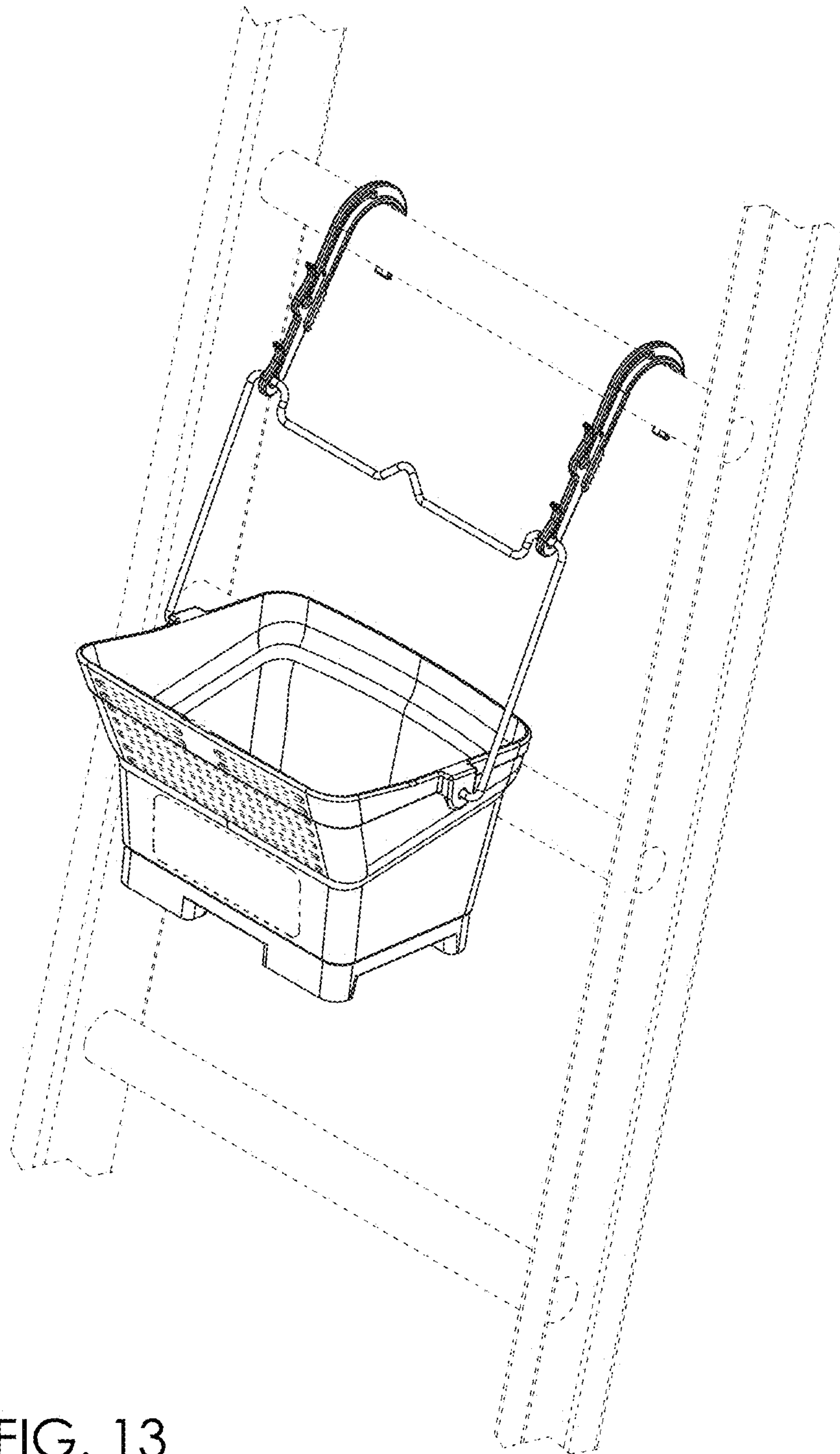


FIG. 13

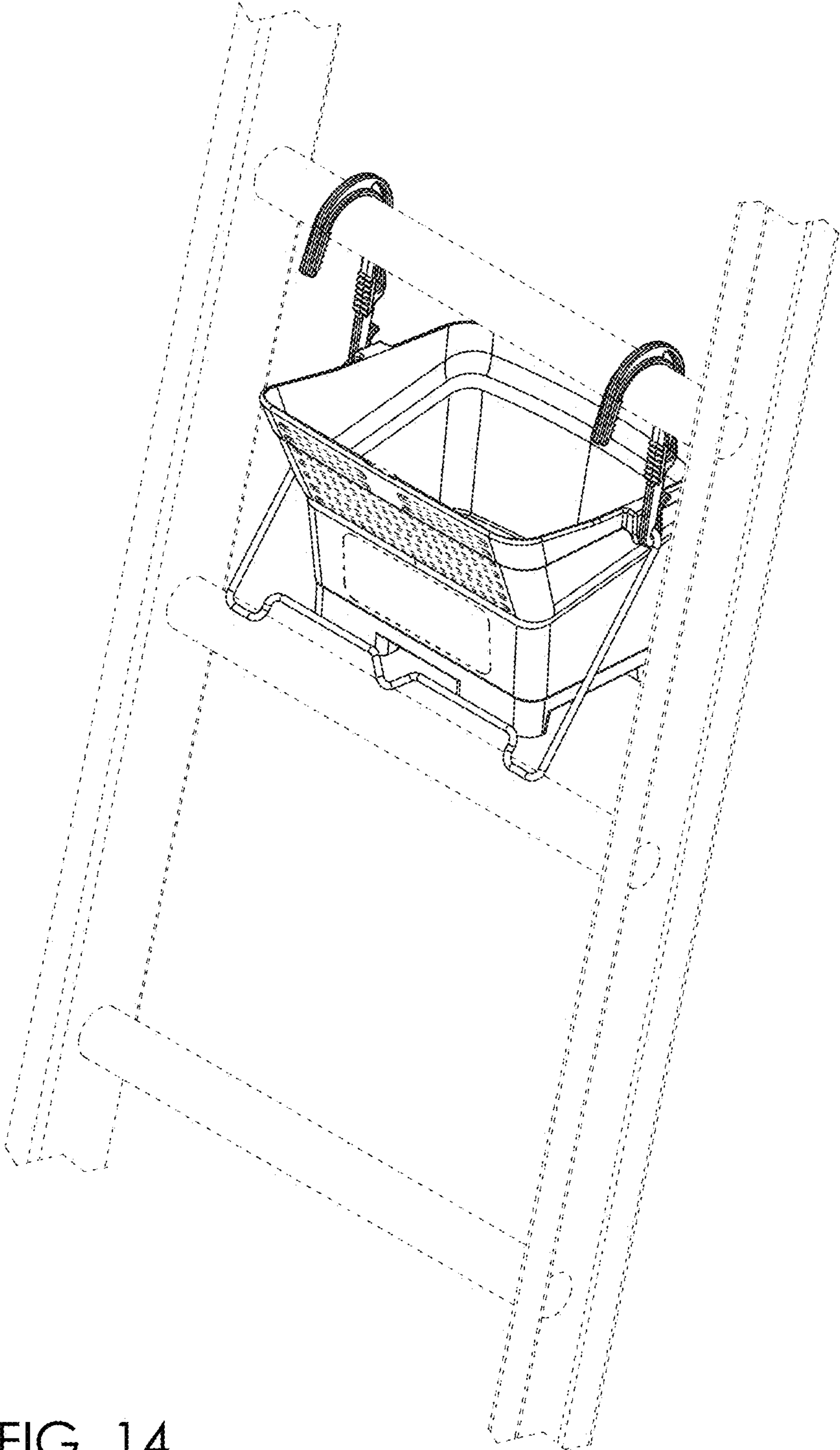


FIG. 14

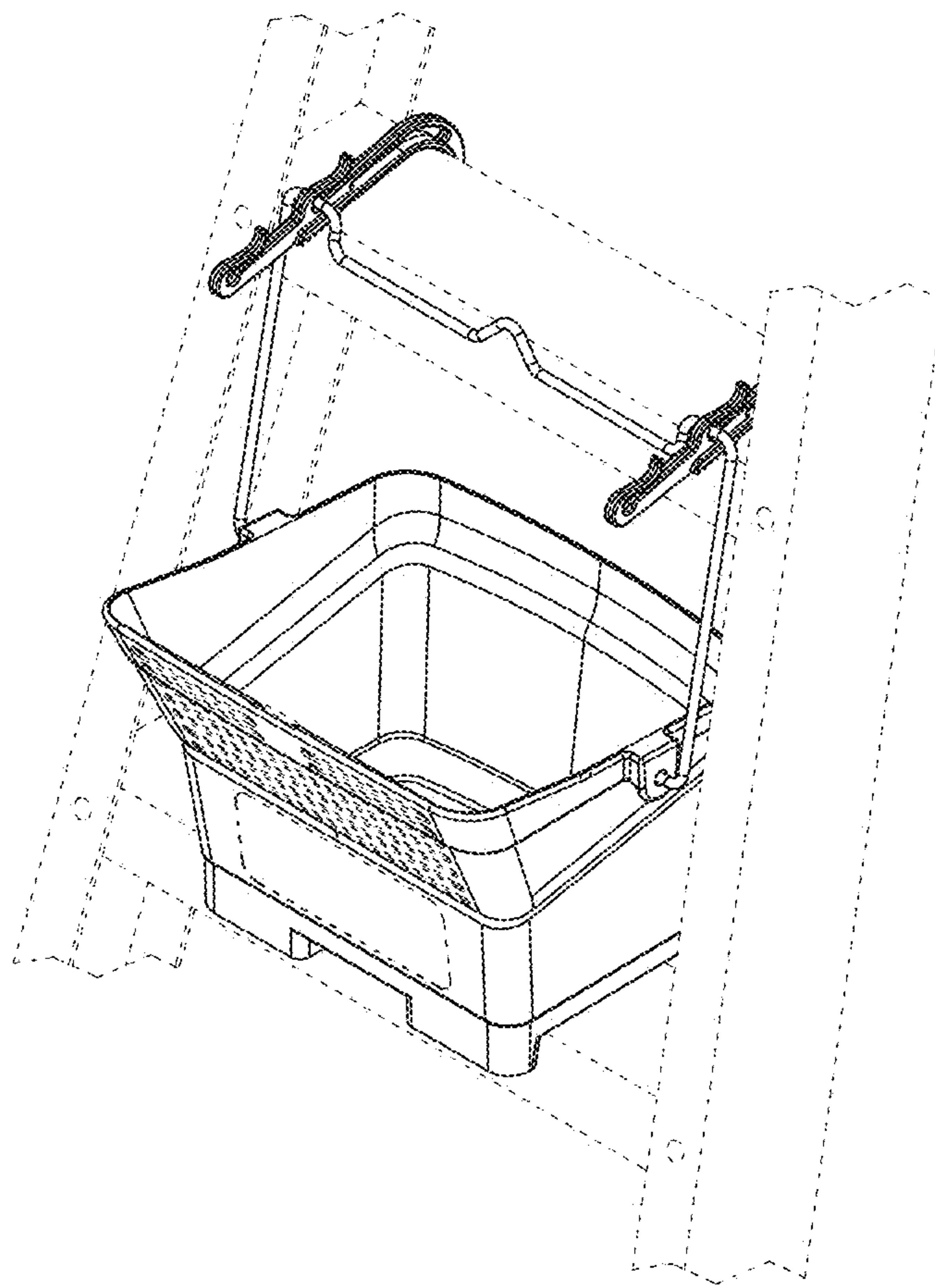


FIG. 15