



US00D742609S

(12) **United States Design Patent**  
**Irwin et al.**

(10) **Patent No.:** **US D742,609 S**  
(45) **Date of Patent:** **\*\* Nov. 3, 2015**

(54) **BUCKETLESS HANDLE**

FOREIGN PATENT DOCUMENTS

(71) Applicant: **Impact Products, LLC**, Toledo, OH  
(US)

KR 300506000-0000 \* 9/2008  
WO WO D71563-003 \* 8/2009  
WO WO D72039-001 \* 3/2010

(72) Inventors: **John T. Irwin**, Sylvania, OH (US);  
**Jeffrey C. Gayer**, Sylvania, OH (US);  
**Stephen A. Dukes**, North Baltimore, OH  
(US)

OTHER PUBLICATIONS

Amazon.com—ProMist Microfiber Spray Mop—Wet Mops, review date Oct. 23, 2011, [online], <<http://www.amazon.com/O-Cedar-SFS-ONLY-ProMist-Microfiber/dp/B004HBCIR6#customerReviews>>, [site visited Jan. 13, 2015 6:44:20 PM].\*

(73) Assignee: **Impact Products, LLC**, Toledo, OH  
(US)

(Continued)

(\*\*) Term: **14 Years**

*Primary Examiner* — John R Yeh

(21) Appl. No.: **29/448,832**

(74) *Attorney, Agent, or Firm* — Fraser Clemens Martin & Miller LLC; James D. Miller

(22) Filed: **Mar. 14, 2013**

(57) **CLAIM**

(51) **LOC (10) Cl.** ..... **15-05**

The ornamental design for a bucketless handle, as shown and described.

(52) **U.S. Cl.**

**DESCRIPTION**

USPC ..... **D32/50**

(58) **Field of Classification Search**

USPC ..... D32/35, 40, 50-53; 15/115, 118,  
15/229.1-229.9, 147.1-147.2, 208, 209.1,  
15/210.1, 119.2, 105, 152

See application file for complete search history.

FIG. 1 is a perspective view of a bucketless handle;  
FIG. 2 is a front elevational view of the bucketless handle of FIG. 1;  
FIG. 3 is a rear elevational view of the bucketless handle of FIG. 1;  
FIG. 4 is a top plan view of the bucketless handle of FIG. 1;  
FIG. 5 is a bottom plan view of the bucketless handle of FIG. 1; and,  
FIG. 6 is a left side elevational view of the bucketless handle of FIG. 1.

(56) **References Cited**

U.S. PATENT DOCUMENTS

2,053,282	A	9/1936	Gewalt	
2,301,586	A *	11/1942	Rubin	15/147.2
D202,767	S *	11/1965	Cowen	D32/50
D211,197	S *	5/1968	Malmo	D32/50
4,191,311	A	3/1980	Aguadro	
D287,173	S *	12/1986	Libman	D32/51
D398,099	S *	9/1998	Leung	D32/22
5,865,551	A	2/1999	Lalli et al.	
D409,343	S *	5/1999	Kingry et al.	D32/50
D428,226	S *	7/2000	Kunkler	D32/45

The right side elevational view of the bucketless handle of FIG. 1 is not shown because it is a mirror image of the left side elevational view of the bucketless handle of FIG. 1.

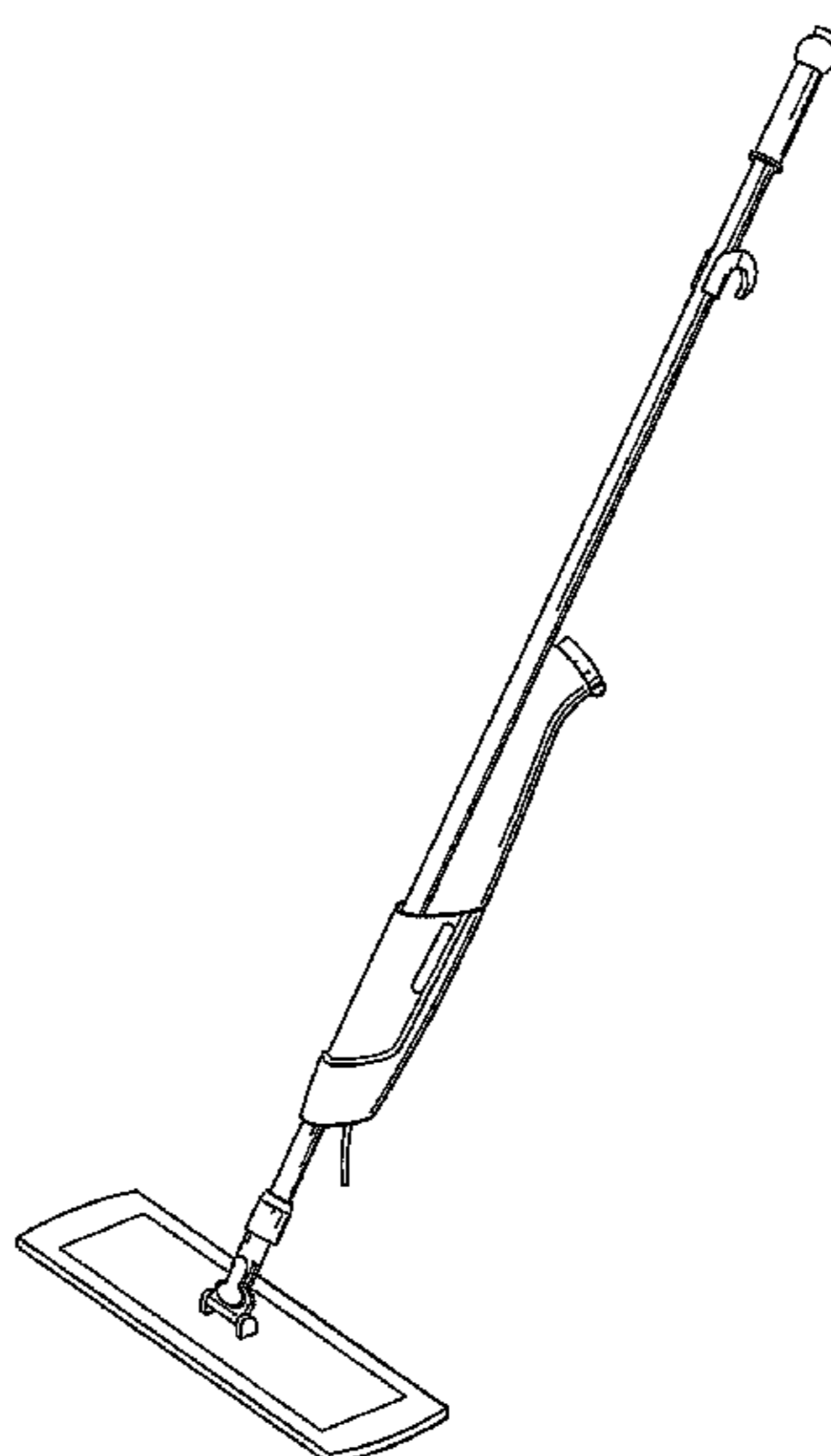
The ornamental design which is claimed is shown in solid lines in the drawings.

The broken lines in the figures show features of the bucketless handle that form no part of the claimed design.

The broken lines in the figures show features of the bucketless handle that form no part of the claimed design.

(Continued)

**1 Claim, 4 Drawing Sheets**



(56)

References Cited

U.S. PATENT DOCUMENTS

D458,427 S \* 6/2002 Kunkler et al. .... D32/45  
 6,551,001 B2 \* 4/2003 Aberegg et al. .... 401/190  
 D482,829 S \* 11/2003 Vosbikian et al. .... D32/45  
 D497,699 S \* 10/2004 Chi-Hsiang et al. .... D32/45  
 D505,762 S \* 5/2005 Lalanne et al. .... D32/45  
 D506,050 S \* 6/2005 Lalanne et al. .... D32/45  
 D514,267 S \* 1/2006 Tsai ..... D32/45  
 7,163,349 B2 1/2007 Policicchio et al.  
 D549,912 S \* 8/2007 Van Landingham ..... D32/40  
 7,293,322 B2 \* 11/2007 Matousek et al. .... 15/320  
 7,441,301 B2 10/2008 Kresse et al.  
 D585,612 S \* 1/2009 Soller et al. .... D32/50  
 D586,514 S \* 2/2009 Perelli et al. .... D32/50  
 D590,117 S \* 4/2009 Crawford et al. .... D32/45  
 D597,270 S \* 7/2009 McNeil et al. .... D32/51  
 D597,718 S \* 8/2009 McNeil et al. .... D32/45  
 D602,664 S \* 10/2009 Crawford et al. .... D32/40  
 D615,260 S \* 5/2010 Koenig ..... D32/45

7,740,412 B2 6/2010 Hoadley et al.  
 D625,481 S \* 10/2010 Raven ..... D32/51  
 2002/0042962 A1 \* 4/2002 Willman et al. .... 15/208  
 2003/0074756 A1 \* 4/2003 Policicchio et al. .... 15/228  
 2003/0126710 A1 \* 7/2003 Policicchio et al. .... 15/228  
 2003/0135948 A1 \* 7/2003 Holt et al. .... 15/228  
 2003/0209263 A1 11/2003 Bell et al.  
 2004/0071490 A1 \* 4/2004 Vosbikian et al. .... 401/49  
 2004/0231700 A1 11/2004 Bell et al.  
 2007/0177925 A1 8/2007 Perelli  
 2009/0241280 A1 \* 10/2009 Pho et al. .... 15/209.1  
 2010/0043167 A1 \* 2/2010 Bradbury et al. .... 15/228  
 2011/0240068 A1 \* 10/2011 Rosenzweig et al. .... 134/105

OTHER PUBLICATIONS

Amazon.com—Rubbermaid Reveal Spray Mop—Wet Mops, review date Dec. 23, 2011, [online], <<http://www.amazon.com/Rubbermaid-2856049-Reveal-Spray-Mop/dp/B003YHF4AC>>, [site visited Jan. 13, 2015 6:45:37 PM].\*

\* cited by examiner

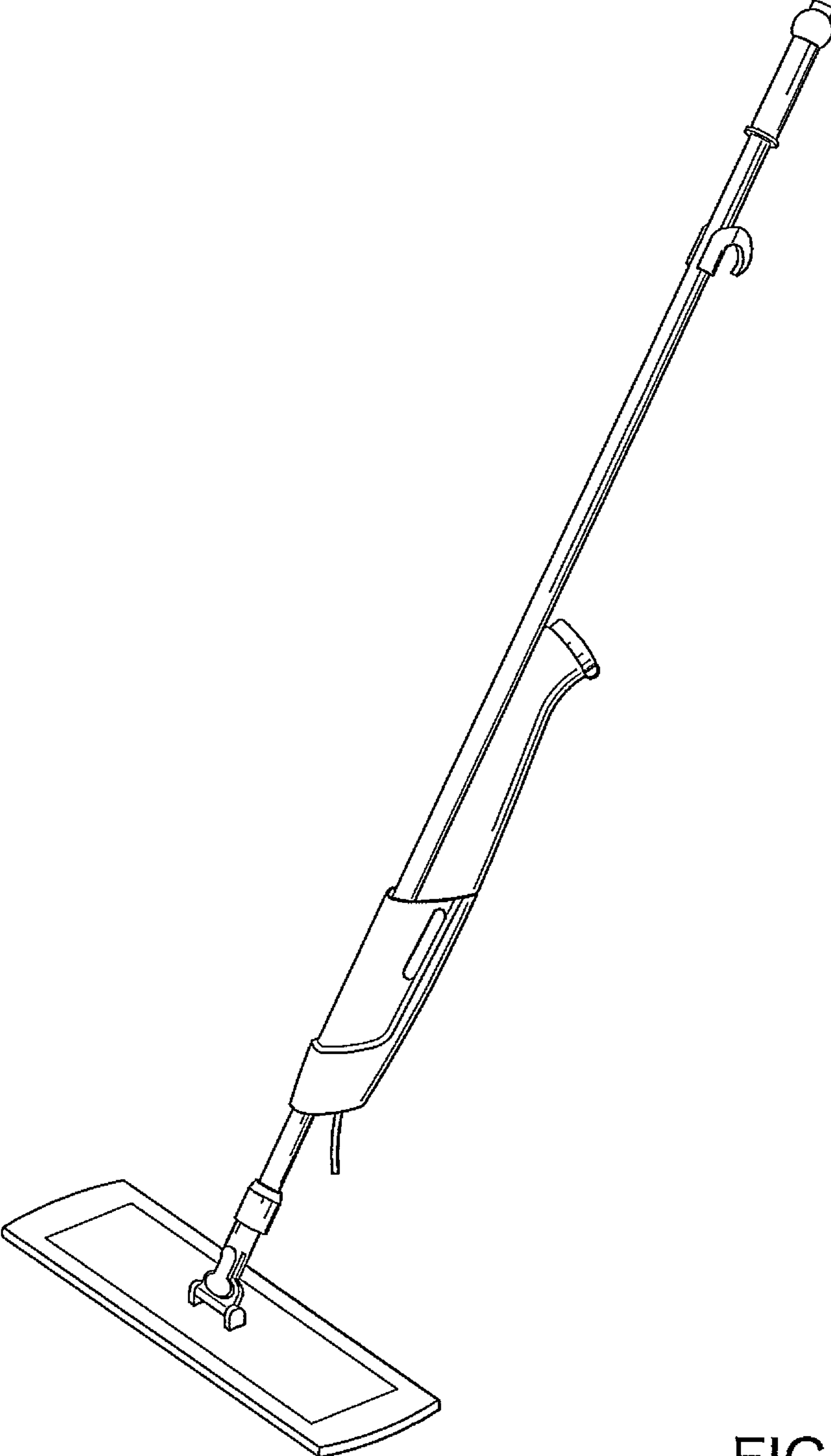


FIG. 1

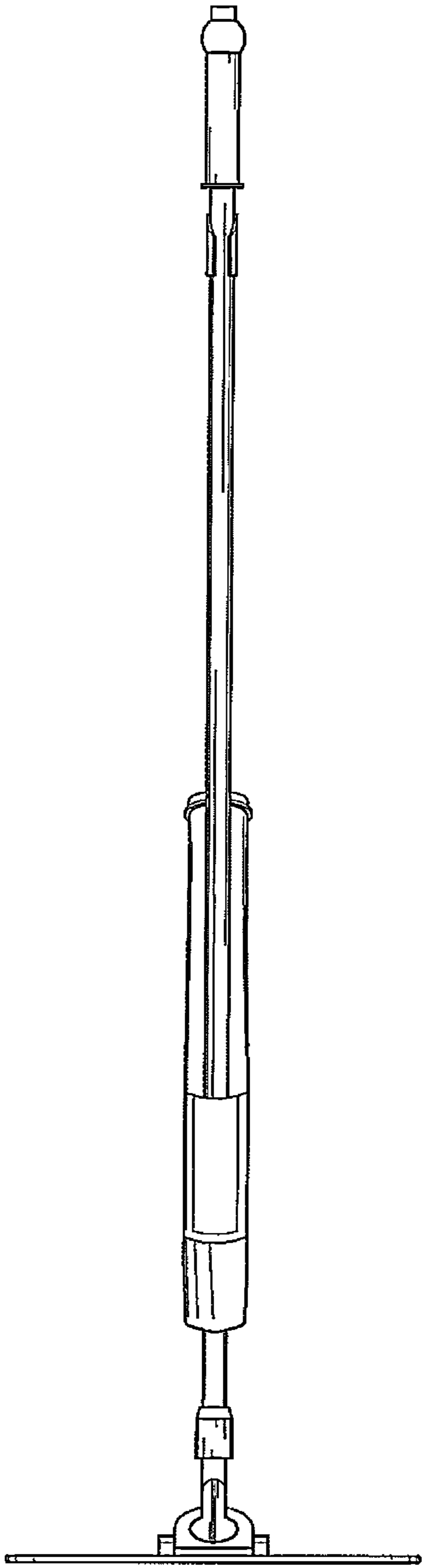


FIG. 2

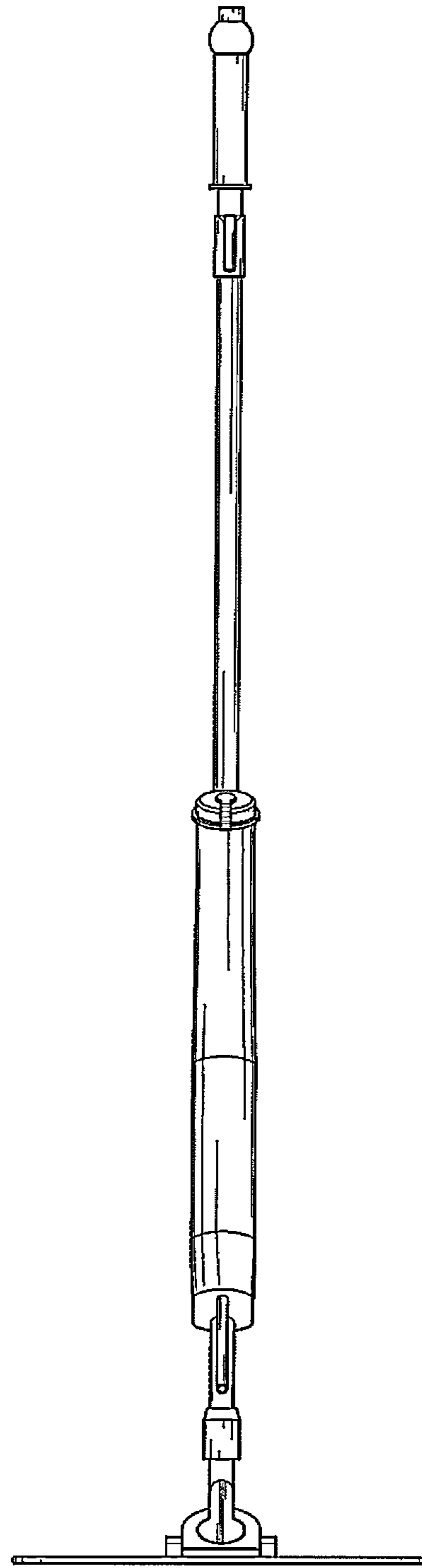


FIG. 3

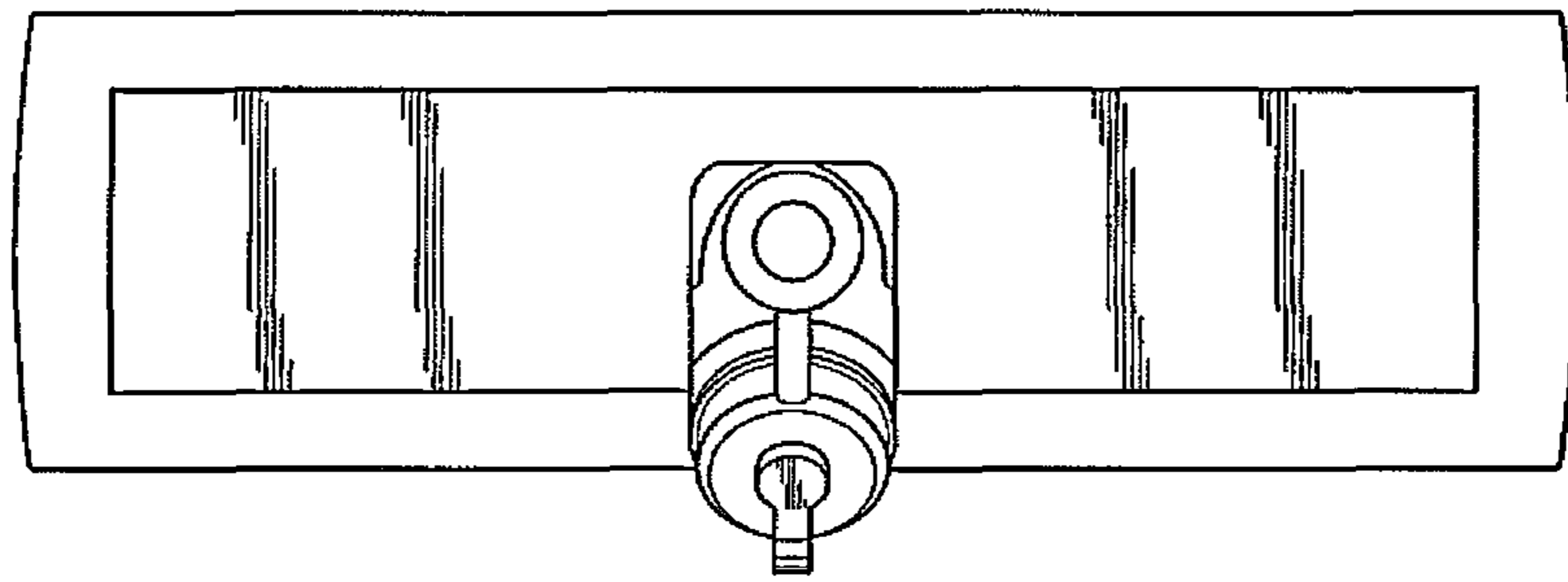


FIG. 4

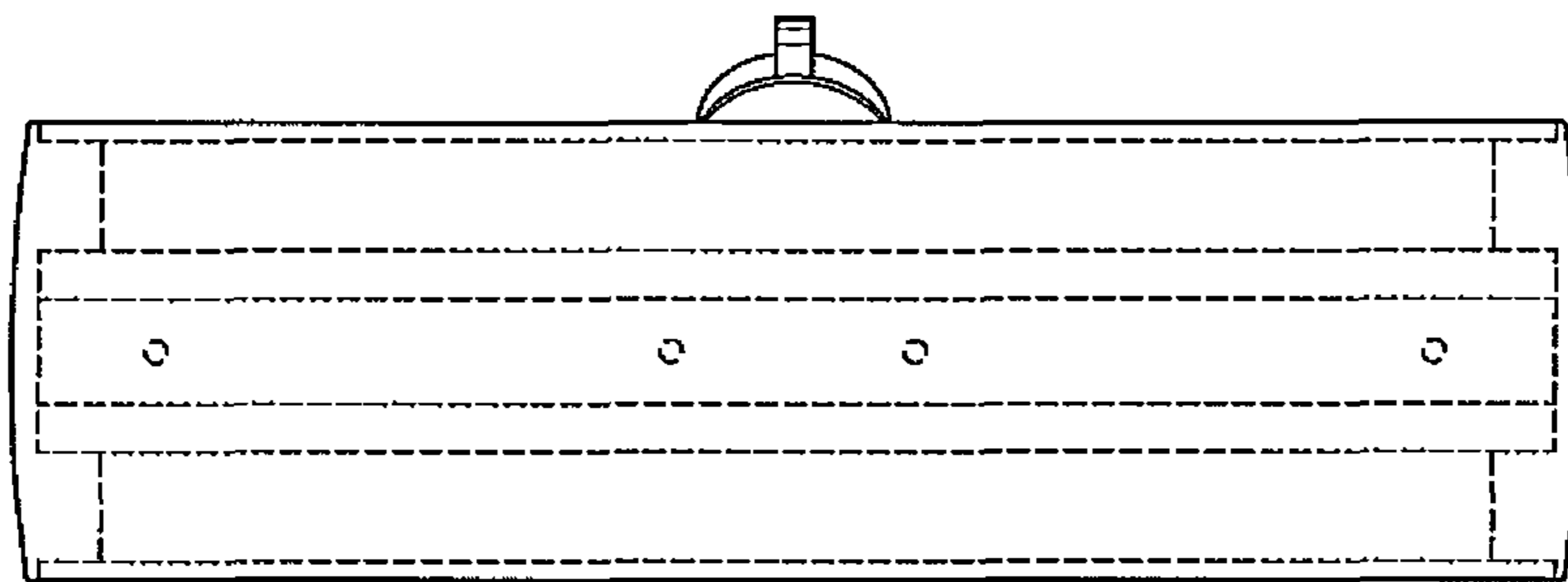


FIG. 5

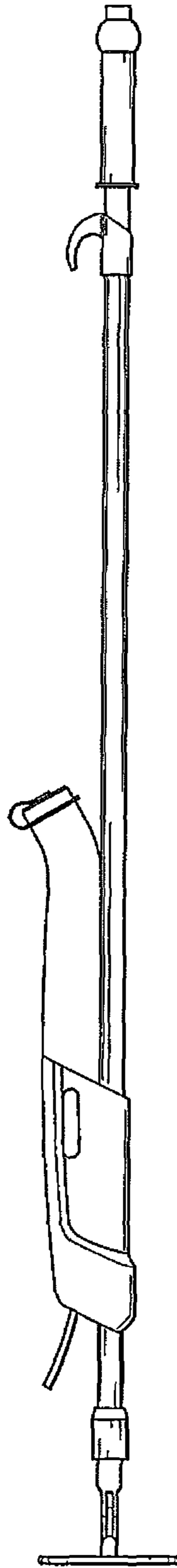


FIG. 6