



US00D742608S

(12) **United States Design Patent**
Chang

(10) **Patent No.:** **US D742,608 S**
(45) **Date of Patent:** **** Nov. 3, 2015**

(54) **MULTI PURPOSE CLEANER**

(71) Applicant: **BOHIN PACKAGING LTD**, Hong Kong (HK)
(72) Inventor: **Jonathan Yau Hin Chang**, Hong Kong (HK)
(73) Assignee: **BOHIN PACKAGING LTD**, Hong Kong (HK)

(**) Term: **14 Years**

(21) Appl. No.: **29/494,152**

(22) Filed: **Jun. 18, 2014**

(51) **LOC (10) Cl.** **04-01**

(52) **U.S. Cl.**
USPC **D32/42; D32/40**

(58) **Field of Classification Search**
USPC D32/40-50; 15/208, 209.1, 15/229.1-229.4, 227, 228, 210.1, 119.1, 15/220.2, 118, 244.1, 244.4, 144.1, 144.4, 15/104.94, 105
CPC A47L 13/16; A47L 13/46; A47L 13/24; A47L 13/18; A47L 13/20; A47L 13/22
See application file for complete search history.

(56) **References Cited**

U.S. PATENT DOCUMENTS

D189,661	S	*	1/1961	McMillan	D32/43
4,987,634	A	*	1/1991	Wehrauch	15/209.1
5,092,013	A	*	3/1992	Genovese, Jr.	15/104.94
D443,742	S	*	6/2001	Williams-Wynn	D32/42
7,175,239	B2	*	2/2007	Chang	300/21
8,032,972	B2	*	10/2011	Cherry	15/210.1
D685,152	S	*	6/2013	Smith	D32/40
D721,862	S	*	1/2015	Aust	D32/40

* cited by examiner

Primary Examiner — Robin V Webster

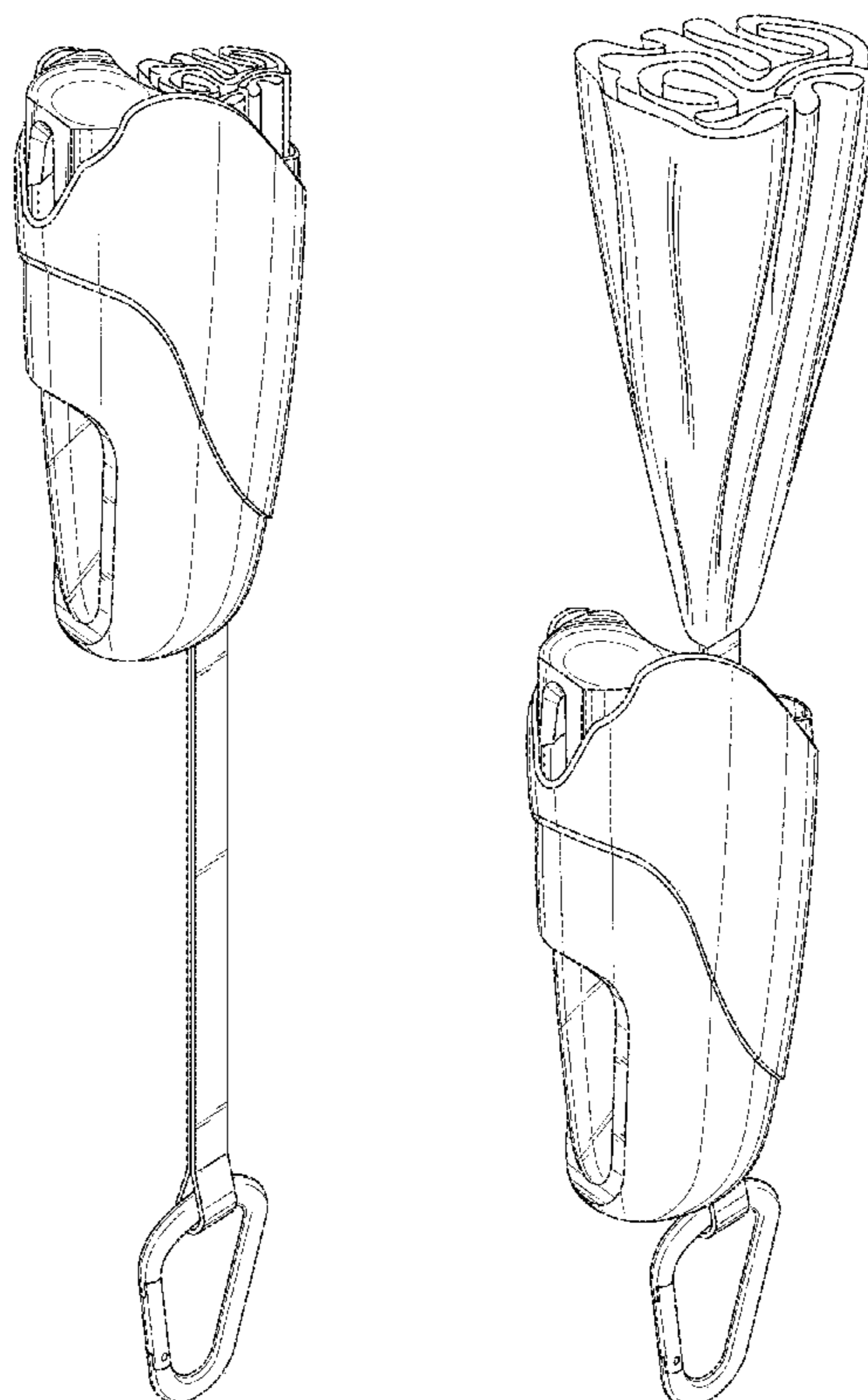
(57) **CLAIM**

The ornamental design for a multi purpose cleaner, as shown and described.

DESCRIPTION

FIG. 1 is a perspective view of a multi purpose cleaner showing my new design;
FIG. 2 is a front elevational view thereof;
FIG. 3 is a rear elevational view thereof;
FIG. 4 is a left side view thereof;
FIG. 5 is a right side view thereof;
FIG. 6 is a top plan view thereof;
FIG. 7 is a bottom plan view thereof;
FIG. 8 is a front perspective view of the multi purpose cleaner with cleansing cloth being pulled out; and,
FIG. 9 is a front perspective view of the multi purpose cleaner with cleansing cloth being pulled out and extended.

1 Claim, 6 Drawing Sheets



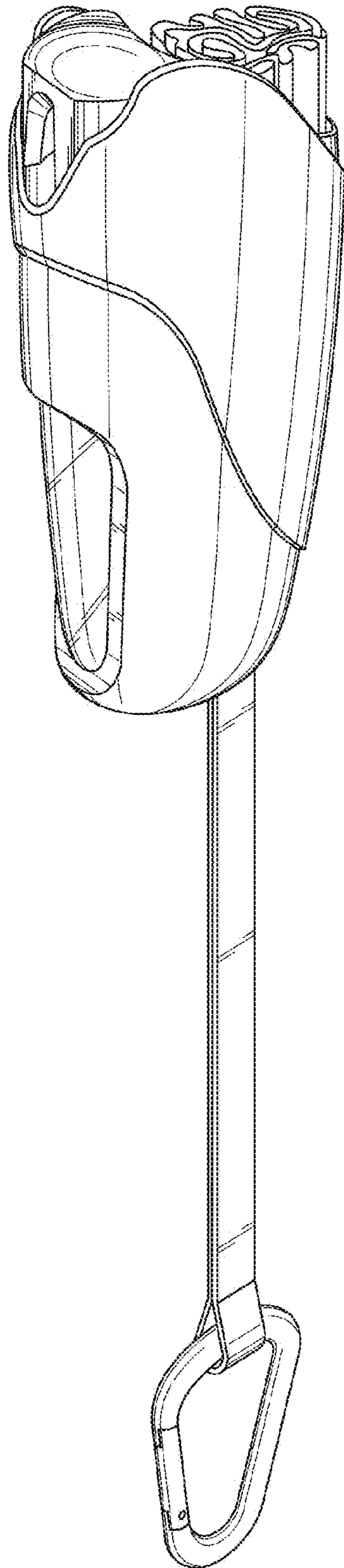


FIG. 1

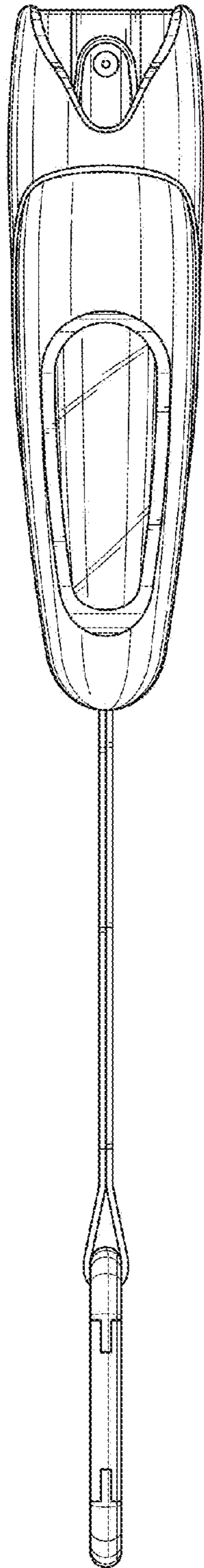


FIG. 2

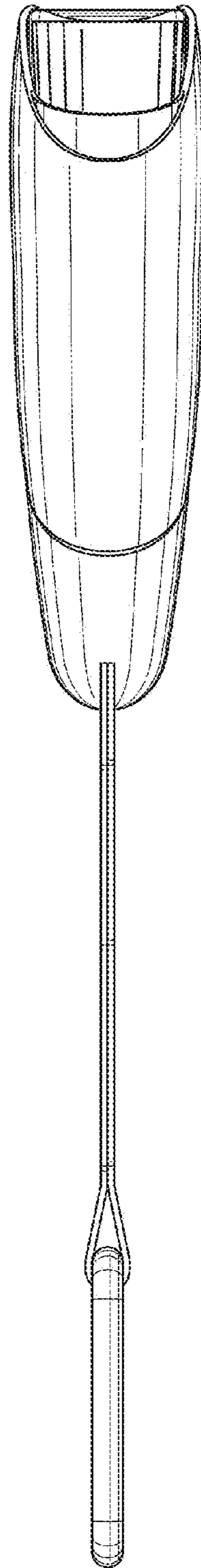


FIG. 3

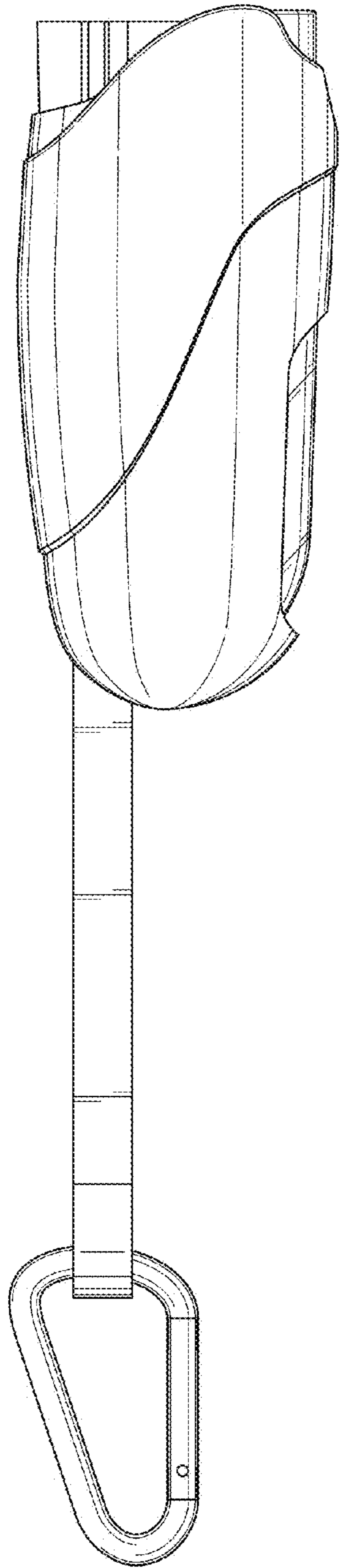


FIG. 4

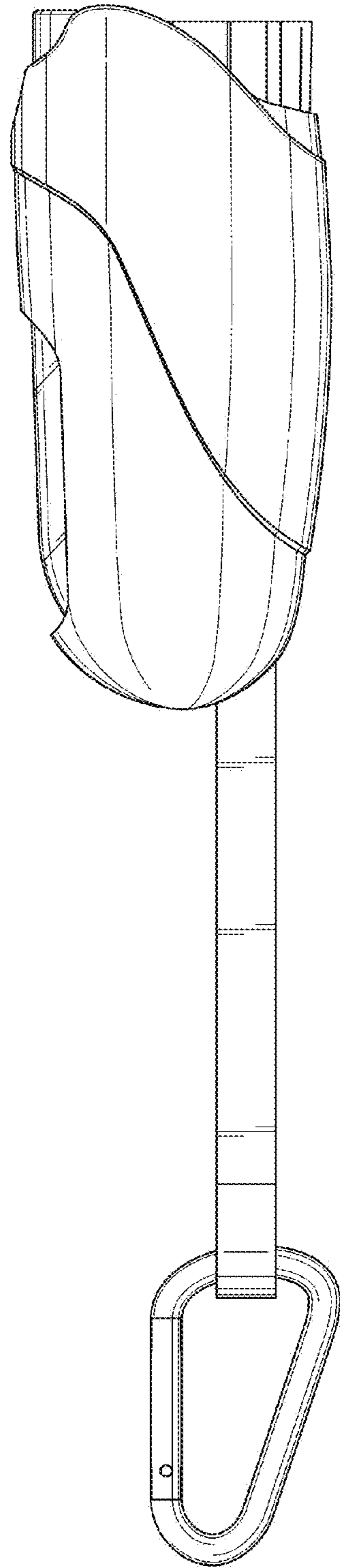


FIG. 5

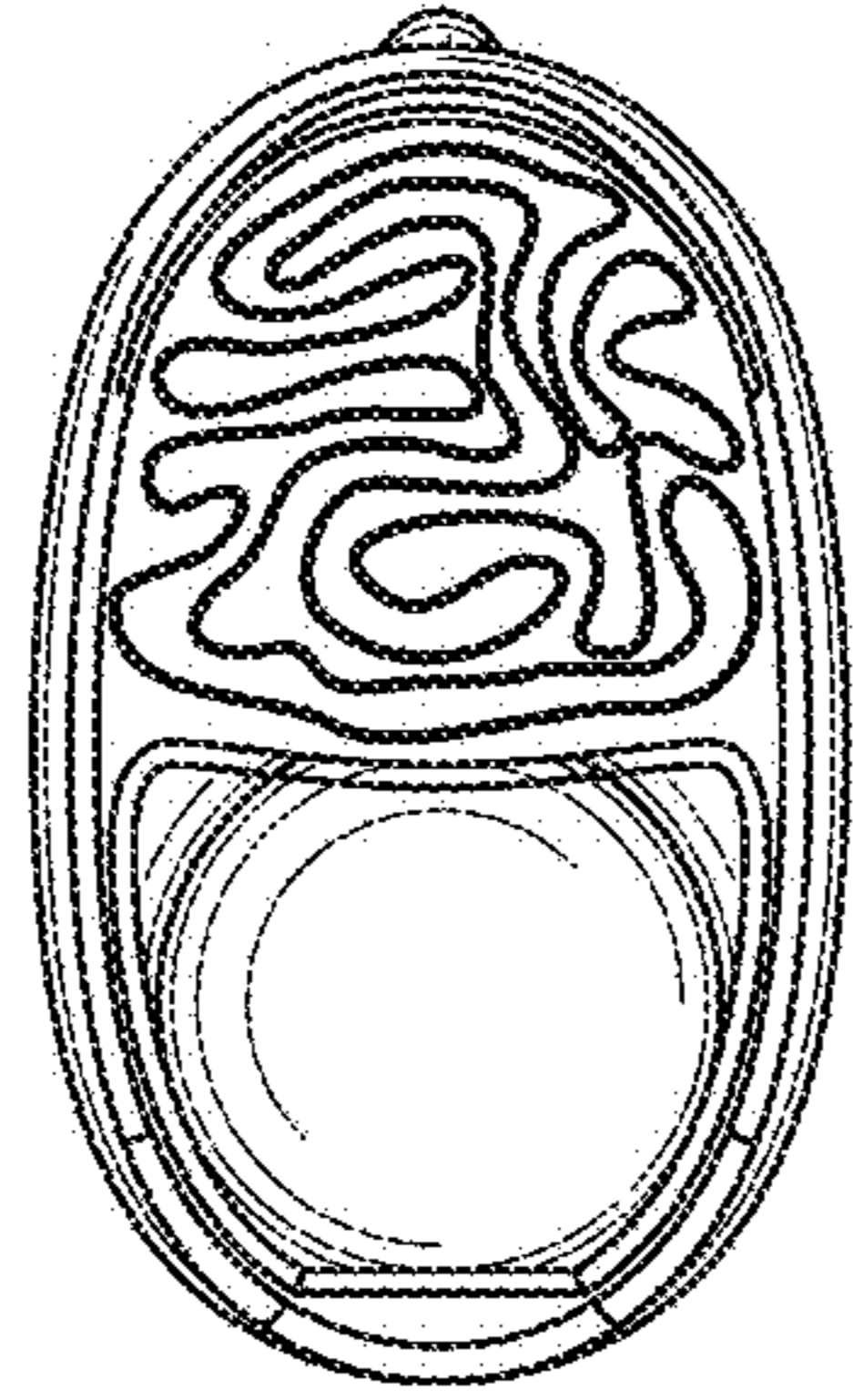


FIG. 6

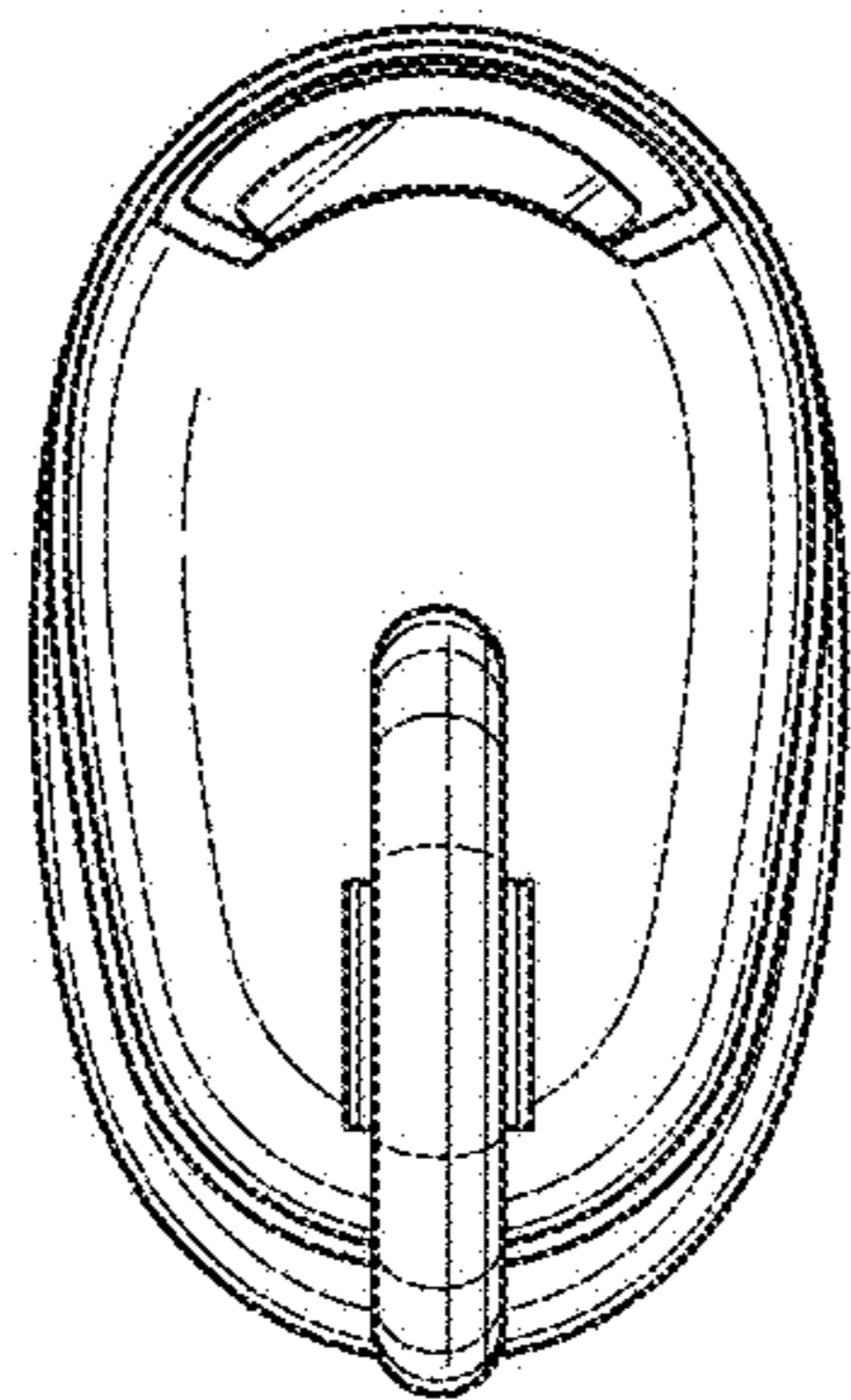


FIG. 7

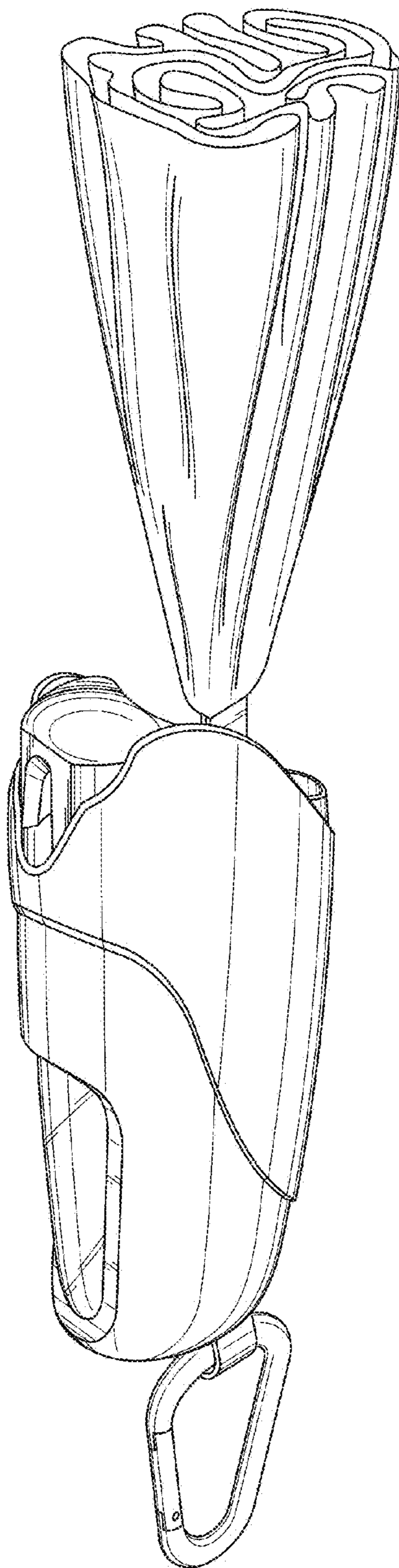


FIG. 8

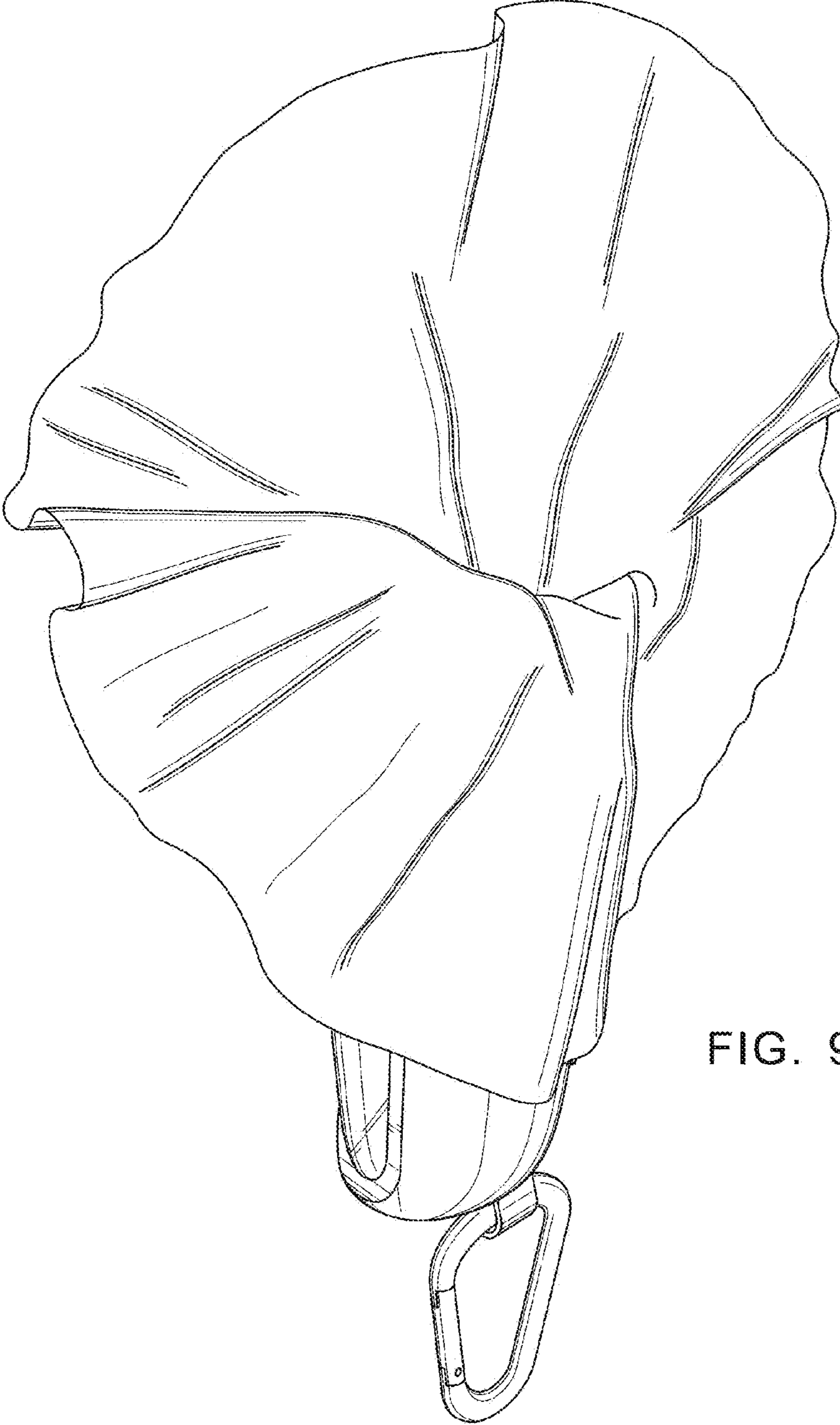


FIG. 9