



US00D742607S

(12) **United States Design Patent**
Crawley

(10) **Patent No.:** **US D742,607 S**

(45) **Date of Patent:** **** Nov. 3, 2015**

(54) **FLOORHEAD FOR A STEAM MOP**

(56) **References Cited**

(71) Applicant: **BLACK & DECKER INC.**, Newark,
DE (US)

U.S. PATENT DOCUMENTS

(72) Inventor: **Graeme Crawley**, Northumberland
(GB)

D318,542 S *	7/1991	Funatsu et al.	D32/32
D418,267 S *	12/1999	Lin	D32/32
D487,947 S *	3/2004	Pecci et al.	D32/32
D490,950 S *	6/2004	Pecci et al.	D32/32
D617,066 S *	6/2010	Koenig et al.	D32/50
D655,468 S *	3/2012	Karsan	D32/33
D683,919 S *	6/2013	Luedke et al.	D32/32
D700,759 S *	3/2014	Wu et al.	D32/32
2012/0000033 A1 *	1/2012	Conrad et al.	15/415.1
2012/0090132 A1 *	4/2012	Lindquist et al.	15/364
2013/0198991 A1 *	8/2013	Cadigan	15/246.3
2014/0331443 A1 *	11/2014	Houghton et al.	15/320
2015/0013098 A1 *	1/2015	Vrdoljak et al.	15/320

(73) Assignee: **BLACK & DECKER INC.**, Newark,
DE (US)

(**) Term: **14 Years**

* cited by examiner

(21) Appl. No.: **29/482,258**

Primary Examiner — Ruth McInroy

(22) Filed: **Feb. 17, 2014**

(74) *Attorney, Agent, or Firm* — John Yun

(30) **Foreign Application Priority Data**

(57) **CLAIM**

Aug. 20, 2013 (EM) 001381040

The ornamental design for a floorhead for a steam mop, as shown and described.

(51) **LOC (10) Cl.** **15-05**

DESCRIPTION

(52) **U.S. Cl.**
USPC **D32/32**

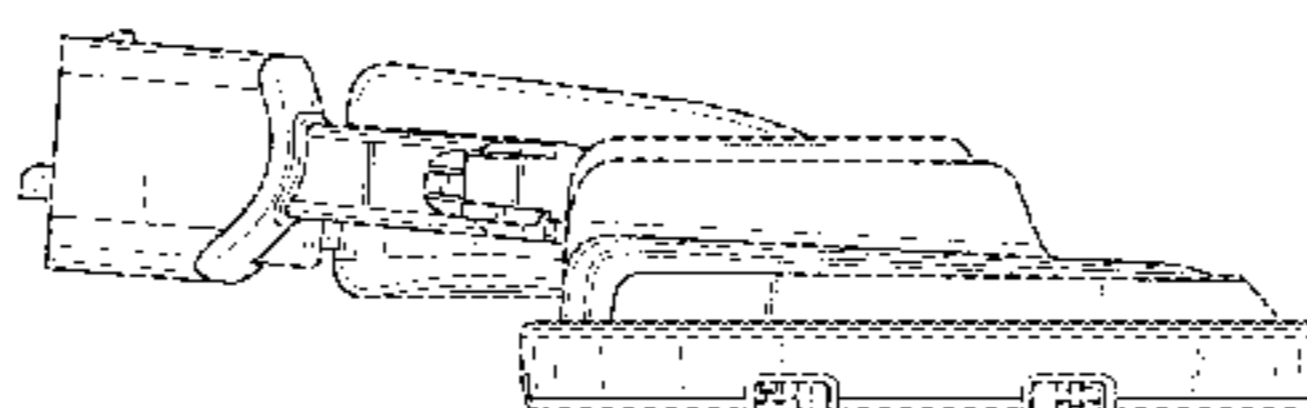
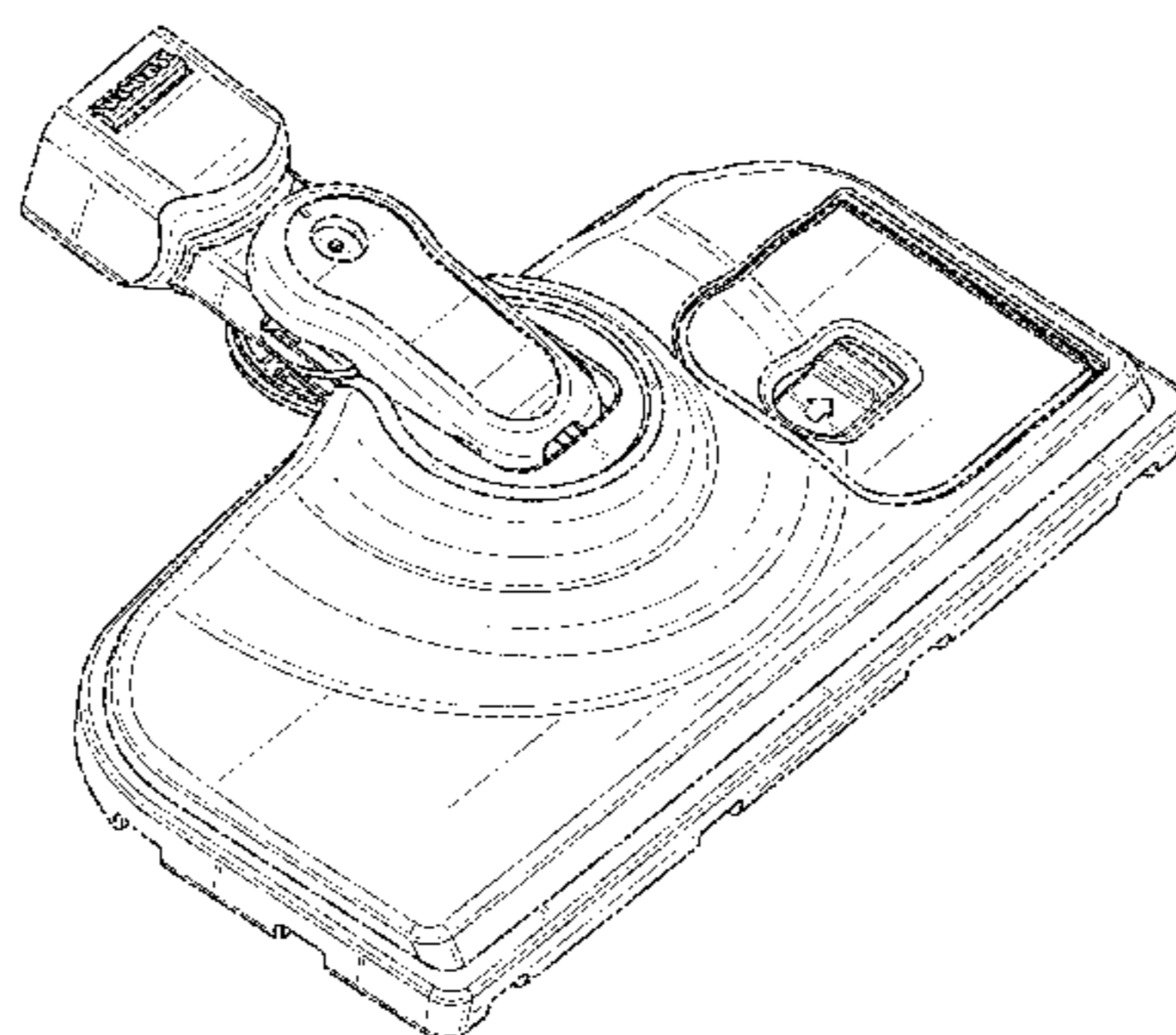
FIG. 1 is a perspective view of a floorhead for a steam mop in a closed position;
FIG. 2 is a top view thereof;
FIG. 3 is a bottom side thereof;
FIG. 4 is a right side view thereof;
FIG. 5 is a left side view thereof;
FIG. 6 is a rear view thereof;
FIG. 7 is a front view thereof.
FIG. 8 is a perspective view of a floorhead for a steam mop in an open position;
FIG. 9 is a top view thereof;
FIG. 10 is a bottom side view thereof;
FIG. 11 is a right side view thereof;
FIG. 12 is a left side view thereof;
FIG. 13 is a rear view thereof; and,
FIG. 14 is a front view thereof.

(58) **Field of Classification Search**
USPC D32/17–18, 31–34, 25, 40, 50;
D23/223

CPC E04H 4/1654; A47L 9/02; A47L 9/06;
A47L 9/0606; A47L 9/062; A47L 9/0633;
A47L 9/0693; A47L 11/4086; A47L 11/30;
A47L 7/009; A47L 7/0009; A47L 5/28;
A47L 5/36; A47L 13/225; A47L 13/20;
A47L 13/12; A47L 13/16; A47L 11/4044;
C11D 17/049; C23G 5/04; D06C 7/00;
D06F 75/30; D06F 87/00; B08B 3/02

See application file for complete search history.

1 Claim, 14 Drawing Sheets



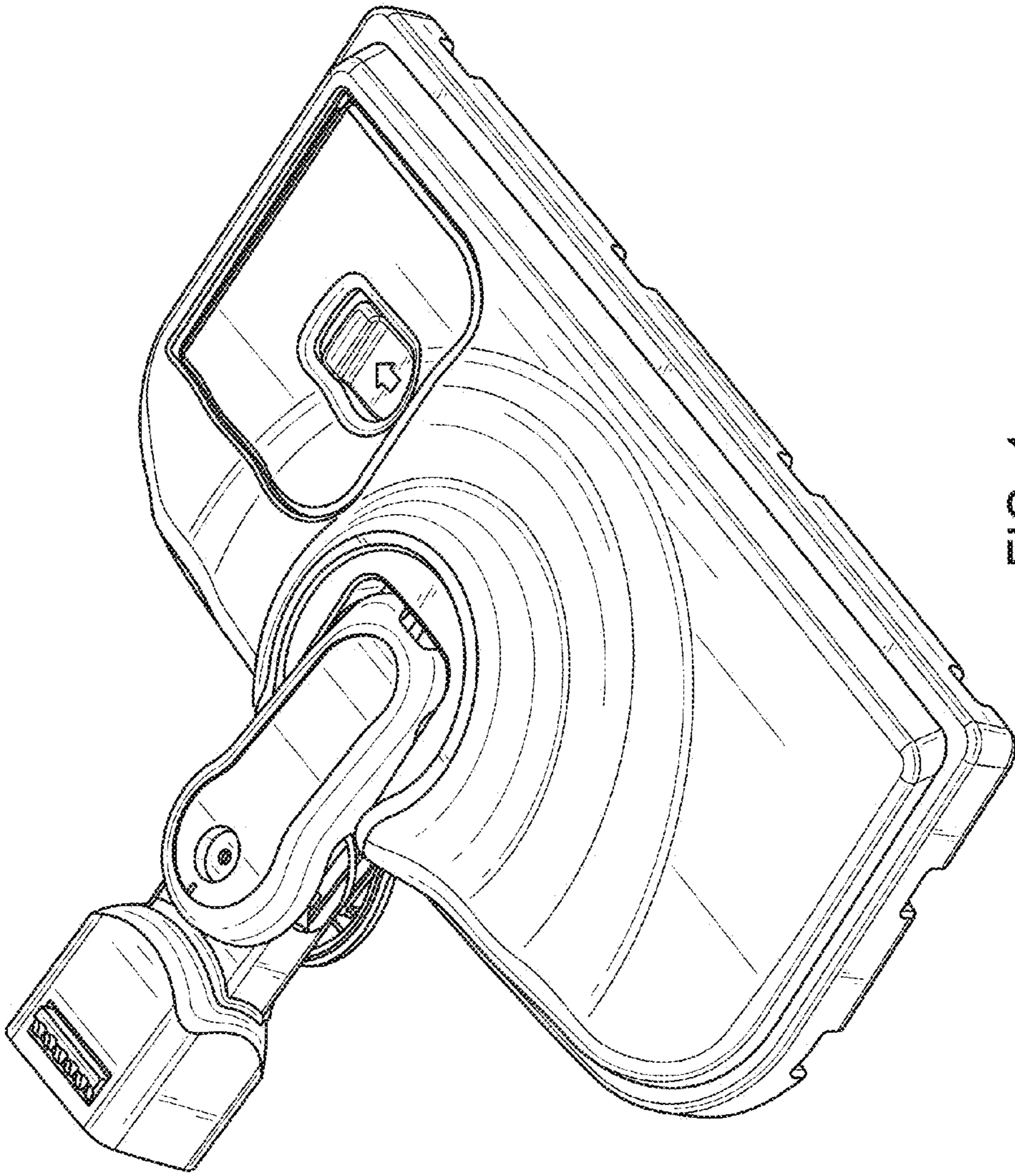


FIG. 1

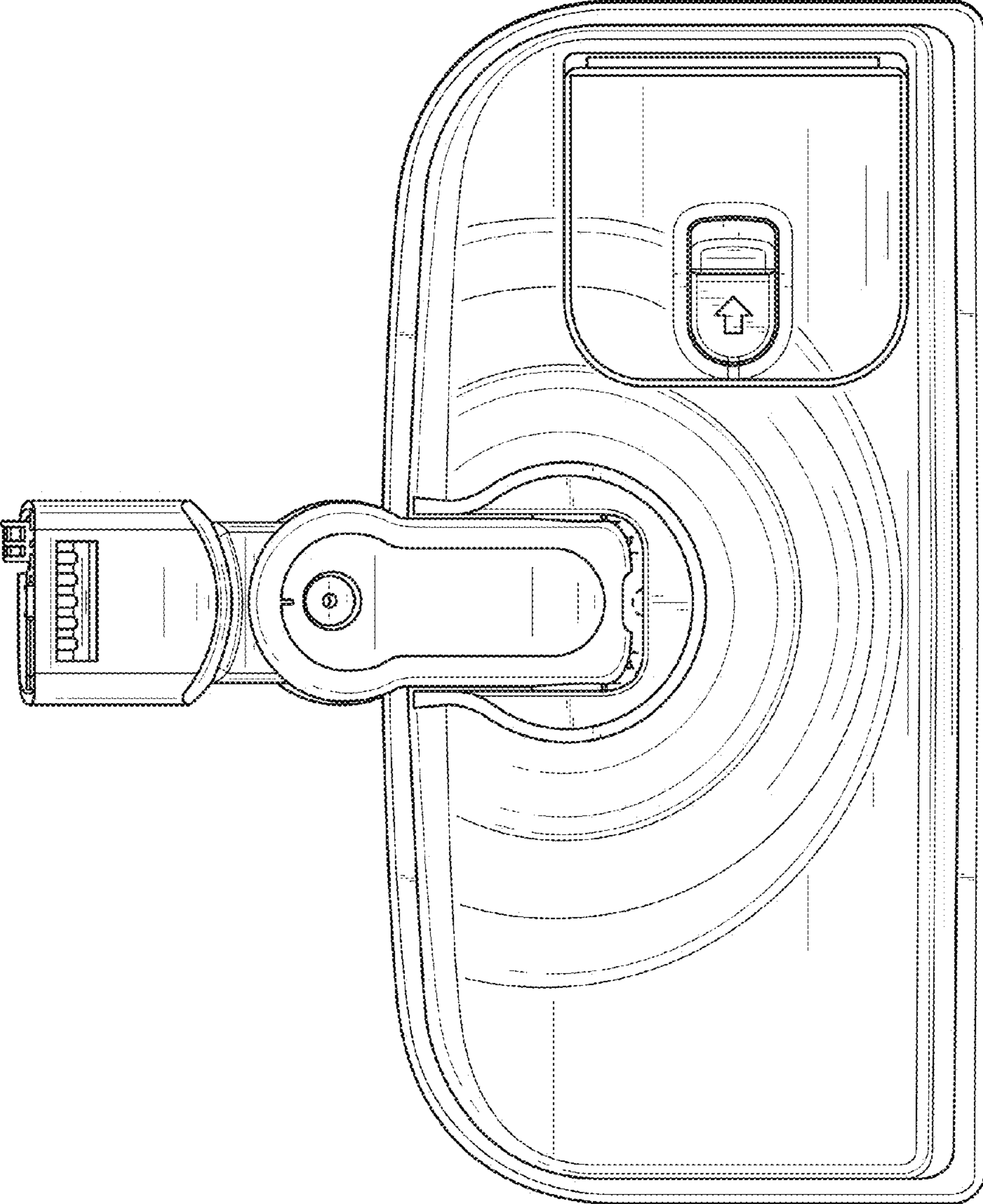


FIG. 2

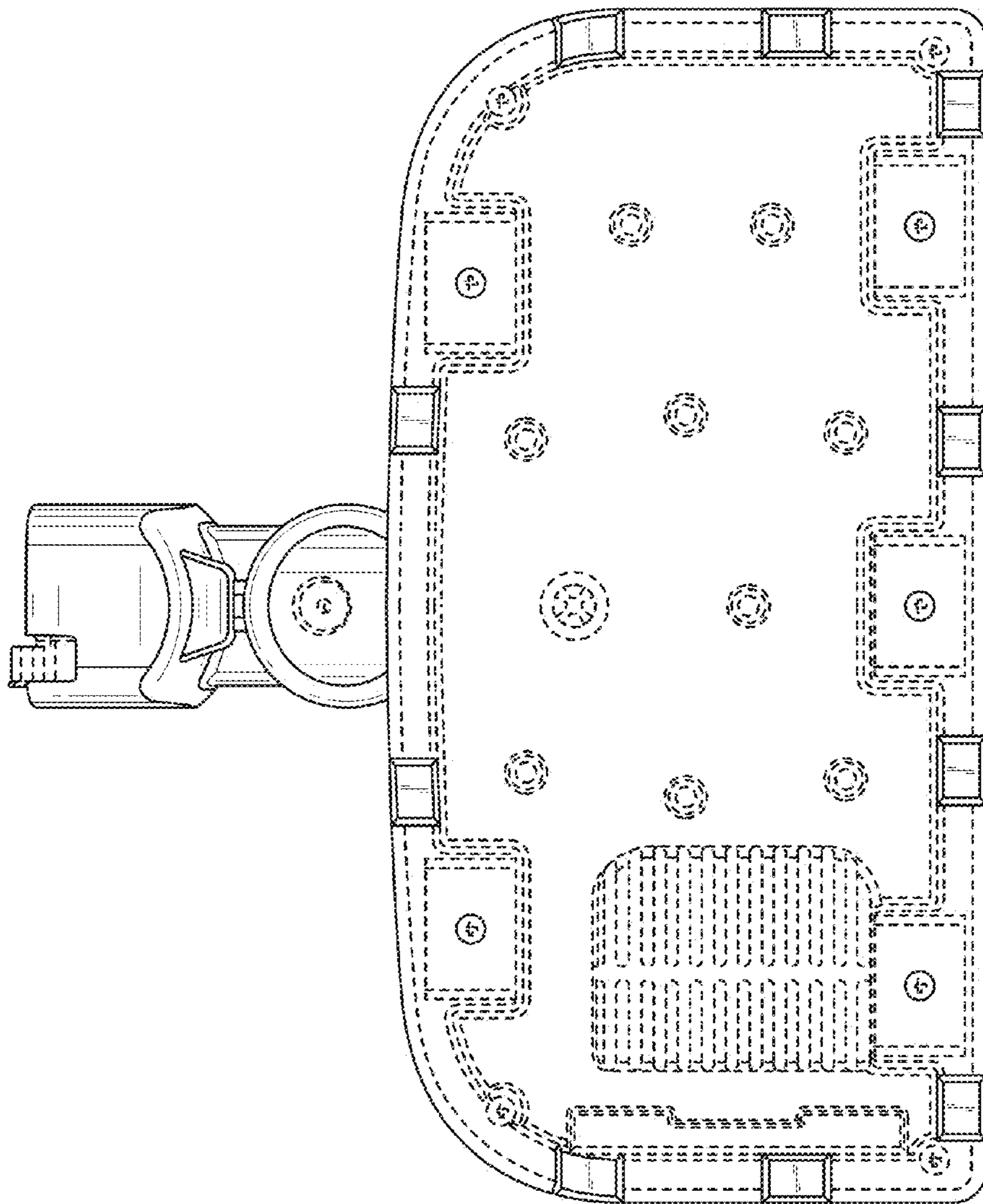


FIG. 3

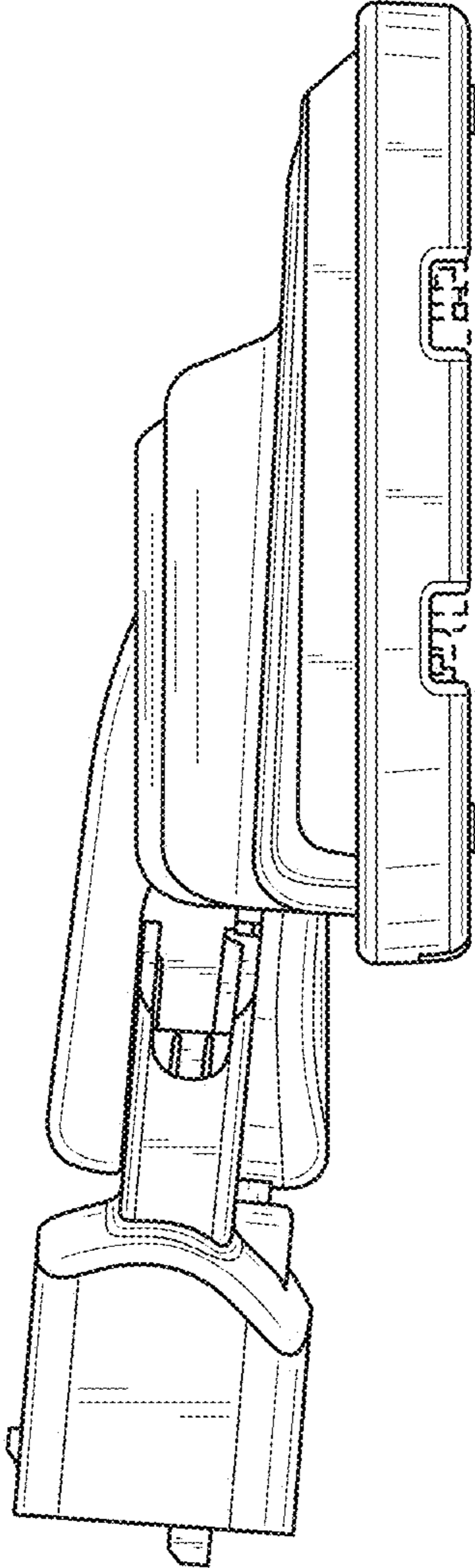


FIG. 4

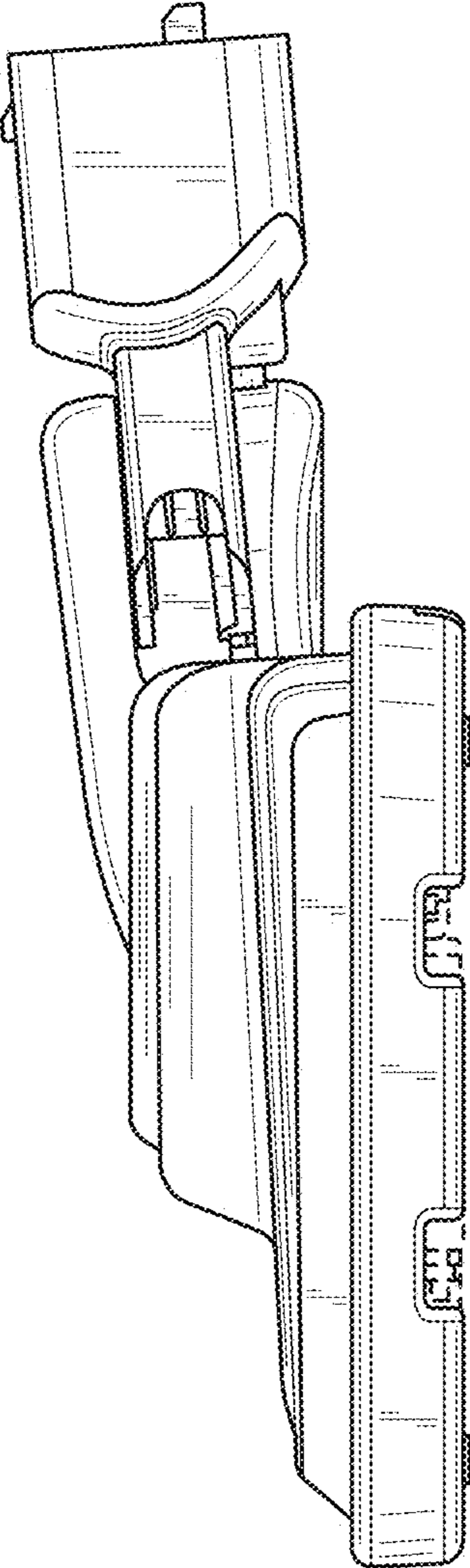


FIG. 5

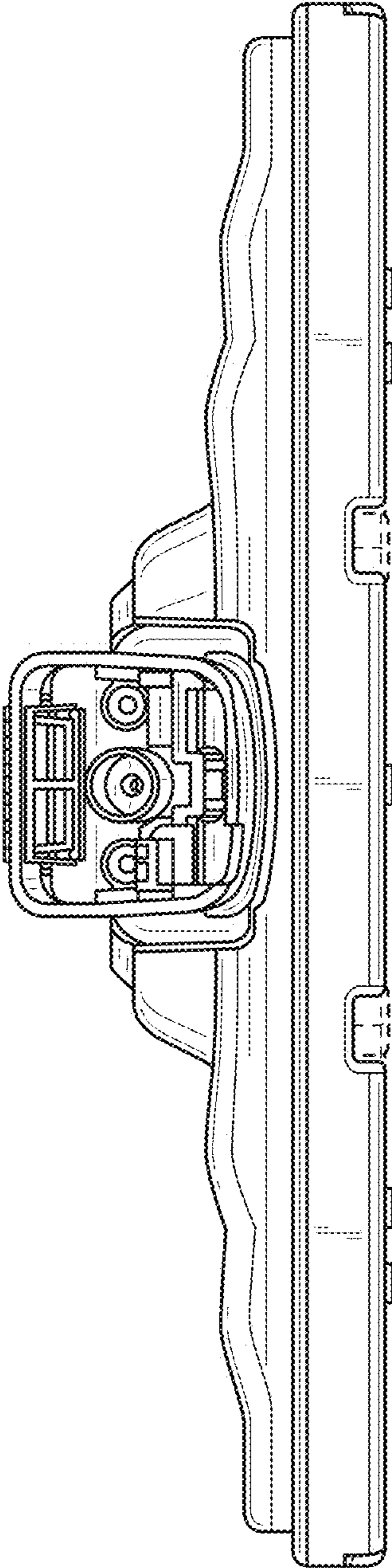


FIG. 6

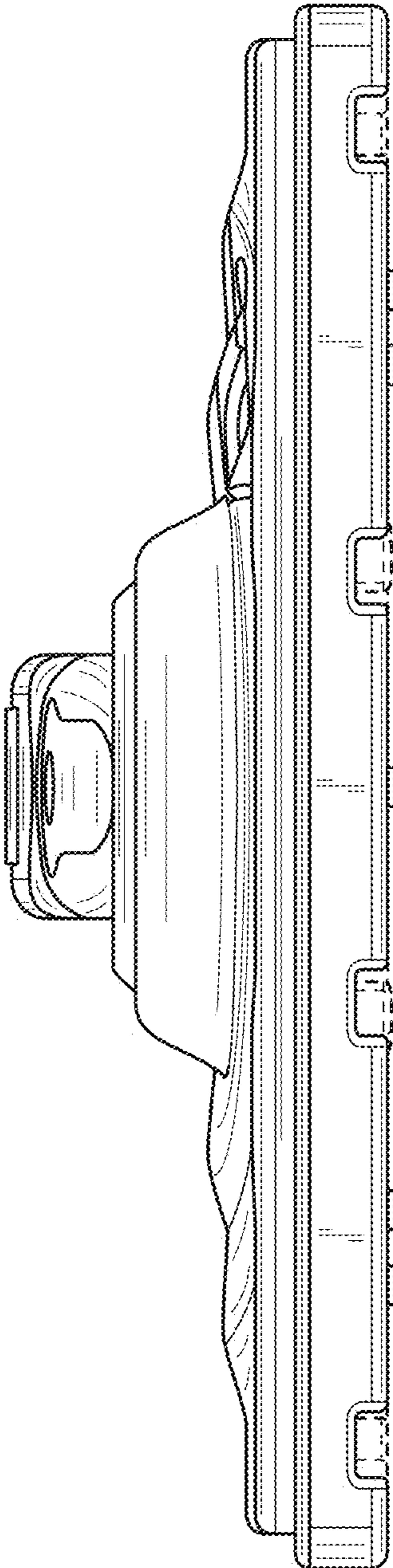


FIG. 7

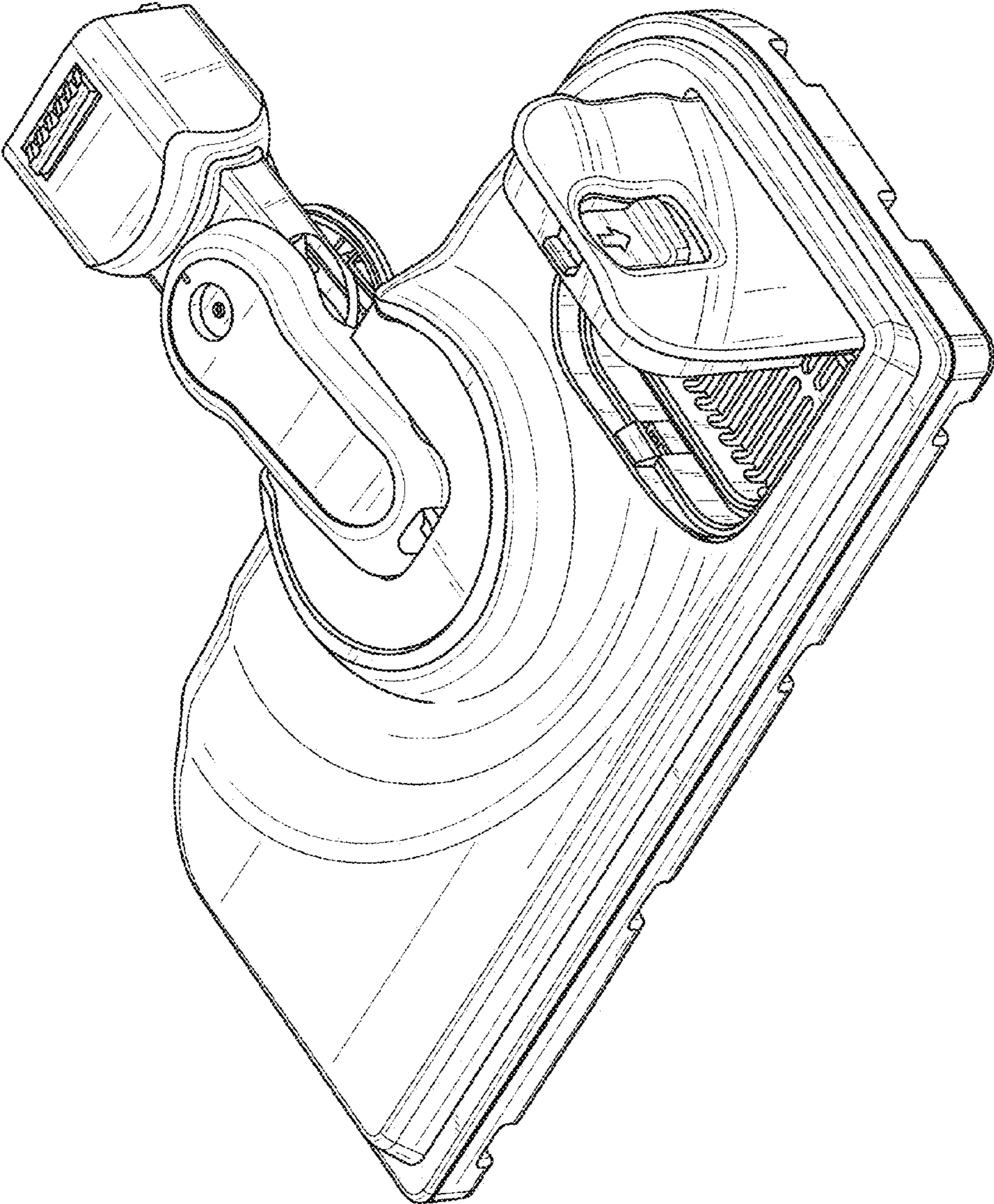


FIG. 8

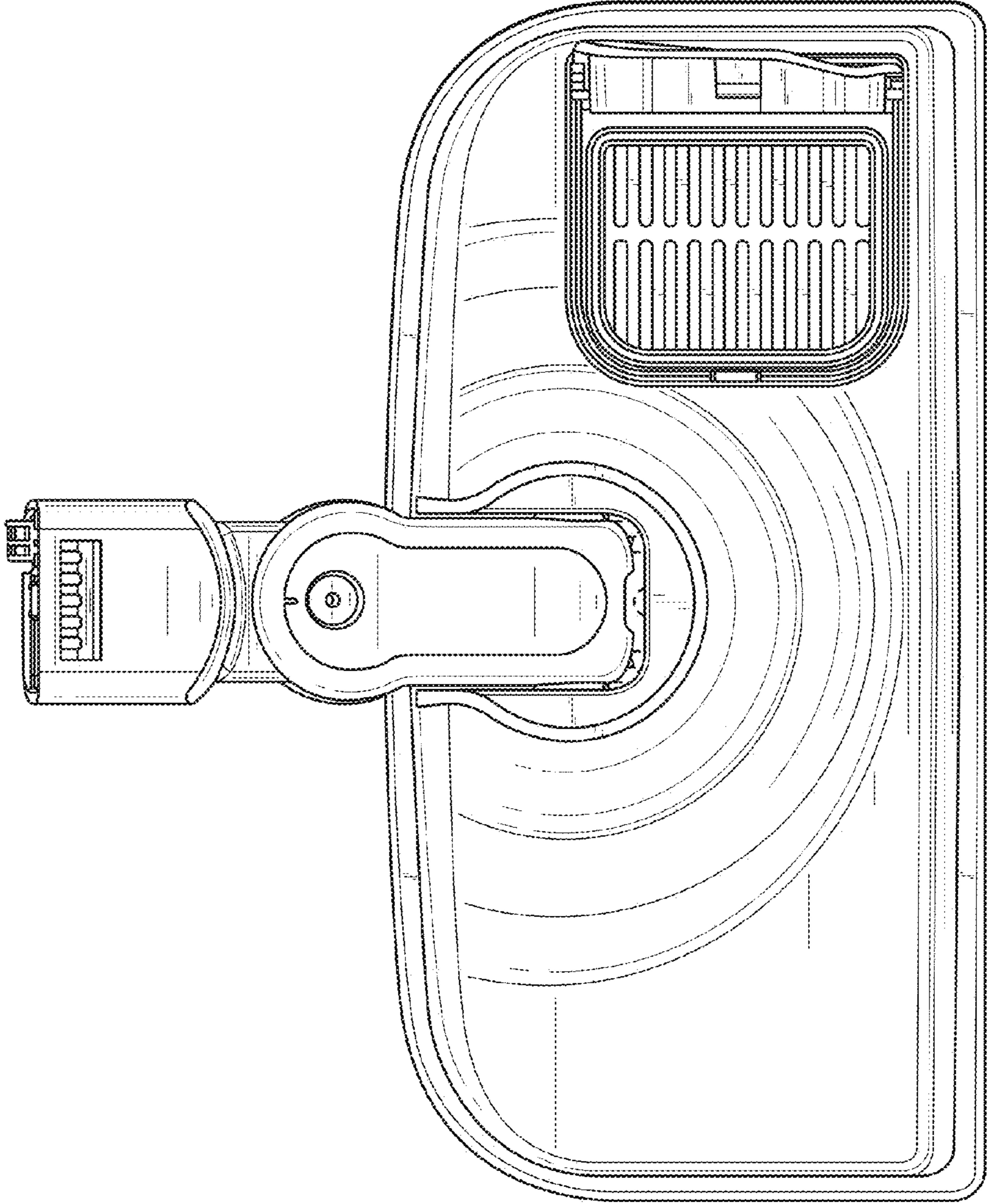


FIG. 9

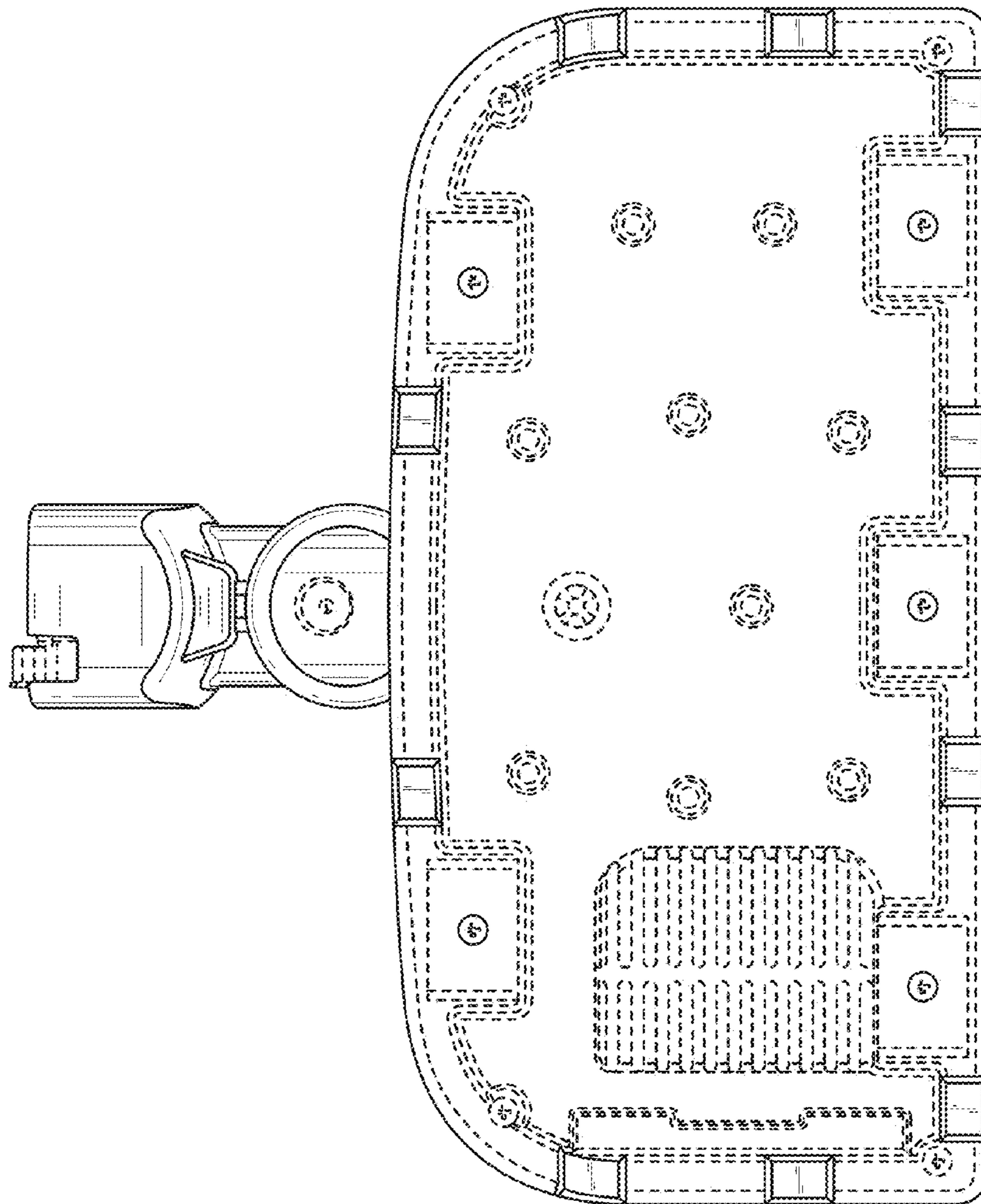


FIG. 10

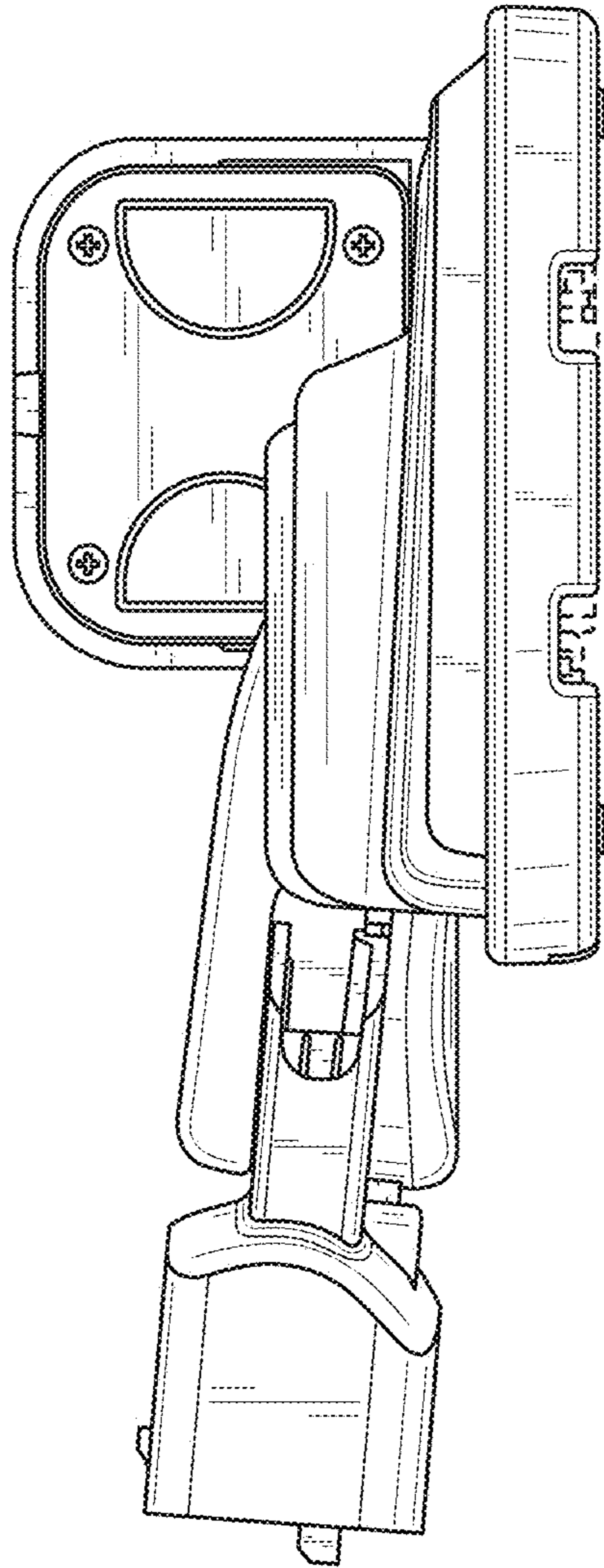


FIG. 11

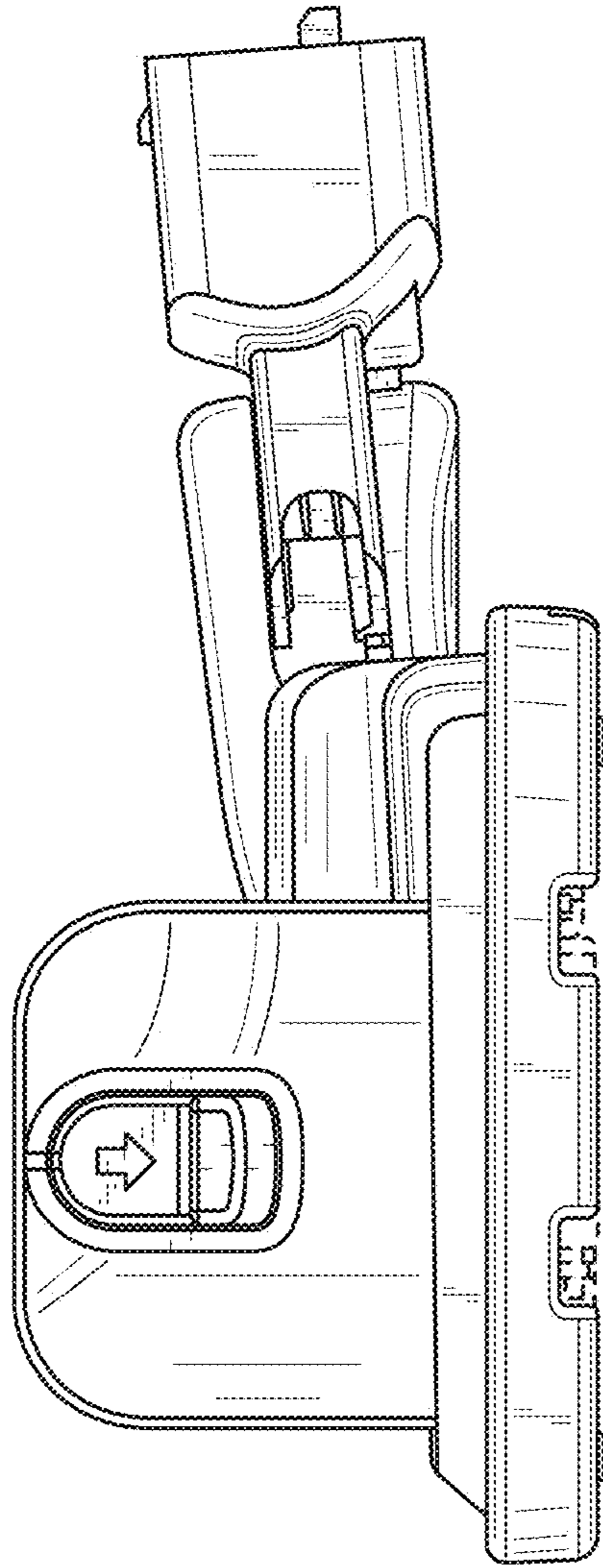


FIG. 12

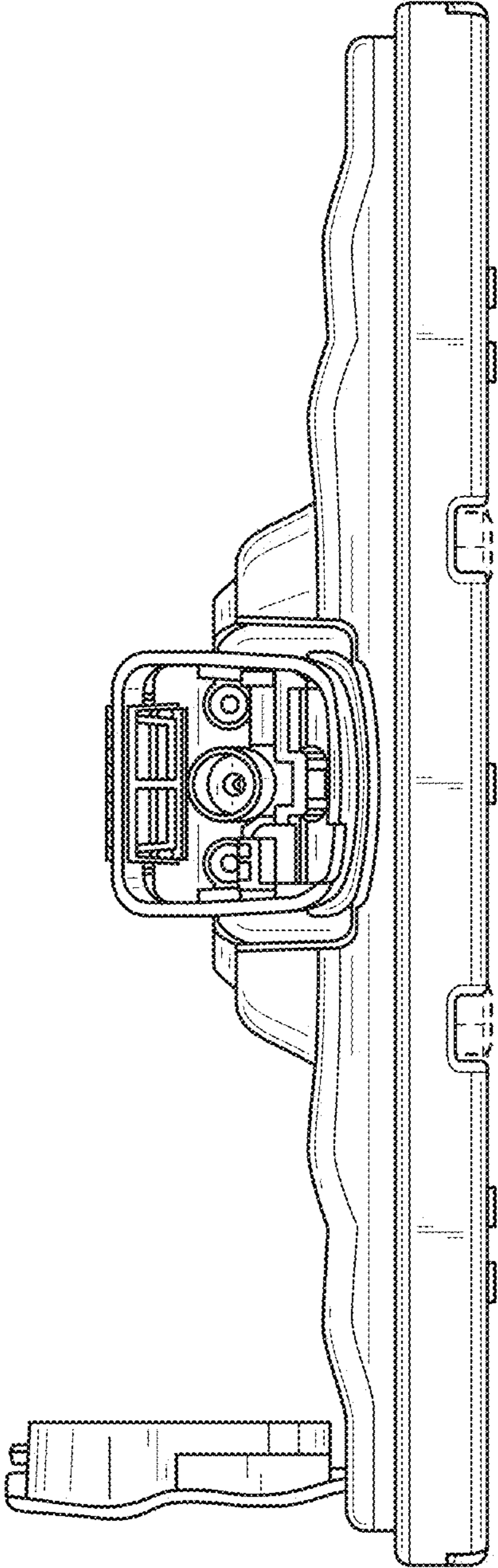


FIG. 13

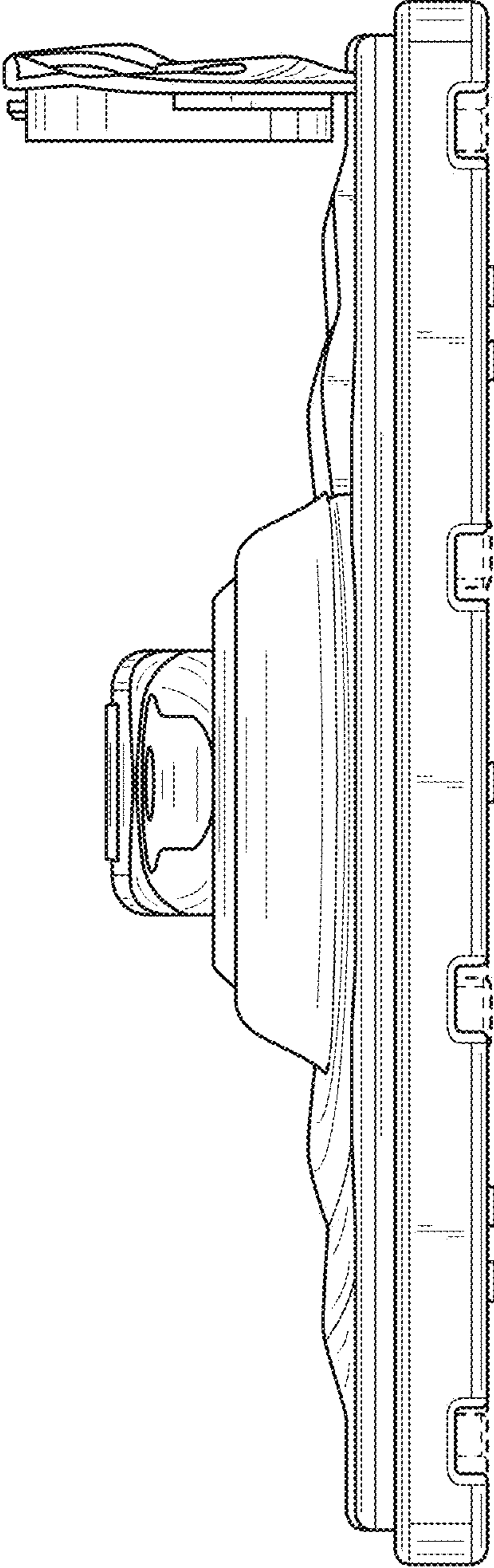


FIG. 14