



US00D742606S

(12) **United States Design Patent**
Carr et al.

(10) **Patent No.:** **US D742,606 S**
(45) **Date of Patent:** **** Nov. 3, 2015**

(54) **ACCESSORY TOOL**

(71) Applicant: **BISSELL Homecare, Inc.**, Grand Rapids, MI (US)
(72) Inventors: **Adam G. Carr**, Grand Rapids, MI (US); **Colin J. Bloemendaal**, Grand Rapids, MI (US)
(73) Assignee: **BISSELL Homecare, Inc.**, Grand Rapids, MI (US)
(**) Term: **14 Years**

(21) Appl. No.: **29/480,119**
(22) Filed: **Jan. 23, 2014**
(51) **LOC (10) Cl.** **15-05**
(52) **U.S. Cl.**
USPC **D32/32**
(58) **Field of Classification Search**
USPC D32/17-18, 31-34, 25, 40, 50;
D23/223
CPC E04H 4/1654; A47L 9/02; A47L 9/06;
A47L 9/0606; A47L 9/062; A47L 9/0633;
A47L 9/0693; A47L 11/4086; A47L 11/30;
A47L 7/009; A47L 7/0009; A47L 5/28;
A47L 5/36; A47L 13/225; A47L 13/20;
A47L 13/12; A47L 13/16; A47L 11/4044;
C11D 17/049; C23G 5/04; D06C 7/00;
D06F 75/30; D06F 87/00; B08B 3/02
See application file for complete search history.

(56) **References Cited**

U.S. PATENT DOCUMENTS

D443,741 S *	6/2001	Parr et al.	D32/32
D508,154 S *	8/2005	Carr	D32/32
D515,756 S *	2/2006	Allard et al.	D32/32
D590,112 S *	4/2009	Sun	D32/32
D590,554 S *	4/2009	Griffin	D32/32
D599,514 S *	9/2009	Knox et al.	D32/32
D621,109 S *	8/2010	Benequisto	D32/32
D621,112 S *	8/2010	Benacquisto	D32/33
D640,431 S *	6/2011	Houghton	D32/33
D674,978 S *	1/2013	Hill et al.	D32/32
D701,011 S *	3/2014	Miller et al.	D32/32
2007/0204427 A1 *	9/2007	Cho et al.	15/387

* cited by examiner

Primary Examiner — Ruth McInroy

(74) *Attorney, Agent, or Firm* — McGarry Bair PC

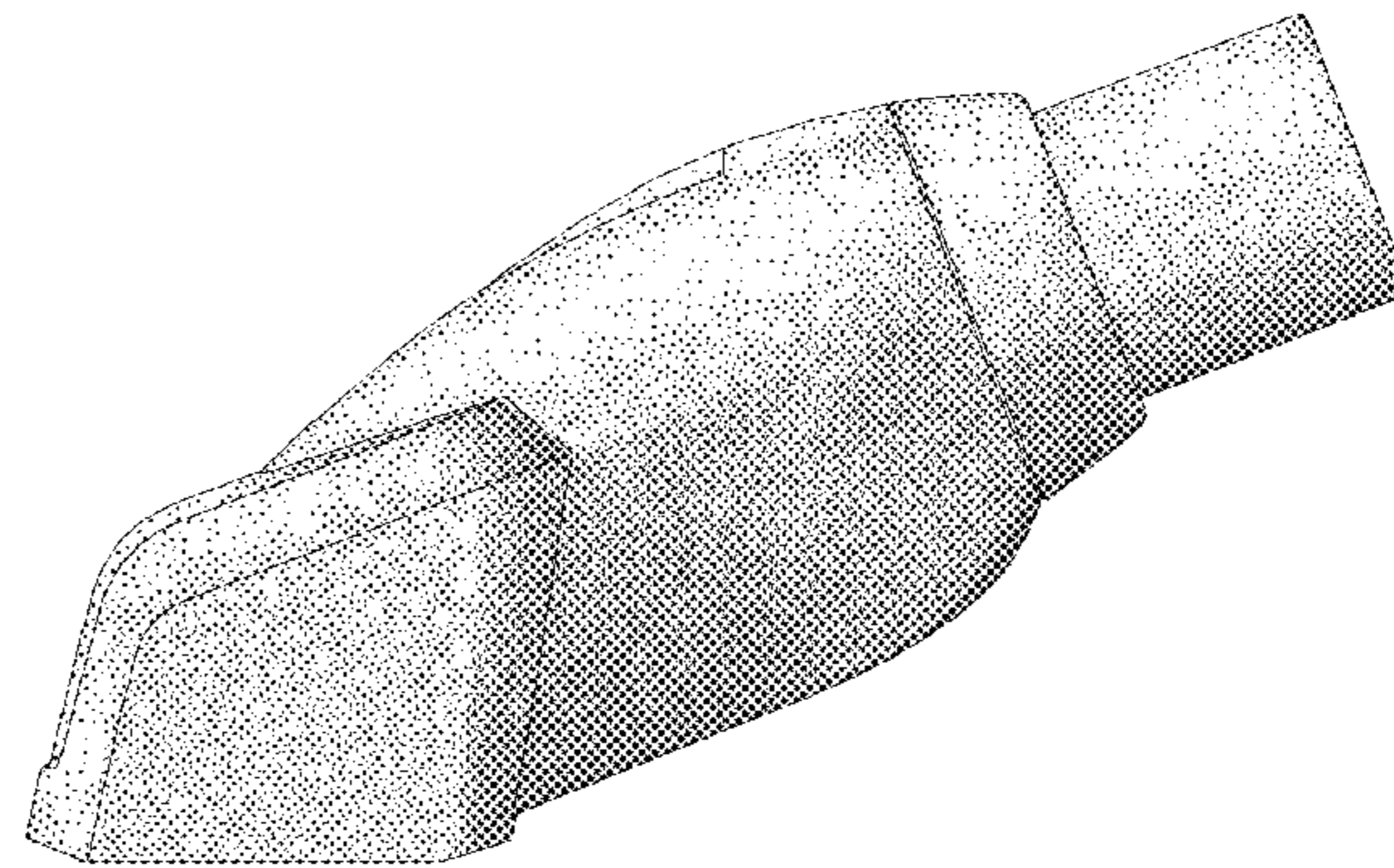
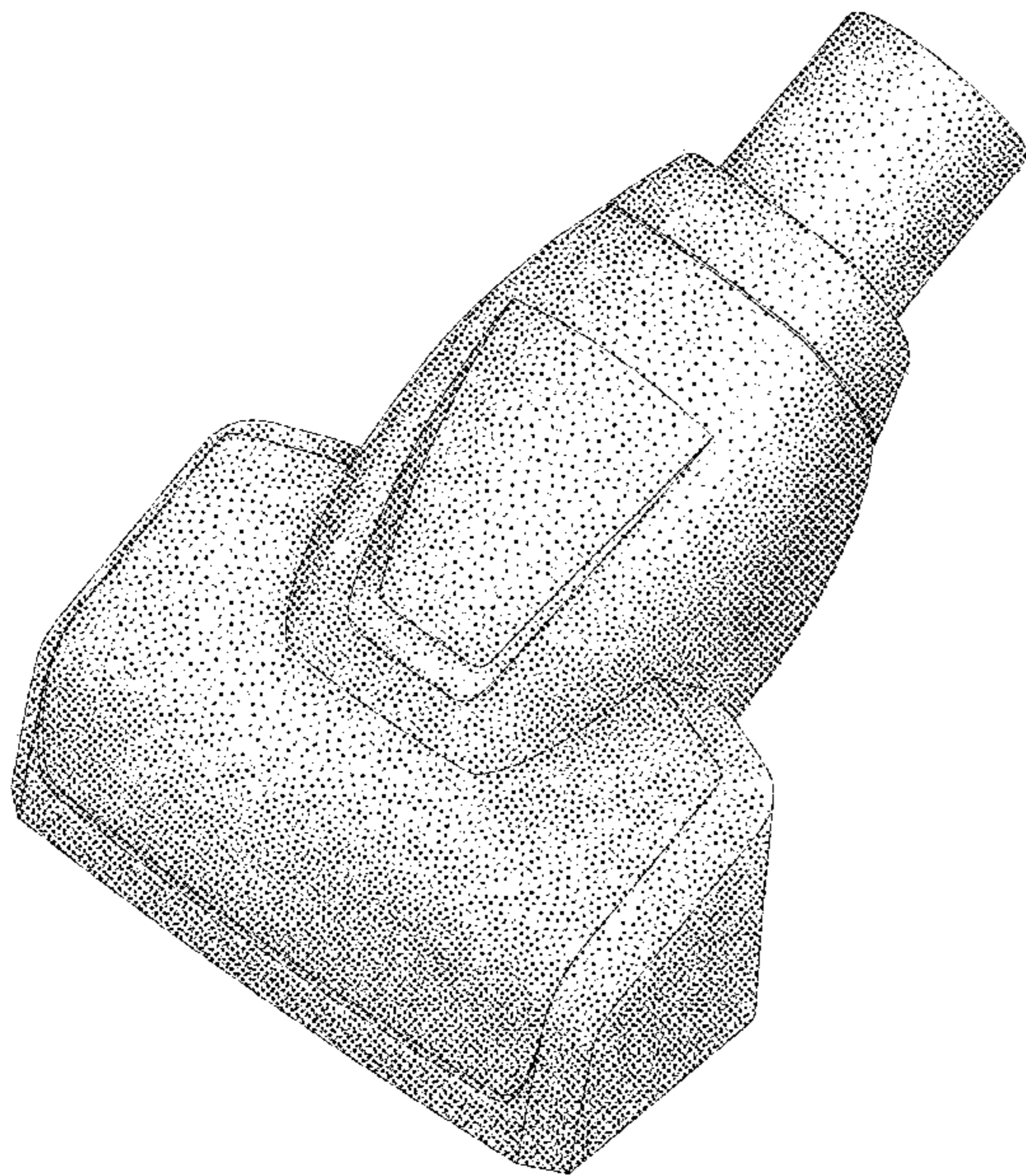
(57) **CLAIM**

The ornamental design for an accessory tool, as shown and described.

DESCRIPTION

FIG. 1 is a front and right-side perspective view an accessory tool showing our new design;
FIG. 2 is a front view thereof;
FIG. 3 is a rear view thereof;
FIG. 4 is a right side view thereof, the left side being a mirror image; and,
FIG. 5 is a top view thereof.

1 Claim, 3 Drawing Sheets



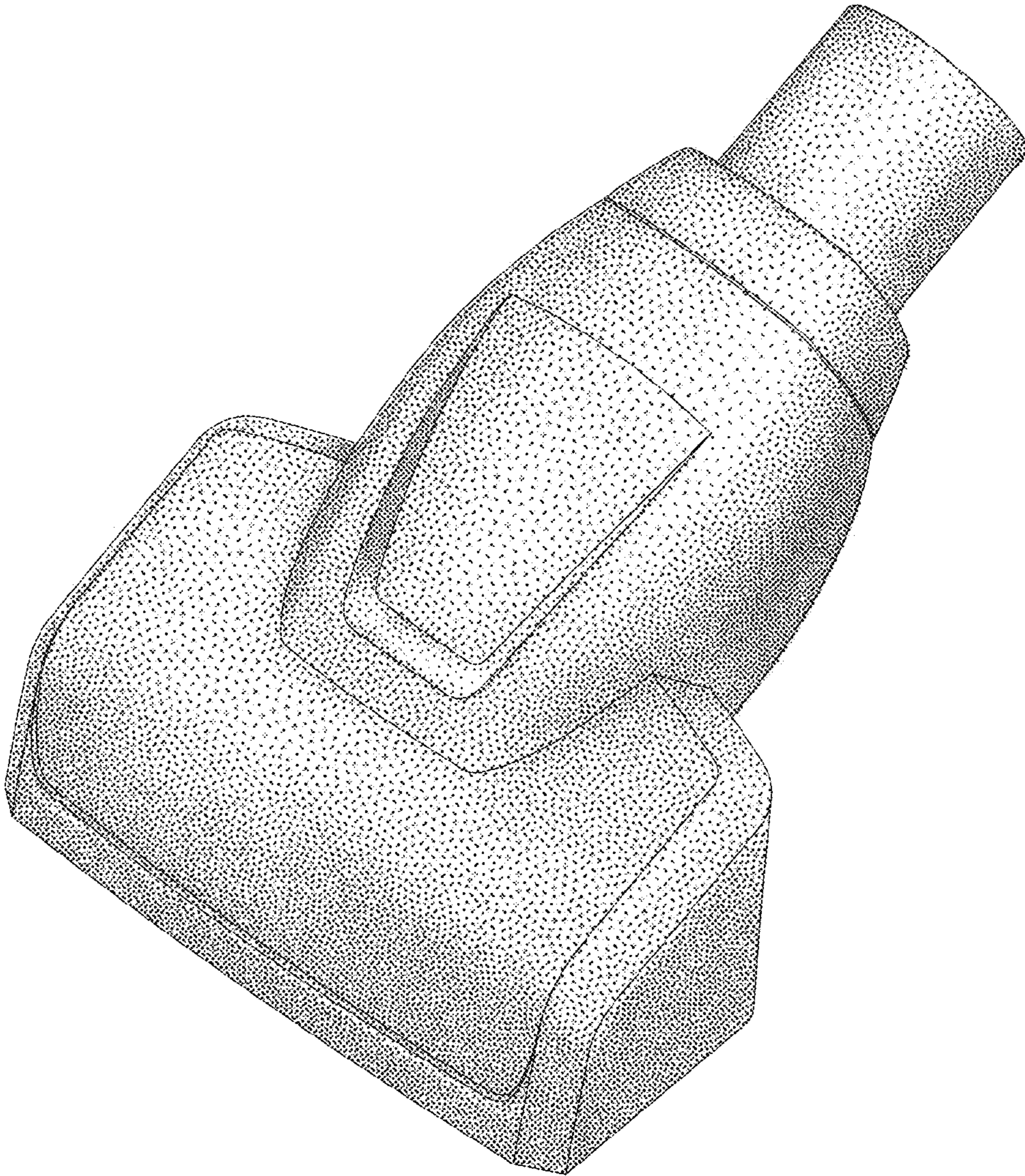


FIG. 1

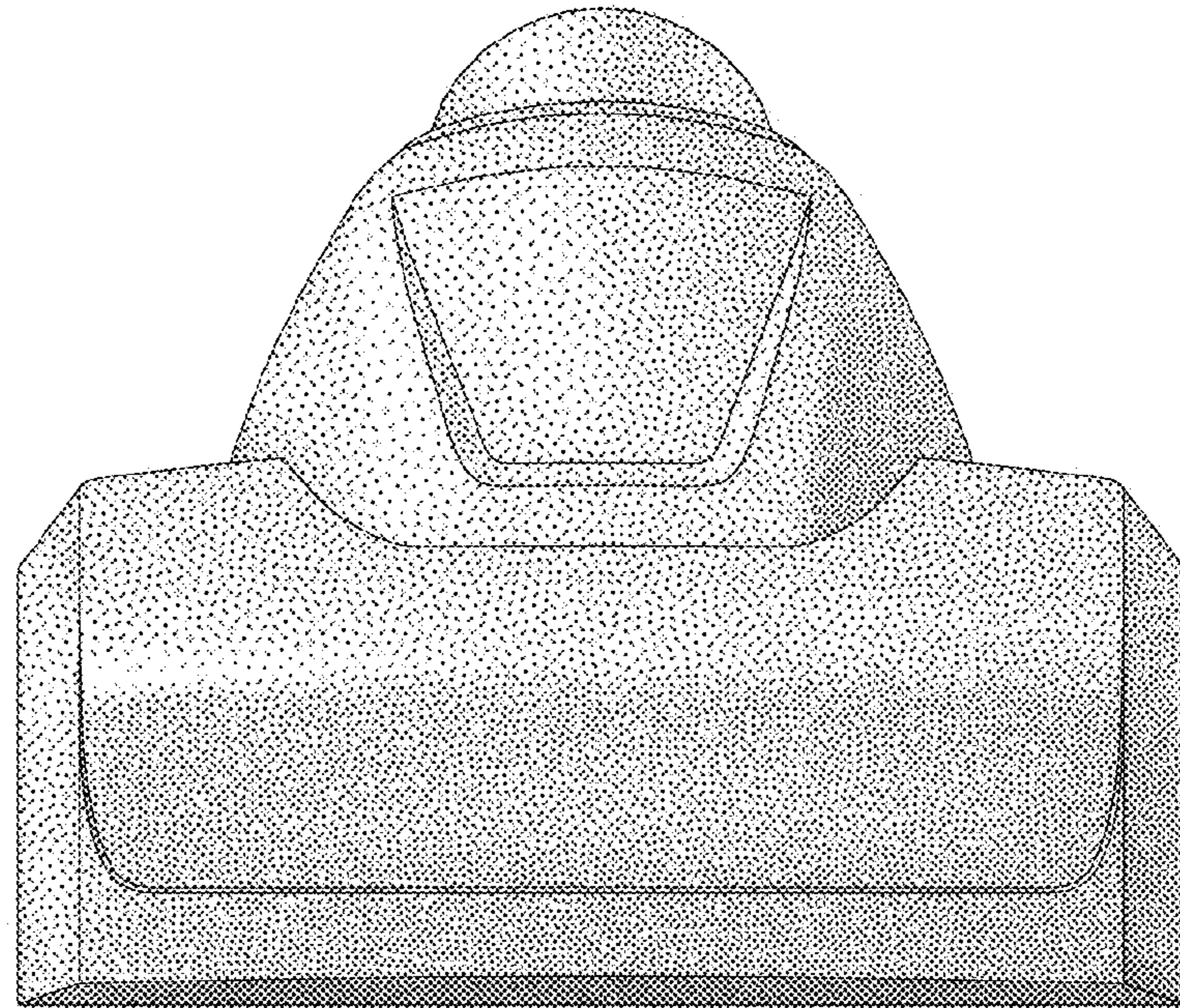


FIG. 2

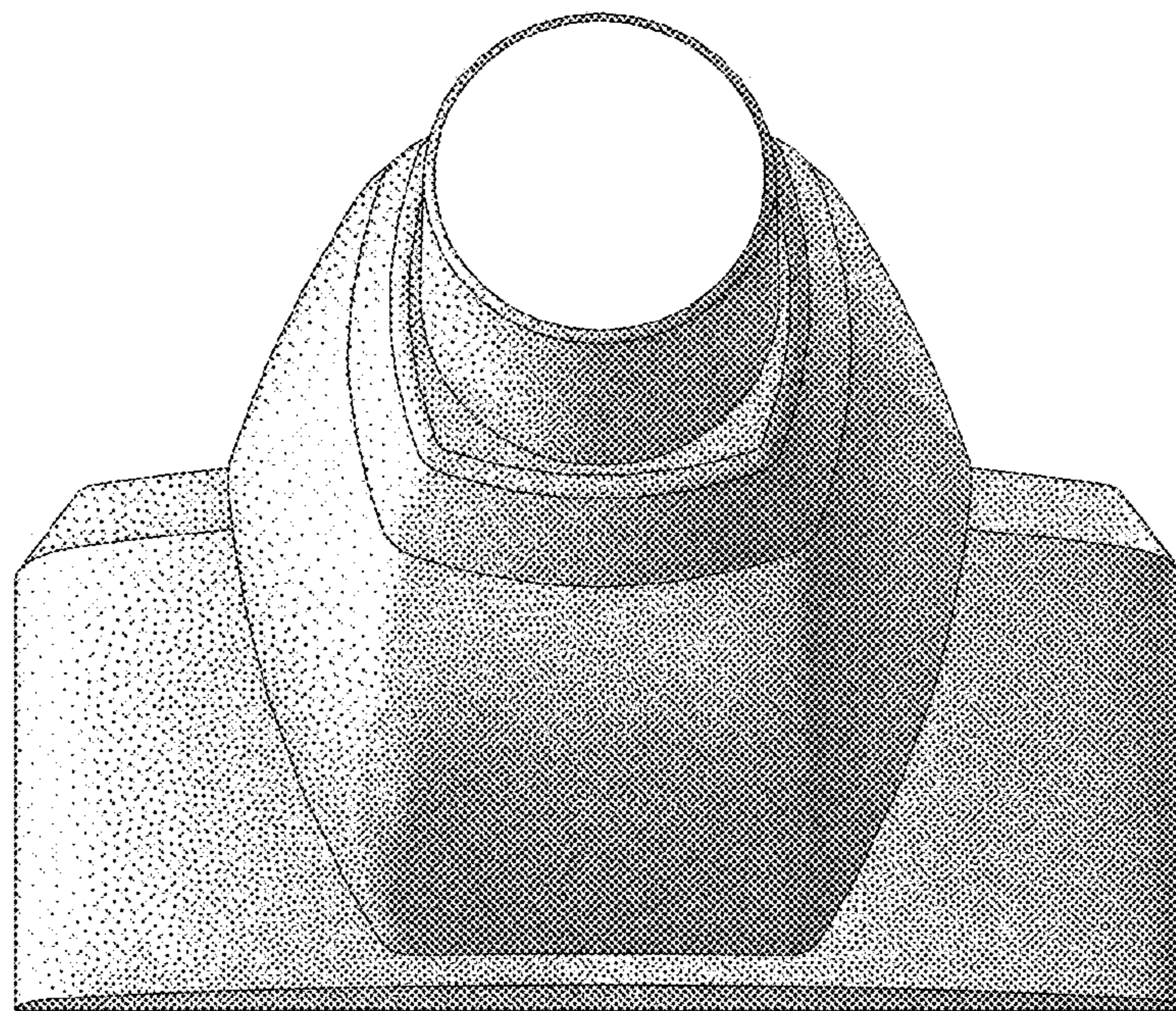


FIG. 3

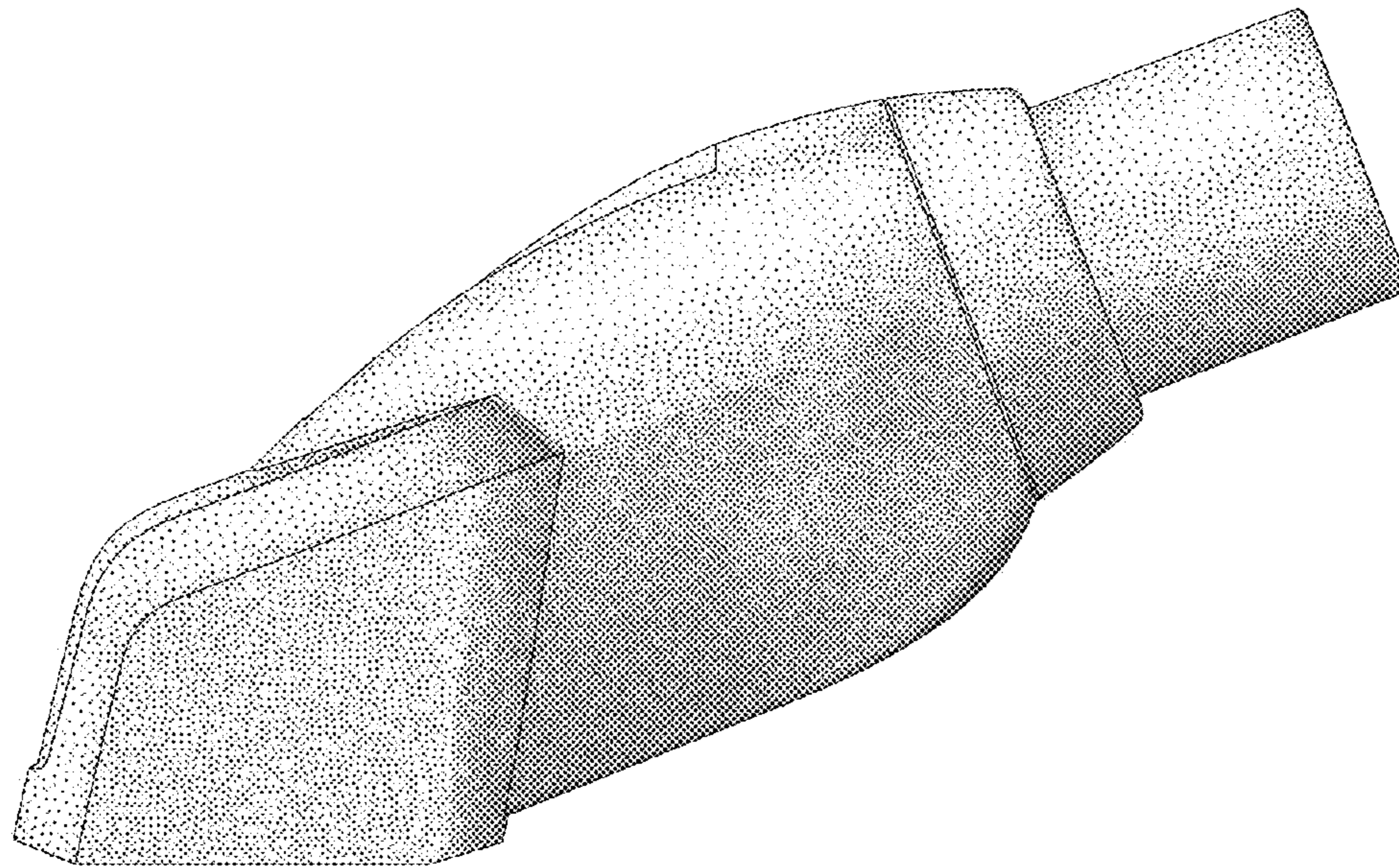


FIG. 4

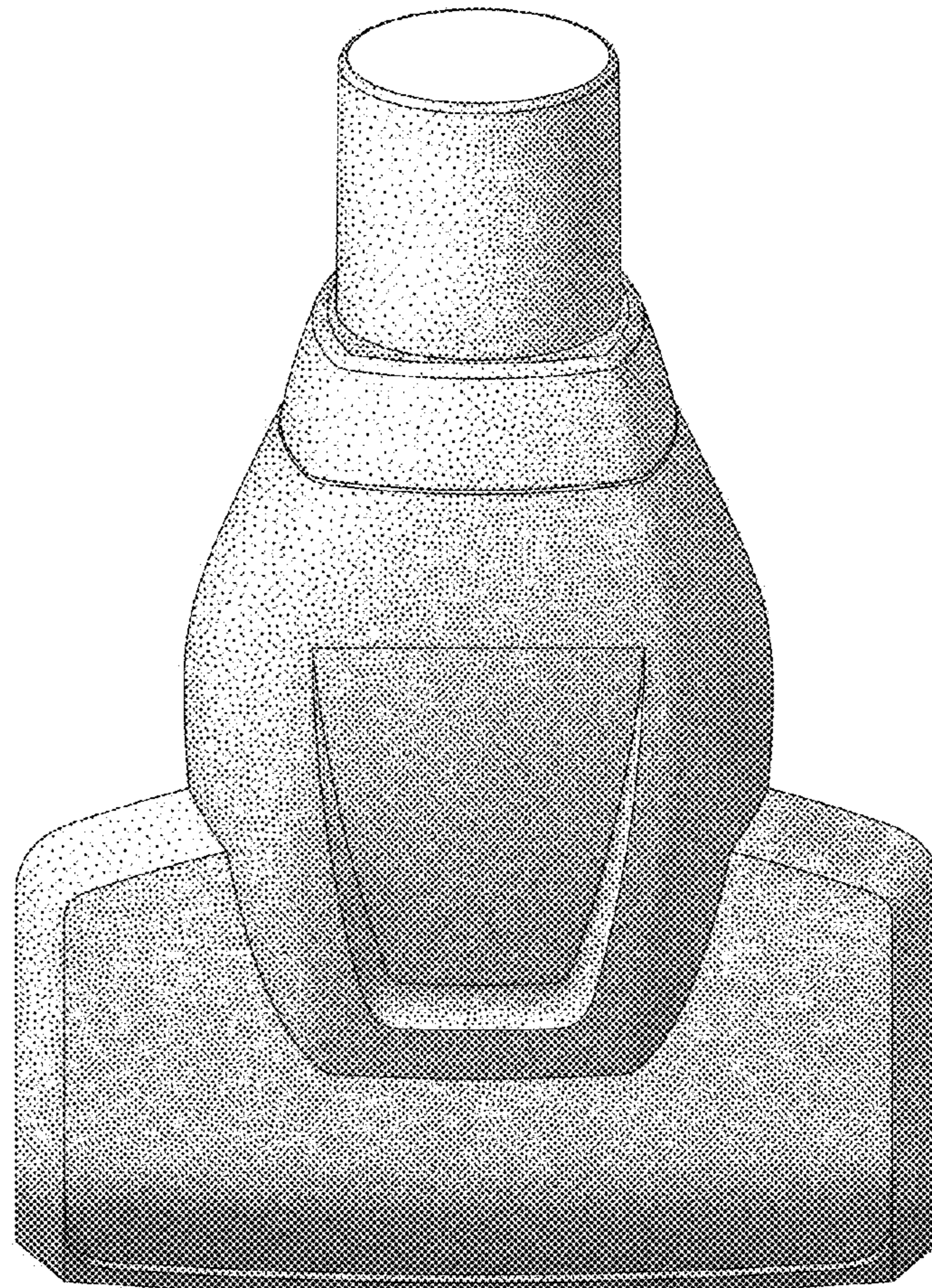


FIG. 5