



US00D742602S

(12) **United States Design Patent**  
**Kim**

(10) **Patent No.:** **US D742,602 S**  
(45) **Date of Patent:** **\*\* Nov. 3, 2015**

- (54) **WASHING MACHINE**
- (71) Applicant: **Samsung Electronics Co., Ltd.**,  
Suwon-si (KR)
- (72) Inventor: **Kang-Doo Kim**, Seoul (KR)
- (73) Assignee: **Samsung Electronics Co., Ltd.**,  
Suwon-si (KR)
- (\*\*) Term: **14 Years**
- (21) Appl. No.: **29/483,143**
- (22) Filed: **Feb. 26, 2014**
- (30) **Foreign Application Priority Data**

Sep. 2, 2013 (KR) ..... 30-2013-0045140

- (51) **LOC (10) Cl.** ..... **15-05**
- (52) **U.S. Cl.**  
USPC ..... **D32/6**
- (58) **Field of Classification Search**  
USPC ..... D32/1, 25, 29, 5-6, 8  
CPC ..... D06F 58/00; D06F 58/02; D06F 58/04;  
D06F 58/20; D06F 33/02; D06F 39/02;  
D06F 2204/065; D06F 25/00; D06F 35/006  
See application file for complete search history.

(56) **References Cited**

**U.S. PATENT DOCUMENTS**

D642,753	S *	8/2011	Ha	.....	D32/6
8,056,172	B2 *	11/2011	Schneider et al.	.....	8/159
D653,006	S *	1/2012	Takahashi	.....	D32/6
D658,340	S *	4/2012	Jeon et al.	.....	D32/6
8,555,676	B2 *	10/2013	Beck et al.	.....	68/3 R
D697,276	S *	1/2014	Yeol et al.	.....	D32/25
D698,109	S *	1/2014	Yeol et al.	.....	D32/25
D699,905	S *	2/2014	Yeol et al.	.....	D32/25
D705,505	S *	5/2014	Ha et al.	.....	D32/25
2013/0014546	A1 *	1/2013	Kobayashi et al.	.....	68/212

**FOREIGN PATENT DOCUMENTS**

JP	1377367	1/2010
JP	1437757	4/2013
KR	30-0441662	S 2/2007

RU	82090 S	6/2012
RU	85274 S	5/2013

**OTHER PUBLICATIONS**

Russian Office Action issued with respect to corresponding Russian Application No. 2014500811, mailed Nov. 21, 2014 (6 pages, in English and Russian).

\* cited by examiner

*Primary Examiner* — T. Chase Nelson  
*Assistant Examiner* — Michelle E Wilson  
(74) *Attorney, Agent, or Firm* — NSIP Law

(57) **CLAIM**

I claim the ornamental design for a washing machine, as shown and described.

**DESCRIPTION**

FIG. 1 is a front perspective view of a washing machine showing my new design;  
FIG. 2 is a front view thereof;  
FIG. 3 is a rear view thereof;  
FIG. 4 is a left-side view thereof;  
FIG. 5 is a right-side view thereof;  
FIG. 6 is a top view thereof;  
FIG. 7 is a bottom view thereof;  
FIG. 8 is an enlarged cross-sectional view taken through line 8-8 of FIG. 4; and,  
FIG. 9 is an enlarged cross-sectional view taken through line 9-9 of FIG. 4.

The broken lines in the figures show portions of the washing machine which form no part of the claimed design.  
The dot-dash broken lines encircling portions of the claimed design that are illustrated in enlargements form no part of the claimed design.

**1 Claim, 9 Drawing Sheets**

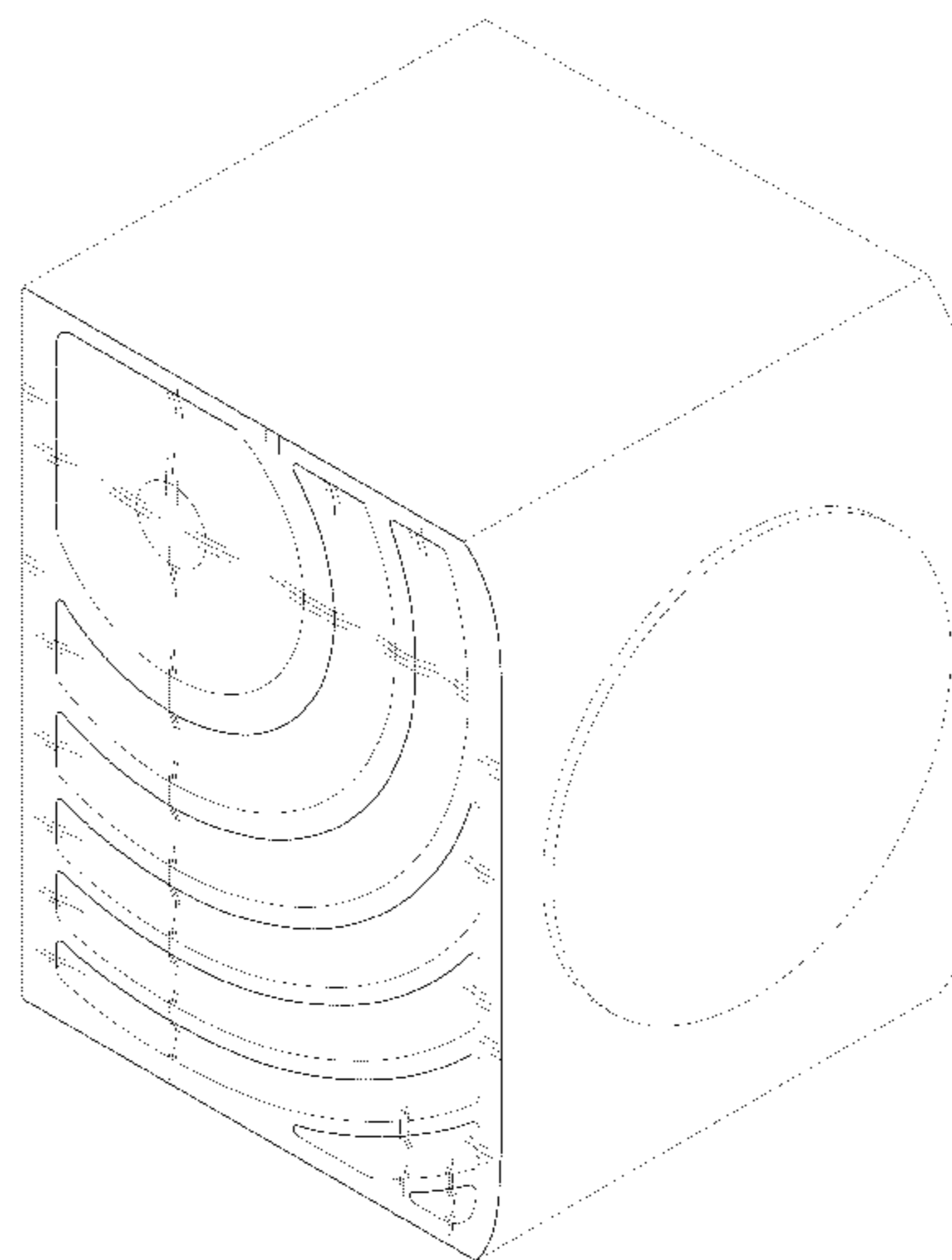


FIG. 1

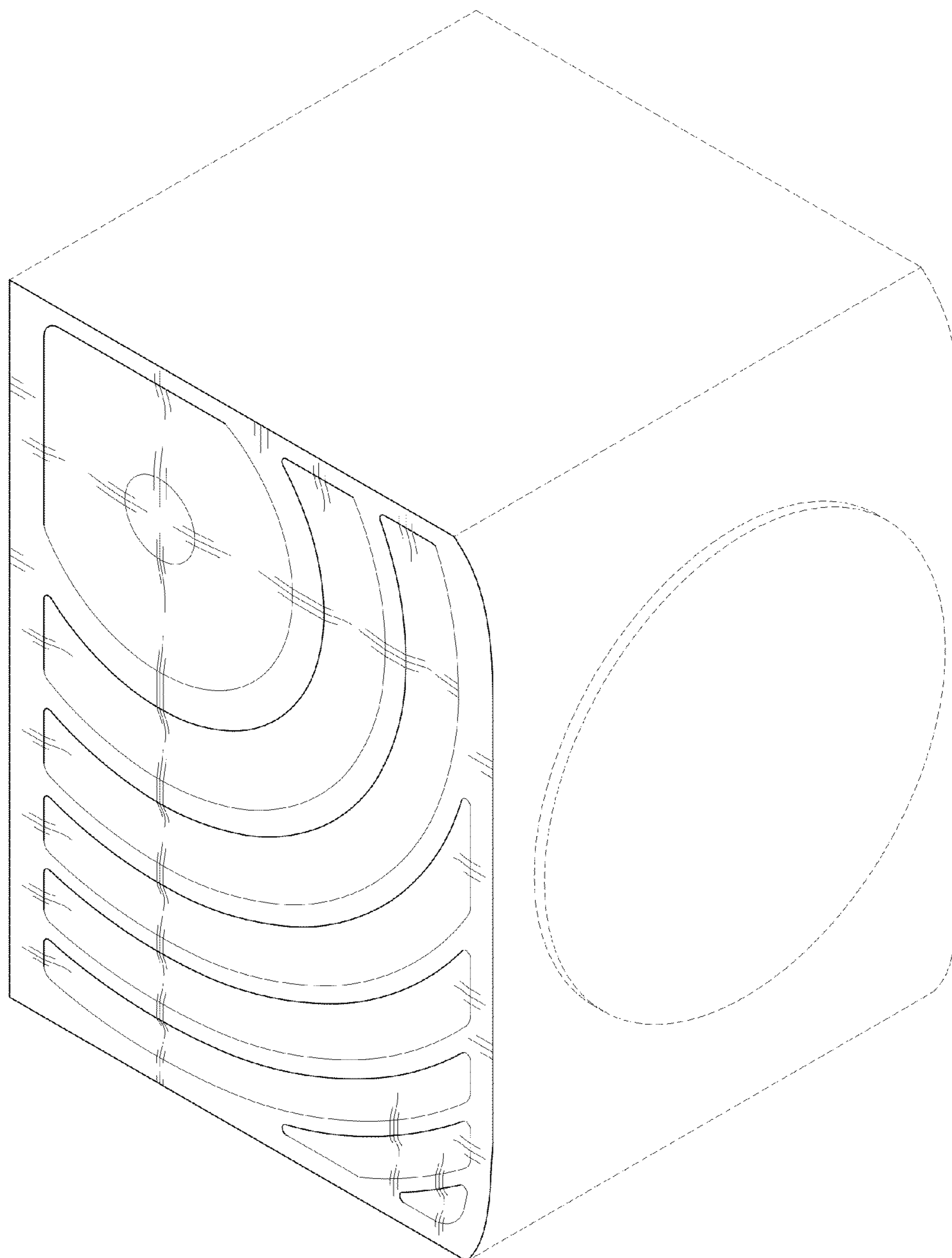
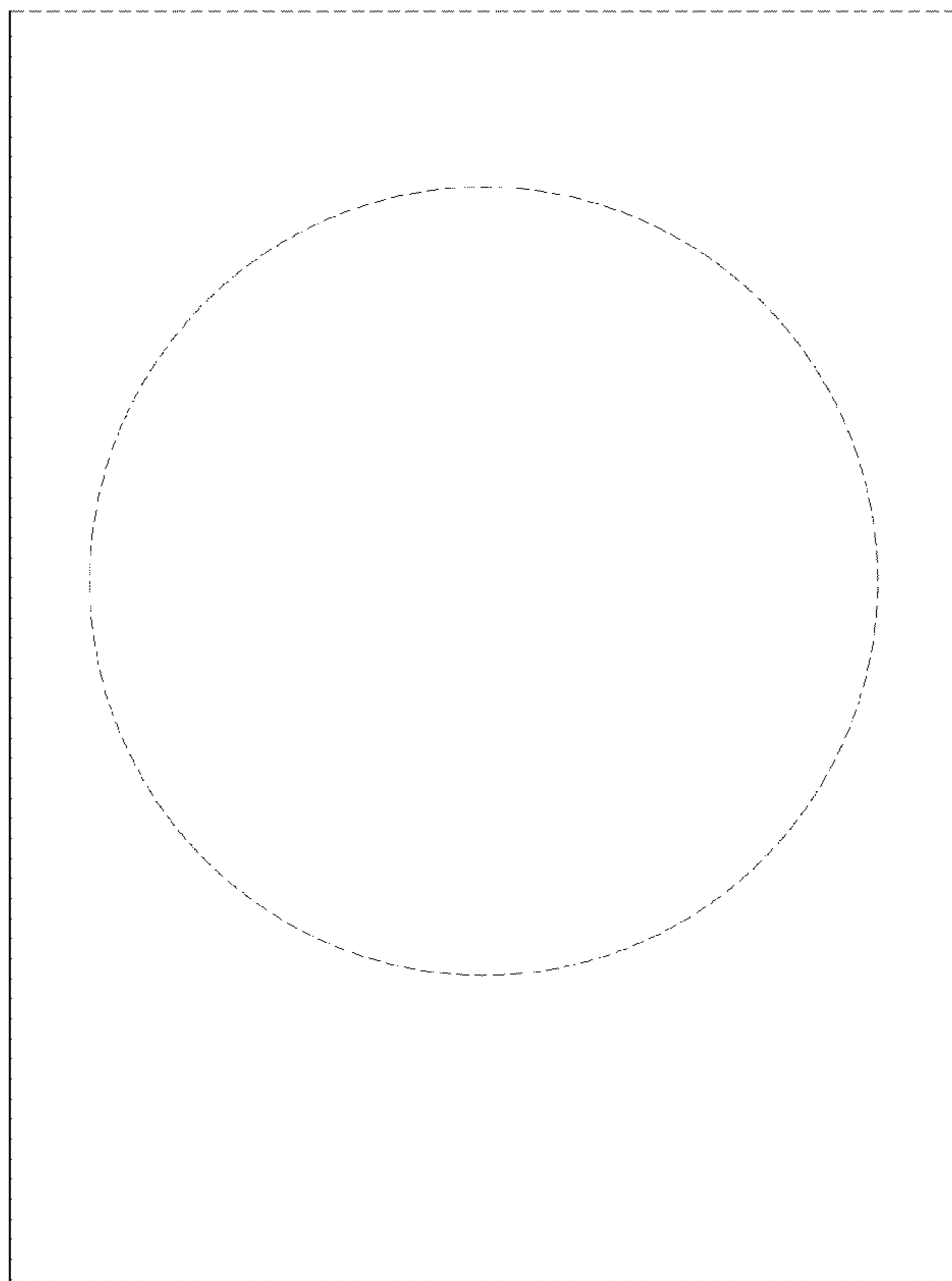


FIG. 2



**FIG. 3**



FIG. 4

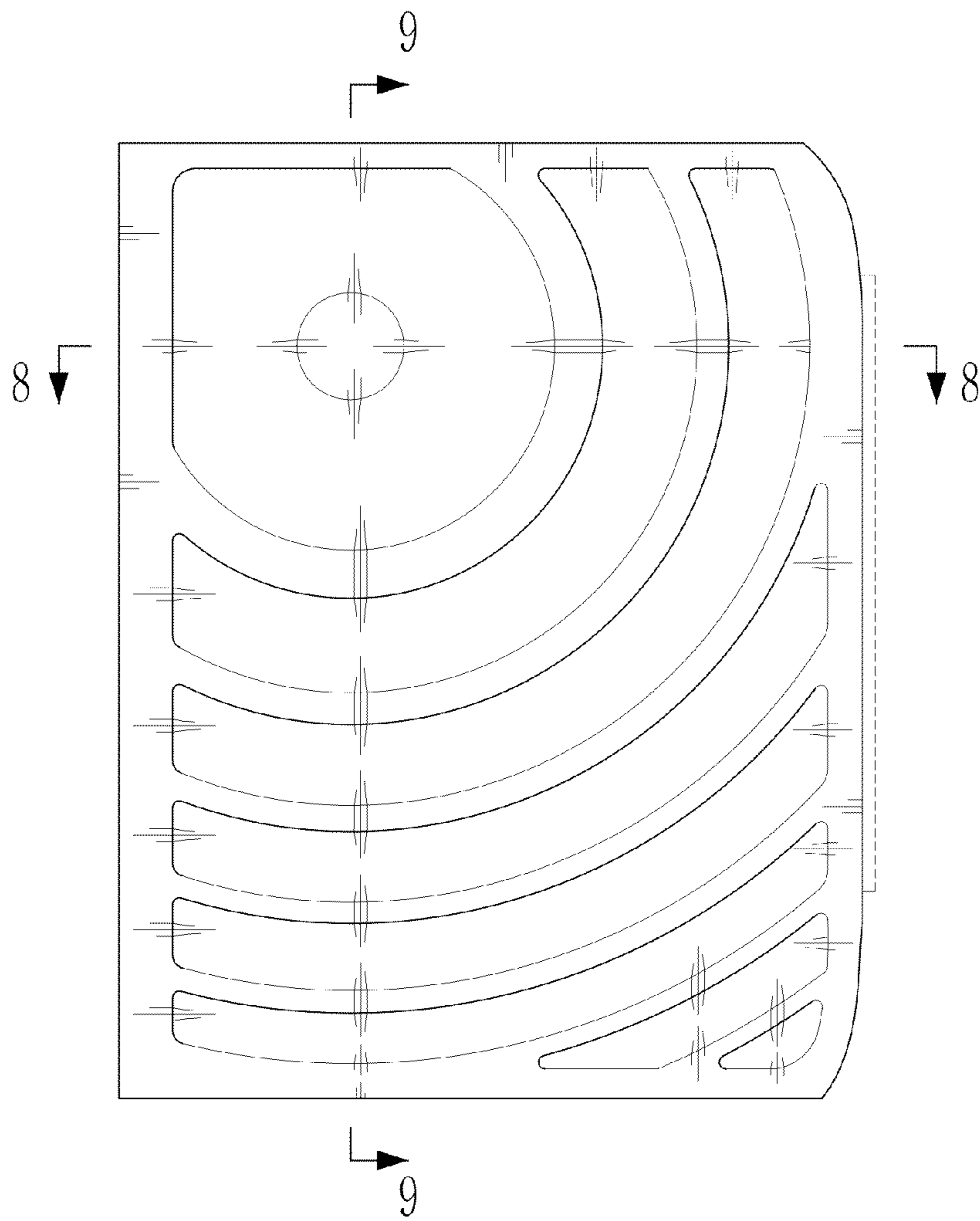


FIG. 5

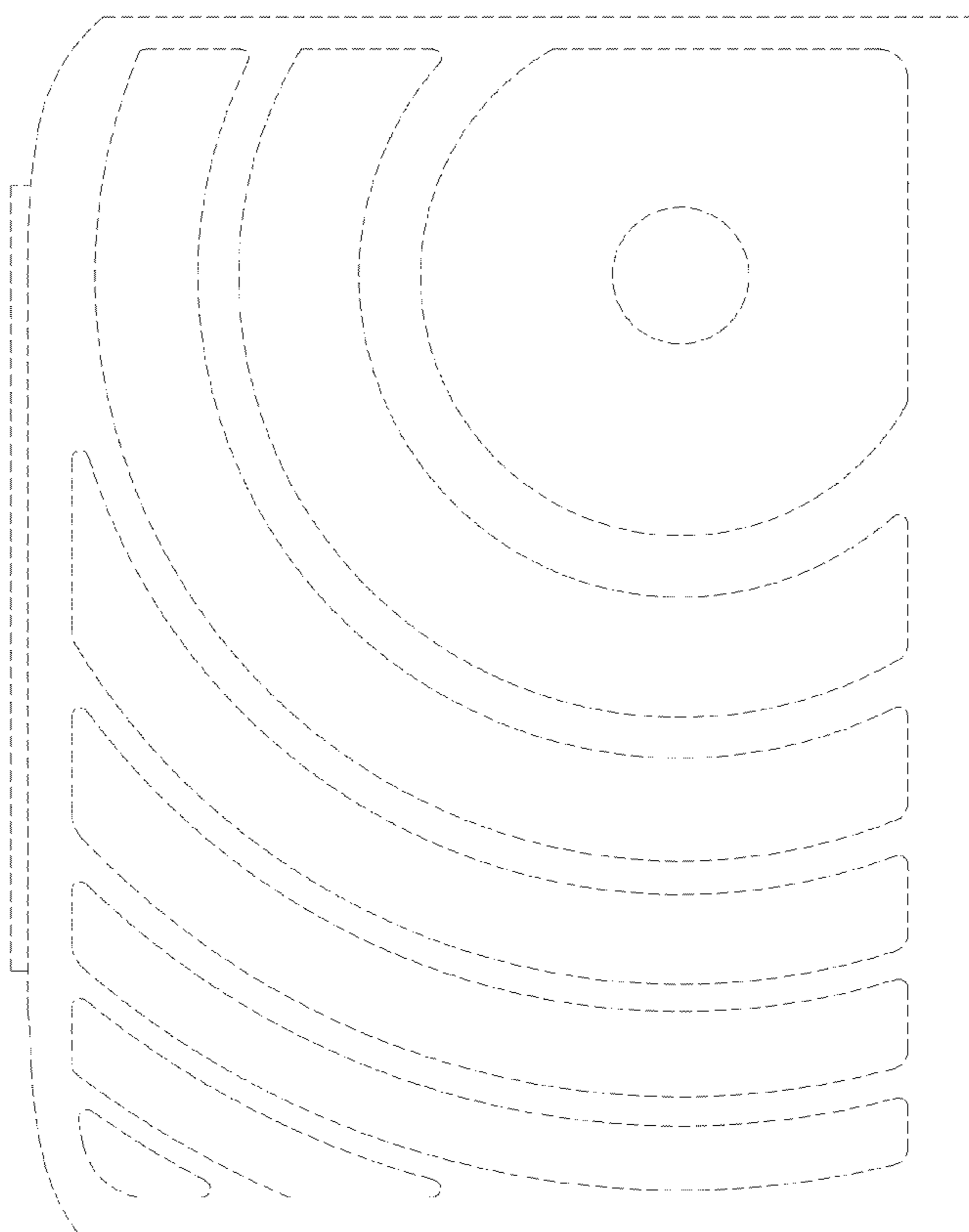


FIG. 6

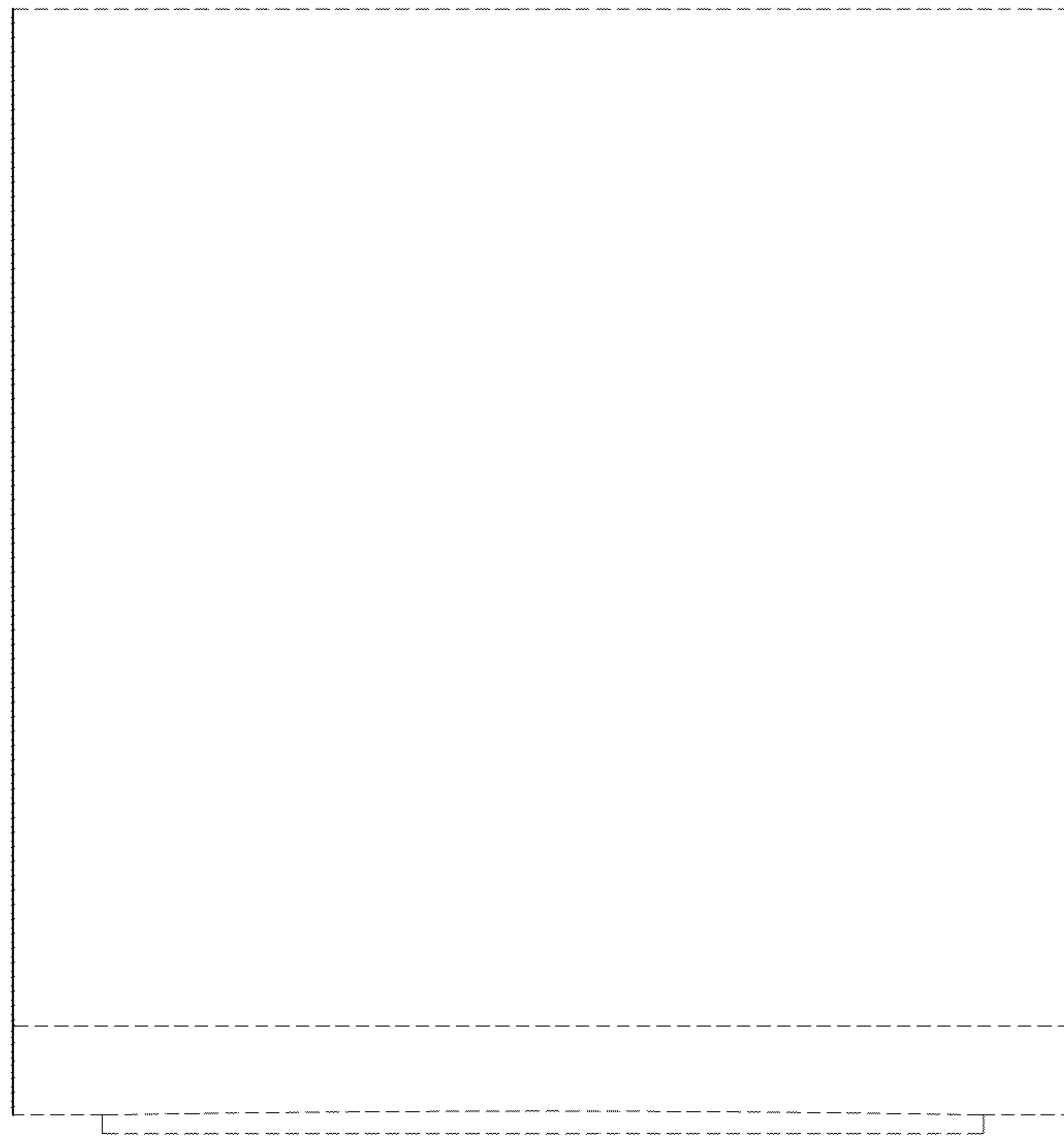


FIG. 7





FIG. 8

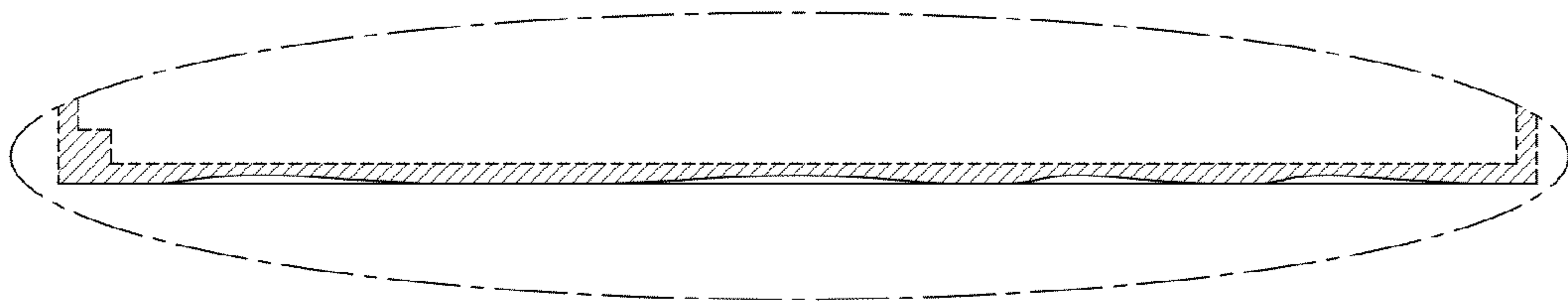


FIG. 9

