



US00D742599S

(12) **United States Design Patent**
Peng

(10) **Patent No.:** **US D742,599 S**
(45) **Date of Patent:** **** Nov. 3, 2015**

(54) **PROTECTIVE HELMET**

(71) Applicant: **Chien-Chih Peng**, Irvine, CA (US)

(72) Inventor: **Chien-Chih Peng**, Irvine, CA (US)

(**) Term: **14 Years**

(21) Appl. No.: **29/482,302**

(22) Filed: **Feb. 17, 2014**

(51) **LOC (10) Cl.** **09-03**

(52) **U.S. Cl.**
USPC **D29/102**

(58) **Field of Classification Search**
USPC D29/102-107, 122
CPC A42B 1/066; A42B 3/228; A42B 3/08;
A42B 3/32; A42B 3/00; A42B 3/166; A42B
3/222; A42B 3/16; A42B 3/20; A42B 3/227;
A42B 3/105; A42B 3/22; A42B 3/04; A42B
3/06; A63B 71/10

See application file for complete search history.

(56) **References Cited**

U.S. PATENT DOCUMENTS

2,931,042	A *	4/1960	Austin	2/418
D277,425	S *	2/1985	Higginson	D29/104
D300,275	S *	3/1989	Sjogren et al.	D29/104
5,193,226	A *	3/1993	Mortenson	2/422
D370,308	S *	5/1996	Nilsson	D29/102
5,996,125	A *	12/1999	Garzone	2/410

D433,776	S *	11/2000	Scanlon	D29/102
D498,880	S *	11/2004	Jones	D29/104
D574,113	S *	7/2008	Lee	D29/102
D575,457	S *	8/2008	Ho et al.	D29/102
D602,640	S *	10/2009	Ho	D29/102
D602,641	S *	10/2009	Ho	D29/102
D602,644	S *	10/2009	Ho	D29/102
D648,899	S *	11/2011	Westerdal	D29/102
D667,590	S *	9/2012	Williams	D29/102
D695,460	S *	12/2013	Slater et al.	D29/102
D705,492	S *	5/2014	Zhu et al.	D29/102

* cited by examiner

Primary Examiner — Ruth McInroy

(74) *Attorney, Agent, or Firm* — Che-Yang Chen; Law Office of Michael Chen

(57) **CLAIM**

The ornamental design for a protective helmet, as shown and described.

DESCRIPTION

FIG. 1 is a perspective view of the protective helmet showing my new design;

FIG. 2 is a front elevational view thereof;

FIG. 3 is a rear elevational view thereof;

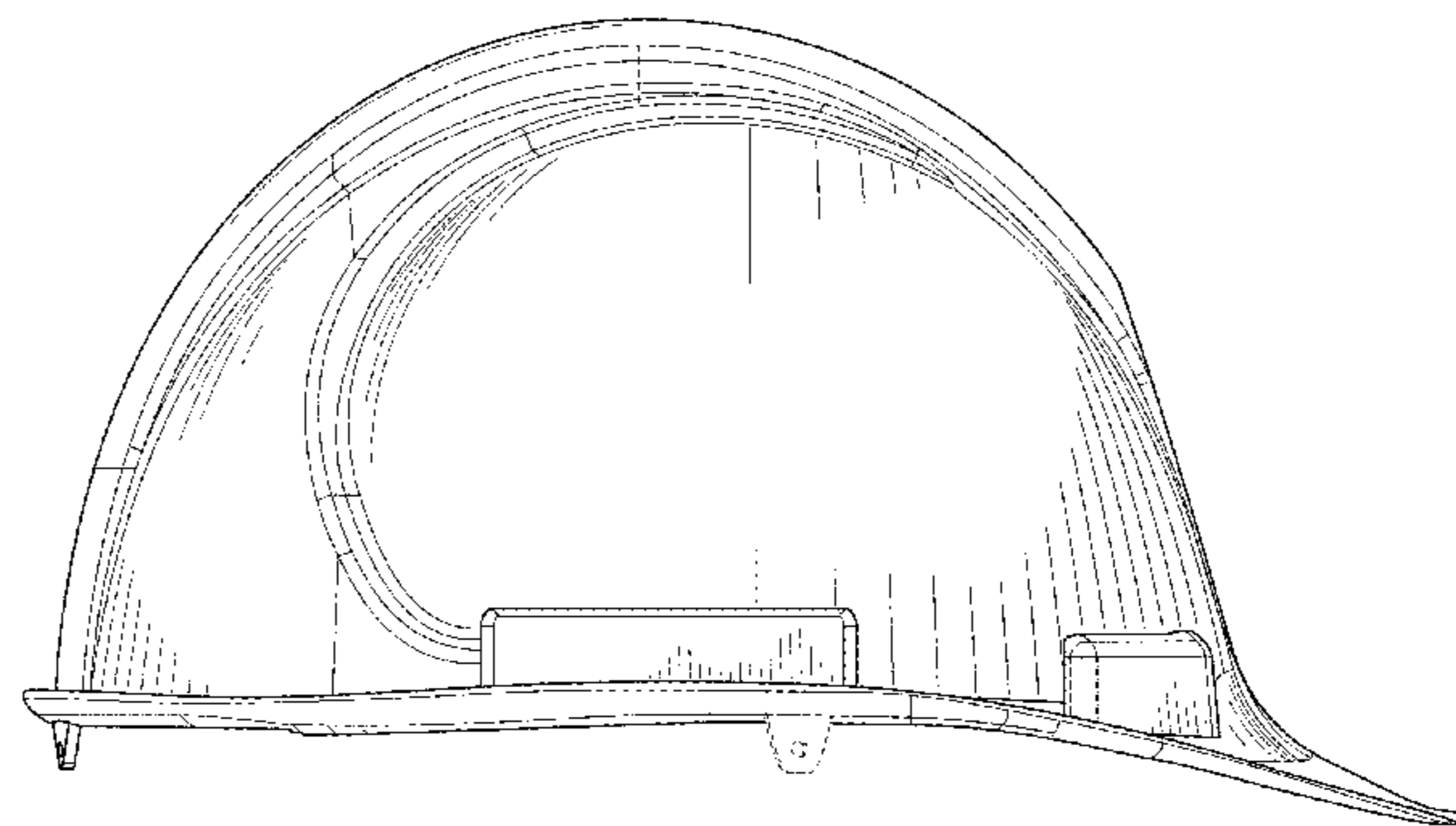
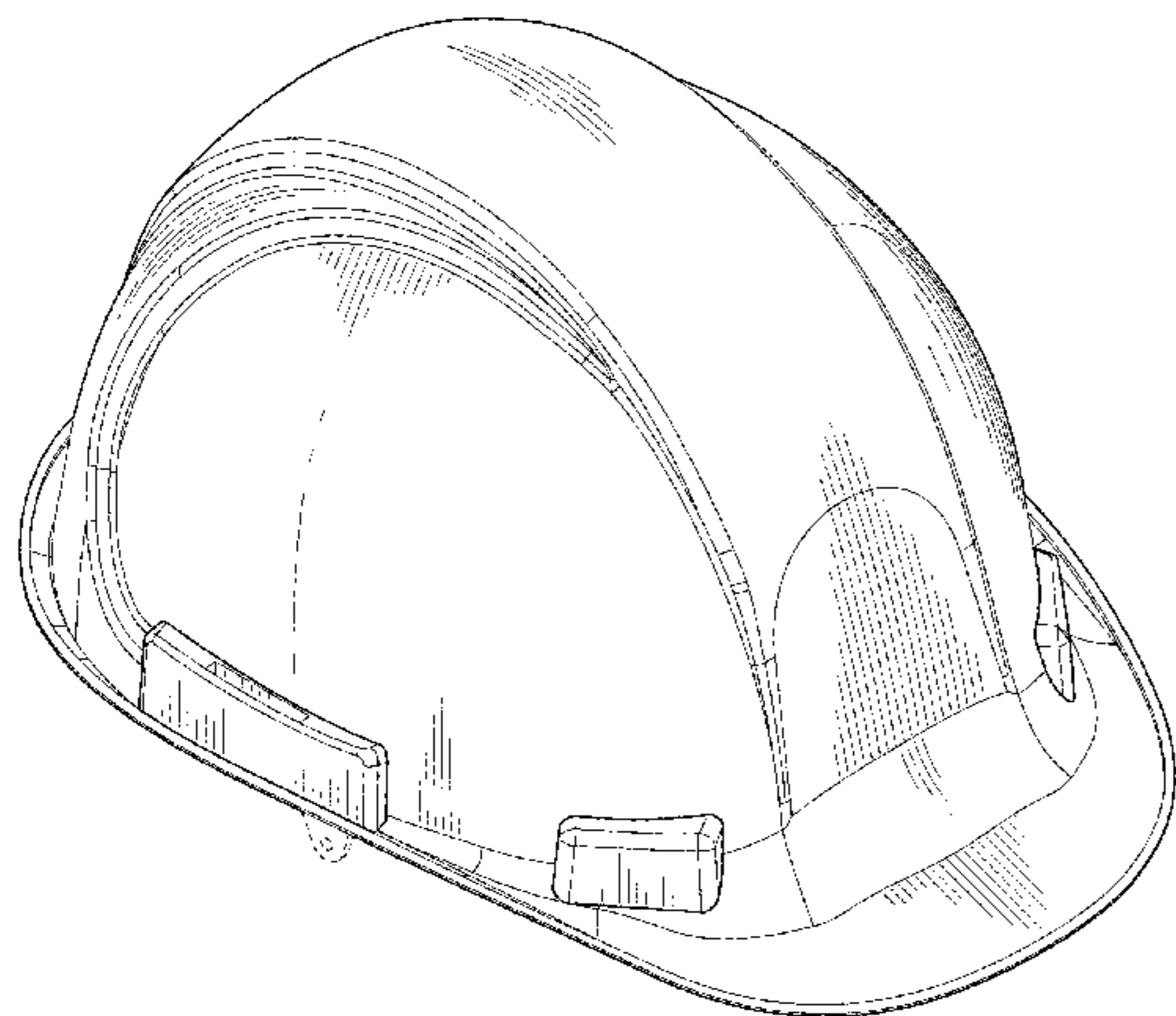
FIG. 4 is a left side elevational view thereof;

FIG. 5 is a right side elevational thereof;

FIG. 6 is a top plan view thereof; and,

FIG. 7 is a bottom plan view thereof.

1 Claim, 7 Drawing Sheets



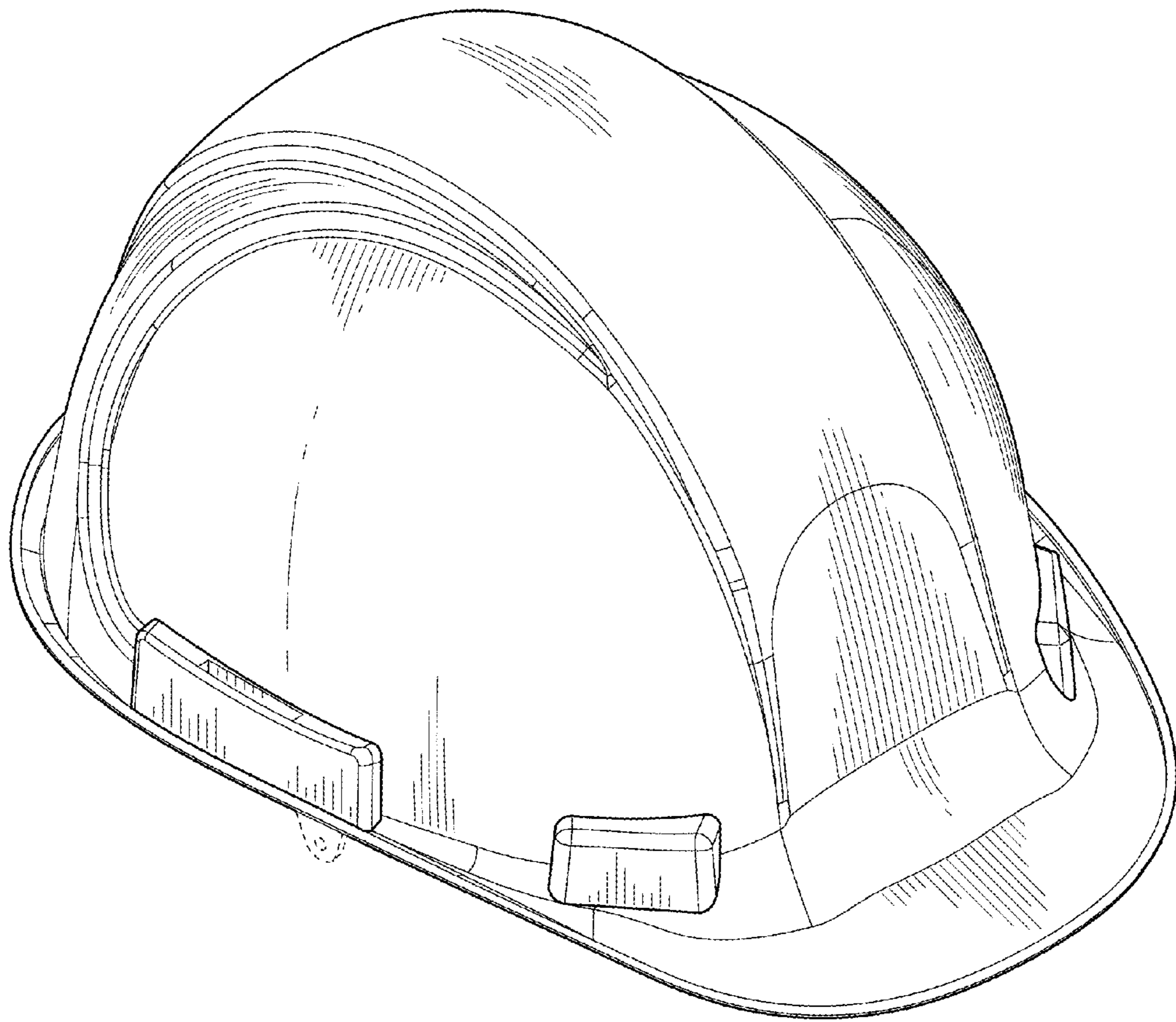


FIG. 1

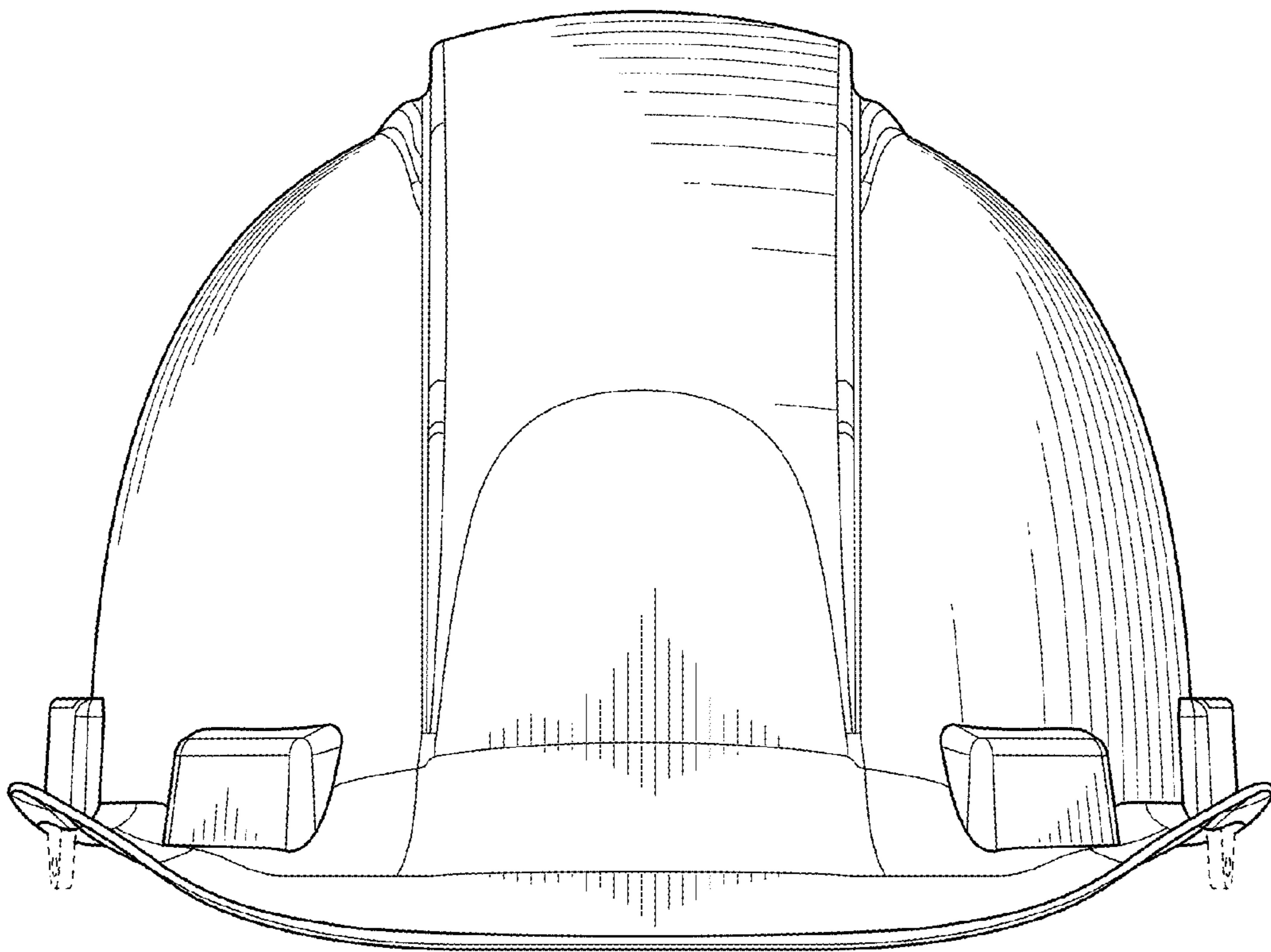


FIG. 2

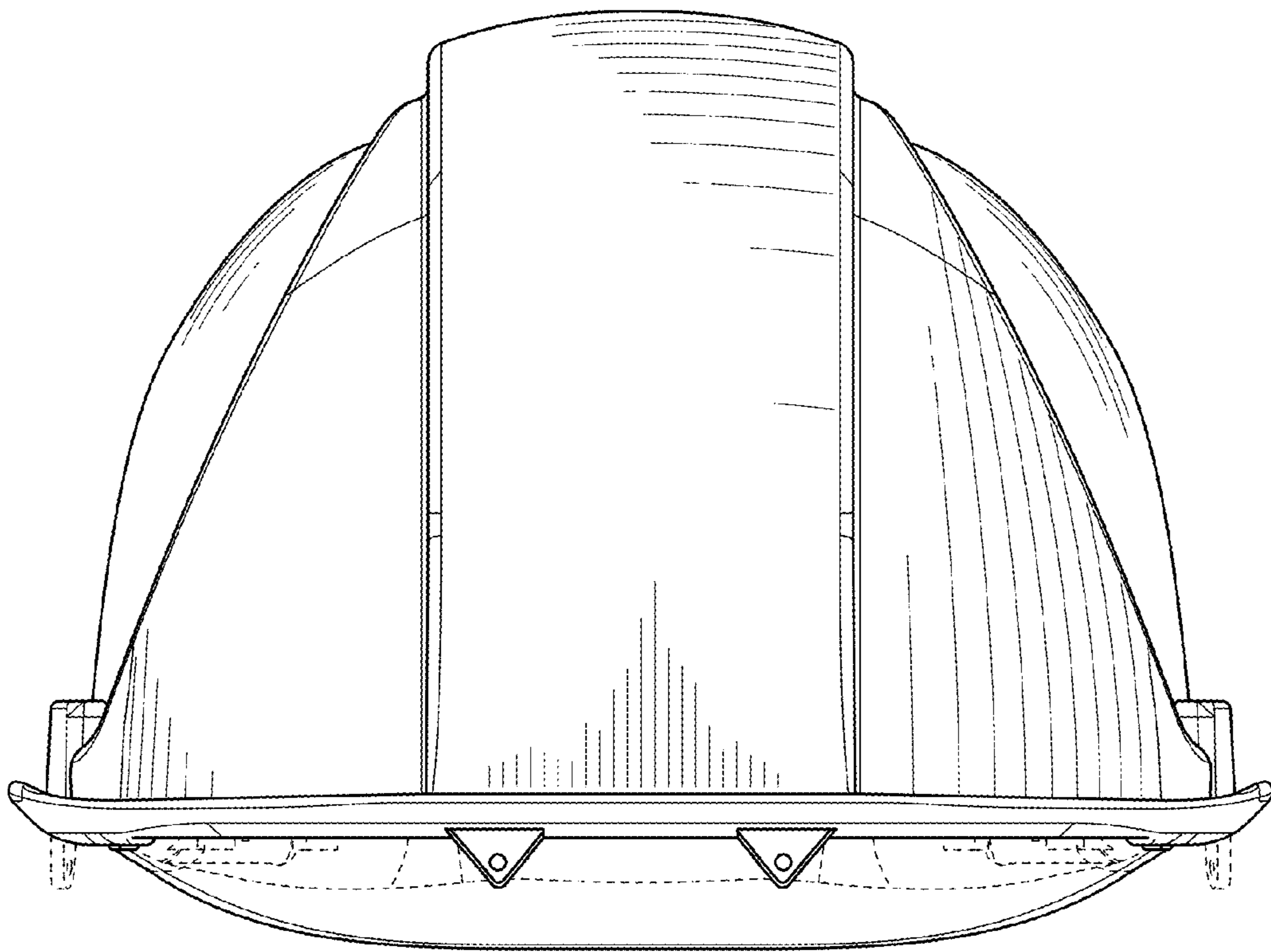


FIG. 3

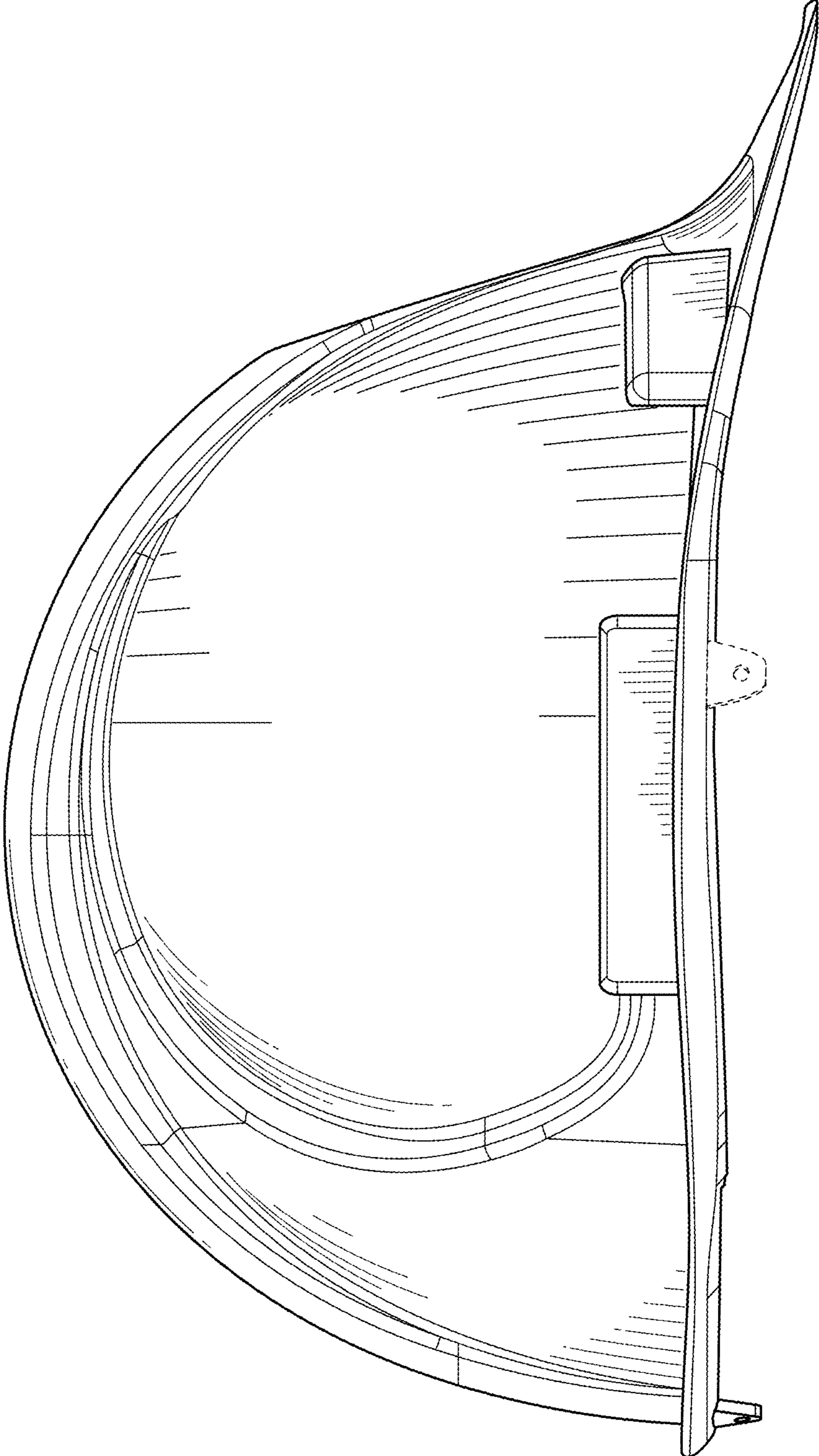


FIG. 4

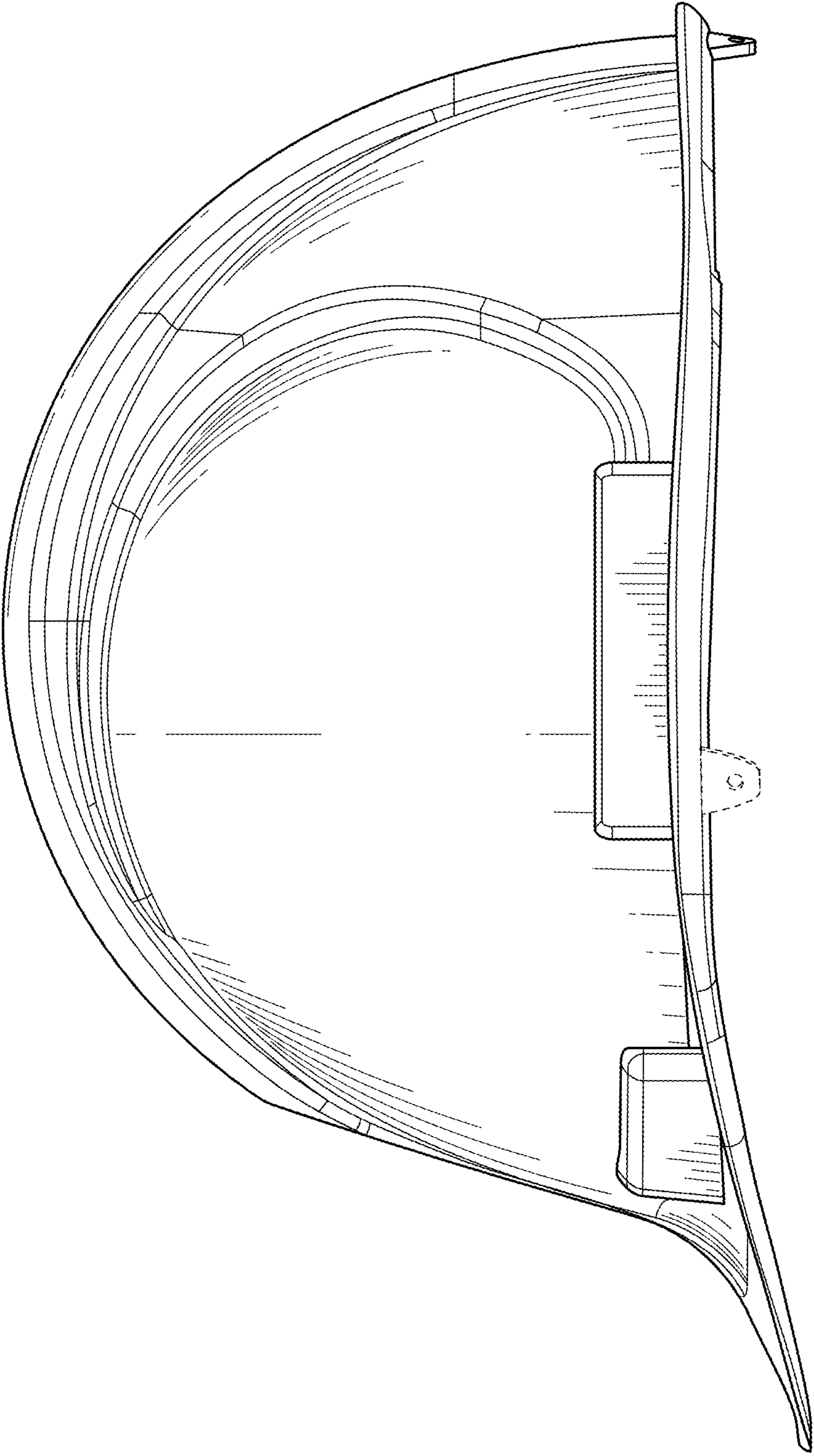


FIG. 5

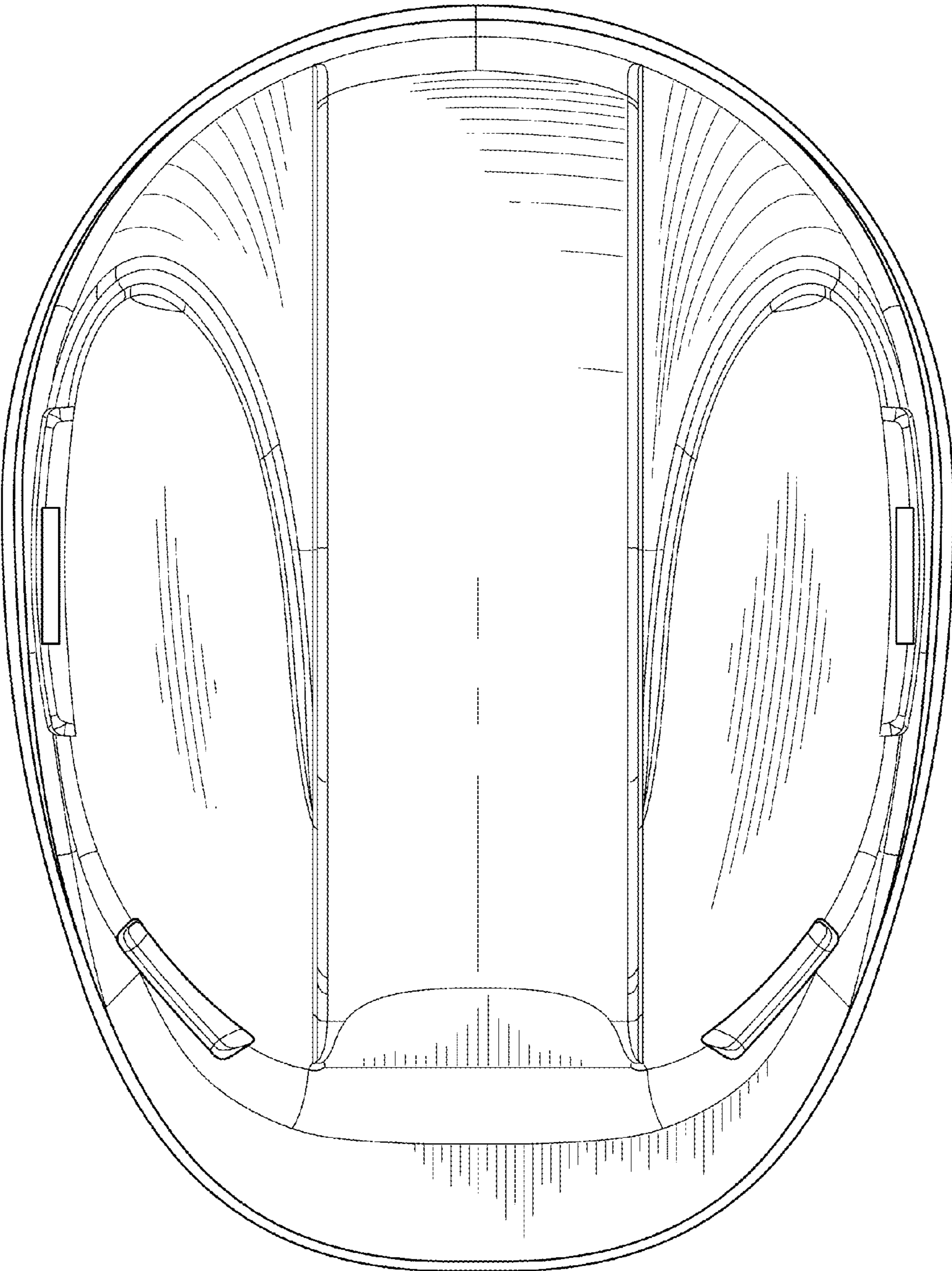


FIG. 6

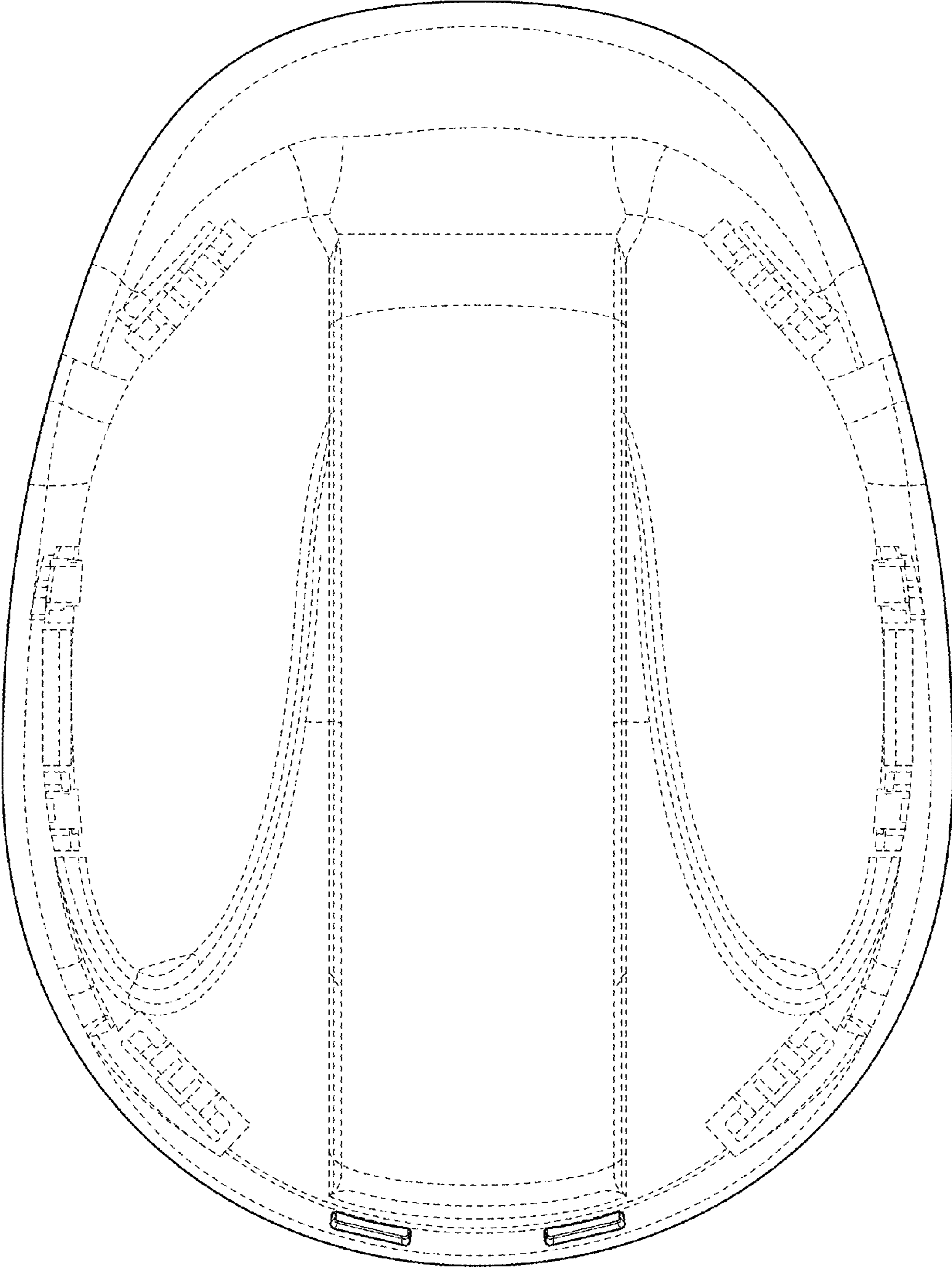


FIG. 7